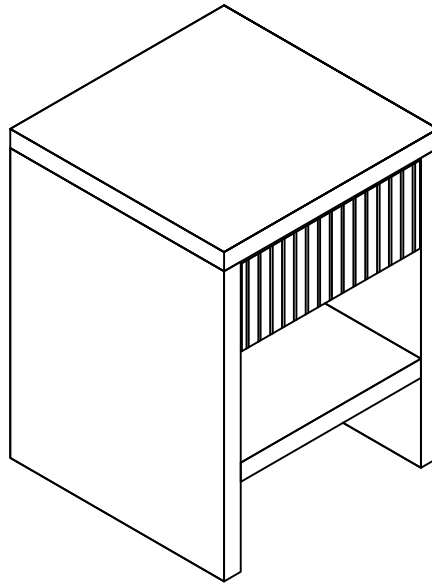


# Bedside Table

## INSTALLATION INSTRUCTIONS



Thank you for your purchase.

Please follow the instructions below for correct assembly.

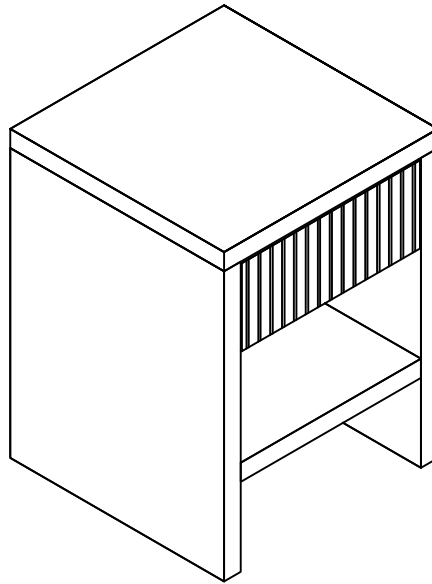
▲ For higher efficiency, we recommend to use a power drill; the power drill should be set on the low speed to avoid screw stripping.

### CAUTION

This package contains small parts and hardware; keep it from children to avoid accidental swallowing.

# Bedside Table

## INSTALLATION INSTRUCTIONS



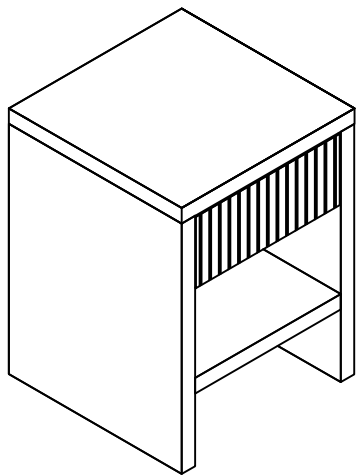
Thank you for your purchase.

Please follow the instructions below for correct assembly.

▲ For higher efficiency, we recommend to use a power drill; the power drill should be set on the low speed to avoid screw stripping.

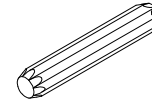
### CAUTION

This package contains small parts and hardware; keep it from children to avoid accidental swallowing.

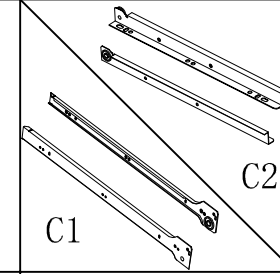


A1

A2



Φ8\*30



C1

C2



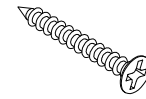
Φ3.5\*14

Ax18

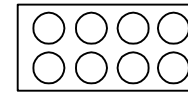
Bx10

Cx1

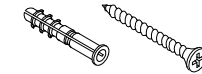
Dx8



Φ3.5\*35



Fx18

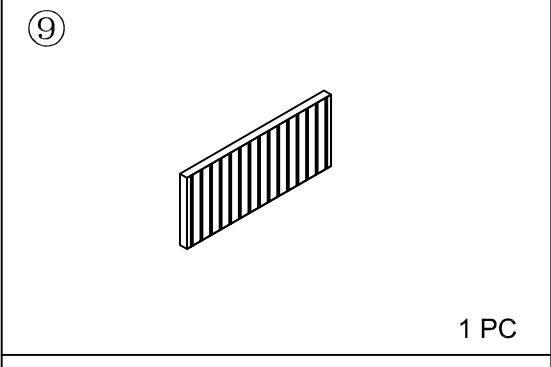
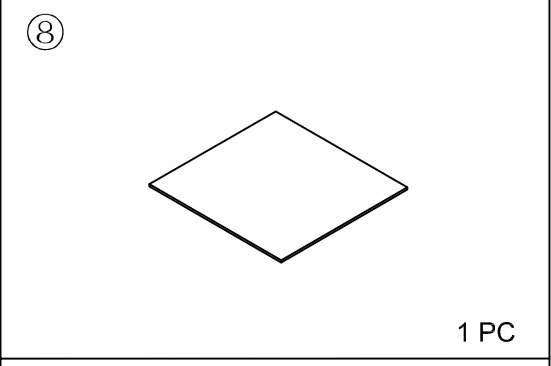
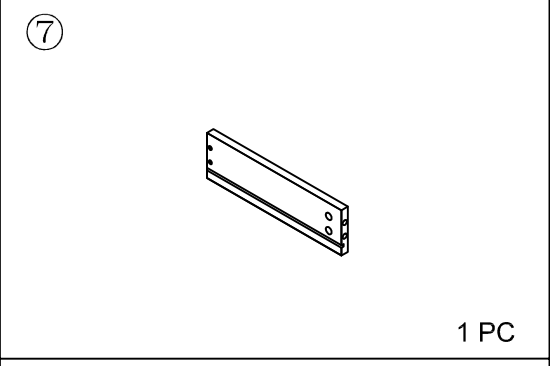
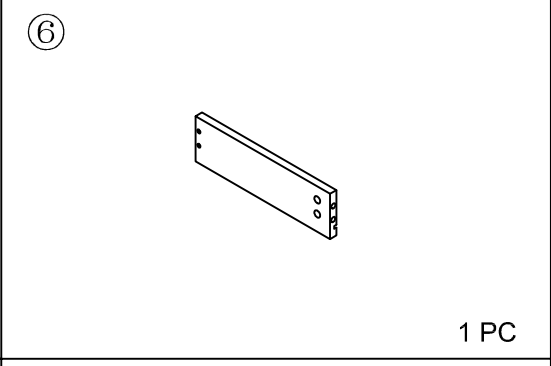
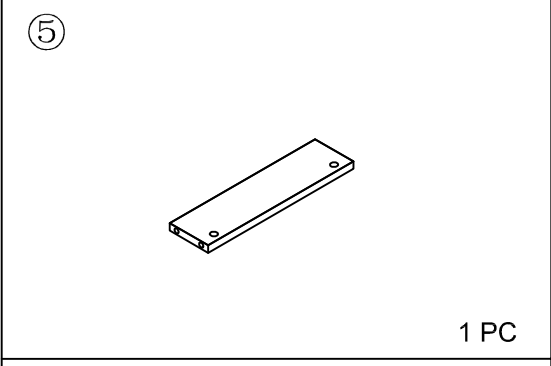
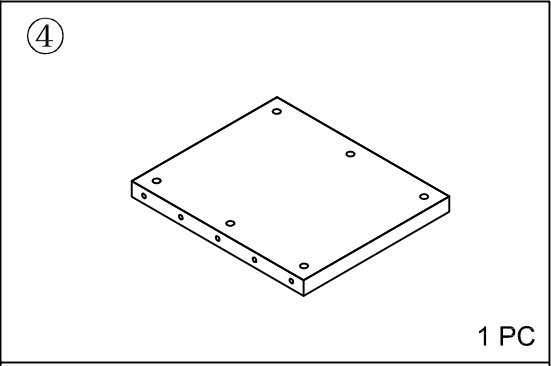
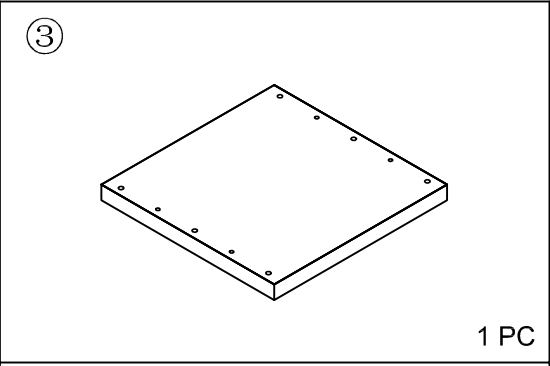
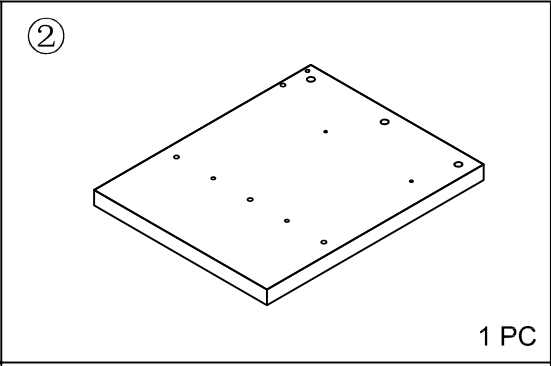
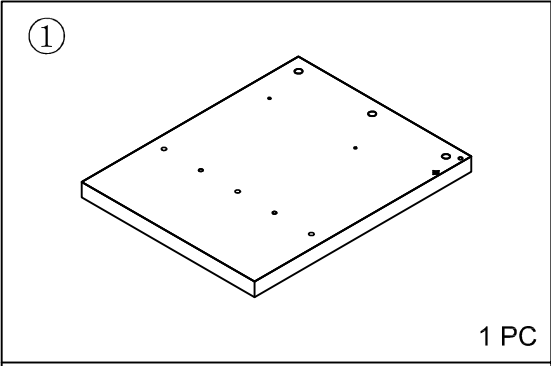


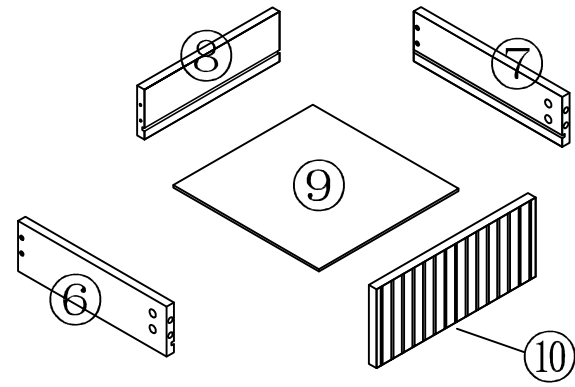
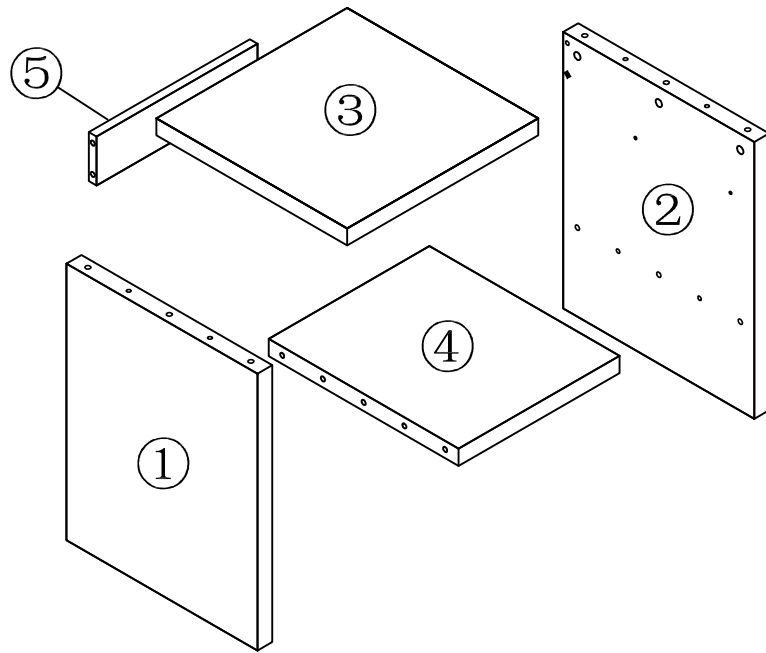
Gx1

Ex4

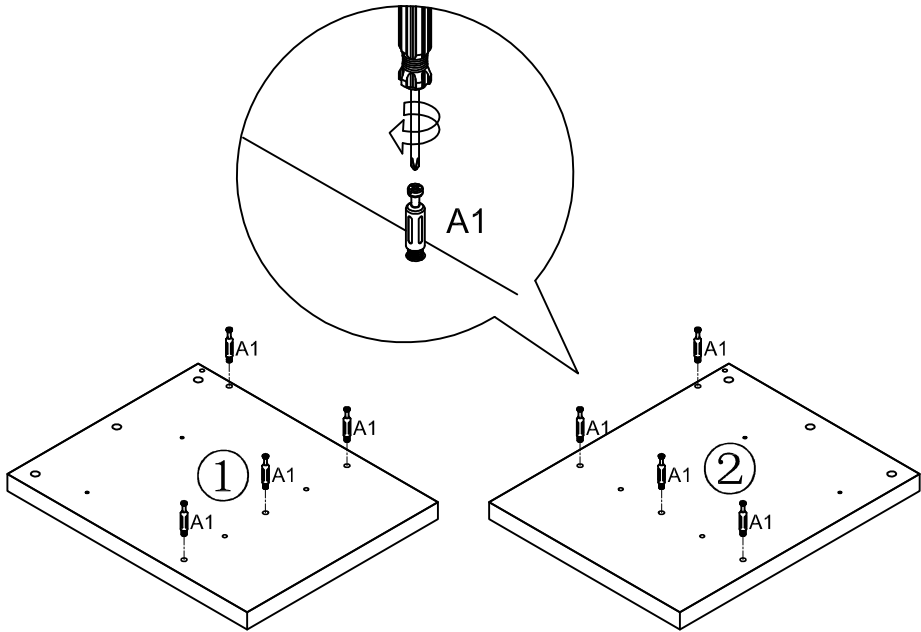
Fx18

Gx1



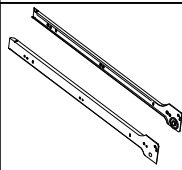
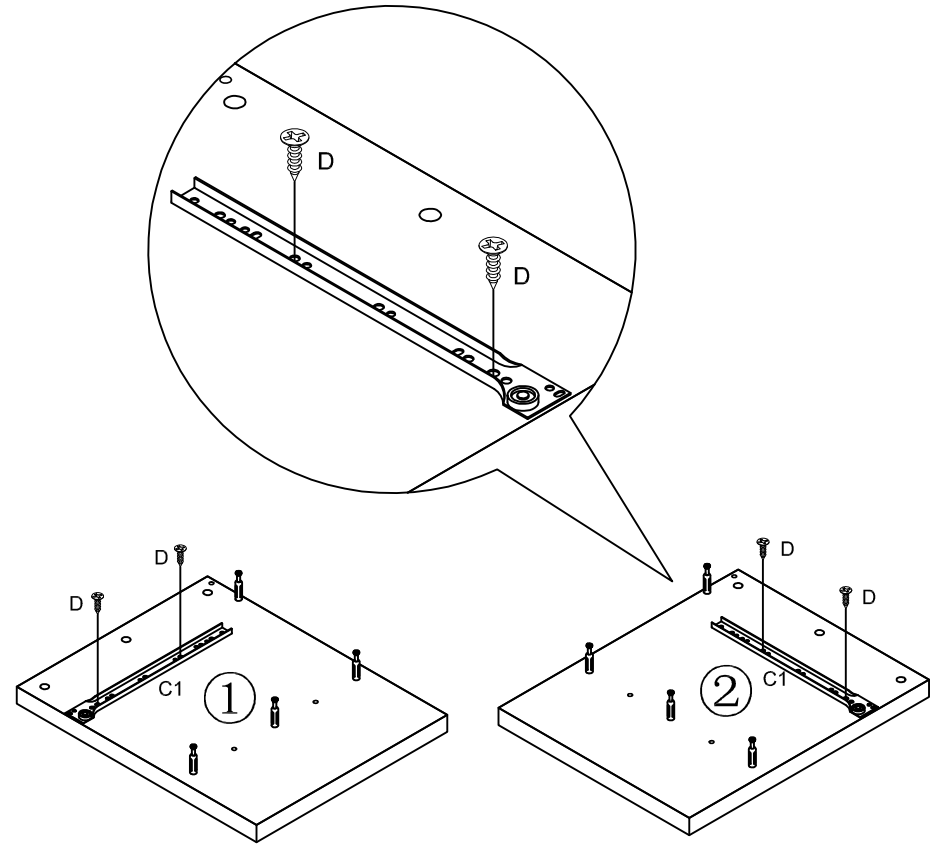


1



A1x8

2



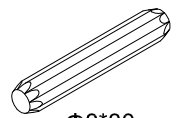
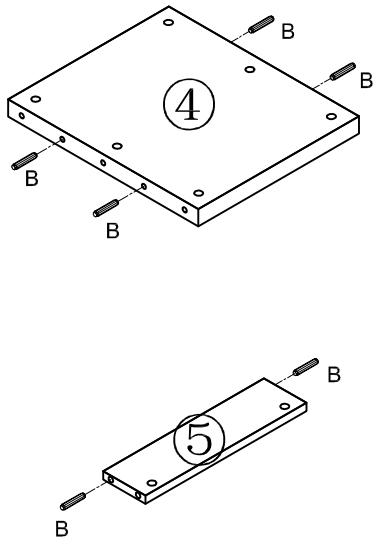
C1x1



$\Phi 3.5 \times 14$

Dx4

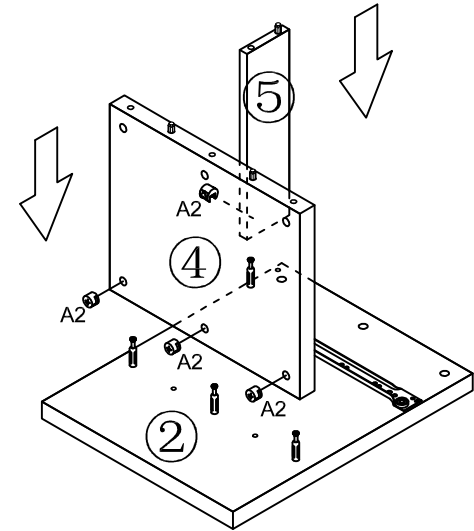
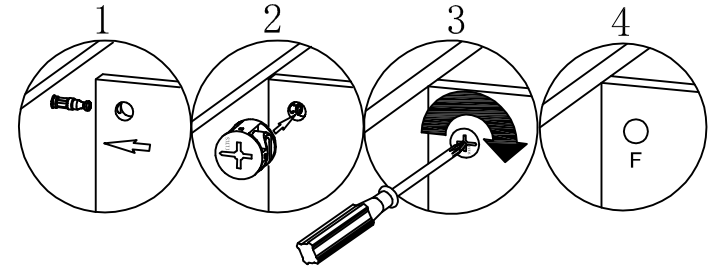
# 3



$\Phi 8 \times 30$

Bx6

# 4

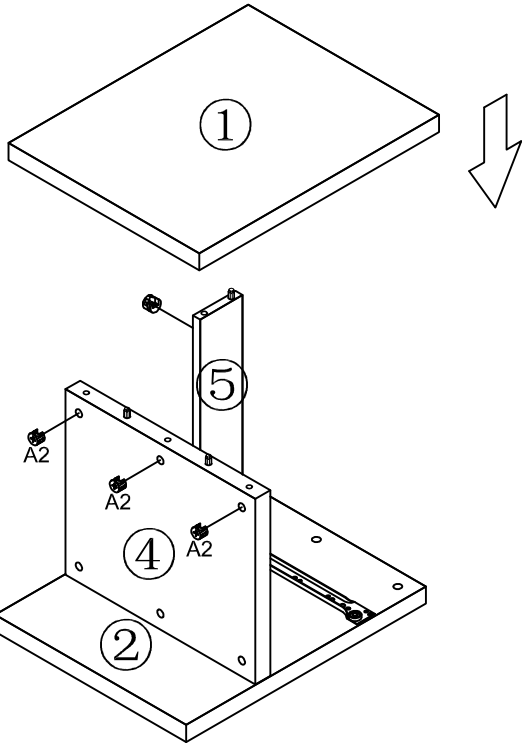
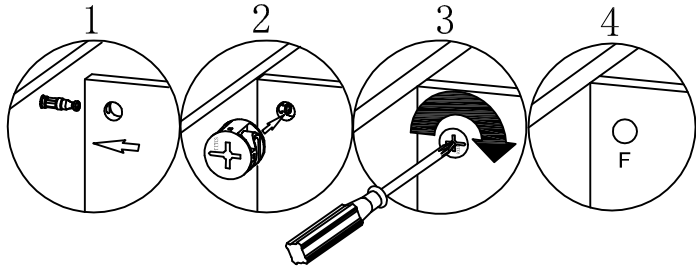


A2x4



Fx4

# 5

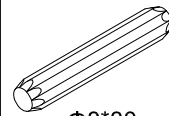
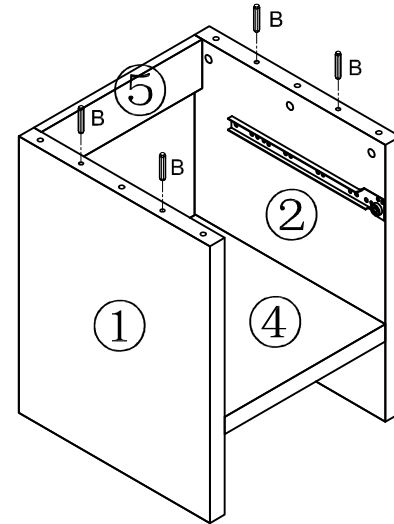


A2x4



Fx4

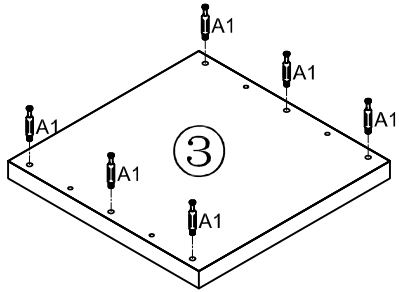
# 6



Φ8\*30

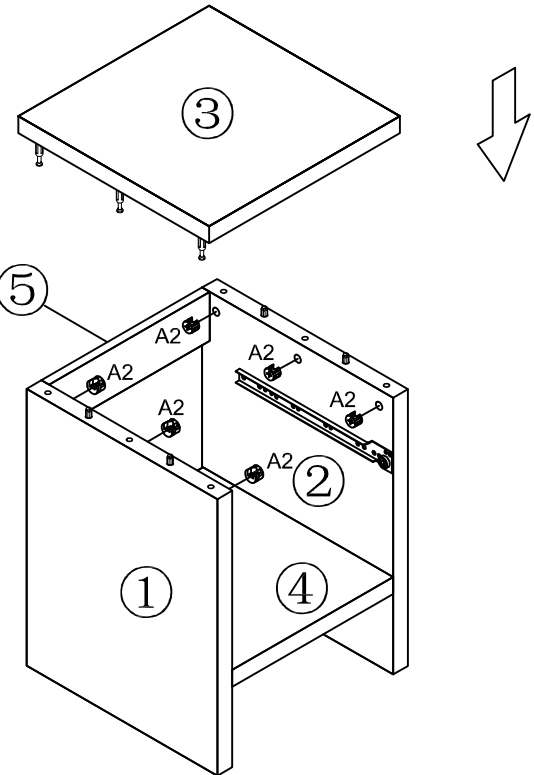
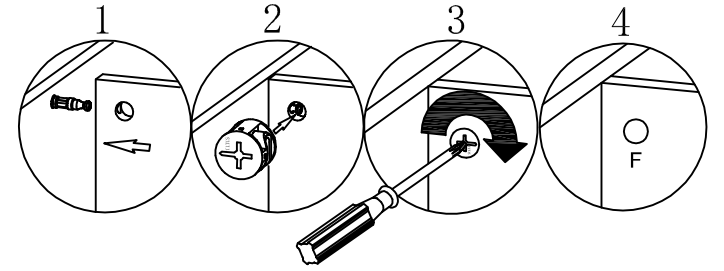
Bx4

7



A1x6

8

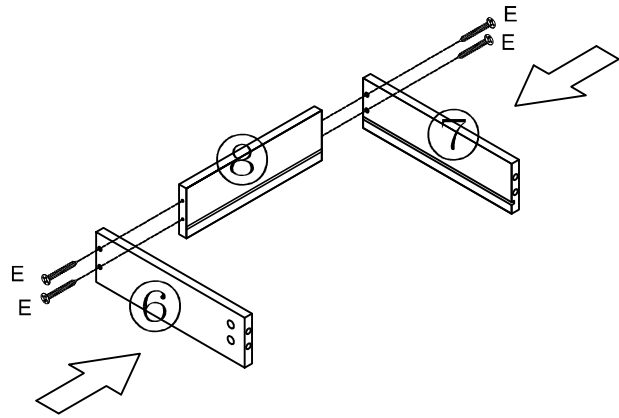


A2x6

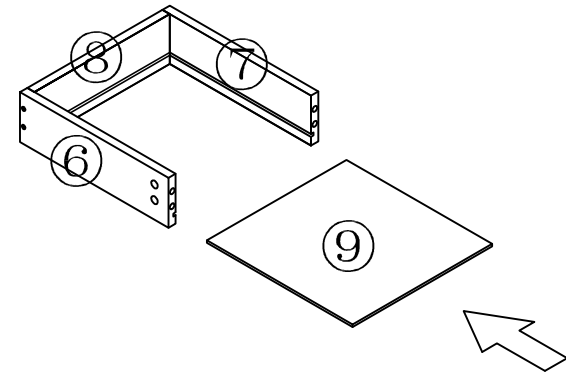


Fx6

9



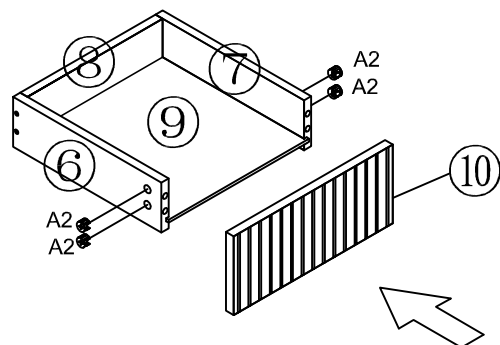
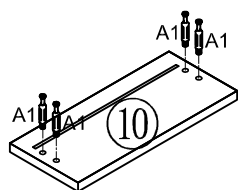
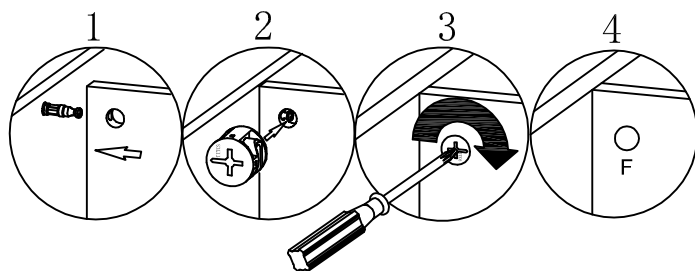
10



$\Phi 3.5 \times 35$

Ex4

# 11



A1x4



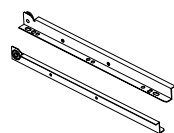
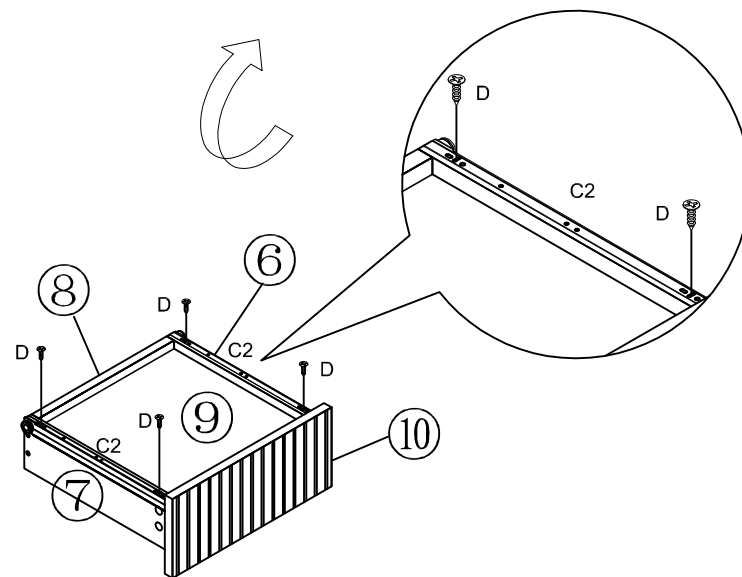
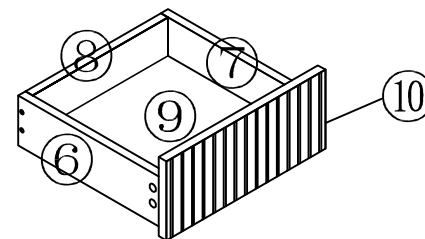
A2x4



Fx4

# 12

The installation of rail C2: rollers facing outward.



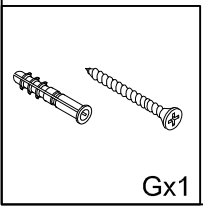
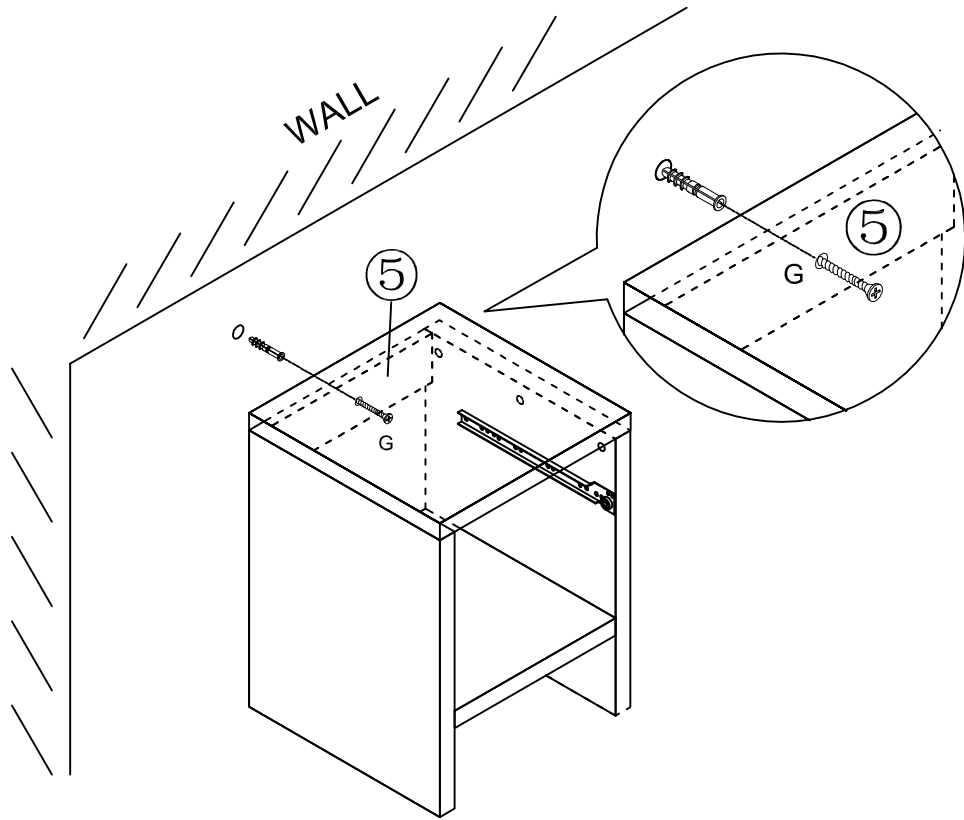
C2x1



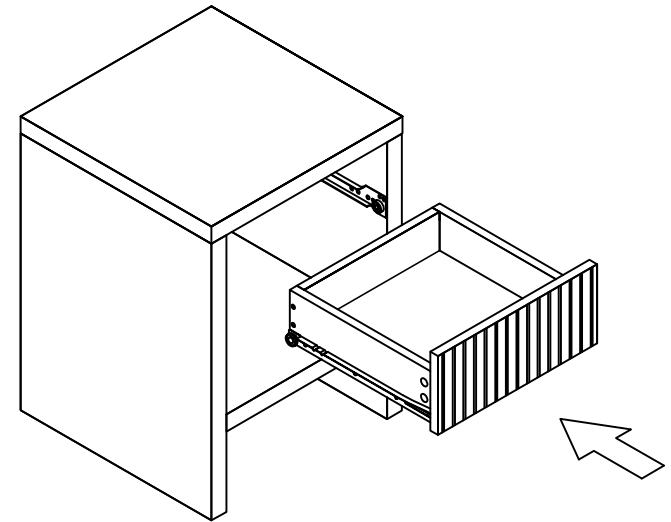
Φ3.5\*14

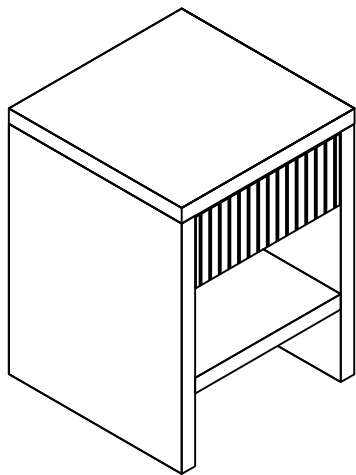
Dx4

13



14

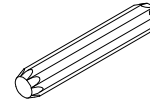




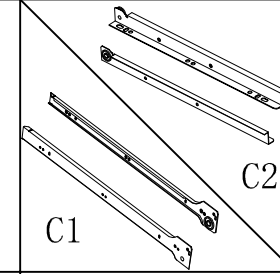
A1



A2



Φ8\*30



C1

C2



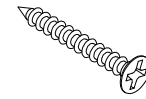
Φ3.5\*14

Ax18

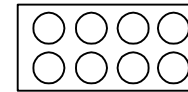
Bx10

Cx1

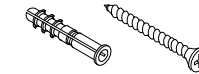
Dx8



Φ3.5\*35



Fx18

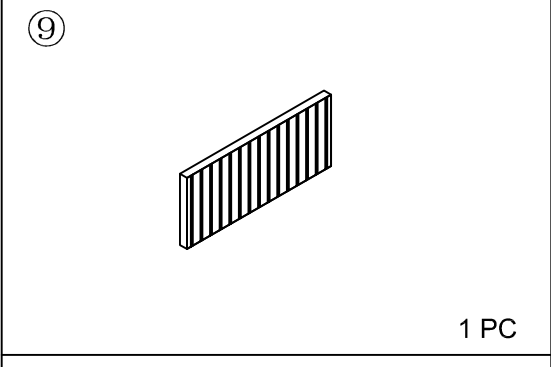
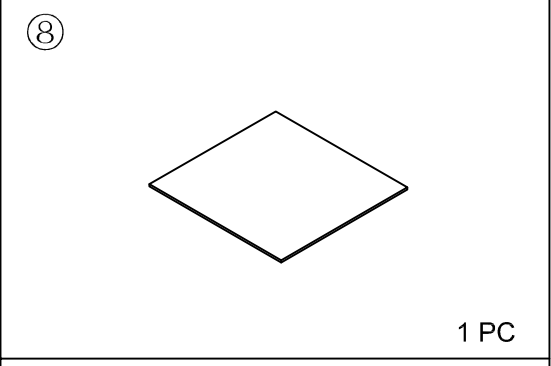
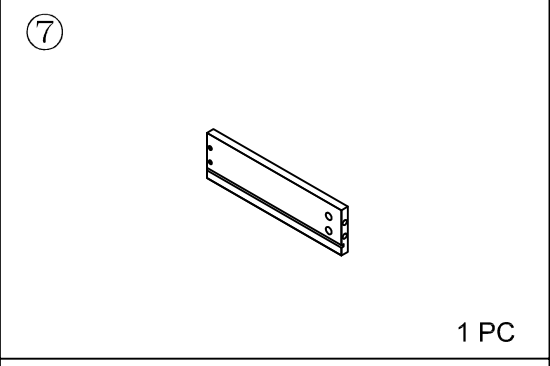
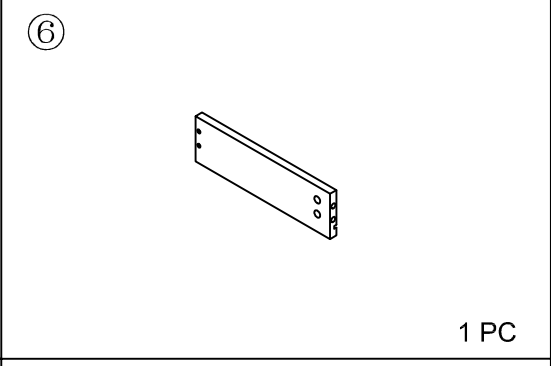
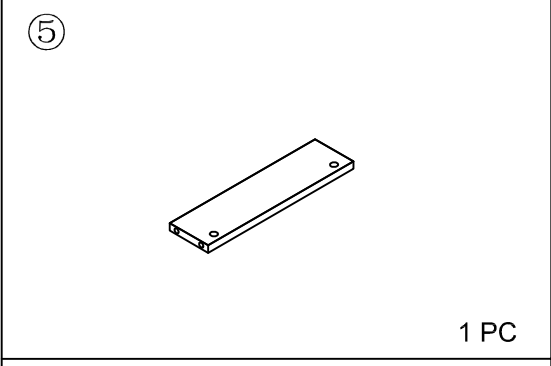
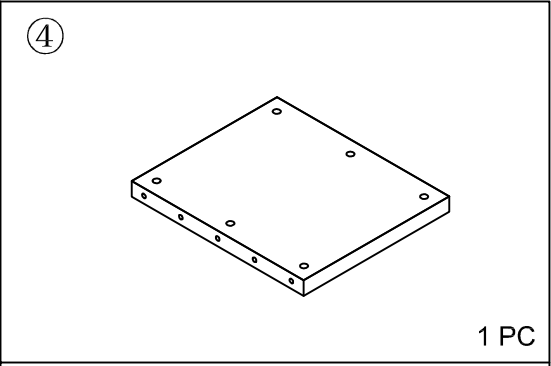
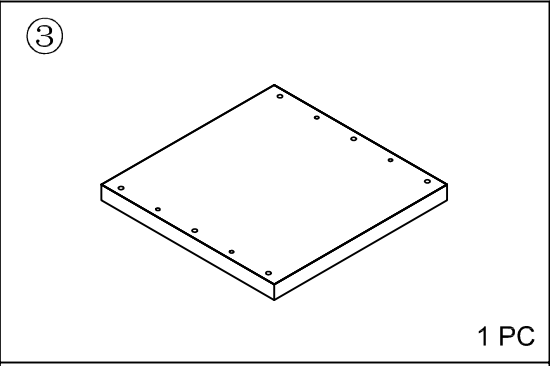
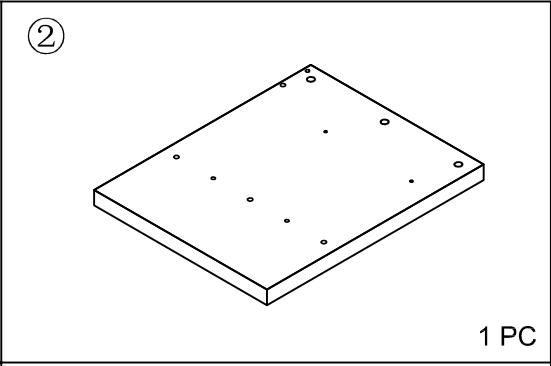
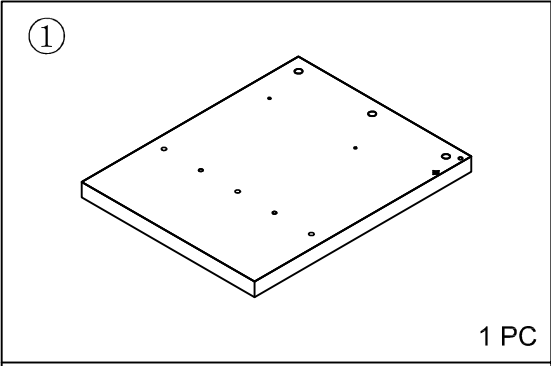


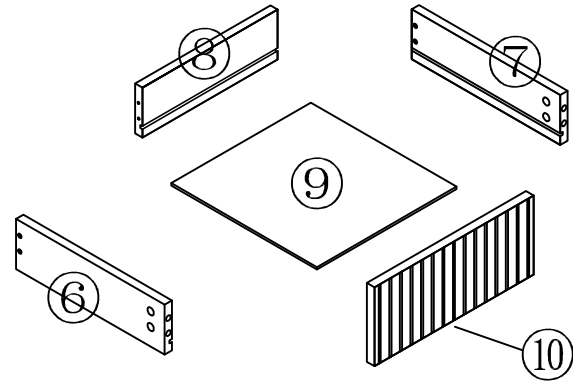
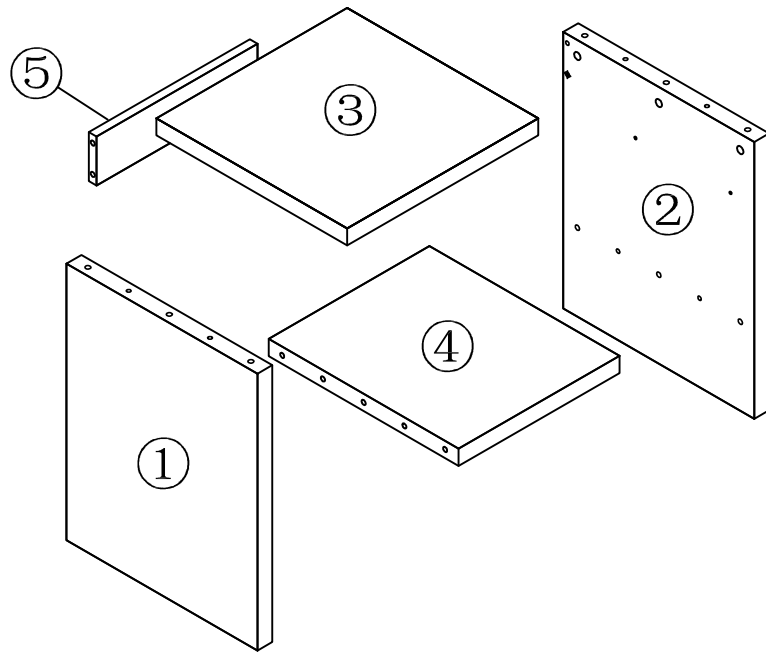
Gx1

Ex4

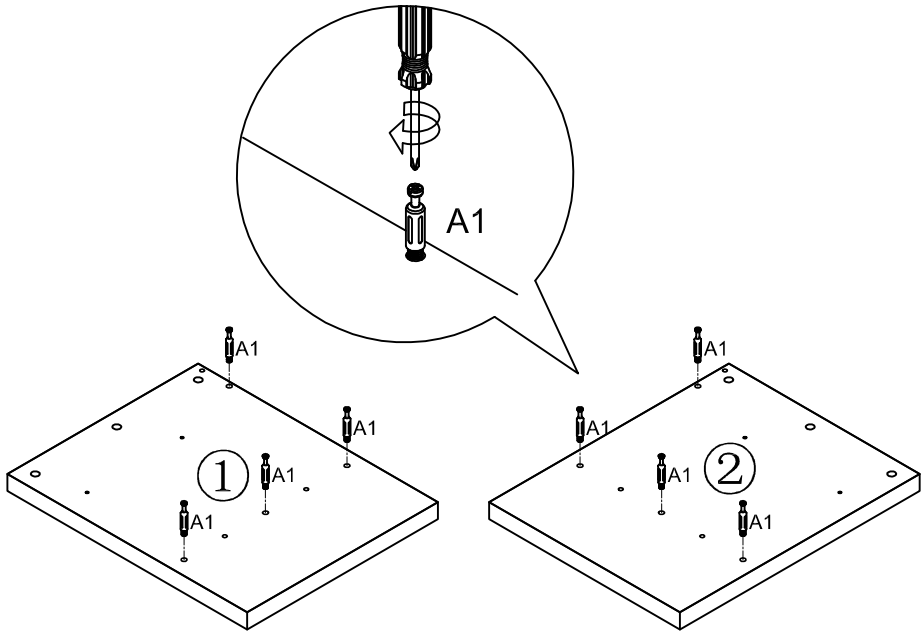
Fx18

Gx1



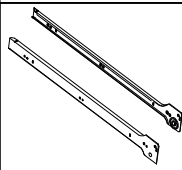
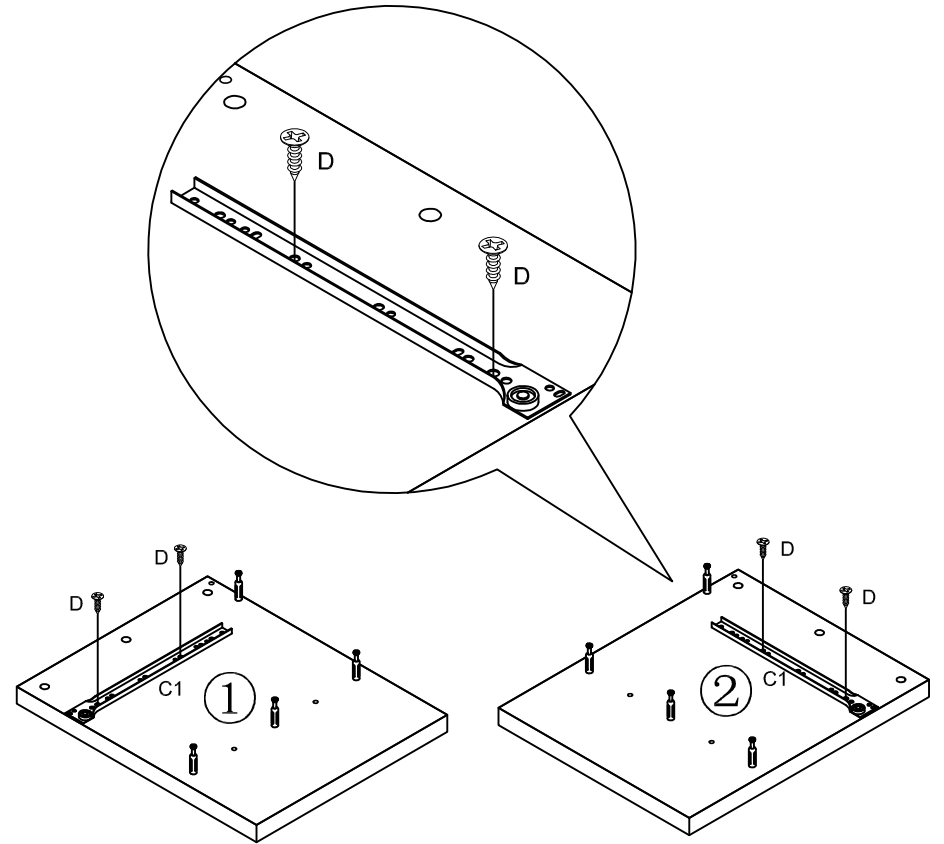


1



A1x8

2



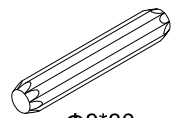
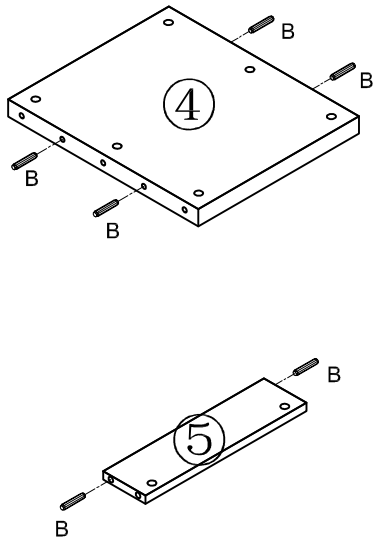
C1x1



Φ3.5\*14

Dx4

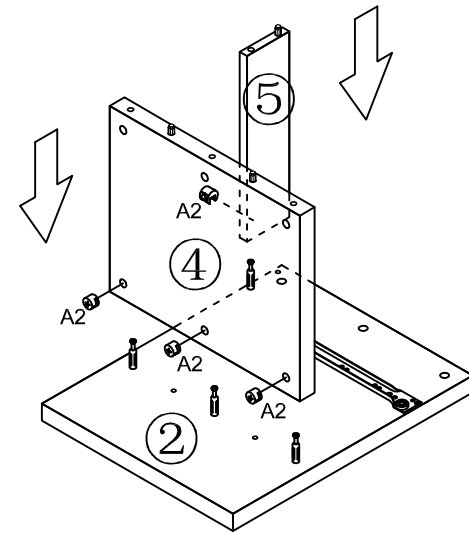
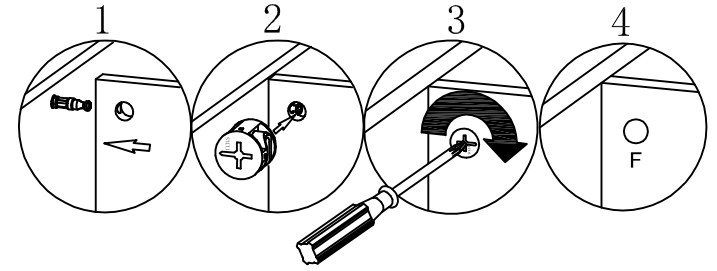
# 3



$\Phi 8 \times 30$

Bx6

# 4

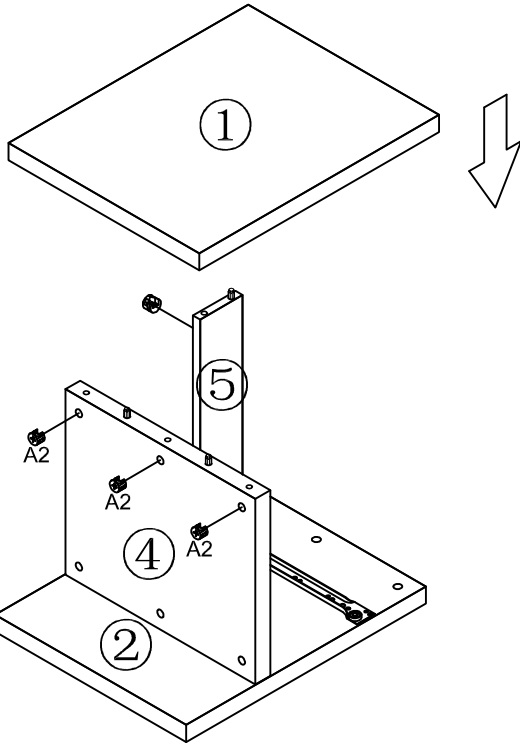
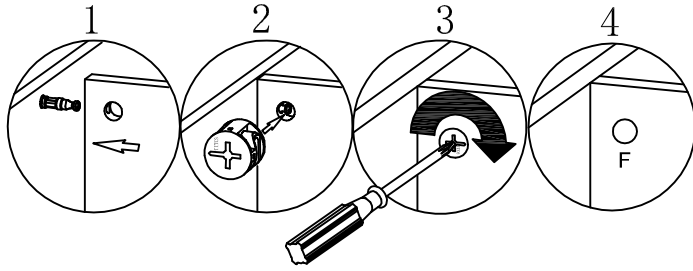


A2x4



Fx4

# 5

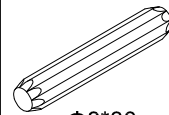
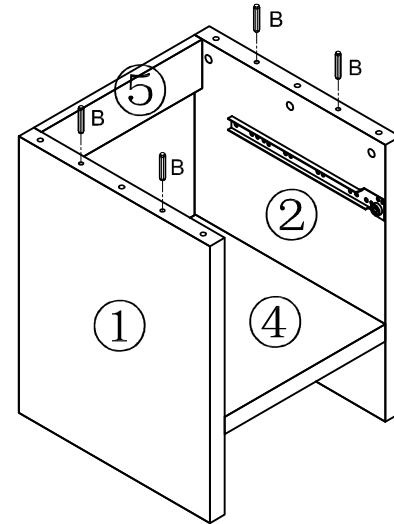


A2x4



Fx4

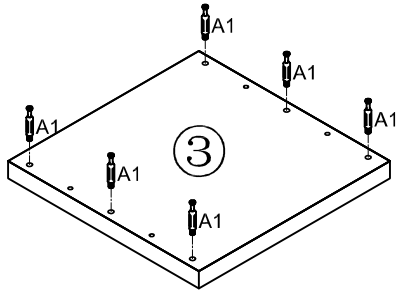
# 6



Φ8\*30

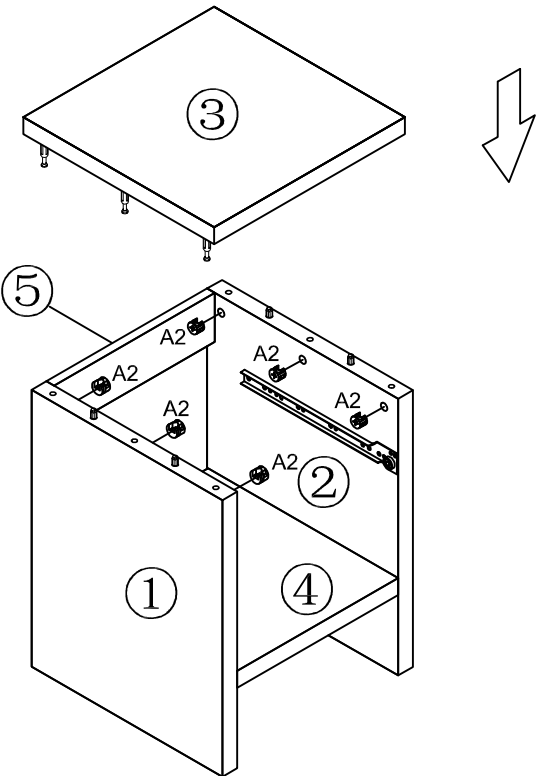
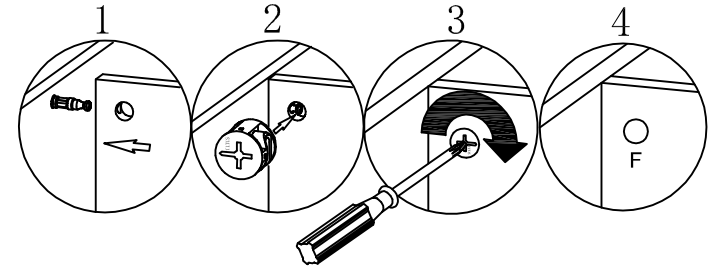
Bx4

7



A1x6

8

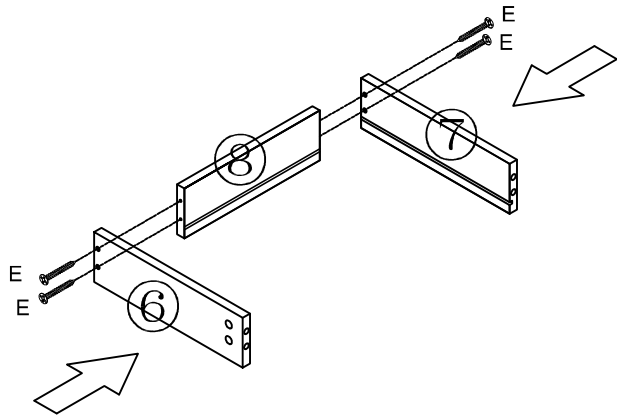


A2x6

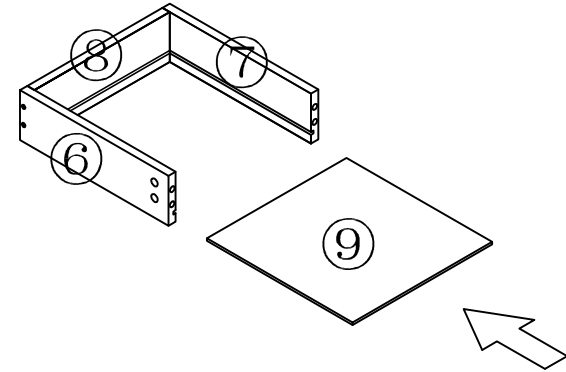


Fx6

9



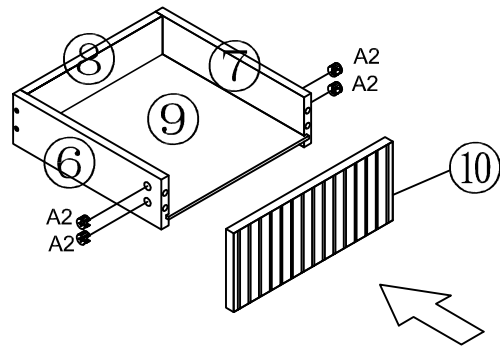
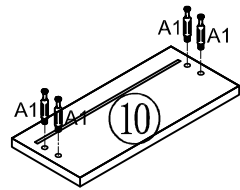
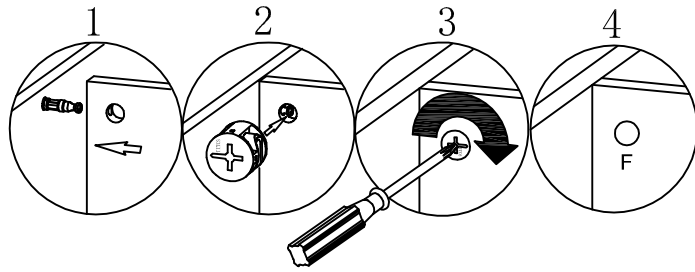
10



Φ3.5\*35

Ex4

# 11



A1x4



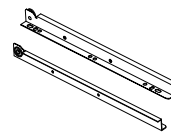
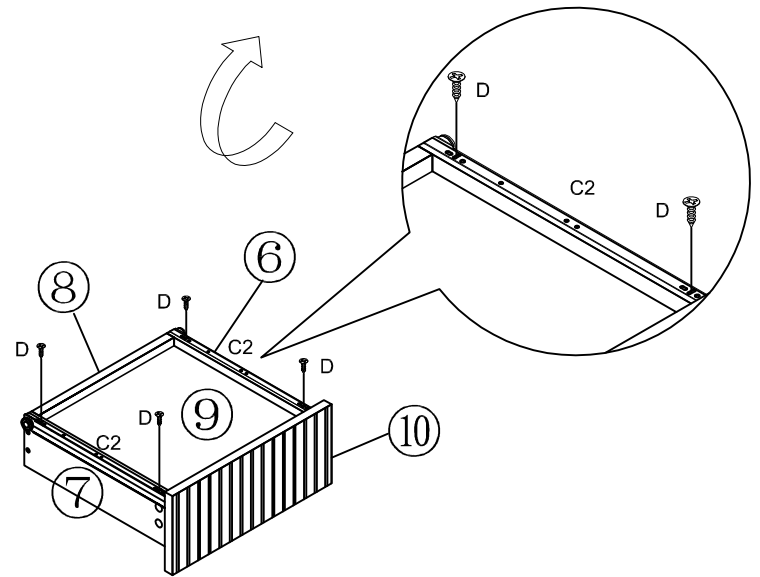
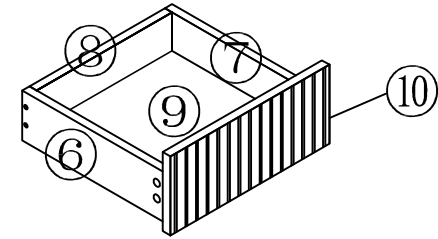
A2x4



Fx4

# 12

The installation of rail C2: rollers facing outward.



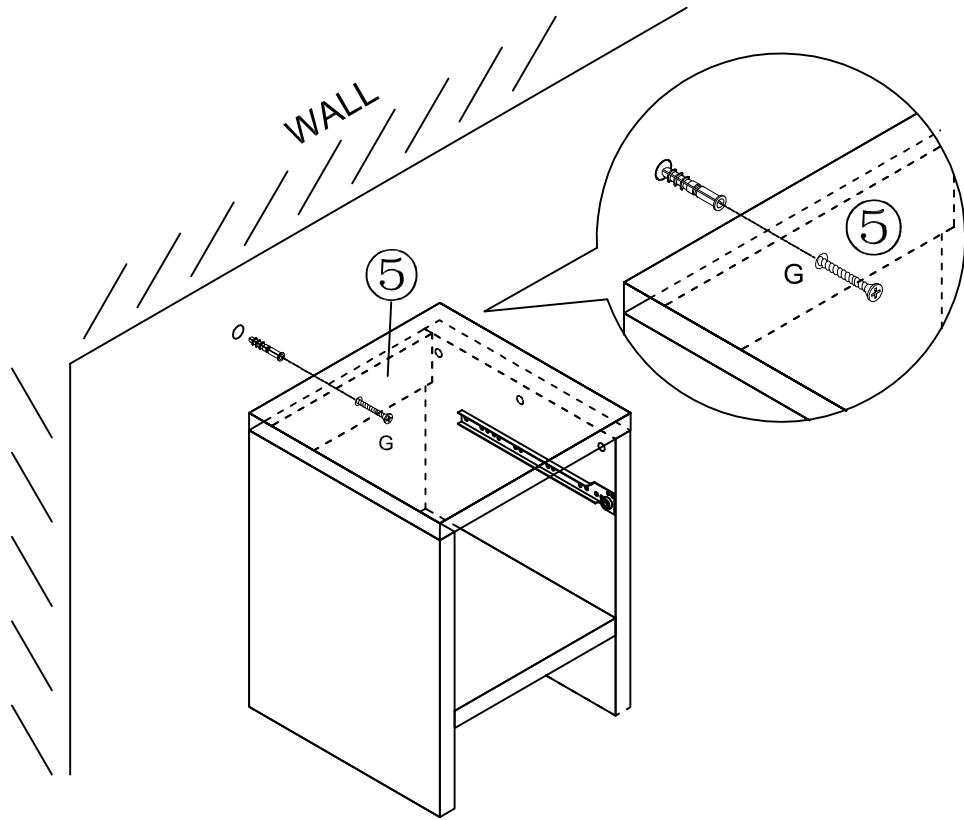
C2x1



Φ3.5\*14

Dx4

13



14

