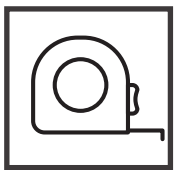


SLATTED CORNER PERGOLA INSTRUCTIONS

We recommend using the following tools (NOT SUPPLIED):



Tape
Measure



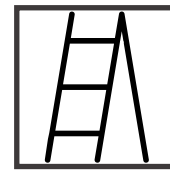
Pozidrive
Screwdriver



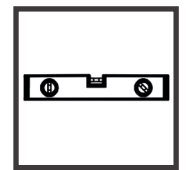
Drill & 2mm
Drill Bit



Hammer



Ladder



Spirit Level

It is vital that you build your new pergola on a **level ground in your desired location.**

FIXING PACK CONTAINS:



5 x 80mm Screws
QTY: 32



4 x 50mm Screws
QTY: 24

PLEASE KEEP PLASTIC BAGS AND SMALL PARTS AWAY FROM CHILDREN



IMPORTANT
Assembly requires 5+
adults.



REMINDER
Always pre-drill before
screwing.

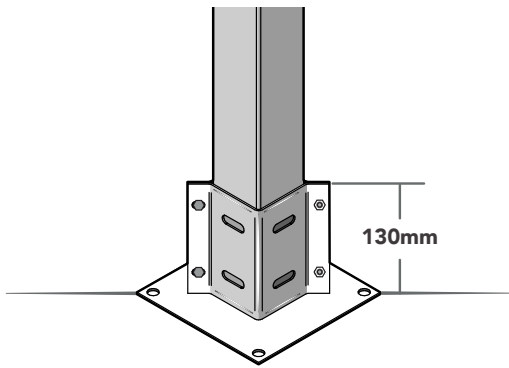
THE ROOF OF THIS PERGOLA IS NOT A LOAD BEARING STRUCTURE

Missing something or need more information?
Call our aftersales team on
0333 321 3142

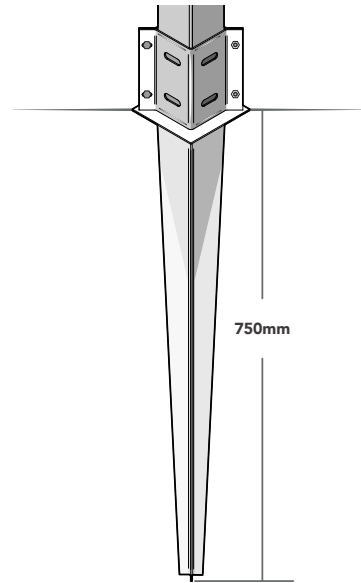
**Visit our website for spare instructions and
more information**
www.forestgarden.co.uk

PREPARATION

We **strongly advise** that you **anchor** your pergola down with either fixtures shown below to **enhance stability**. You will need to **purchase these separately**. Apply each fixture to each leg before fully constructing your pergola. 130mm of your post will be supported within the fixture.



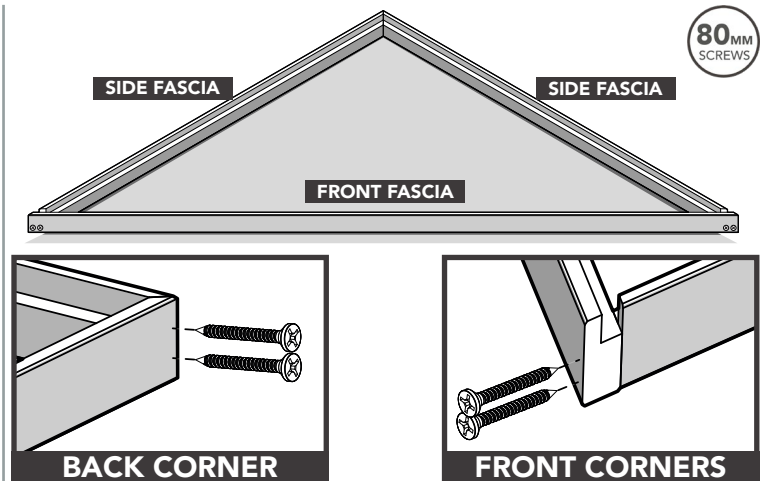
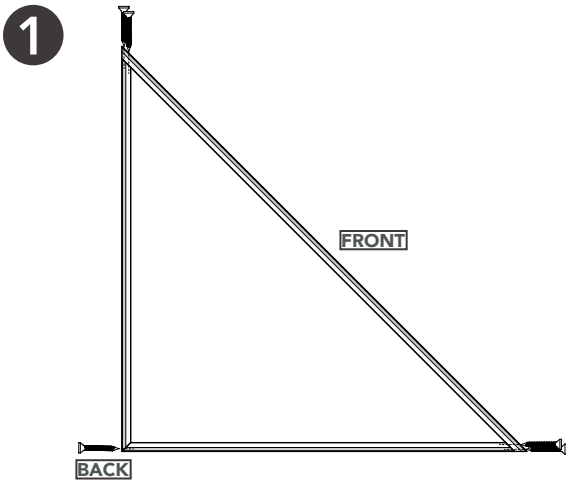
FOR PATIO/DECKING (HARD SURFACES)
Easy-Fit Fencebase - 90mm
(FBEF90)



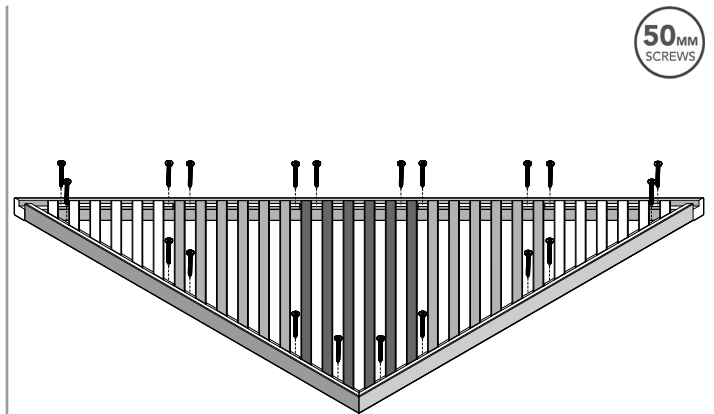
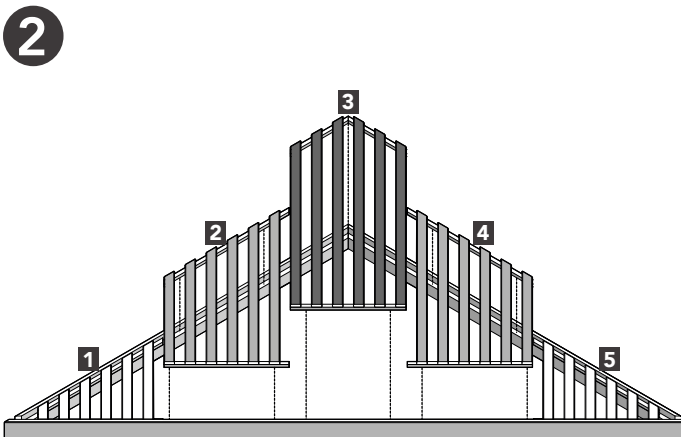
FOR GRASS/SOIL (SOFT SURFACES)
Easy-Fit Fencefast
(FEF9075)

Ensure that the spike can be inserted into the ground by 750mm.

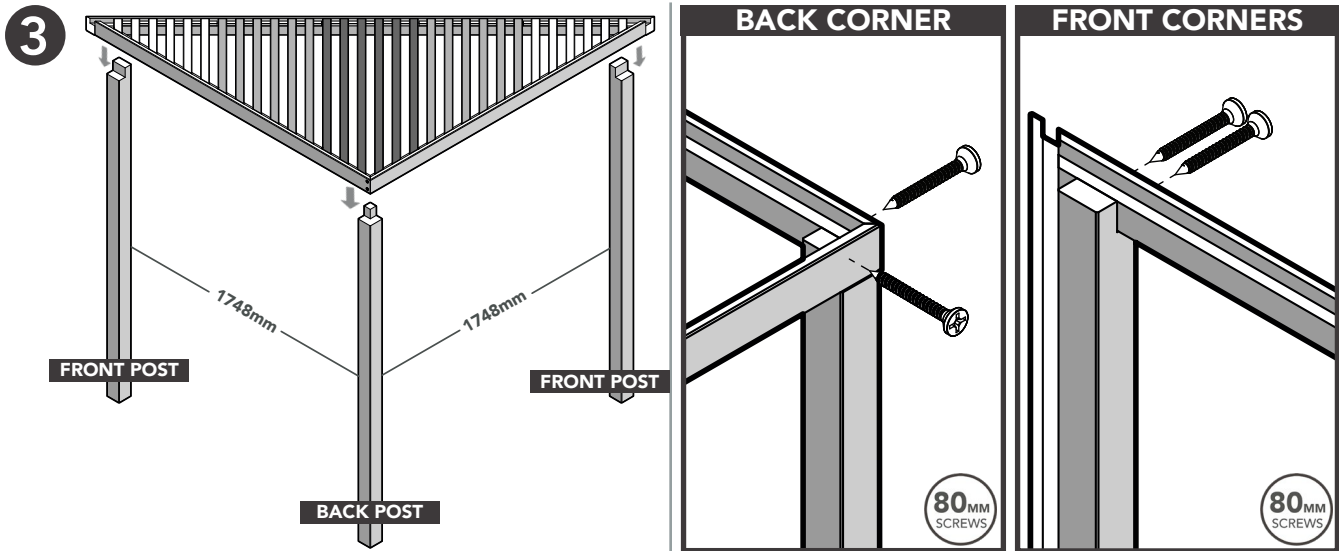
CONSTRUCTION



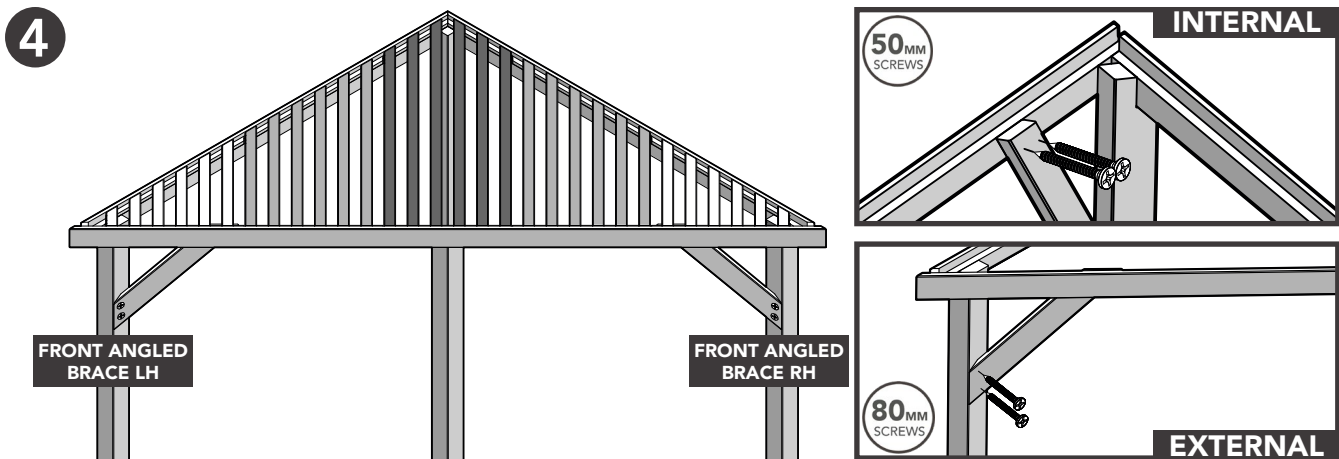
Lay out the Front Fascia and Side Fascias on a flat surface to help line up accurately. Screw the corners together as shown above. Ensure all of the faces and edges are flush. Screw into place with 80mm screws.



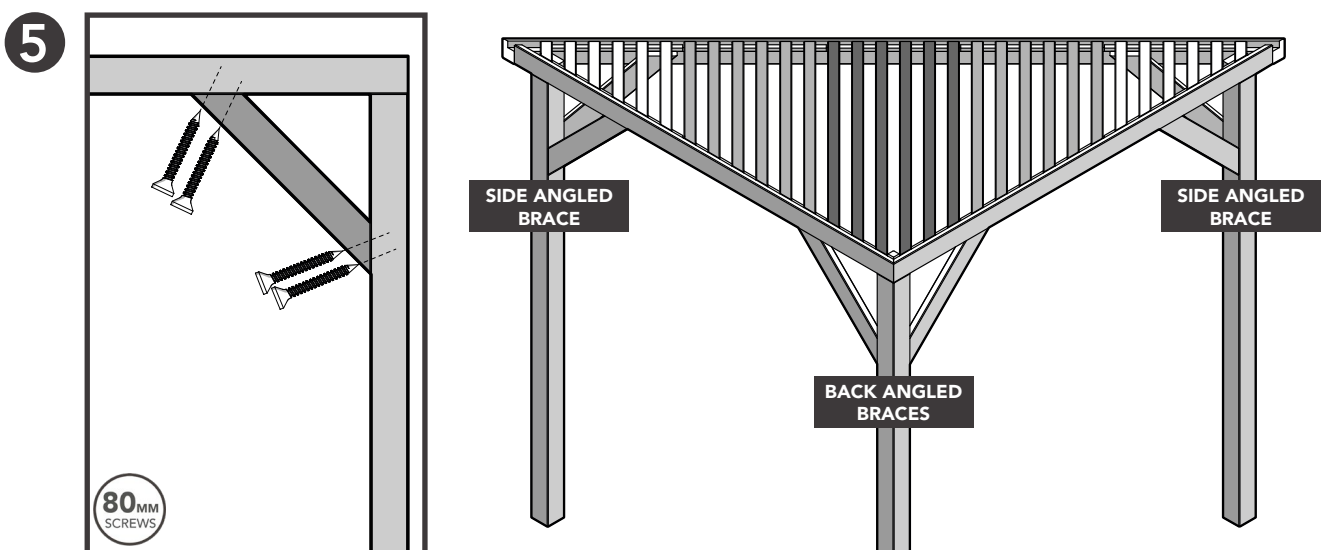
Once you have secured the fascias together, position the **Slatted Inserts**. Screw into position with 2 x 50mm screws at the top and bottom of each insert. 4 x 50mm screws per insert. (If you have a Slatted Insert missing, use the labelled number as a reference to the components list.)



Assemble this stage with 3 adults holding onto a post each. If your 3 posts are anchored, use the measurements provided as a guide for spacing. **Lift up the assembled roof and place onto the designated grooves provided on the Back Post and Front Posts as shown above.** Screw through the fascias into the posts with 80mm screws.



Secure the Front Angled Braces LH/RH to the Front Fascia. These will have a slightly different angle to position onto the post compared to the other 4 braces. Use 50mm screws to fix the internal faces together. Use 80mm screws at an angle to secure the brace to the Front Post. Repeat this process on the opposite Front Post.



Attach the Back Angled Braces and Side Angled Braces. Ensure the outer brace face is flush to the fascia face and end to end. Use 80mm screws to secure to the bottom of the fascia and to the post. Repeat this process for all 4 angled braces.

CHECK YOU HAVE ALL YOUR PARTS.

(The parts do not have codes on them. They are listed below should you need to order one.)

The components provided may be heavy. Please lift with caution and with a minimum of 2 people.

Slatted Corner Pergola (SCP90)		
Part Code	Description	No.
SCP90BP	Back Post (90x90x2100mm)	1
SCP90LRRAF	Side Fascia (90x45x2015mm)	2
SCP90FRAF	Front Fascia (90x45x2939mm)	1
SCP90FRP	Front Post (90x90x2100mm)	2
SCP90AB	Side & Back Angled Braces (90x30x600mm)	4
SCP90RHFAB	Right Hand Front Angled Brace (90x30x685mm)	1
SCP90LHFAB	Left Hand Front Angled Brace (90x30x685mm)	1
SCP90SLHINS	(1) Left Hand Triangular Slatted Insert (621x535x30mm)	1
SCP90LLHINS	(2) Larger Left Hand Slatted Insert (1161x535x30mm)	1
SCP90CINS	(3) Centre Slatted Insert (1414x495x30mm)	1
SCP90LRHINS	(4) Larger Right Hand Slatted Insert (1161x535x30mm)	1
SCP90SRHINS	(5) Right Hand Triangular Slatted Insert (621x535x30mm)	1

HEALTH & SAFETY

We strongly recommend that PPE (Personal Protective Equipment) is used throughout your build to ensure you are protected from any potential health and safety risks. Do not exempt yourself from wearing PPE.



TREATED TIMBER CONTAINING A BIOCIDAL PRODUCT CONTROL OF WOOD DESTROYING ORGANISMS

Active Ingredients - Propiconazole, Tebuconazole, IPBC, Permethrine, Benzyl-C12-16-Alkyldimethyl Chlorides. (Dip Treated)
Basic Copper Carbonate, DDA Carbonate, DDA Chloride. (Pressure Treated)

Wear gloves when handling. Avoid inhalation of sawdust. Do not use in contact with drinking water or food. Do not use for animal bedding or in fish ponds. Dispose of treated wood responsibly.