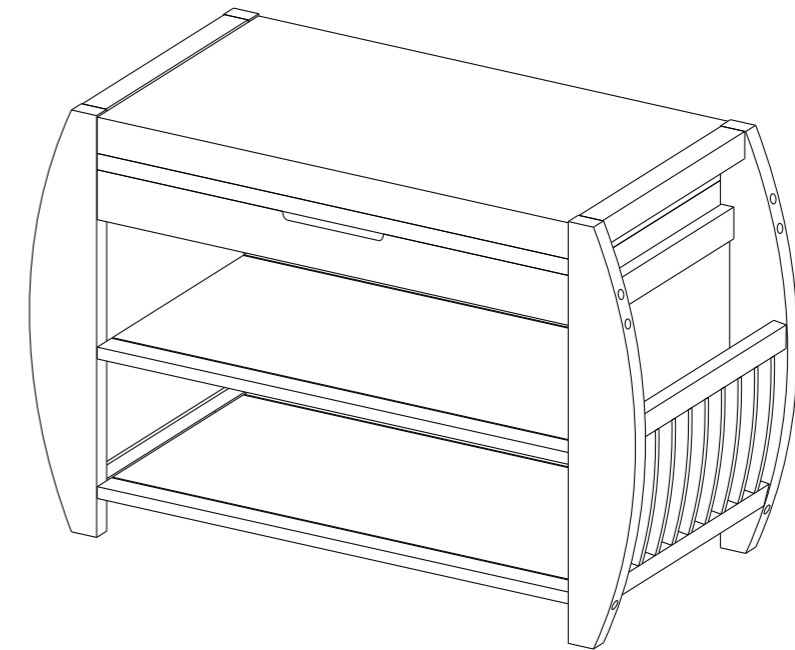


K
KELABEL

We pride ourselves on producing a range of quality products that are both packed with features and completely reliable. We are so confident in our products. If you have any questions, please feel free to contact us to ensure better service for you. Now you too can relax knowing

K
KELABEL

SHOE RACK & SHOE BENCH



INSTRUCTION MANUAL

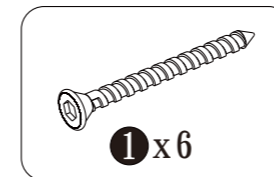
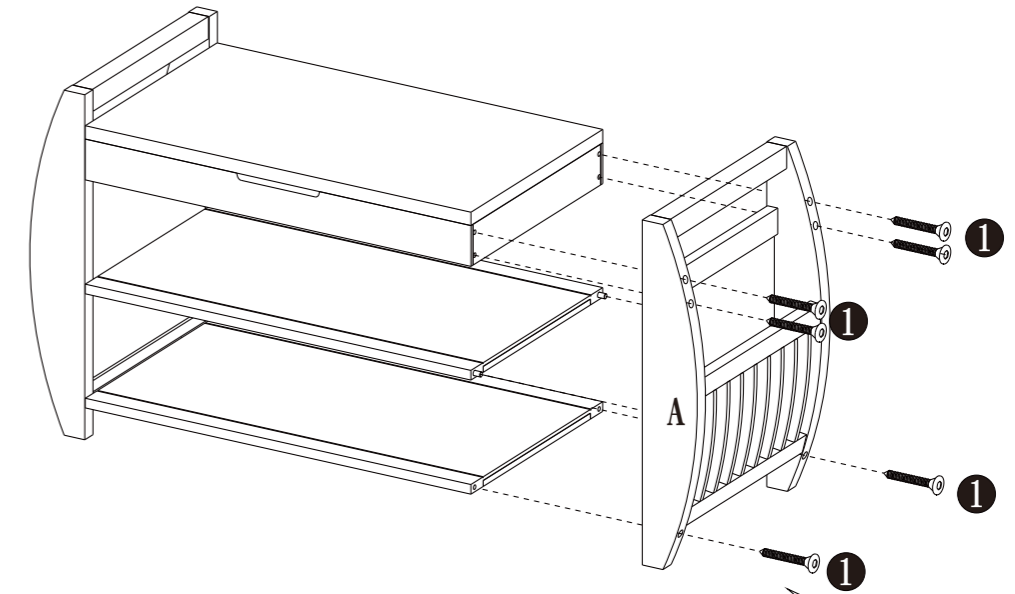
Tips before you start

- 1 For the protection of your furniture, we recommend that the product is Placed on a protected surface during assembly to prevent any damage
- 2 Please check that all parts are present before you start the assembly of your furniture.
- 3 For ease and speed of assembly, we recommend that you identify all the parts required for each step before commencing with assembly
- 4 For larger items, please ensure that you have sufficient space and people(as indicate on page 1) to assemble your product safely.
- 5 We recommend that, where possible, all items are assembled near to the area in which they will be placed in use, to avoid moving the product unnecessarily.
- 6 During assembly please take care not to over-tighten hardware, as this may damage the product. Do not use power tools.
- 7 Always place the product on a steady and stable surface.
- 8 Do not stand on the product. Do not use the product as a stepladder.
- 9 This product is intended for indoor, household use only as it is a non-industrial product.
- 10 After-sales service: Thank you for your support. In order to bring you a more pleasant shopping experience, you are welcome to provide valuable comments and suggestions, and you can contact us at any time after shopping. E-mail: luowangymx@126.com.

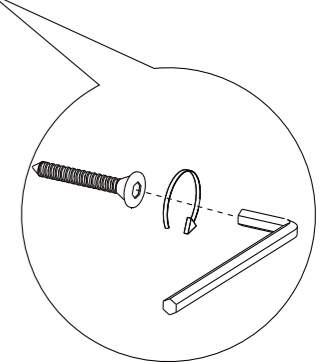
Care and maintenance

- ✓ Please periodically check all things and re-tighten as necessary.
- ✓ To clean your item, please use a damp cloth and wipe clean.
- ✓ Never allow and kind of liquid to remain on your furniture.
- ✓ Please do not place hot items(eg. Hot drinks)directly on to the surface

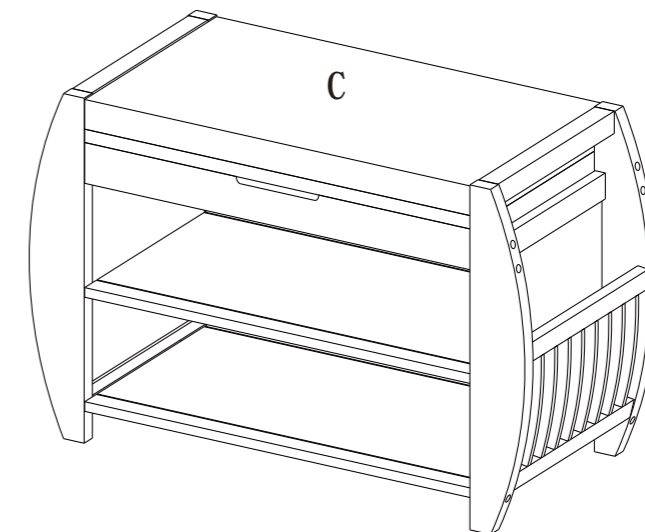
STEP6



Install bracket a on the other side with screws

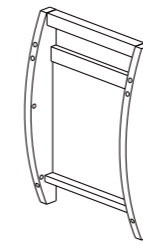


STEP7

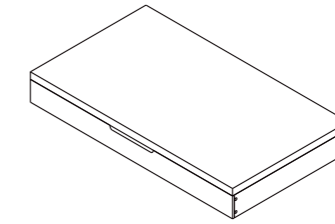


Installation is complete

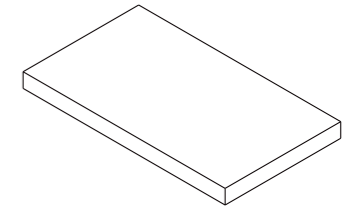
Part List



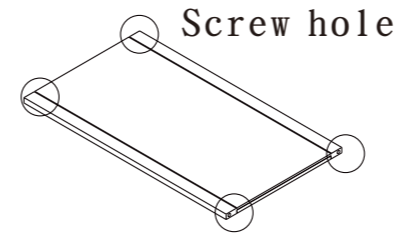
Bracket A*2



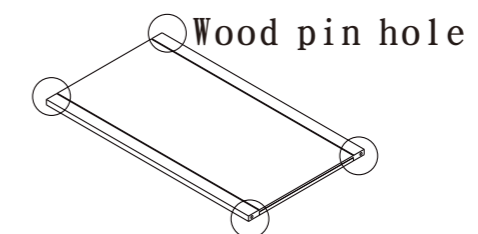
Stool surface B*1



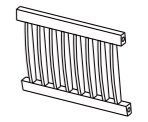
Cushion C*1



Laminate D*1



Laminate E*1



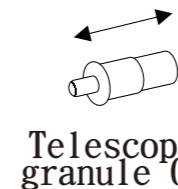
Enclosure F*2



Wooden pin H*4



Wooden pin K*4

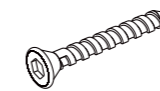


Telescopic granule G*4



J*4
Paste the bottom of the corner of the stool, with anti-skid stability

Hardware List

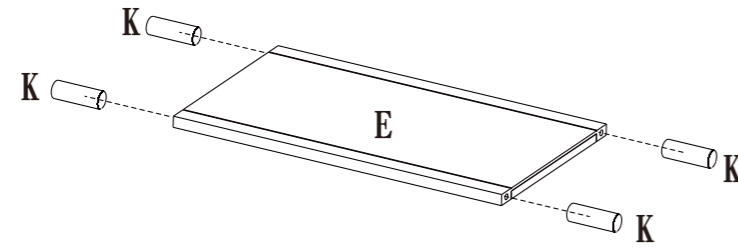


① Screw

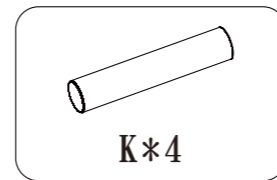


② x1

STEP4

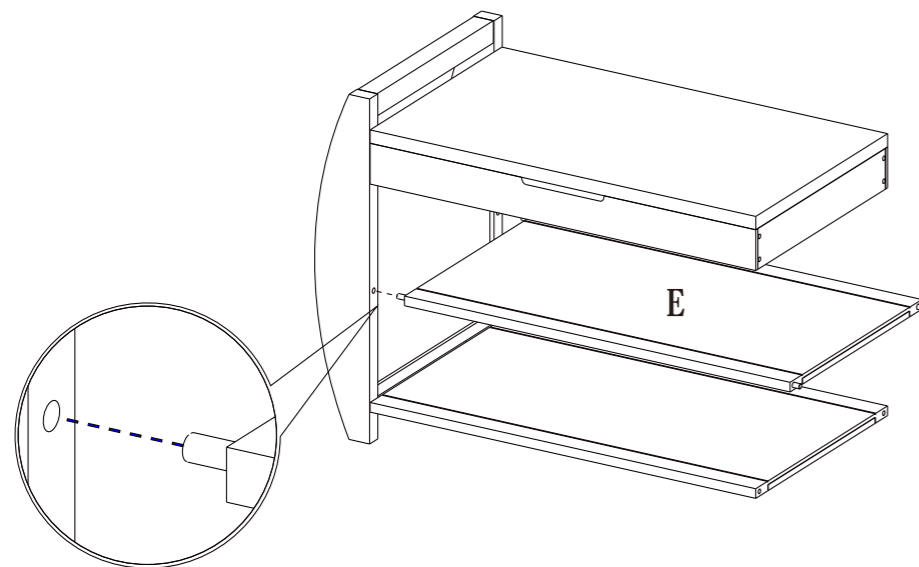


The wooden pin K is inserted on the laminate E



K*4

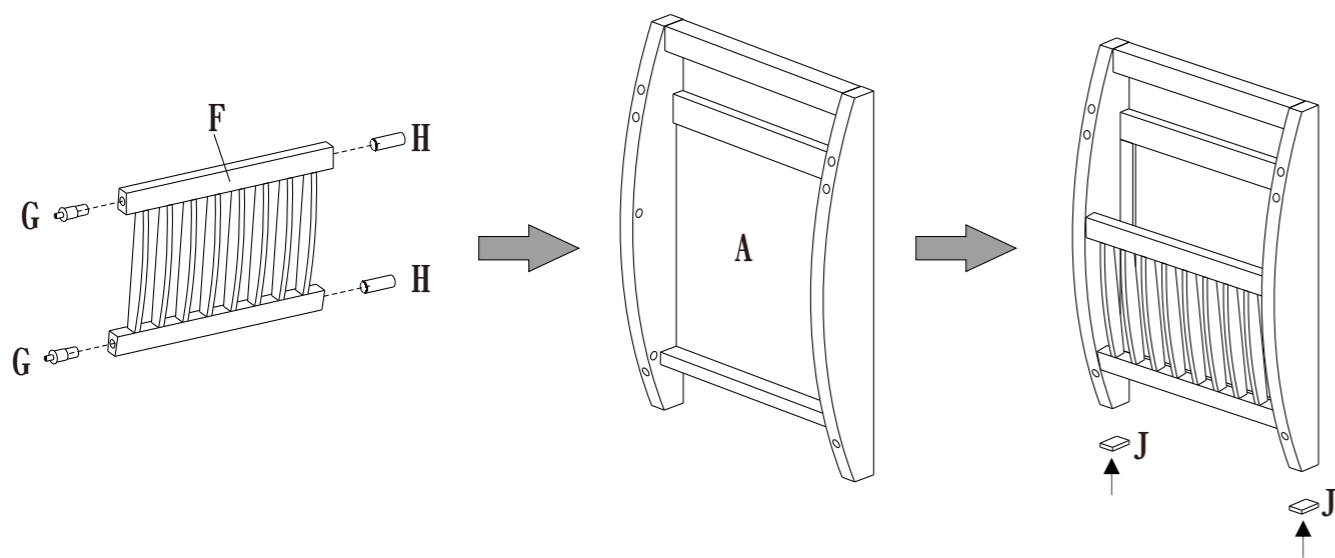
STEP5



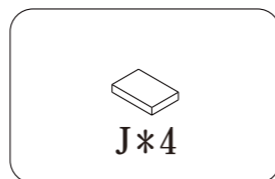
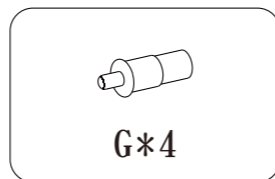
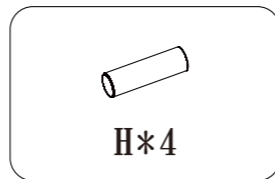
Insert the wooden pin on the laminate E into the wooden pin hole of the bracket A

Assembly

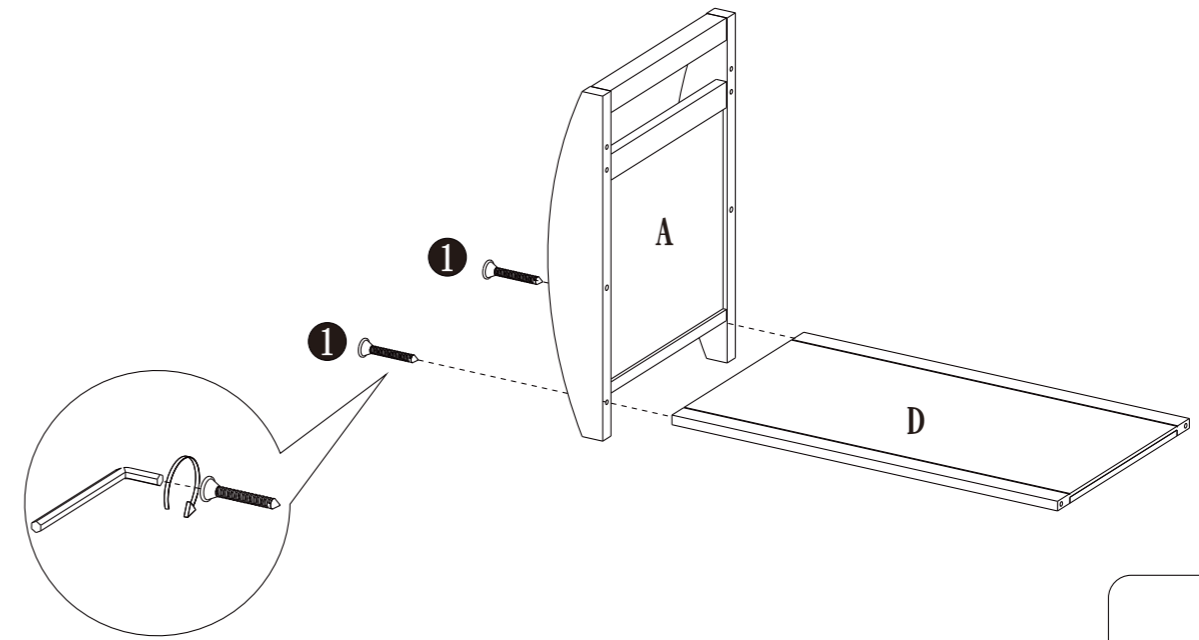
STEP1



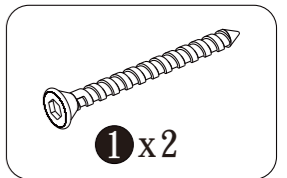
Install the wooden pin H and the Telescopic granule G on the fence F and then install them on the bracket A. Install Telescopic granule on the side of large hole of fence F and install wooden pin on the small hole.



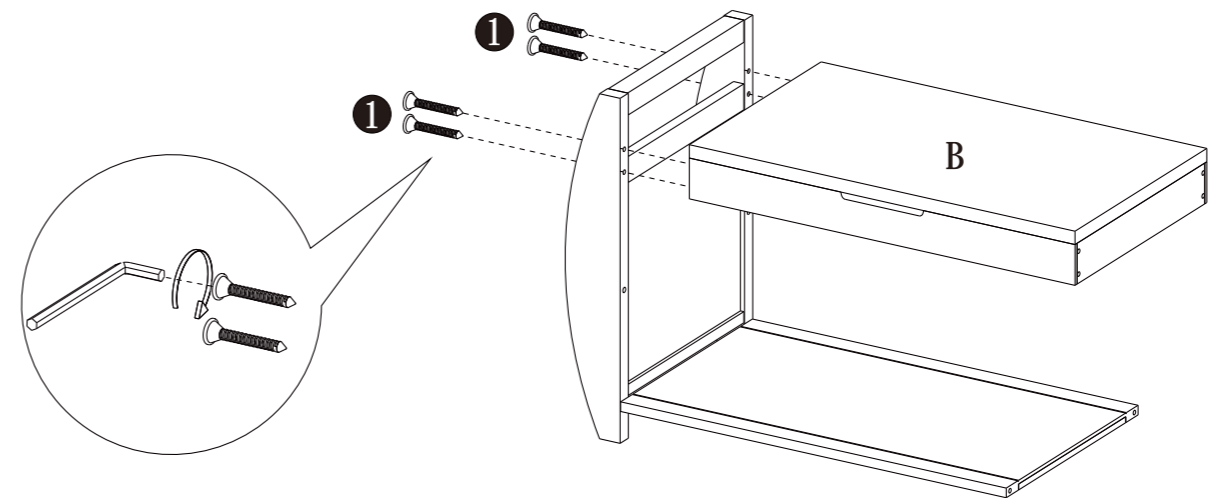
STEP2



The Laminate D are first installed on the bracket



STEP3



The Stool surface B are first installed on the bracket

