

ASSEMBLY INSTRUCTIONS

ITEM # 30518






Important safety instructions :

- Please read carefully all instructions before assembly.
- For your safety and ease, assembly by two or more adults is recommended.
- Keep instructions for future use.









Pre-assembly:

- Do not discard any contents until assembly is complete to avoid accidentally discarding small parts or hardware.
- Take out all parts and hardware from box .

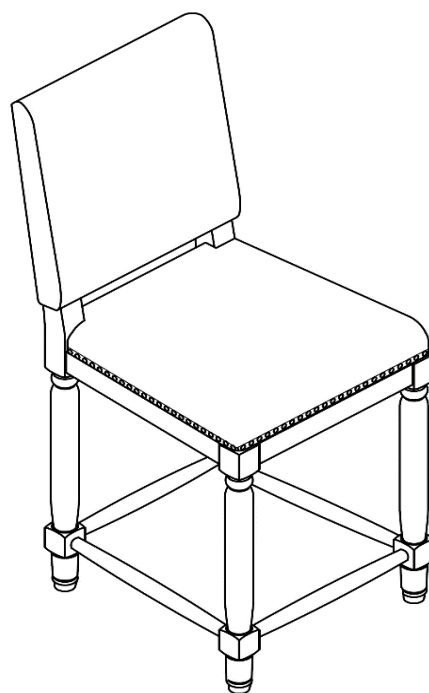
Parts List

Item	Description		QTY
A	Chair Back		2
B	Chair Seat		2
C	Front Legs		4
D	Front stretcher		2
E	Side stretcher		4

Hardware List

Item	Description		QTY
a	Long Bolts $\varnothing 5/16"$ x 90mm		8
b	Medium Bolts $\varnothing 5/16"$ x 60mm		8
c	Short Bolts $\varnothing 5/16"$ x 35mm		2
d	Lock Washers 5/16"		18
e	Flat Washers 5/16"		18
f	Allen Wrench 5/16"		1
g	Wood Screw M4 x 38mm		12
h	Screwdriver		1

**Not Provided



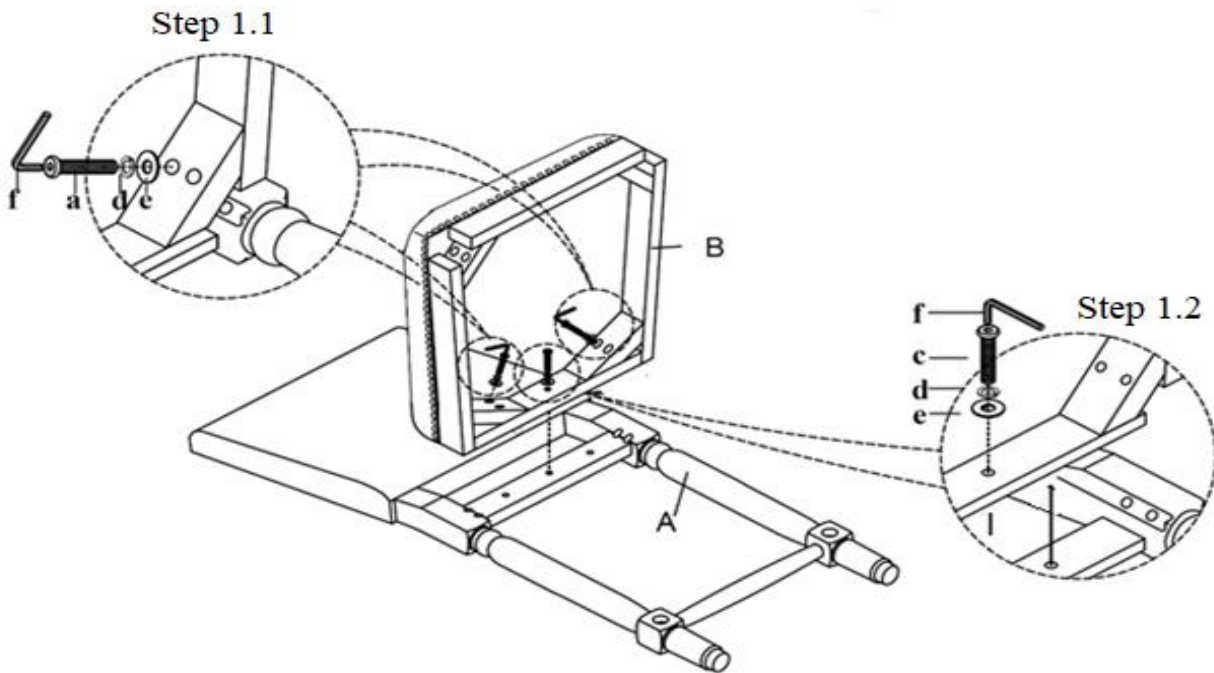
DISCLAIMER :

**WHEN PROPERLY ASSEMBLED, THIS ITEM IS SAFE FOR INTENDED USE.
SELLER IS NOT LIABLE FOR ANY DAMAGES RESULTING FROM ITEM BEING IMPROPERLY ASSEMBLED
AFTER PURCHASE.**

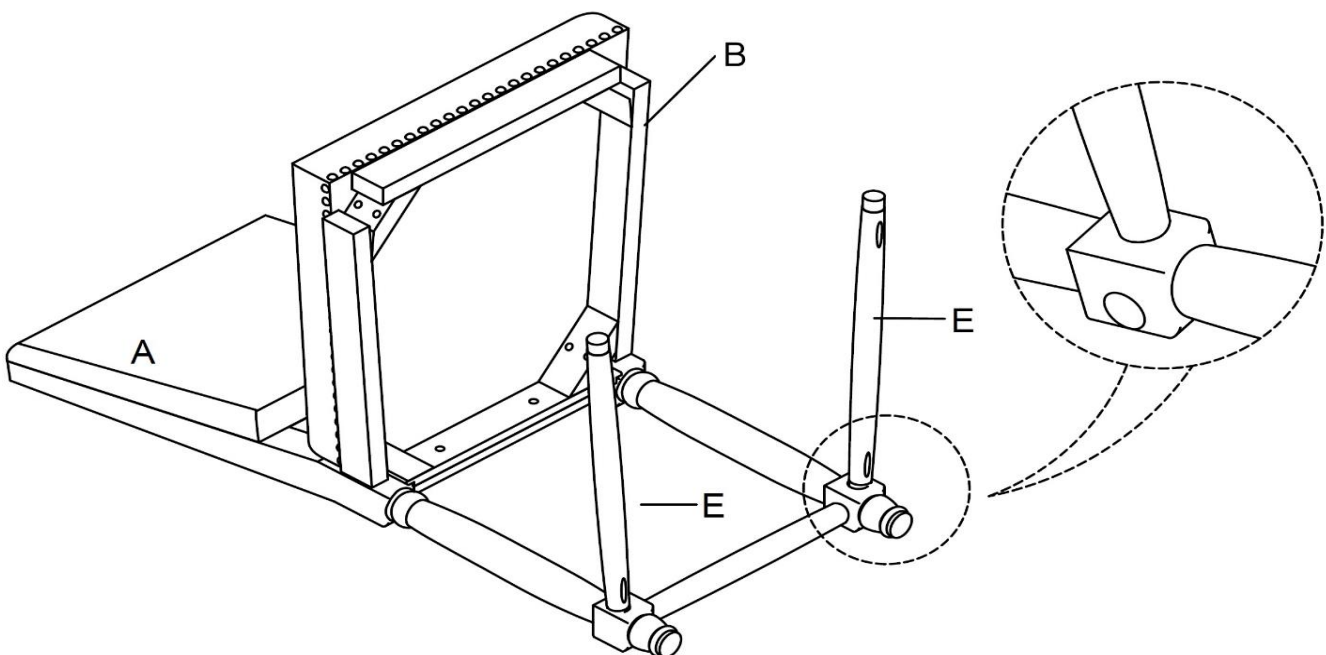
Assembly Procedures:

Step 1.

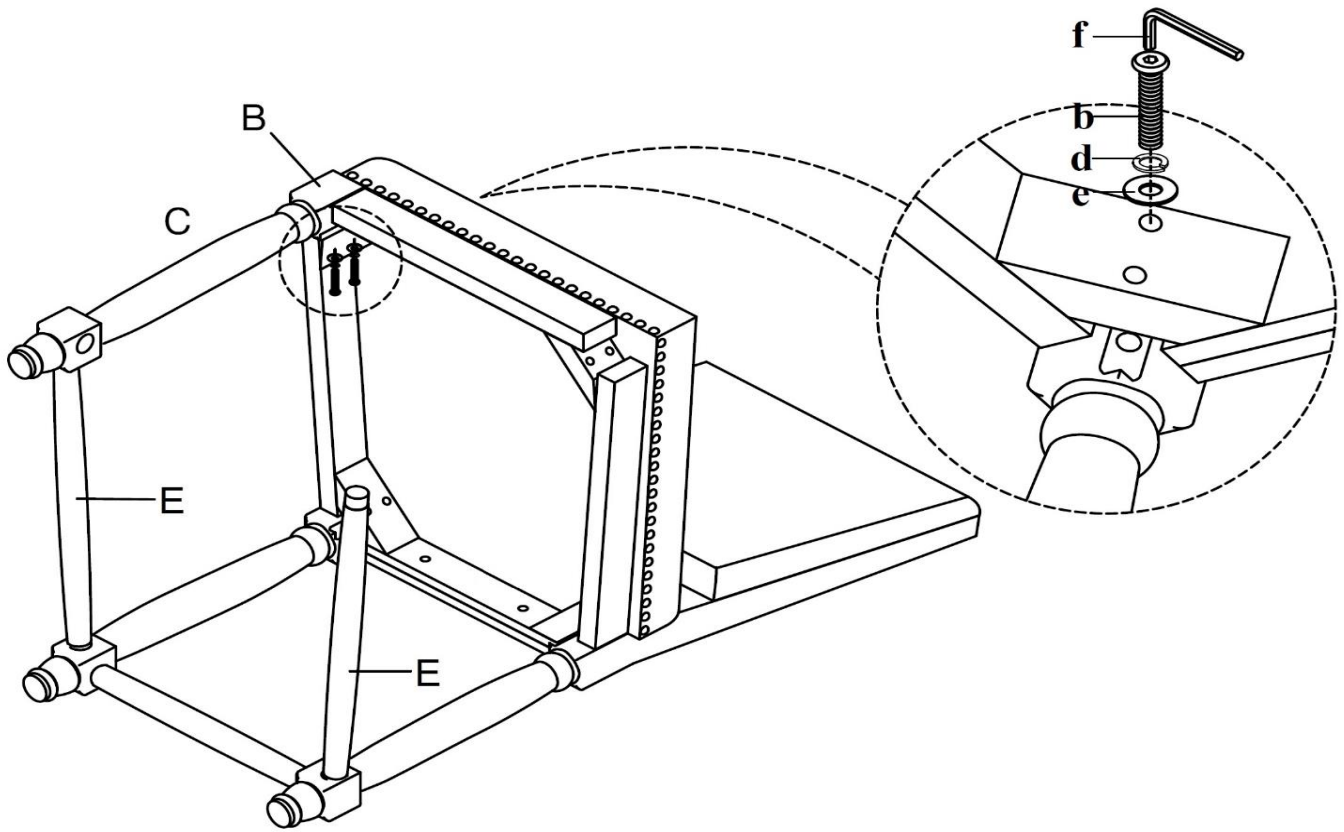
- 1). Assemble • Please carefully read all instructions before assembling the stool.
- 2) Attach Chair Seat (B) to the Chair Back (A) using Bolts (a), for corner block, Bolt (c) at centre, Lock Washers (d) and Flat Washer (e).



Step 2. Insert the Side Stretchers (e) into the hole on Chair Back (A) as shown.

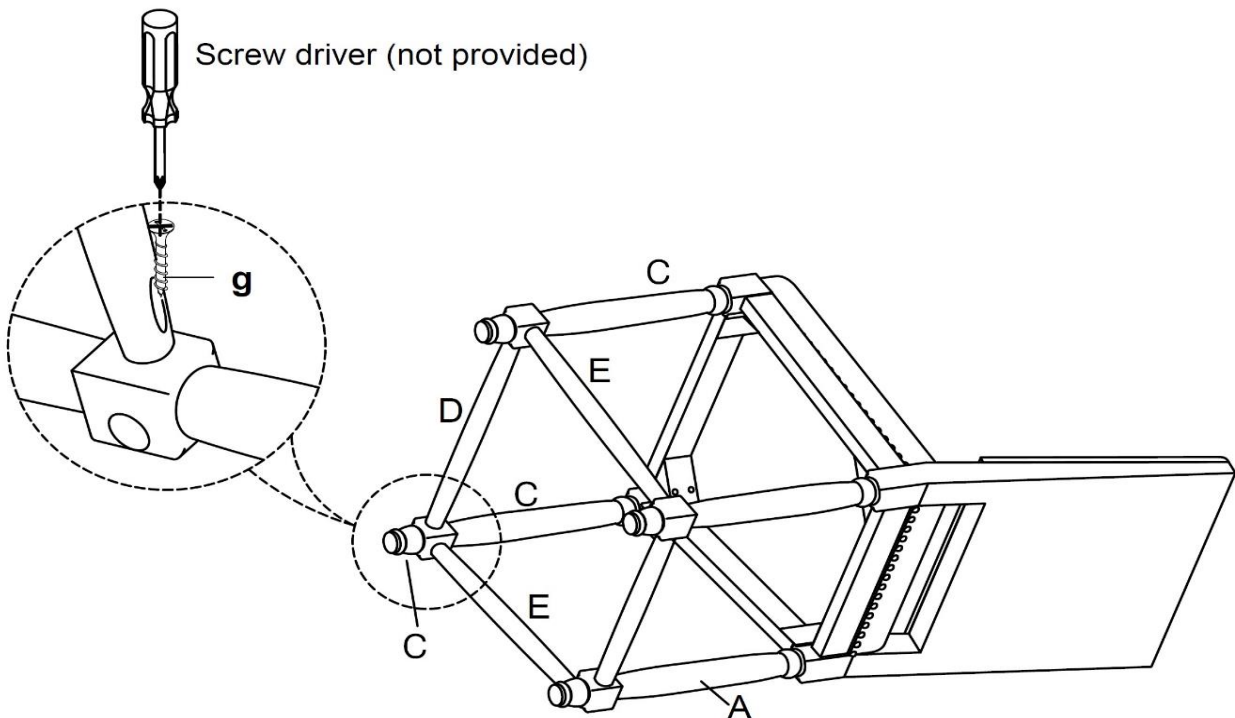


Step 3. Attach one Front Leg (C) to the Chair Seat (B) and the Side Stretcher (E) according the label on the top of left leg and the corner block, using bolts (b), lock washers (d) and flat washers (e). Loosely tighten with Allen v • Please carefully read all instructions before assembling the stool.



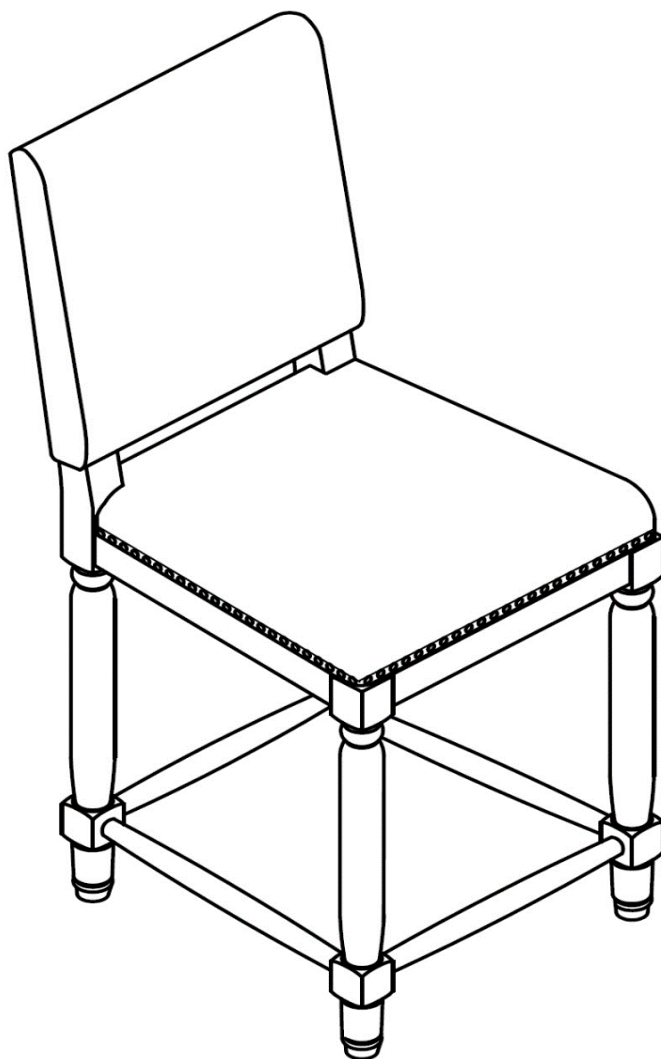
Step 4.

- 1). Insert Front Stretchers (D) between the two legs (C). Then repeat the step 3 to attach another Front Leg (C).
- 2). Make sure all screw holes on all stretchers face down, then securely tighten all bolts with Allen wrench (f), but do not over tighten the bolts. Tighten screws (g) through the stretchers (D) & (E) to the legs (C) and chair back legs with screwdriver (not provided).



Step 5. Turn assembled the stool to an upright position. Securely tighten all bolts by Allen wrench (f). Assembly is complete. Failure to follow these instructions may cause the bolts to misalign during assembly.

- Please carefully read all instructions before assembling the stool.



ADDITIONAL NOTE ABOUT SAFETY: BOLTS MAY LOOSEN DURING NORMAL EVERDAY USE. THEY SHOULD BE PERIORICALLY INSPECTED AND RE-TIGHTENED TO PREVENT DAMAGE OR INJURY. ALWAYS CHECK TO BE SURE THAT ALL HARDWARE IS KEPT TIGHTENED.

Thank you for your purchase