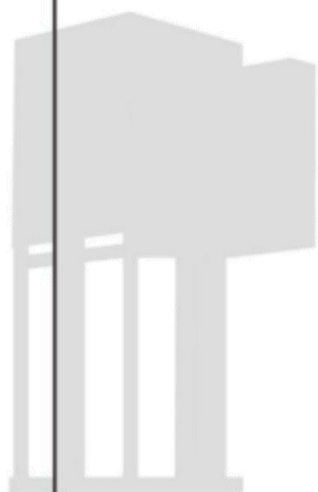




OPERATIONS MANUAL



Instruction



Where to Place Your Outdoor Wall Lights

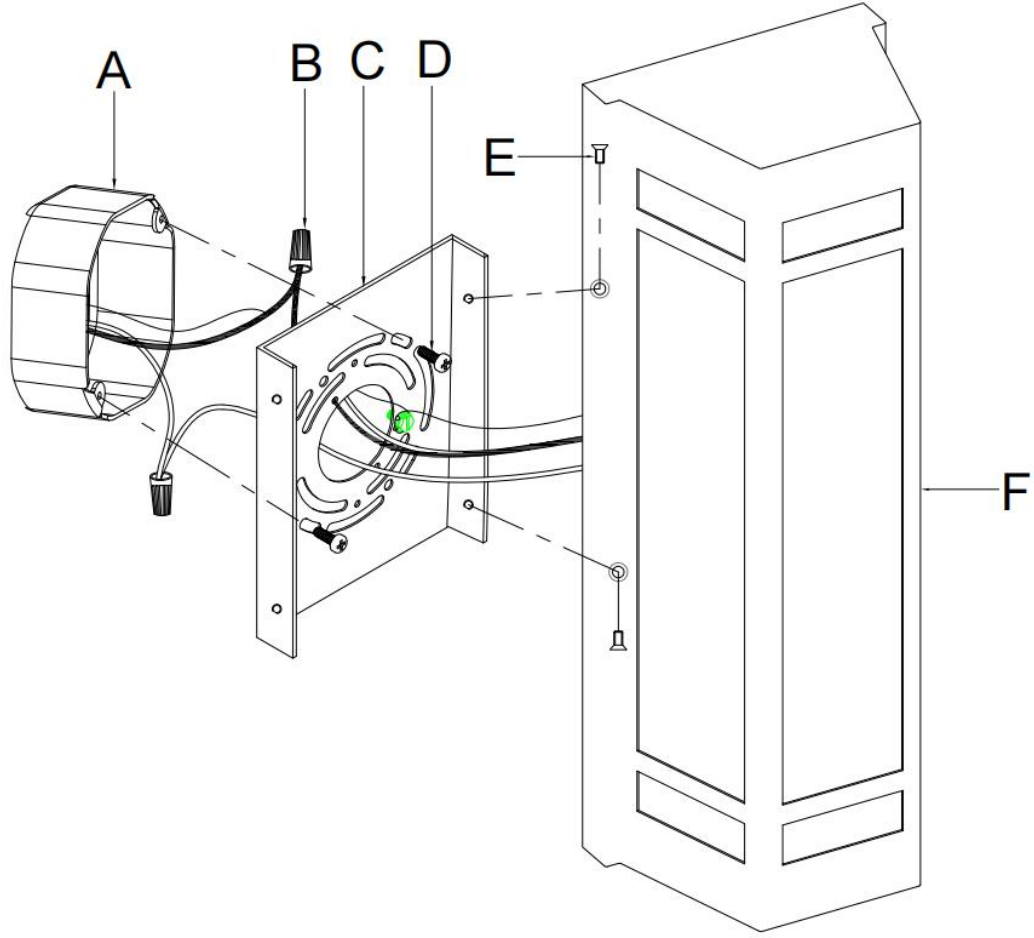
If you have one light next to your entryway or garage door, then it should be 1/3 of the height of the door. If you will be placing one light on each side of the door, then the lights should be 1/4 of the height of the door. To do this, measure from the floor to the top of your door, then divide by 4 for two lights or 3 for one light. For example, if your door is 80" tall, divide by 4, and buy two lights that are each 20" tall. The lights should also be placed 66" from the floor or ground to properly illuminate the lock and handle. Lights should also be placed 6" from the edge of the door. If you choose to have only one light, make sure it is placed on the side of the door closest to the door handle.

What should I do if the glass lampshade I received is cracked or broken?

We understand that receiving a damaged product can be disappointing. If you find that your glass lampshade is cracked, broken, or otherwise not in perfect condition, please contact us immediately. Our customer service team is dedicated to providing you with the best possible solution and ensuring your satisfaction.

Installation Procedure:

- Step 1: unscrew screw E from the lamp body and remove the hanging plate C;
 - Step 2: Install the hanging plate C lock on the junction box A with screw D;
 - Step 3: use terminal B The ground line and the input line are connected respectively;
 - Step 4: Lock the lamp body on the hanging plate C with screw E;
- Installation completed

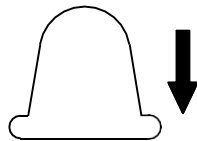


Colorful Remote Control Button Instructions

Press and hold the light on button for code matching within 15 seconds of power on, and press and hold the light off button to decode

Turn off lights/automatic cycle mode				Turn on the light
Brightness -/Colorful Dimming				Brightness+
Red light/green light				Blue light
color temperature -/Cold white warm white switching				color temperature +
Dynamic mode+/external label signal+				Dynamic effects+
Dynamic mode-/external label signal-				Dynamic effects-
1H shutdown/2H shutdown				3H shutdown
External label dynamics 1/External label dynamics 2				External label dynamics 3

Remove the insulation sheet before use



Note: Therefore, the remote control includes a mode, where some button functions may mix and match, resulting in some buttons being ineffective under specific functions and not considered as button function failure