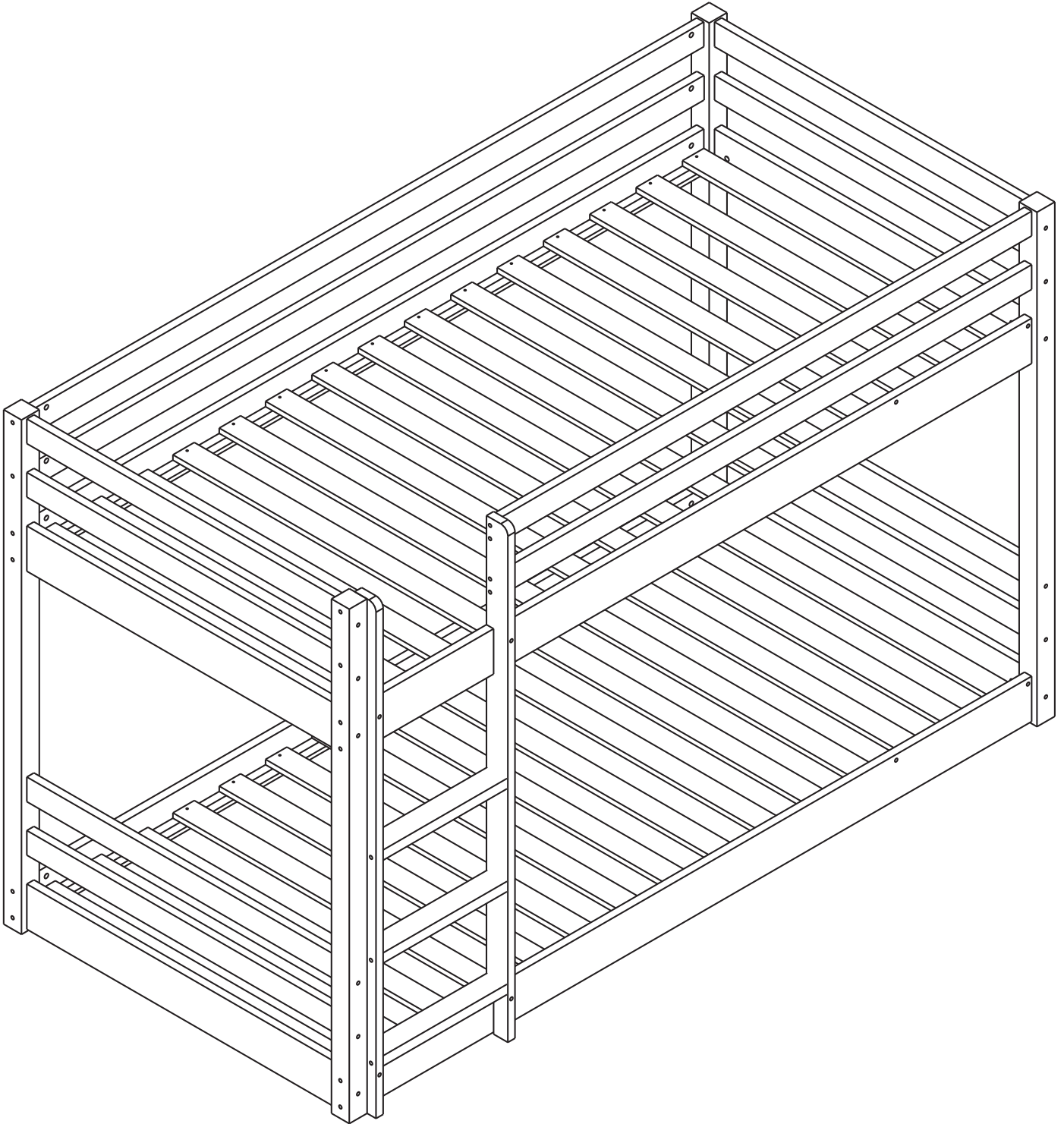


IMPORTANT – READ CAREFULLY – RETAIN FOR FUTURE REFERENCE

- A) **WARNING** – The upper bed of bunk beds are not suitable for children under six years old due to the risk of injury from falls.
- B) **WARNING** – Bunk beds can present a serious risk of injury from strangulation if not used correctly. Never attach or hang items to any part of the bunk bed that are not designed to be used with the bed, for example, but not limited to ropes, strings, cords, hooks, belts and bags.
- C) **WARNING** – children can become trapped between the bed and the wall, a roof pitch, the ceiling, adjoining pieces of furniture (e.g. cupboards) and the like. To avoid risk of serious injury the distance between the top safety barrier and the adjoining structure shall not exceed 75mm or shall be more than 230mm.
- D) **WARNING** – Do not use the bunk bed if any structural part is broken or missing.
- E) Always follow the manufacturer's instruction.
- F) Recommended size of mattress: upper bed: 90 x 190cm and lower bed: 135 x 190cm
- G) Maximum thickness of mattress 15cm.
- H) Periodically check and ensure that the guardrails, ladder, and other components are in their proper position, free from damage. Also, make sure the connectors are tight and secure.
- I) Ventilation of the room is necessary in order to keep the humidity low and to prevent mould in and around the bed
- J) This item meets the UK test standards

Low Bunk Bed Assembly Instructions



Safety and Care Advice

Important – Please read these instructions fully before starting assembly

- ξ Check you have all the components and tools listed on the pages below

ξ Remove all fittings from the plastic bags and separate them into their groups.

ξ Keep children and animals away from the work area, small parts could choke if swallowed.
- ξ Make sure you have enough space to lay out the parts before starting.

ξ Do not stand or put weight on the product, this could cause damage.




ξ Assemble the item as close to its final position (in the same room) as possible.
- ξ Assemble on a soft, level surface to avoid damaging the unit or your floor.

ξ We do not recommend the use of power drill/drivers for inserting screws, as this could damage the unit. Only use hand screwdrivers.

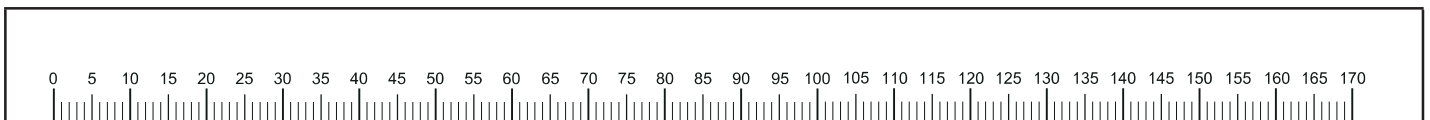
ξ Dispose of all packaging carefully and responsibly.

Care and Maintenance

- ξ Only clean using a damp cloth and mild detergent, do not use bleach or abrasive cleaners.
- ξ From time to time check that there are no loose screws on this unit.
- ξ This product should not be discarded with household waste. Take to your local authority waste disposal centre.

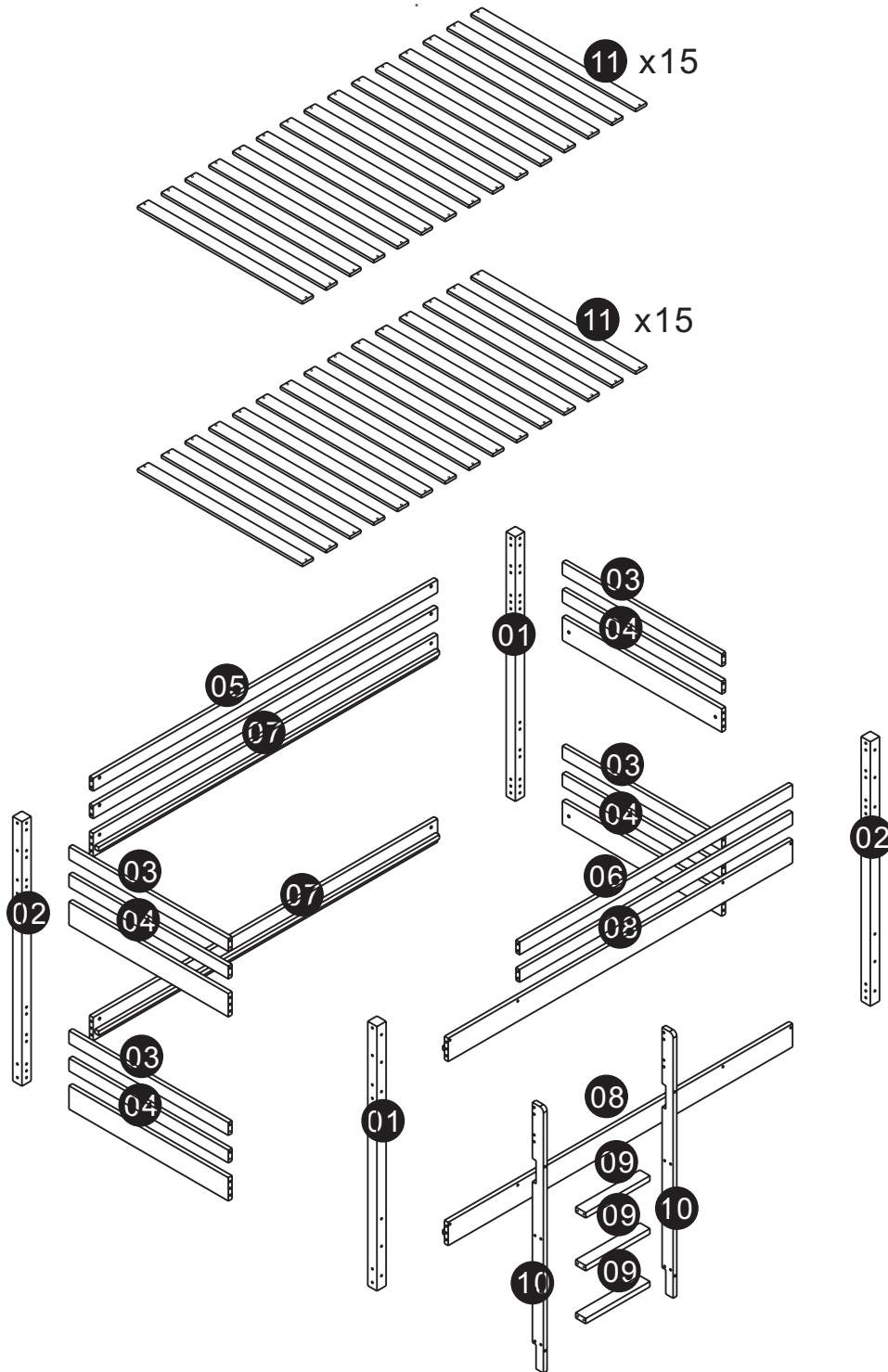
Do not use power tools	No. people	Assembly Time	Tools required
		60 mins (approx.)	





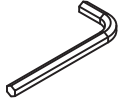
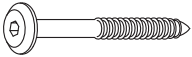

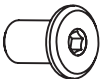


Use a ruler to measure your bolts & screws



Components

Please check that you have all the components listed below before constructing your item.



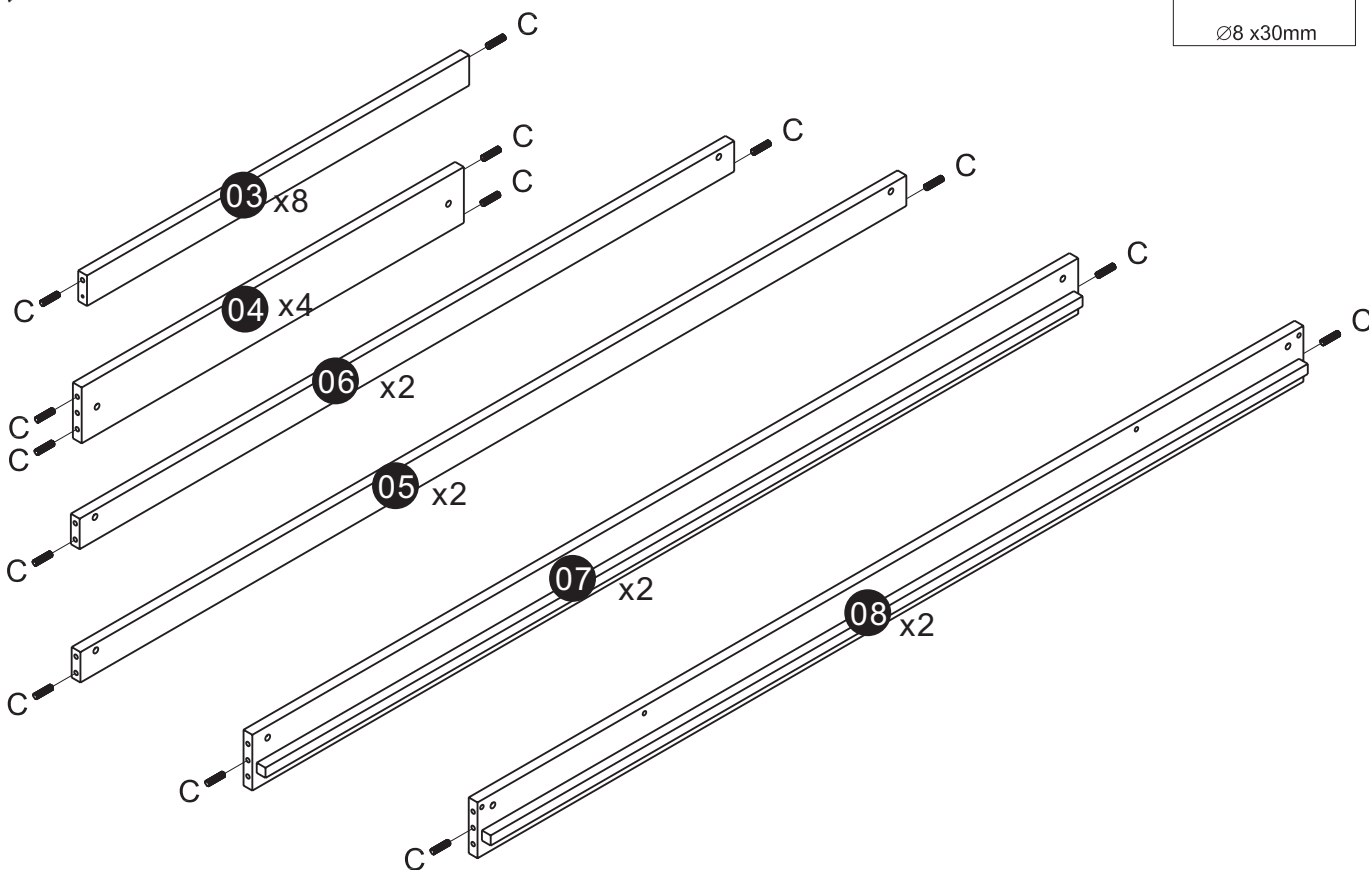
<p>A x60</p>  <p>∅4 x30mm</p>	<p>B x30</p>  <p>M6 x90mm</p>	<p>C x48</p>  <p>∅8 x30mm</p>	<p>D x32</p> 	<p>E x2</p> 
<p>F x16</p>  <p>∅6 x90mm</p>	<p>G x6</p>  <p>M6x50mm</p>	<p>H x6</p> 	<p>J x2</p>  <p>M6x60mm</p>	<p>K x12</p>  <p>∅7 x60mm</p>

01

C x48

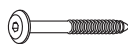


∅8 x30mm



02

F x16



∅6 x90mm

B x8

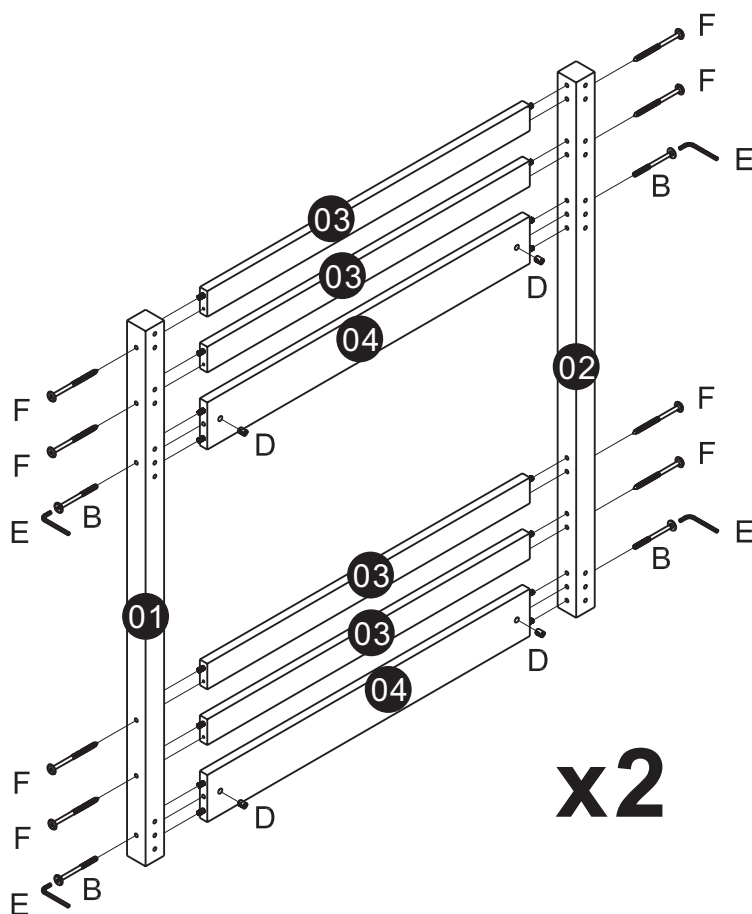


M6 x90mm




D x8

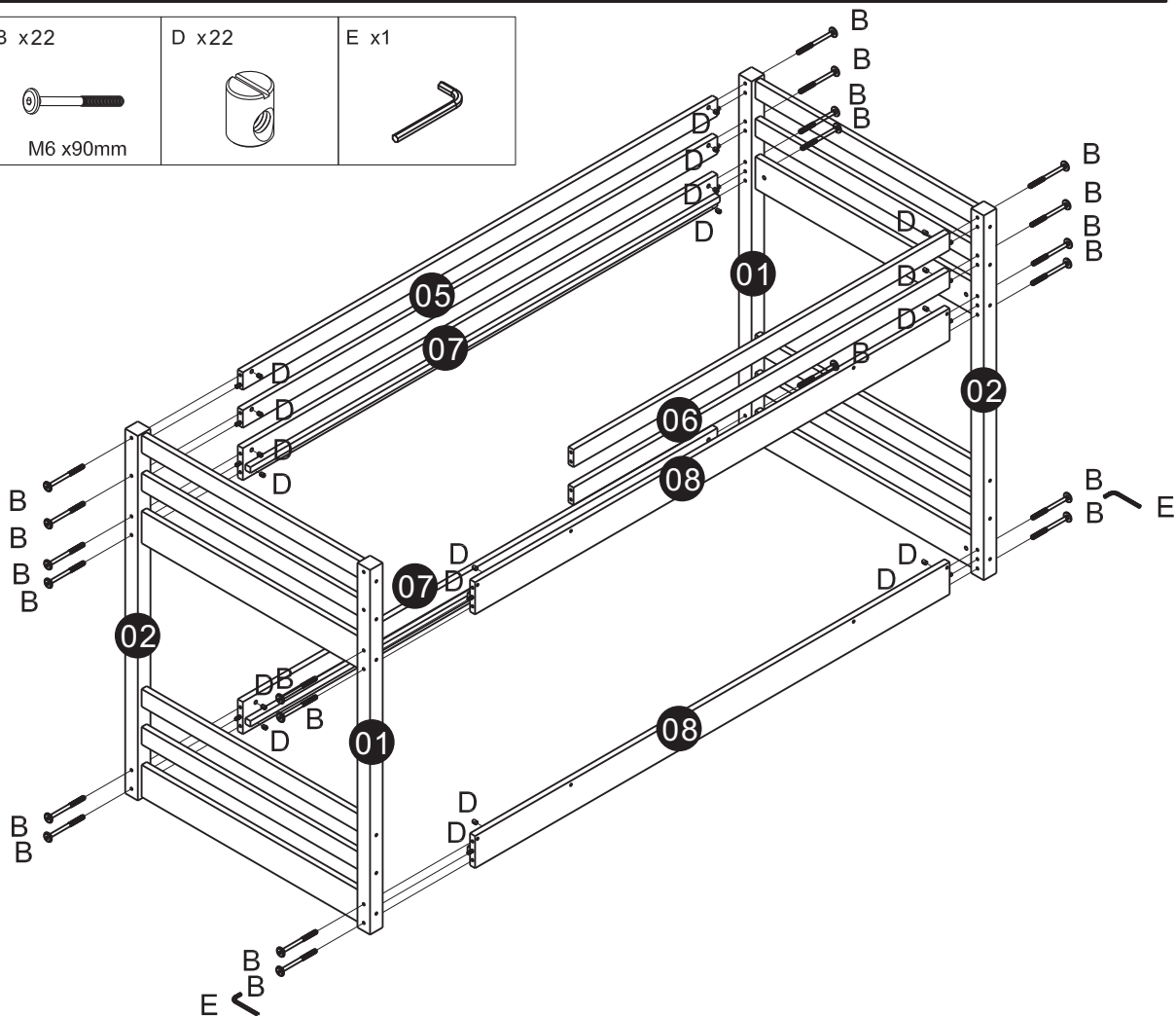


E x1




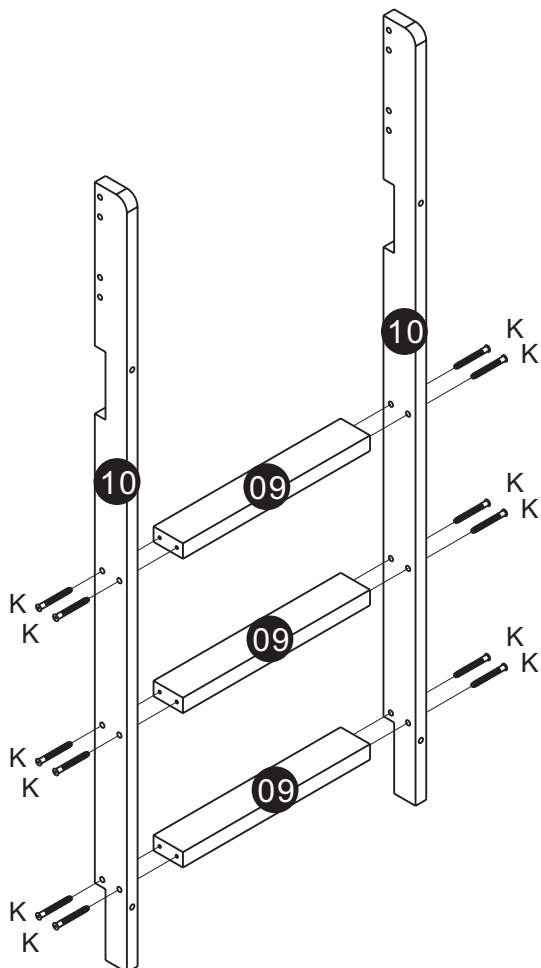
03

B x22  M6 x90mm	D x22 	E x1 
--	--	---


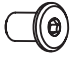




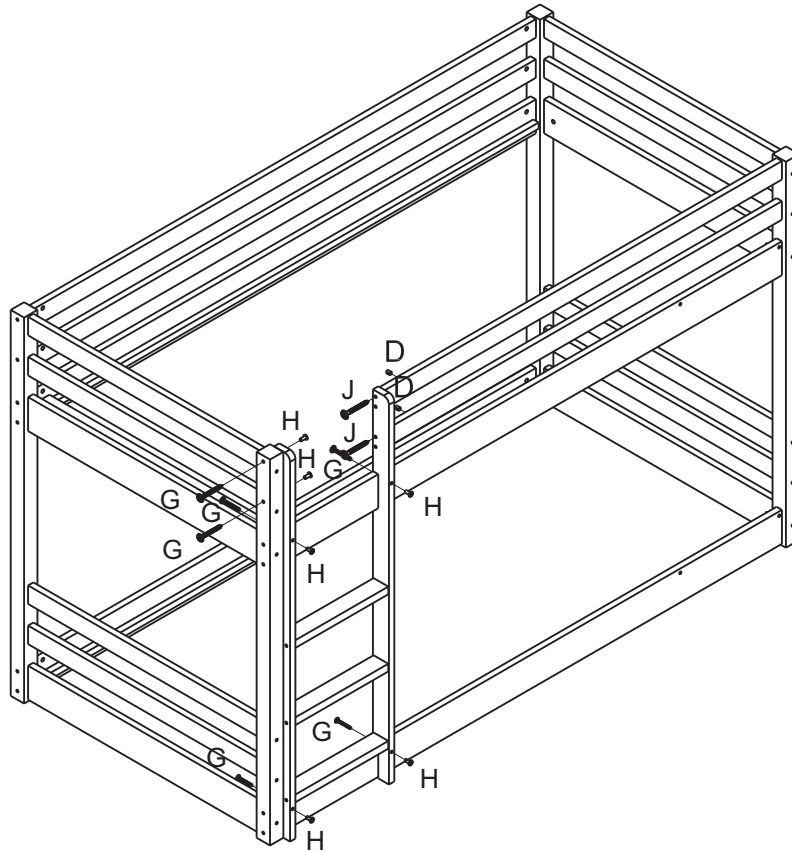
04

K x12  Ø7 x60mm
--




05

G x6  M6x50mm	H x6 	J x2  M6x60mm	D x2 
--	---	--	---



06

A x60  Ø4 x30mm
--

