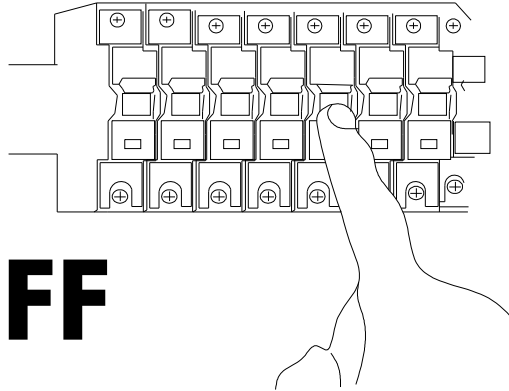


# Installation

1



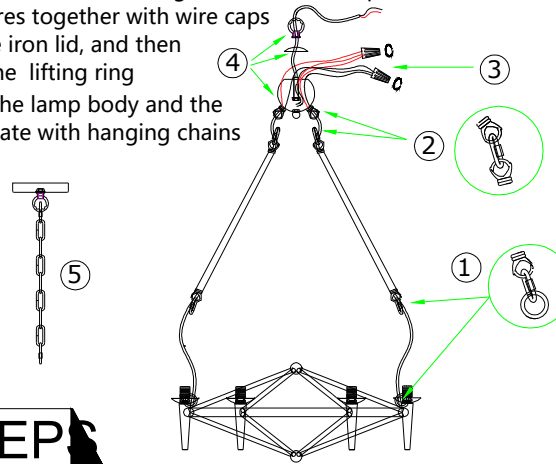
**OFF**

## STEPS

Turn off the power

2

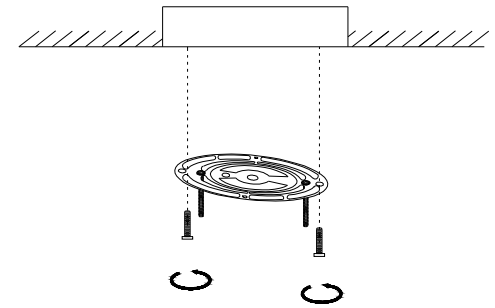
- ① Thread the wire through the suspension rod, and then trap the suspension rod into the hook
- ② The activity buckle connects the suspension rod and the lifting ring on the plate
- ③ Connect the black wires together with wire caps, Connect the white wires together with wire caps
- ④ Cover the iron lid, and then tighten the lifting ring
- ⑤ Connect the lamp body and the ceiling plate with hanging chains



## STEPS

And then proceed to the next step, as shown in Figure 3

3

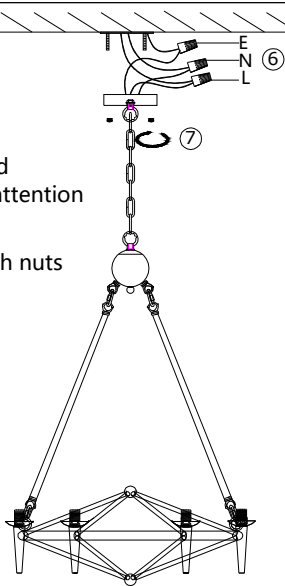
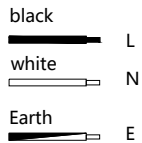


## STEP

Install the hanging board on the ceiling, and then proceed to the next step, as shown in Figure 4

4

- ⑥ Connect the power wire of lamp body to the reserved Power cable, pay attention to the positive and negative poles
- ⑦ Fix the lamp body on the ceiling with nuts

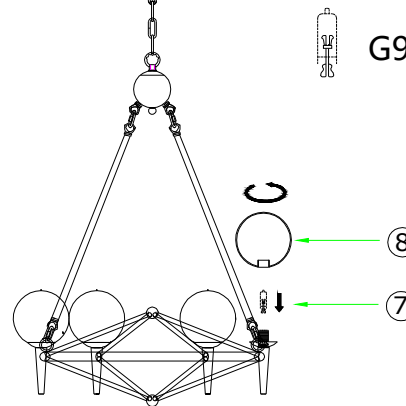


## STEPS

And then proceed to the next step, as shown in Figure 5

5

- ⑦ Insert the light bulb into the lamp head
- ⑧ Twist the glass lampshade onto the lamp body



## STEPS

The installation is complete

## Caution:

Advertencia:

- 1.Voltage: 110V-130V
- 2.Bulb Model: G9/ MAX-40W
- 3.Before installation, please check whether the accessories are complete,If you have any problem, please contact our customer service in time
- 4.Before installation, please cut off the power supply to prevent electric shock.
- 5.Please be sure the installation according to the company's instructions.



Screw



Wire connector



Instruction