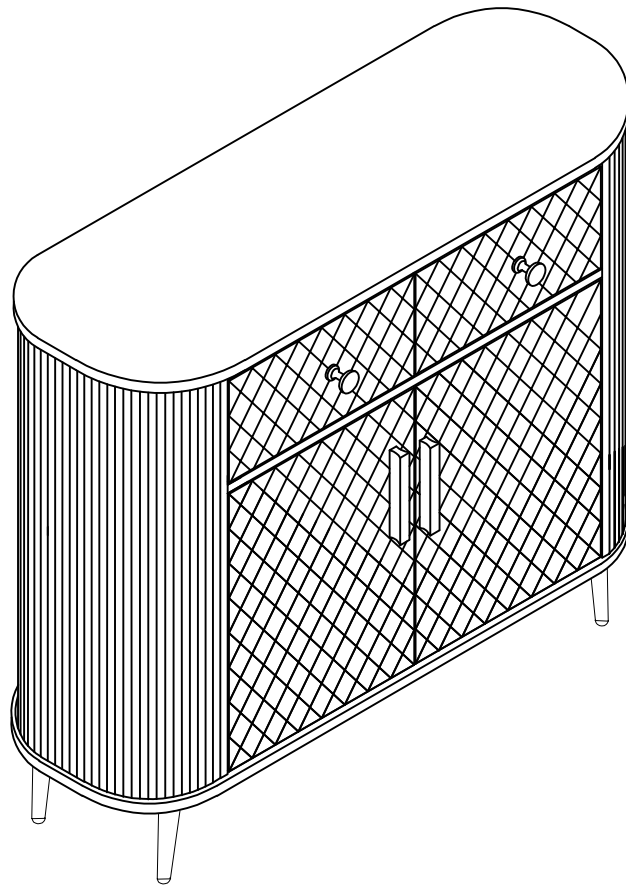
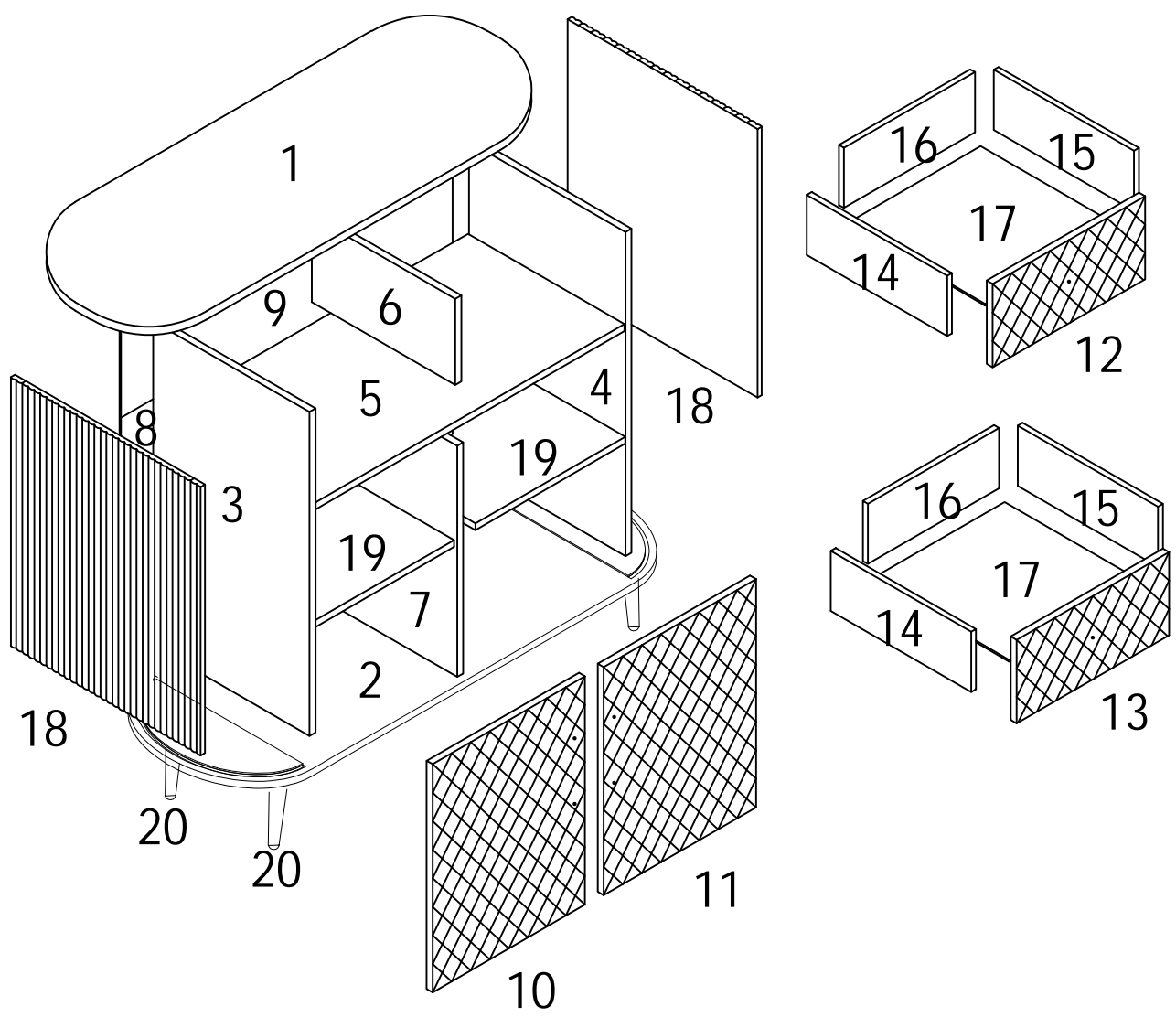



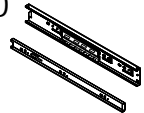


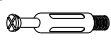
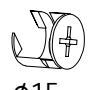

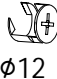


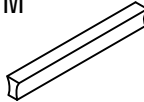

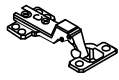

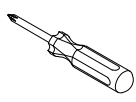

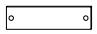






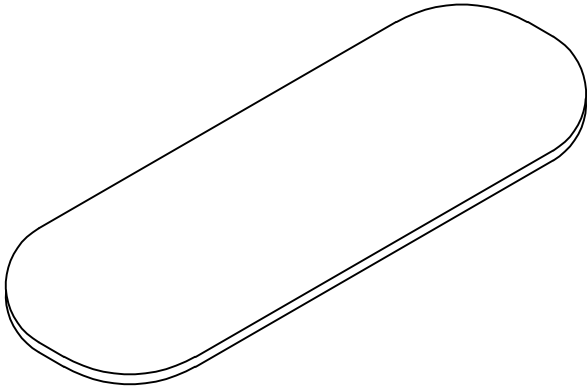
# Assembly Instructions





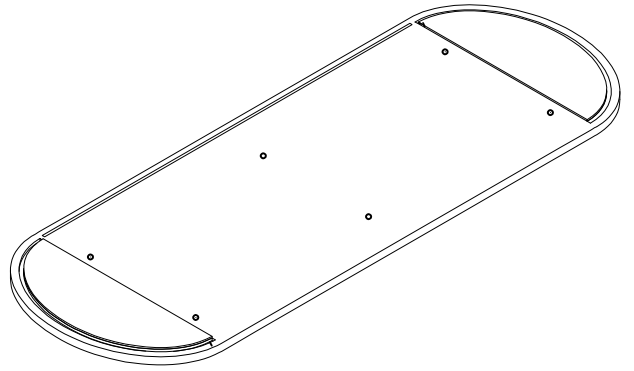
A  3x12mm x24+(2)	B  x12	C  3x14mm x12+(1)	D  x4	E  M6x12mm x16+(1)	F  x2	G  40mm x14+(1)	H  φ15 x14+(1)
I  28mm x8+(1)	J  φ12 x8+(1)	K  6.3x40mm x14+(1)	L  4x18mm x6	M  x2	N  x8	O  x4	P  3.5*16mm x24
Q 	R 	KK  x2	LL  14mm x2	MM  28mm x2	NN  x4	OO  x2	

1



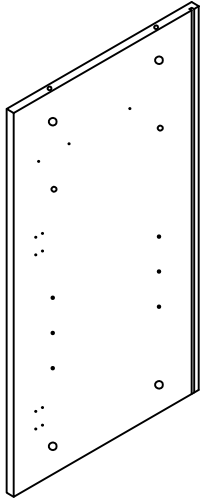
x1

2



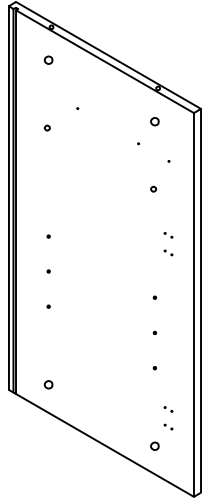
x1

3



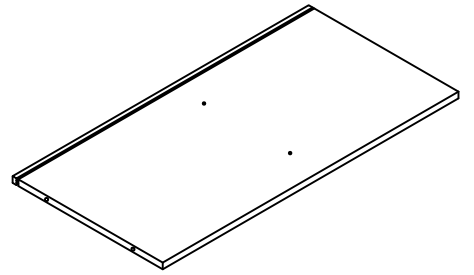
x1

4



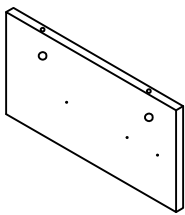
x1

5



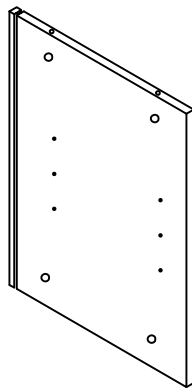
x1

6



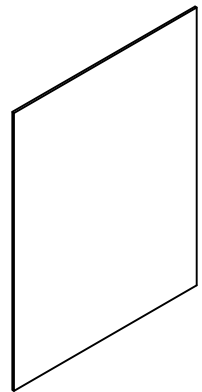
x1

7



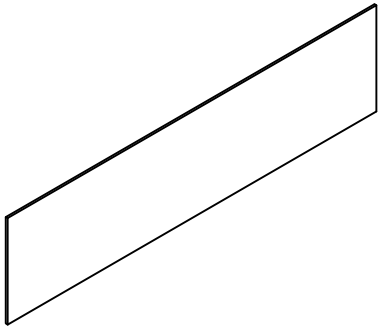
x1

8



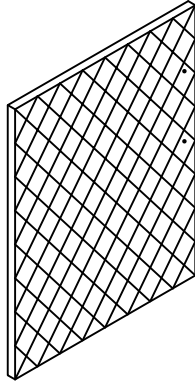
x2

9



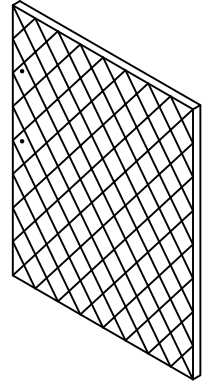
x1

10



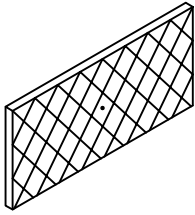
x1

11



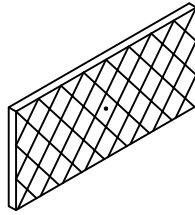
x1

12



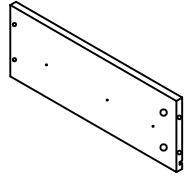
x1

13



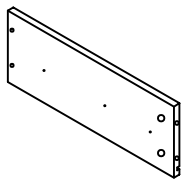
x1

14



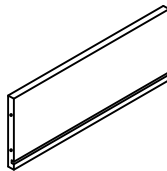
x2

15



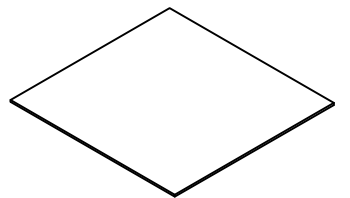
x2

16



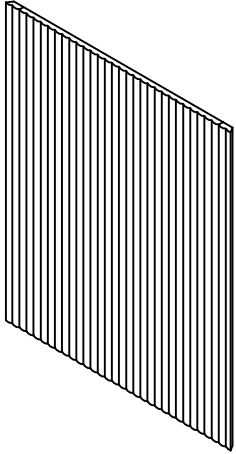
x2

17



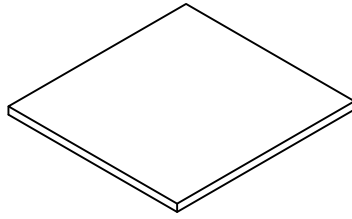
x2

18



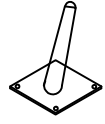
x2

19



x2

20

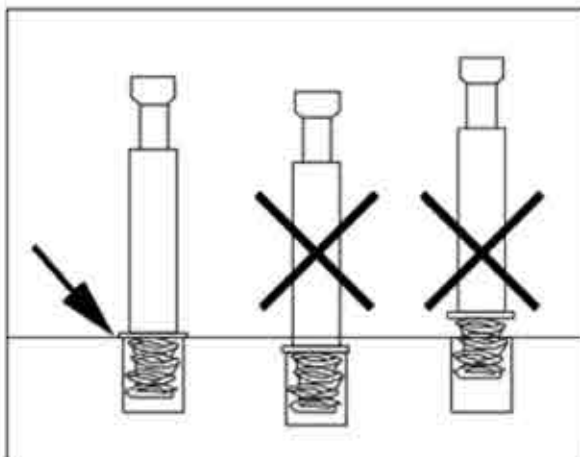
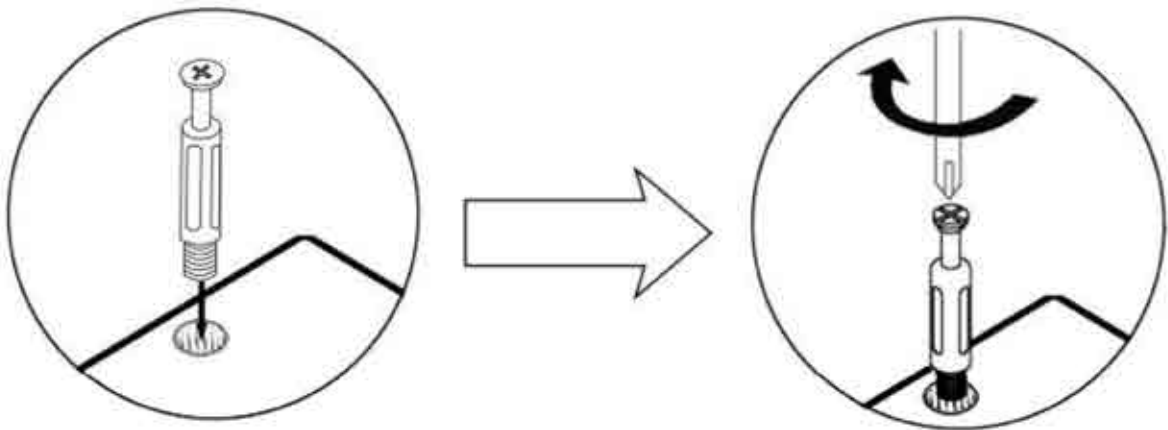


x4



## Hardware installation demonstration

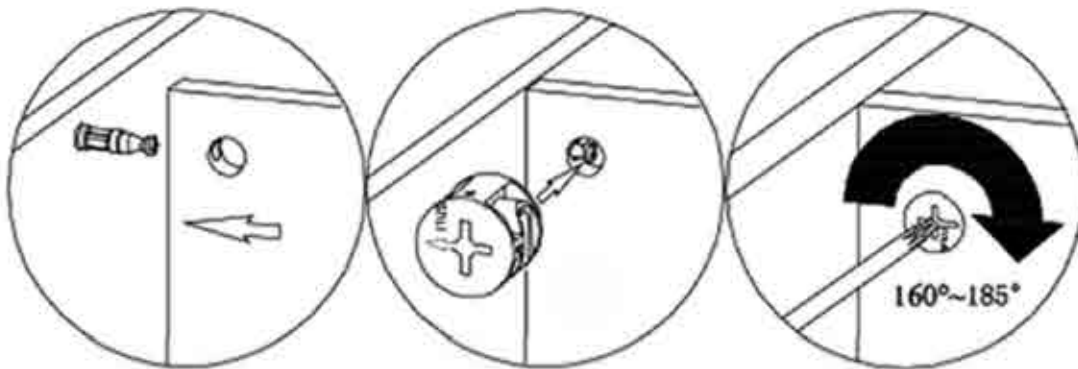
- Please make sure G I hardware tightened and can't be pulled out





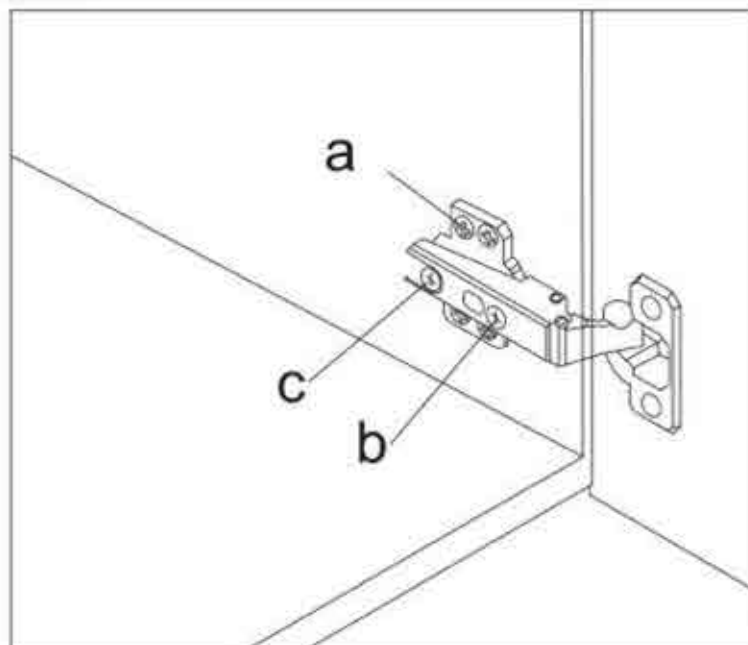
## Hardware installation demonstration

- When inserting cam ensure arrowhead on cam points toward to the hole on the panel edge



### How TO ADJUST THE EUROPEAN ADJUSTABLE HINGES ON DOOR

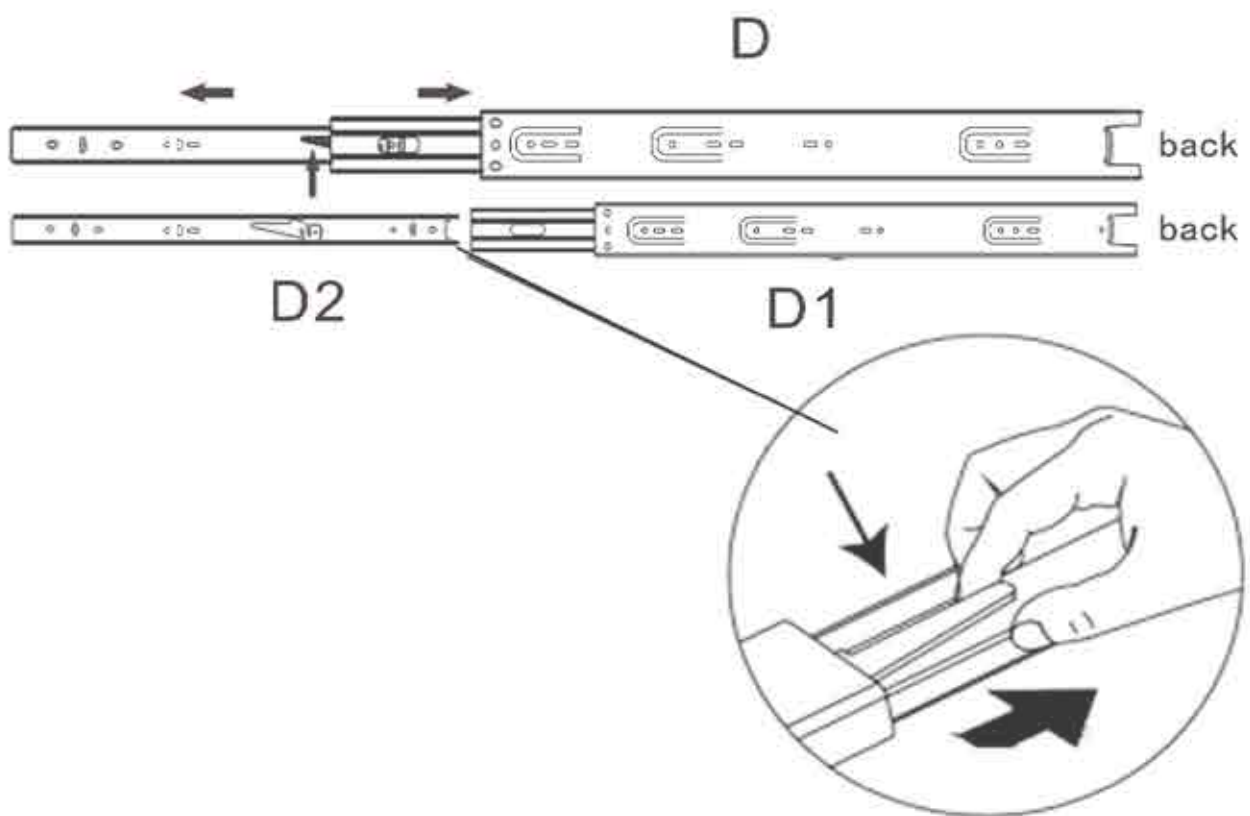
If the doors require adjustment, follow the below options as needed: To adjust door up or down, loosen screws (a), adjust door and retighten screws. To adjust door left and right, turn screw (b) in or out. To adjust door in and out, loosen screw (c), adjust door and retighten screw.





## Hardware installation demonstration

- Before installing the drawer rail, you need to separate the D1 and D2 first.



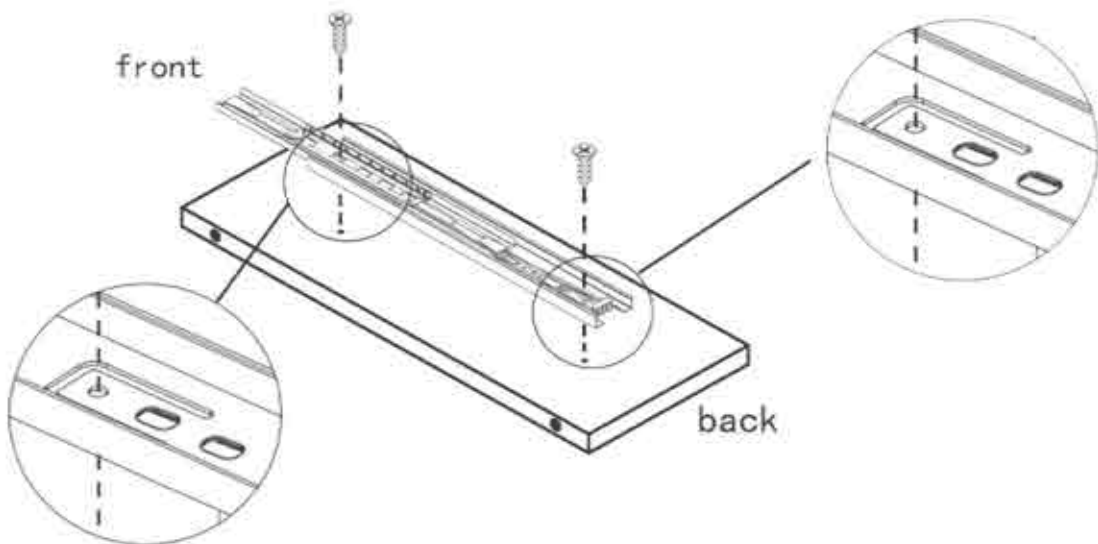
Warm Reminder: Press it and split



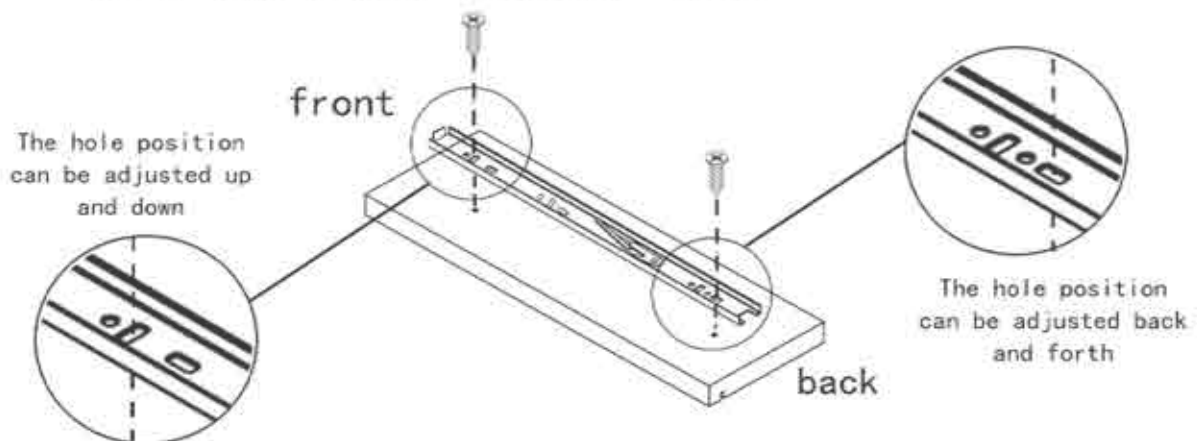
## Hardware installation demonstration



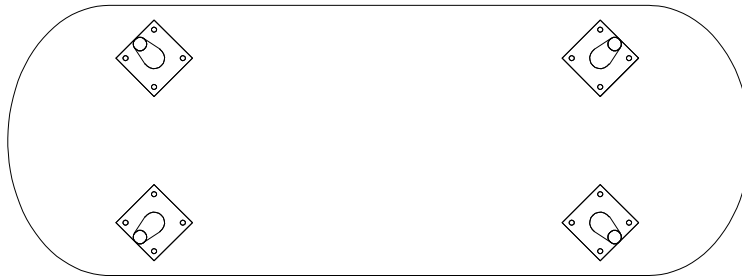
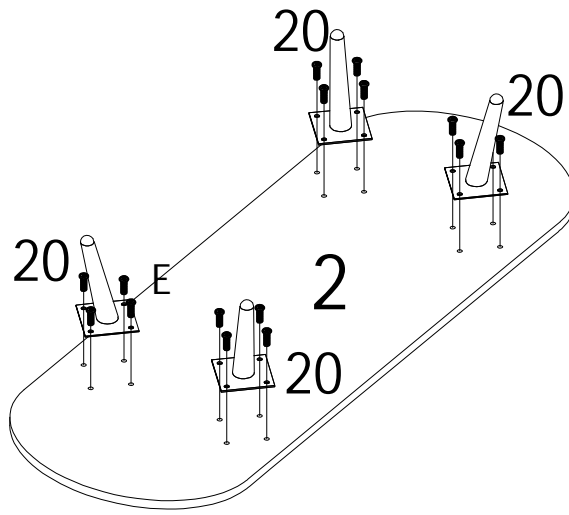
The first screw hole should corresponded with the board location hole




The first screw hole should corresponded with the board location hole

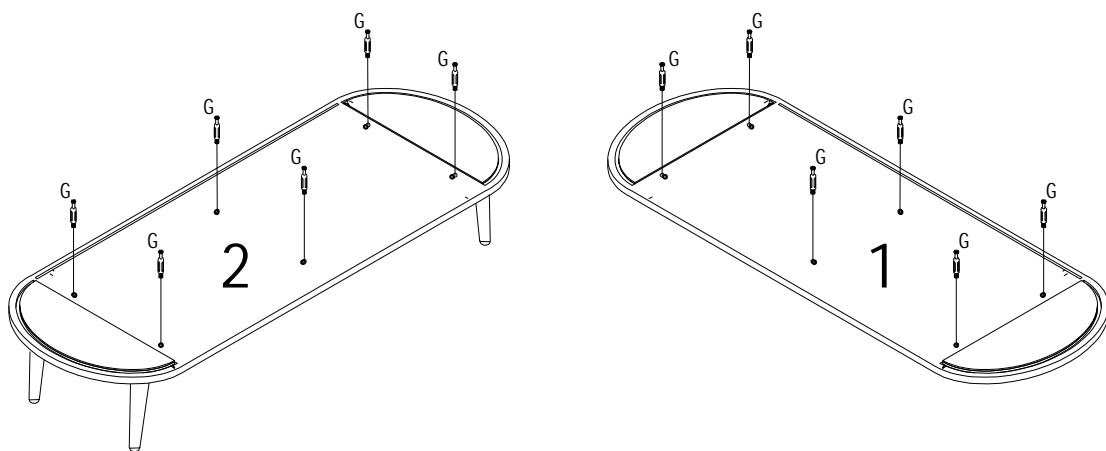



# Step01



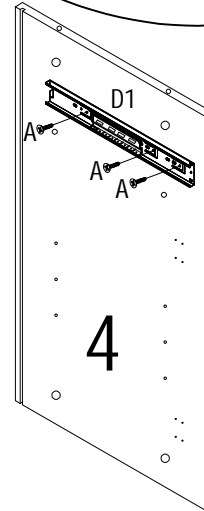
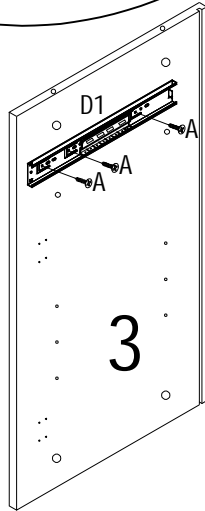
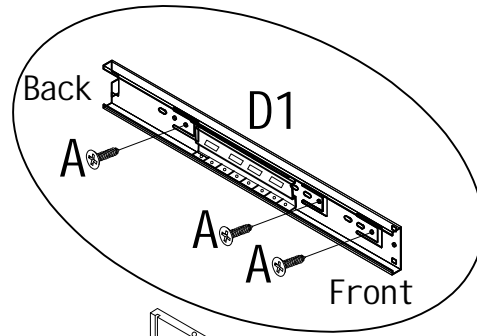
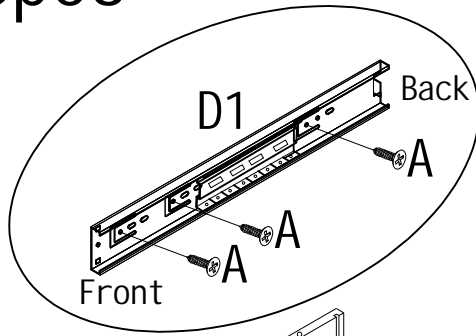
E  
  
M6x12mm  
x16



# Step02



G  
  
40mm  
x12

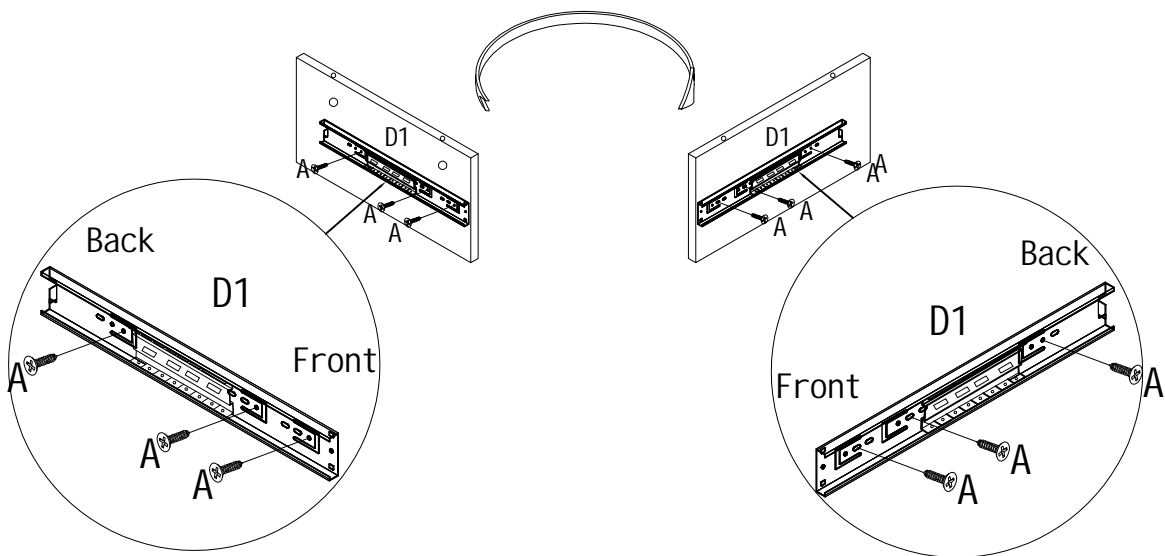
# Step03





A	D1
	
3x12mm	
x6	x2

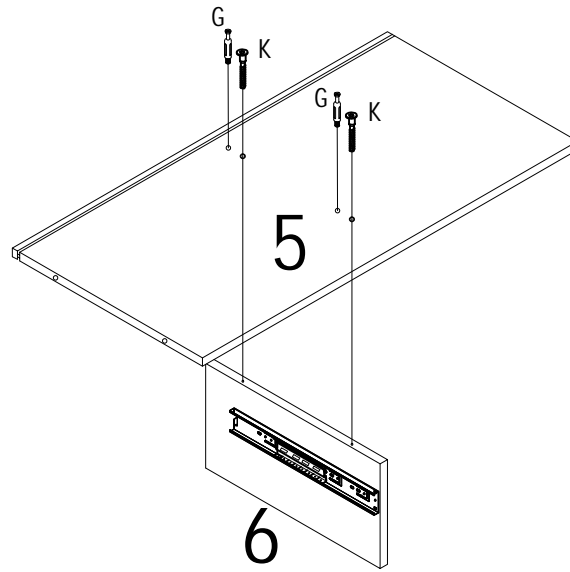
# Step04



6



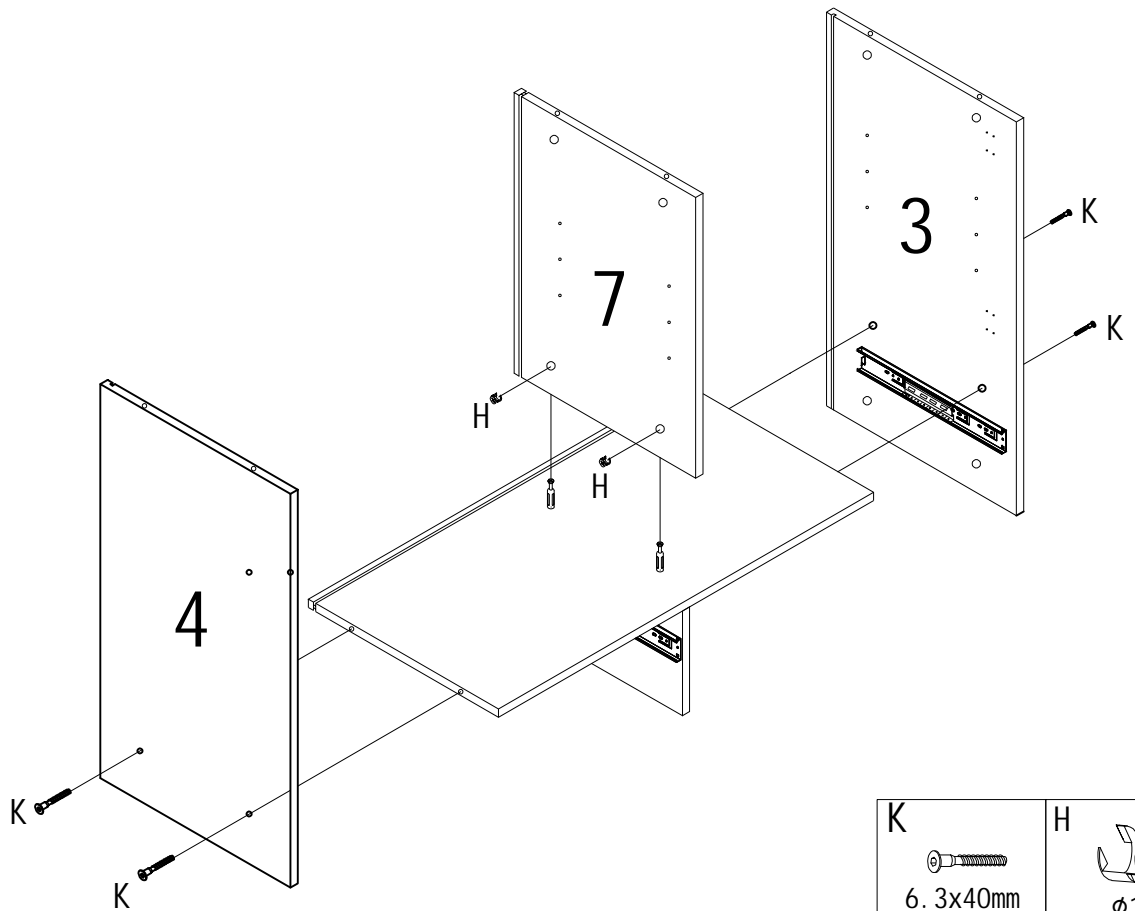
A	D1
	
3x12mm	
x6	x2



# Step05



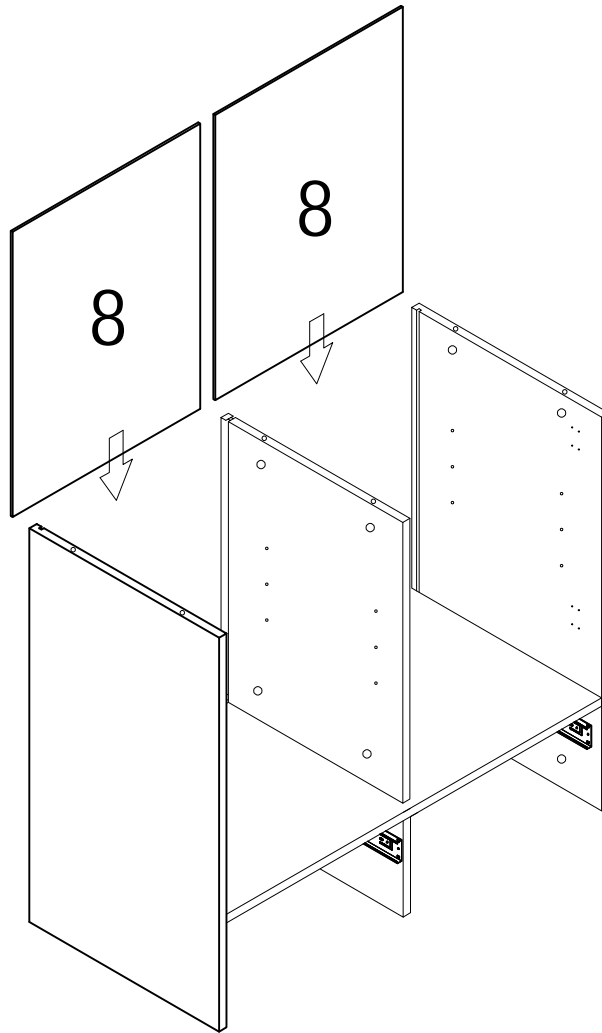
G	K
	
40mm	6.3x40mm
x2	x2

# Step06

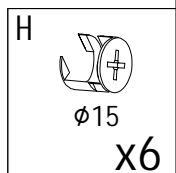
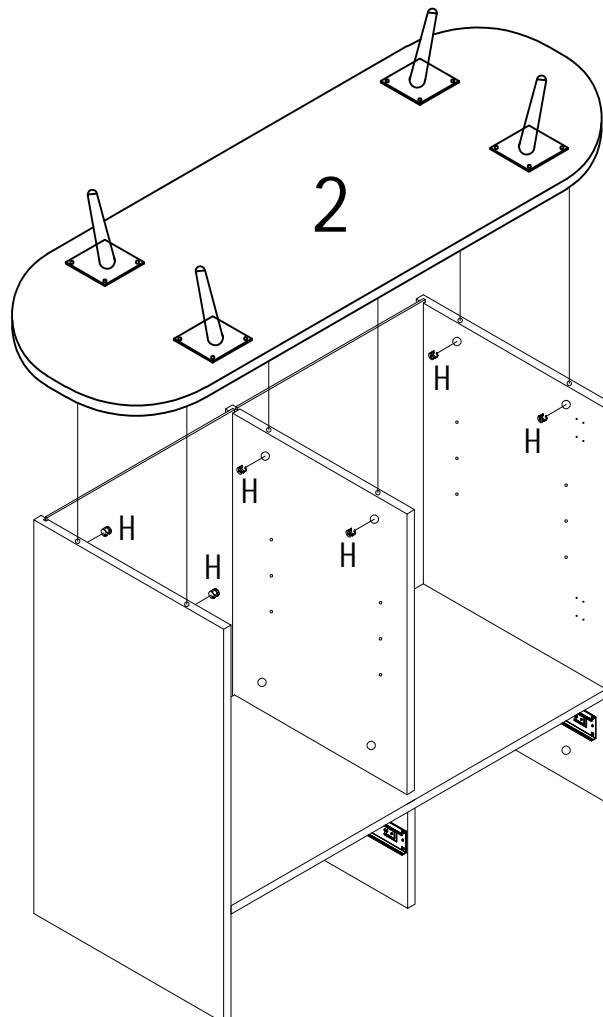


K	H
	
6.3x40mm	Ø15
x4	x2

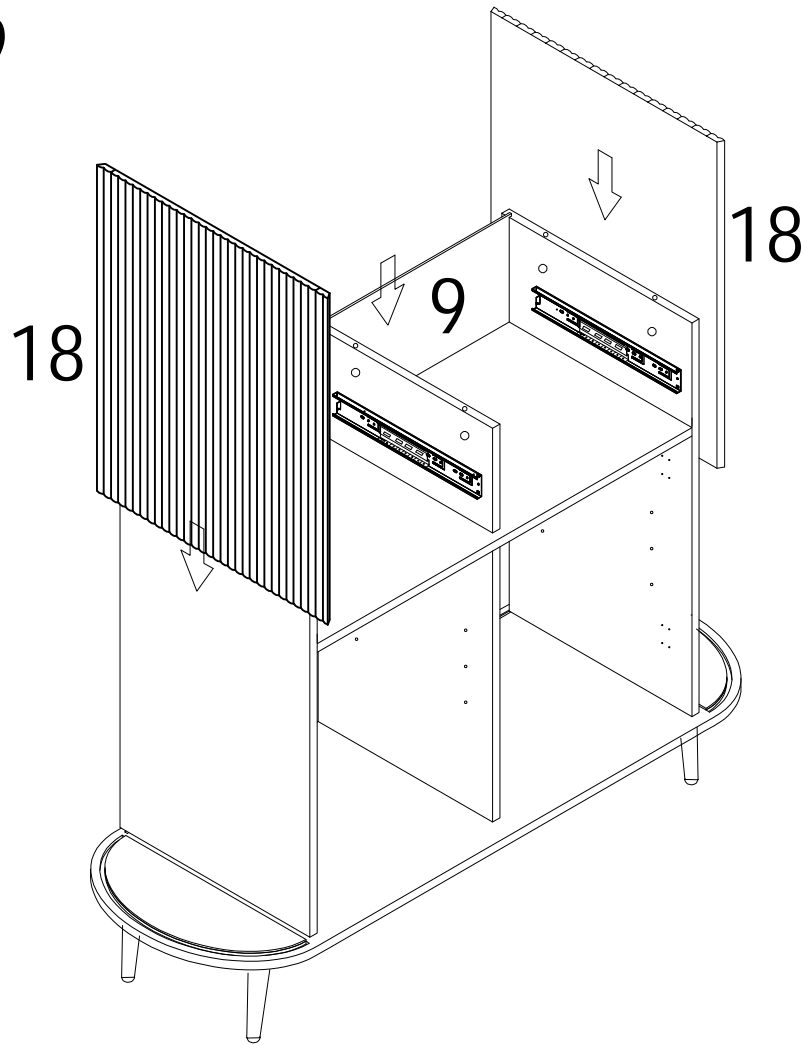
# Step07



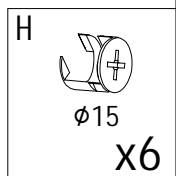
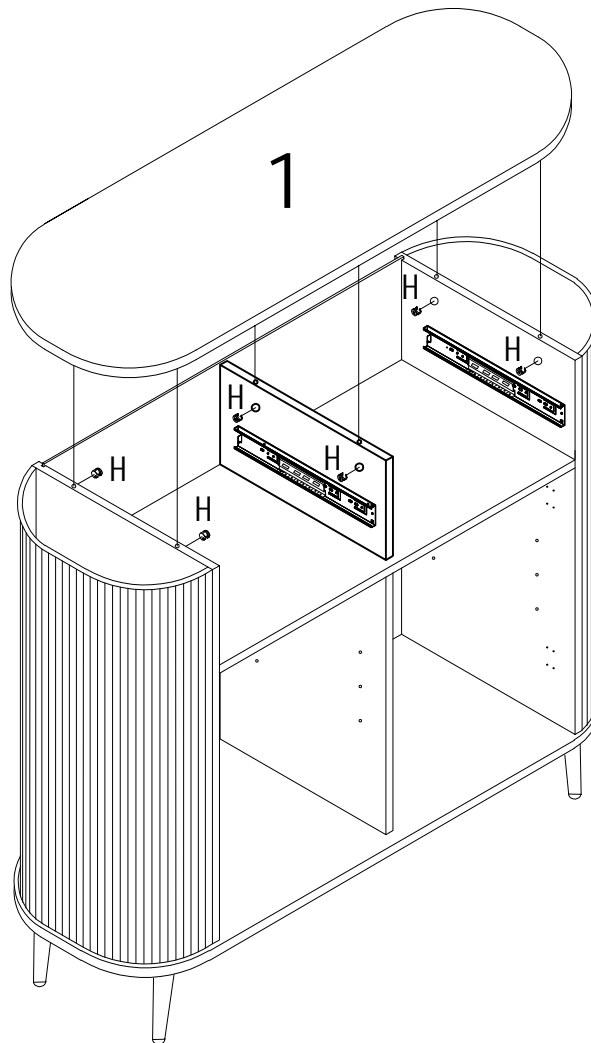
# Step08



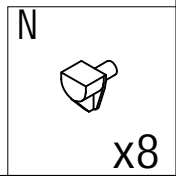
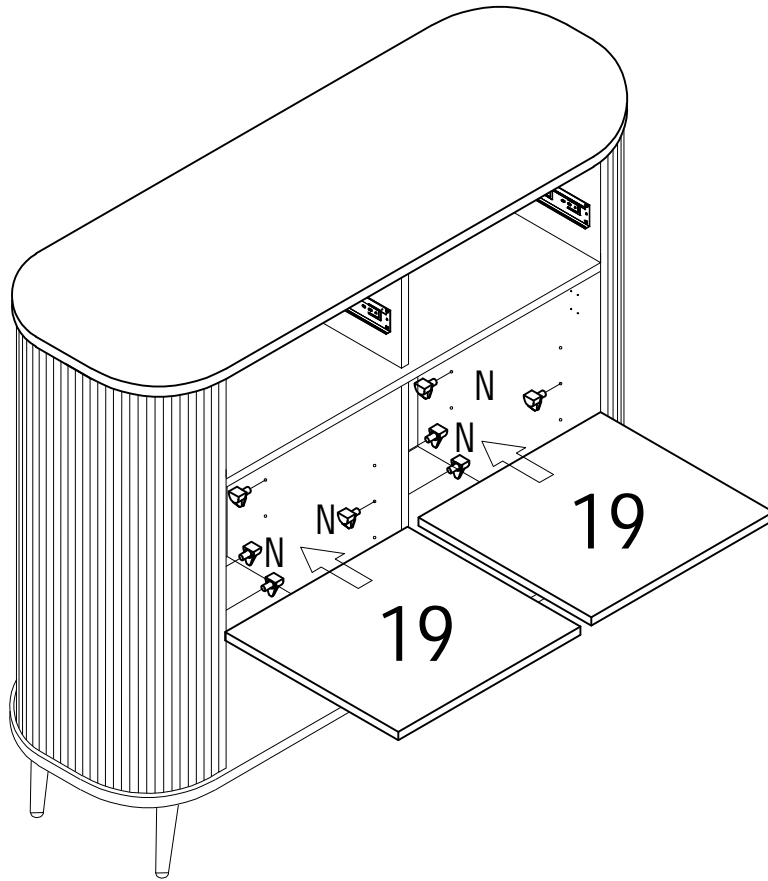
# Step09



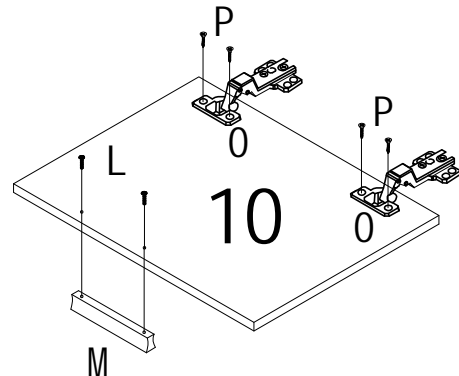
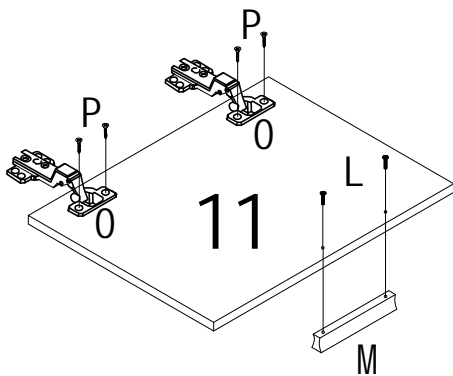
# Step10



# Step11

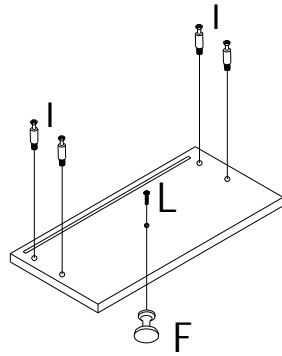


# Step12

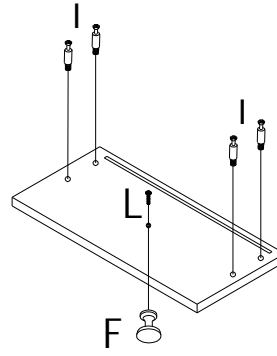


<p>L</p> <p>4x18mm</p> <p>x4</p>	<p>M</p> <p>x2</p>	<p>O</p> <p>x4</p>	<p>P</p> <p>3.5*16mm</p> <p>x8</p>
----------------------------------	--------------------	--------------------	------------------------------------




# Step13



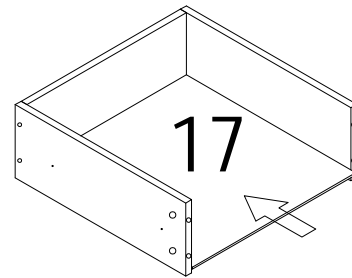
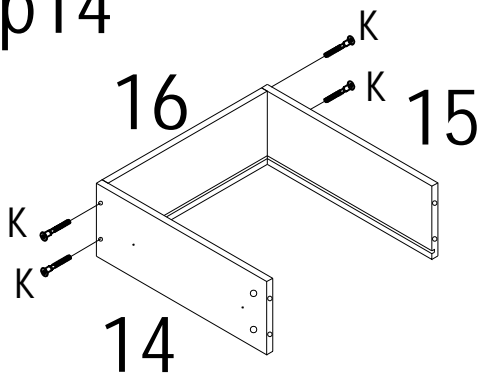
12



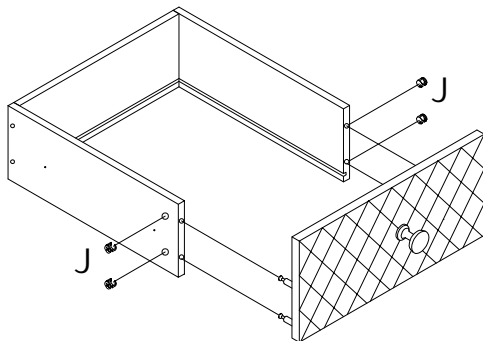
13



<p>F</p>  <p>x2</p>	<p>I</p>  <p>28mm</p> <p>x8</p>	<p>L</p>  <p>4x18mm</p> <p>x2</p>
--	---	--

# Step14



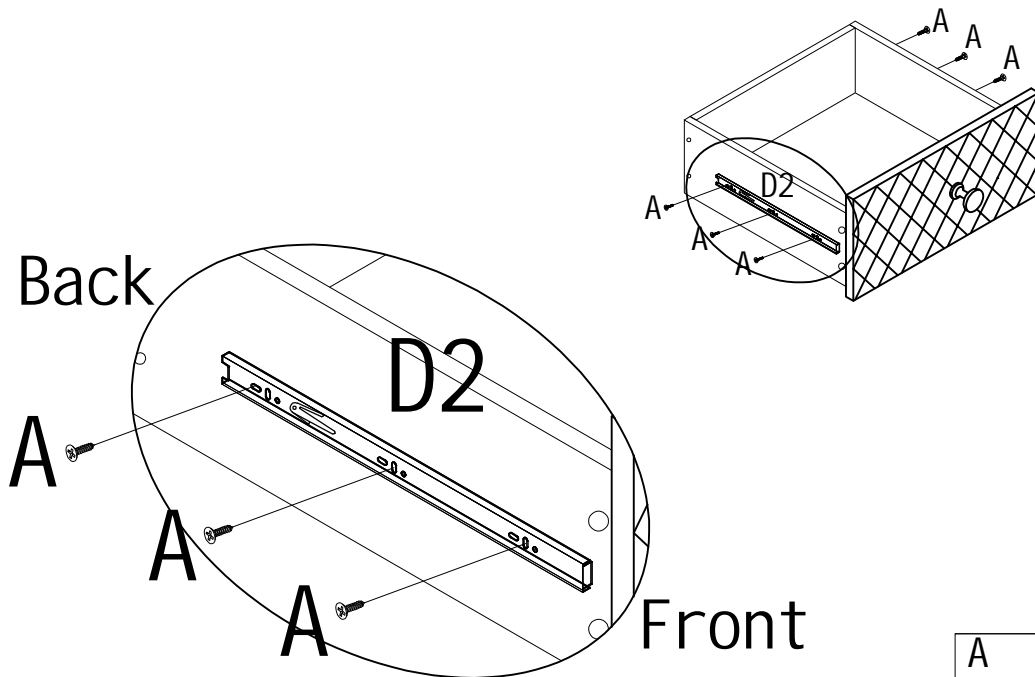
x2





<p>J</p>  <p>ø12</p> <p>x8</p>	<p>K</p>  <p>6.3x40mm</p> <p>x8</p>
---	--

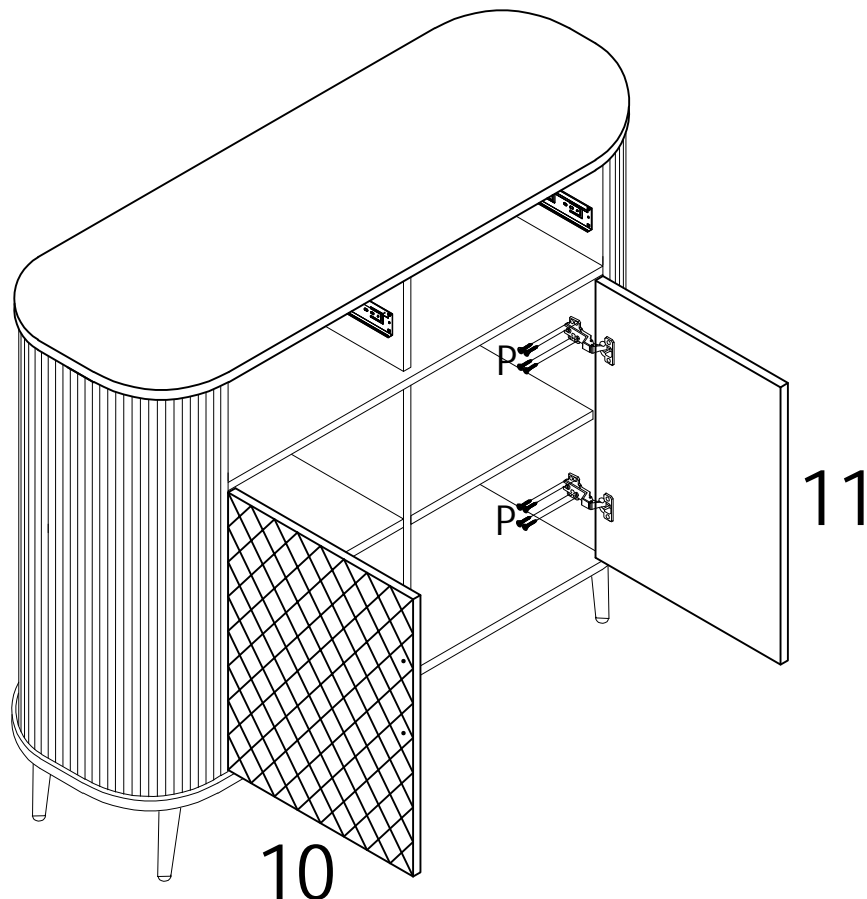
# Step15


# x2



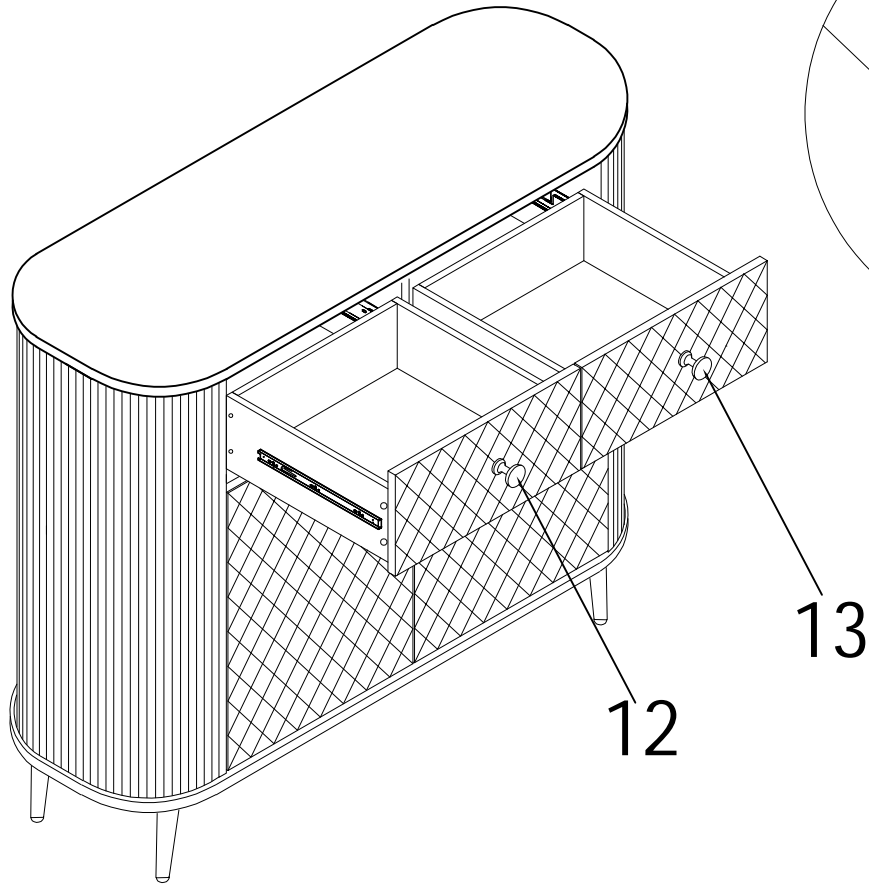
A		D2	
	3x12mm		
	x12		x4

# Step16

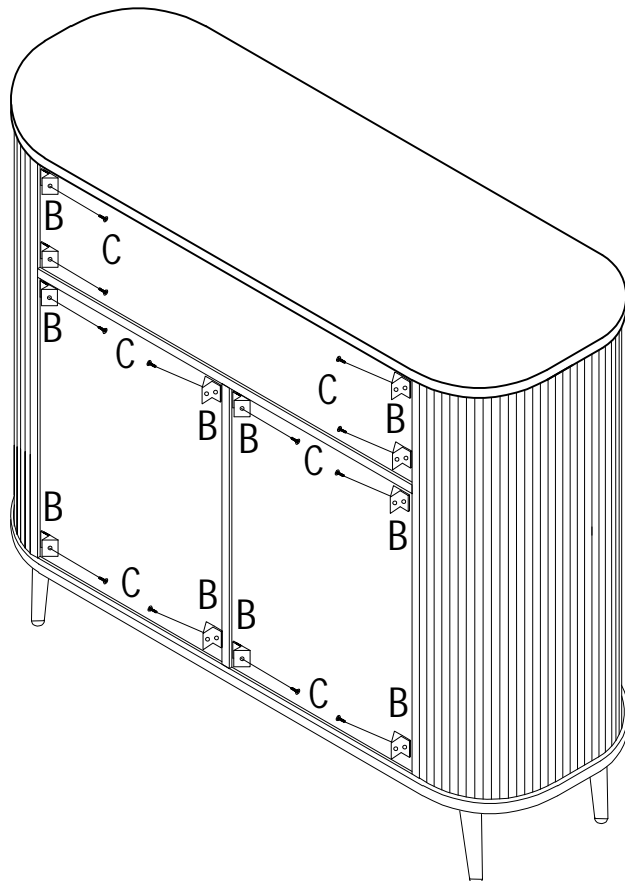




P	
	3.5*16mm
	x16

# Step17

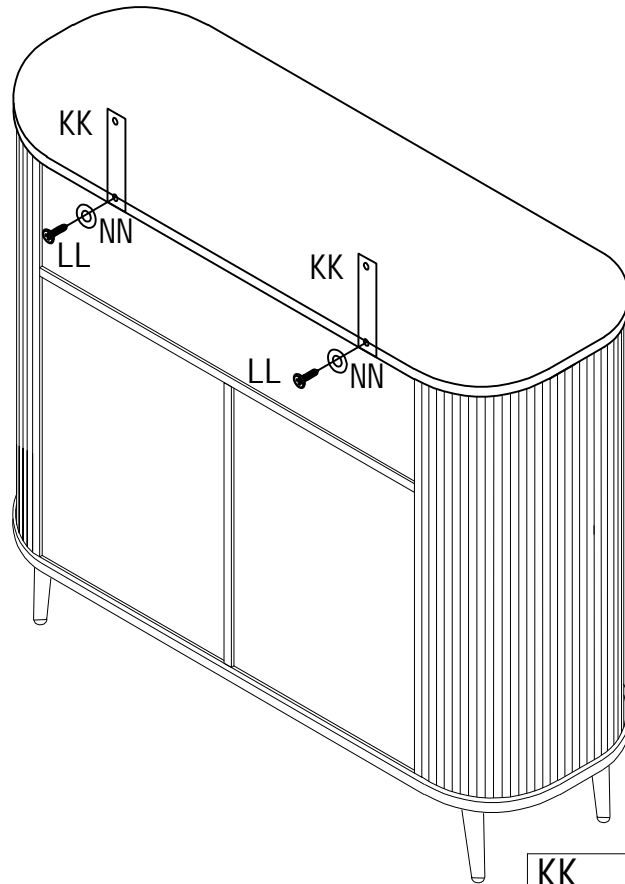


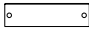


# Step18



B	C
	
x12	3x14mm x12

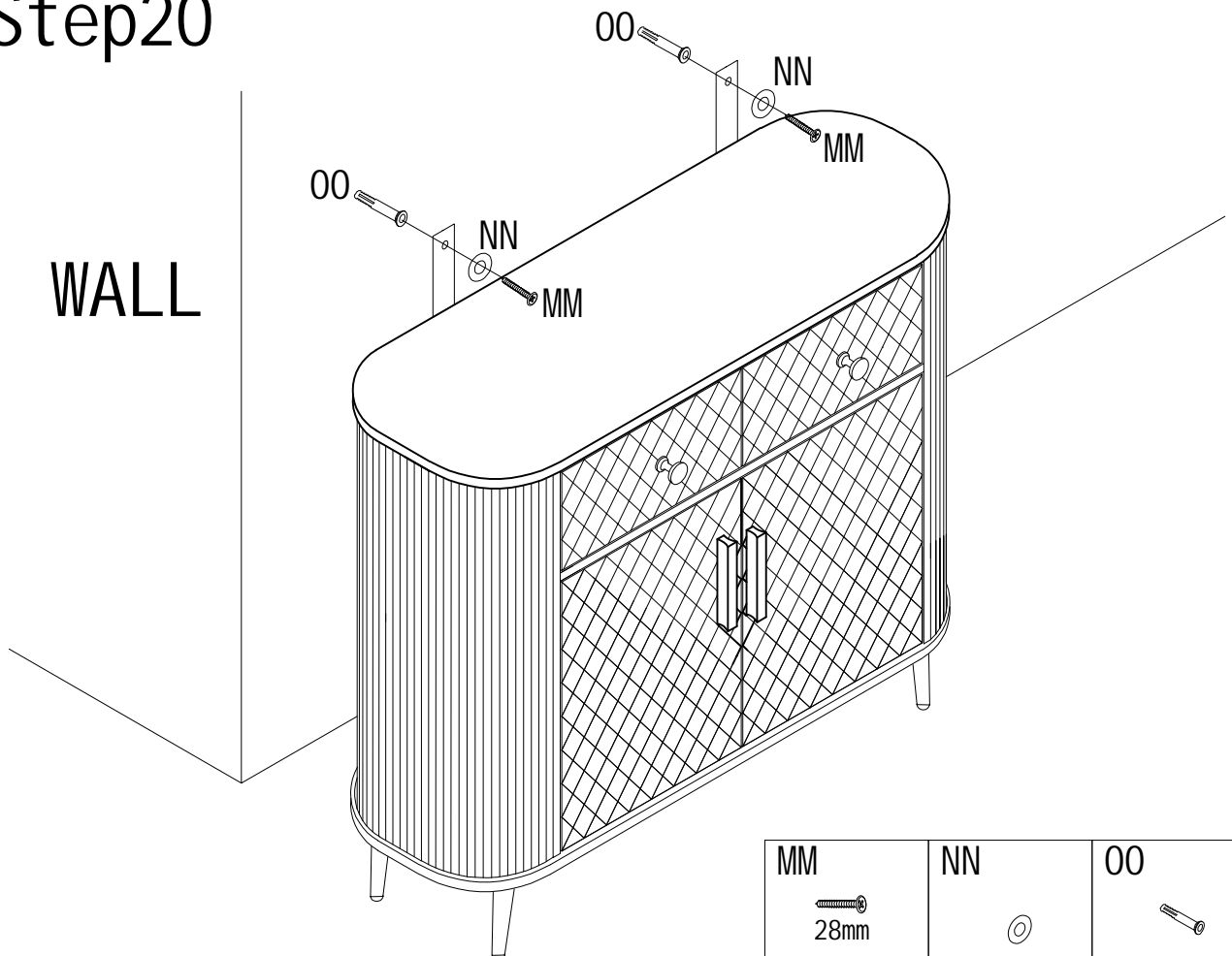
# Step19






KK	LL	NN
	 14mm	
x2	x2	x2

# Step20

WALL



MM	NN	OO
 28mm		
x2	x2	x2