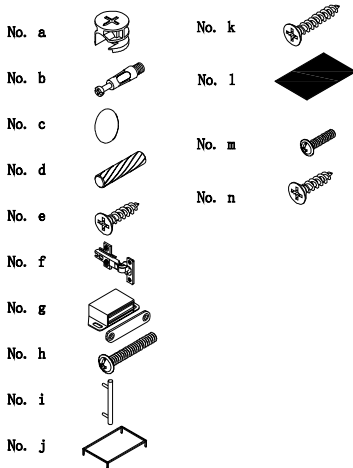
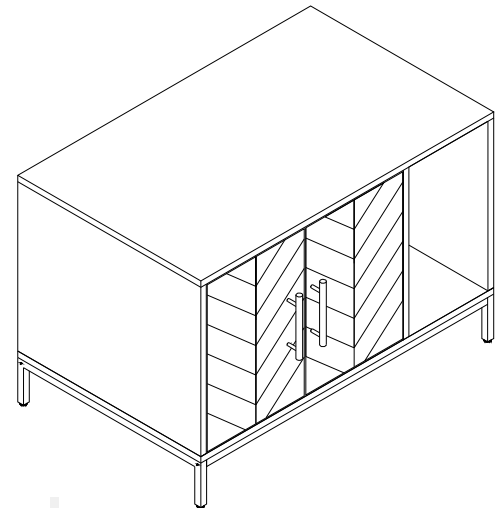
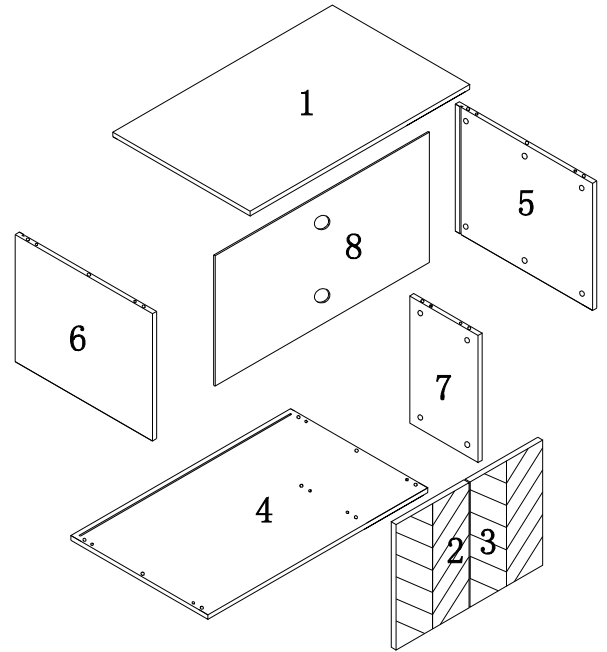


Assembling Instruction & Parts List

Item No.	Cat Litter Box Enclosure	Height		
		800 jÅ 541 jÅ 500 mm		

No.	Description	Measurement in mm	Quantity
No. 1	Top Panel		1
No. 2	Left Door Plate		1
No. 3	Right Door Plate		1
No. 4	Bottom Plate		1
No. 5	Right Side Panel		1
No. 6	Left Side Panel		1
No. 7	Middle Side Panel		1
No. 8	Back Panel		1
No. a	Cam Lock		18
No. b	Bolt for Cam Lock		18
No. c	Sticker		18
No. d	Dowel 8*40mm		14
No. e	Countersunk screw 4*14mm		8
No. f	Hinges		4
No. g	Closing Latch, Magnetic		2
No. h	Feet Screw		4
No. i	Knob		2
No. j	Iron frame		1
No. k	Feet Screw 4*30mm		8
No. l	Litter Mat		2
No. m	Screws for handles 4*23mm		4
No. n	Countersunk screw 4*16mm		24



Advice:
 Do not sit or stand on this product.
 It is intended for pets only.
 This product should be assembled by
 an adult.

