



ASSEMBLY INSTRUCTION

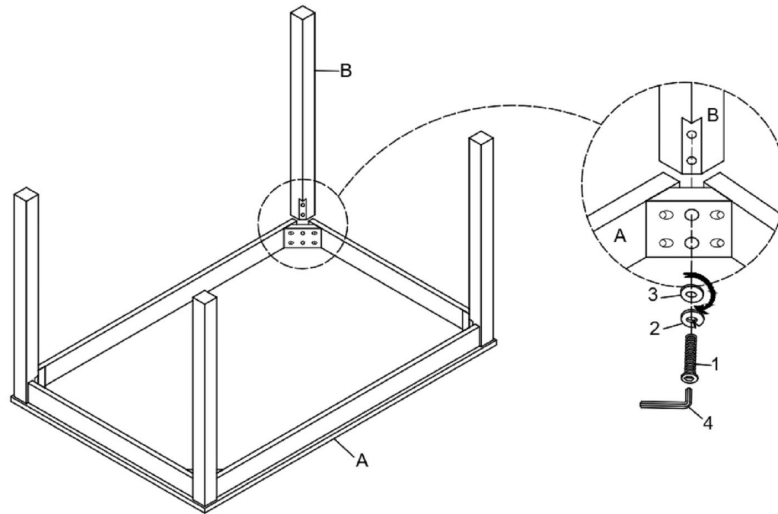
PARTS LIST

	DESCRIPTION	SKETCH	QTY
A	TABLE TOP		1PC
B	TABLE LEG		4PCS

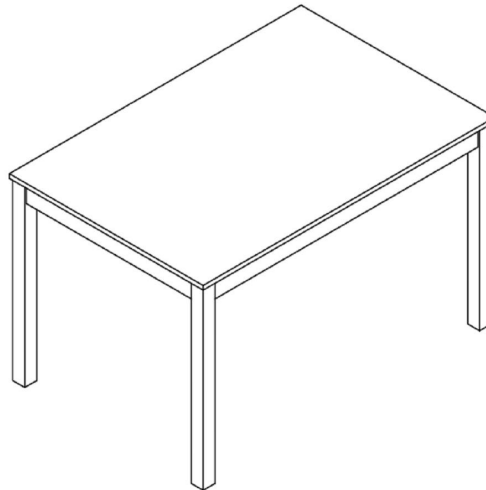
HARDWARE LIST

ITEM	DESCRIPTION	SKETCH	QTY
1	BOLT Ø5/16"X2-1/4"		8PCS
2	SPRING WASHER Ø5/16"		8PCS
3	FLAT WASHER Ø5/16"		8PCS
4	ALLEN WRENCH 5MM		1PC

STEP 1




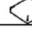

FULLY SET - UP



Do not fully tighten any bolts until last step

ASSEMBLY INSTRUCTION

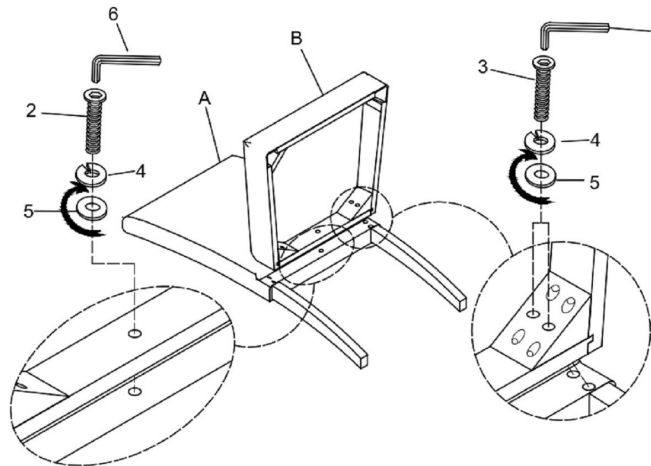
PARTS LIST

	DESCRIPTION	SKETCH	QTY
A	BACK REST		1PC
B	CUSHION SEAT		1PC
C	FRONT LEG		2PCS

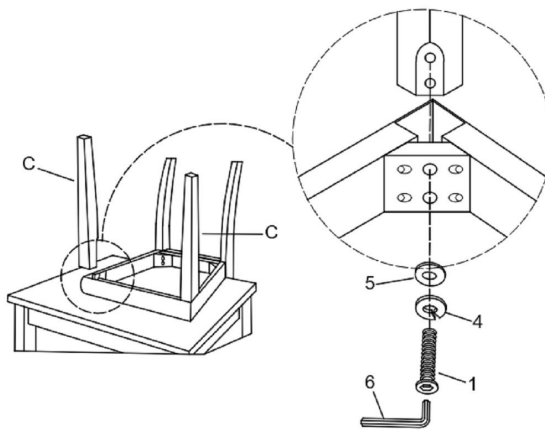
HARDWARE LIST

ITEM	DESCRIPTION	SKETCH	QTY
1	BOLT Ø5/16"X2-1/4"		4PCS
2	BOLT Ø5/16"X1-3/4"		1PC
3	BOLT Ø5/16"X3-2/4"		4PCS
4	SPRING WASHER Ø5/16"		9PCS
5	FLAT WASHER Ø5/16"		9PCS
6	ALLEN WRENCH 5MM		1PC

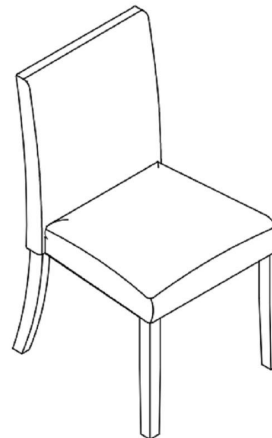
STEP 1



STEP 2



FULLY SET - UP



Do not fully tighten any bolts until last step