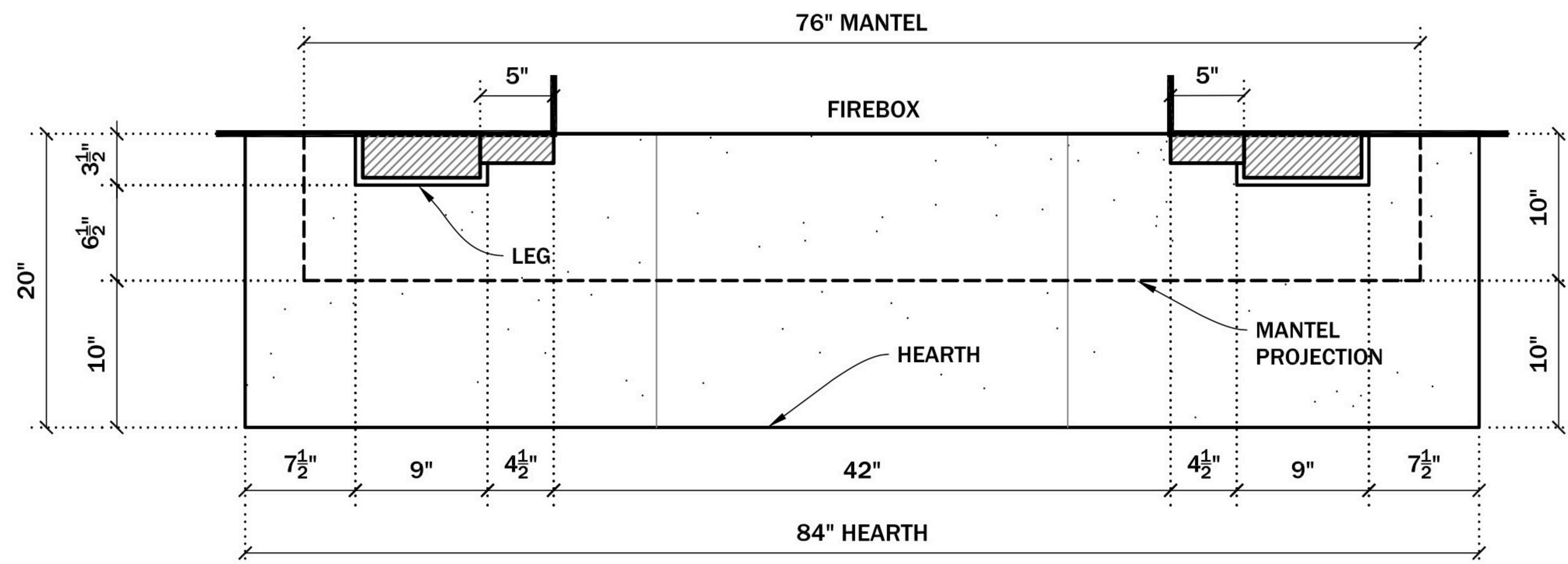
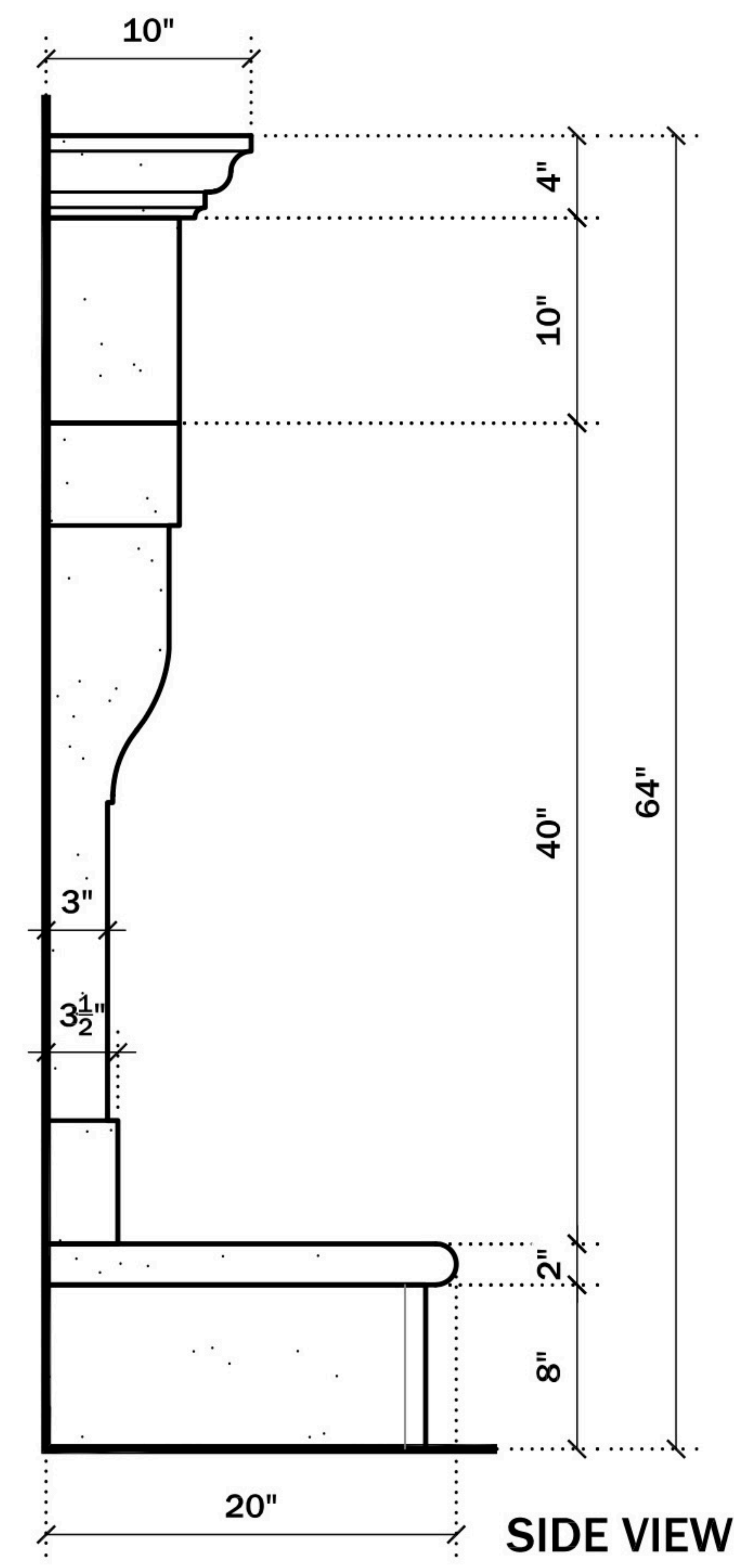


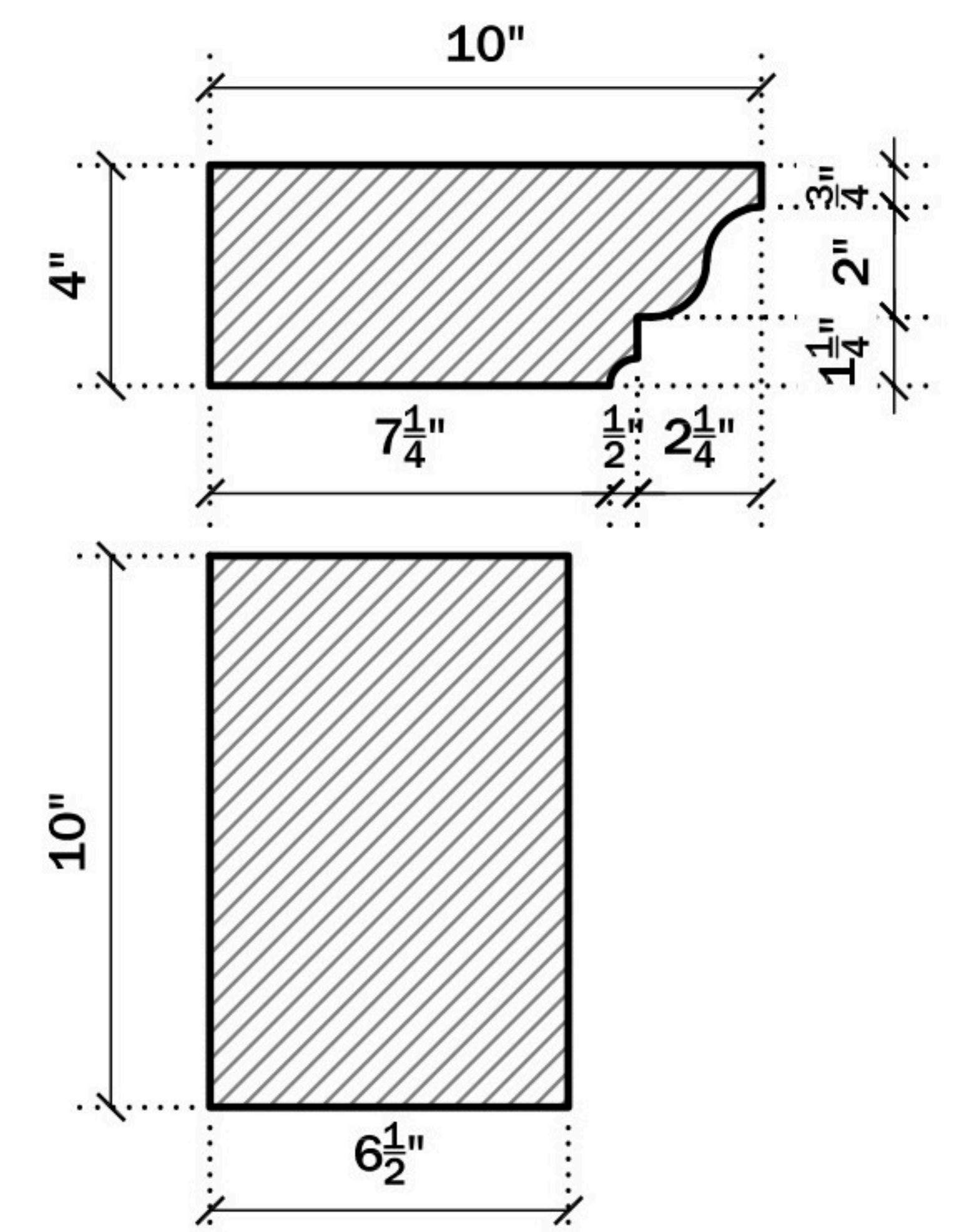
FRONT ELEVATION



PLAN VIEW



SIDE VIEW



MANTEL PROFILE

WFR-San Rafael
 ARCHITECTURAL STONE ELEMENTS, LLC.