

## ASSEMBLY INSTRUCTIONS:

### ※ VERY IMPORTANT

**PLEASE READ THOROUGHLY. MAKE SURE YOU PROPERLY ALIGN THE POLES BEFORE SCREWING THEM TOGETHER TO AVOID DAMAGING CONNECTION THREADS.**

**NOT ADHERING TO THIS PROCEDURE MAY VOID YOUR WARRANTY!**

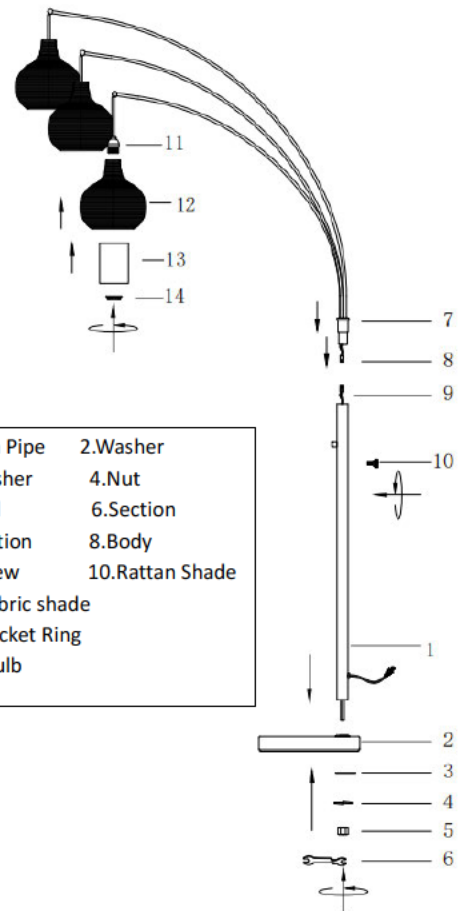
1. Carefully place all parts on a smooth surface and line them up as per the sketch.
2. Insert the iron pipe (1) into the base , and use washer(2 and 3), nut (4) and tool (5) to tighten.
3. Connect section (6) to section (7).
4. Insert body (8) onto the iron pipe (1), and use screw(9) to tighten.
5. Attach rattan shade (10) onto the socket,then place fabric shade (11) into rattan shade and secure with socket ring (12).
6. Install the bulbs(not included) into the sockets.
7. Insert the polarized plug into a wall outlet and enjoy your lamp. Turn the light on and off using switch on the pipe
8. To clean, use a soft dry cloth only. Never use chemical or abrasive cleaners.

**Use 3pcs A type 60W incandescent bulbs (bulbs not included)**

### “IMPORTANT SAFETY INSTRUCTIONS”

This portable lamp has a polarized plug (one blade is wider than the other) as a feature to reduce the risk of electric shock. This plug will fit in a polarized outlet only one way. If the plug does not fit fully in the outlet, reverse the plug. If it still does not fit, contact a qualified electrician. Never use with an extension cord unless plug can be fully inserted. Do not alter the plug.

- |                 |                 |
|-----------------|-----------------|
| 1. Iron Pipe    | 2.Washer        |
| 3.Washer        | 4.Nut           |
| 5.Tool          | 6.Section       |
| 7.Section       | 8.Body          |
| 9.Screw         | 10.Rattan Shade |
| 11.Fabric shade |                 |
| 12.Socket Ring  |                 |
| 13. Bulb        |                 |



### ATTENTION

POUR PRÉVENIR LES CHOC ÉLECTRIQUES NE PAS UTILISER CETTE FICHE POLARISÉE AVEC UN PROLONGATEUR, UNE PRISE DE COURANT OU UNE AUTRE SORTIE DE COURANT, SAUF SI LES LAMES PEUVENT ÊTRE INSÉRÉES À FOND SANS EN LAISSER AUCUNE PARTIE À DÉCOUVERT.

※ PLEASE INFORM YOUR DEALER IMMEDIATELY IN CASE OF ANY PARTS SHORTAGE.

※ SAVE THESE INSTRUCTIONS FOR FUTURE REFERENCE.