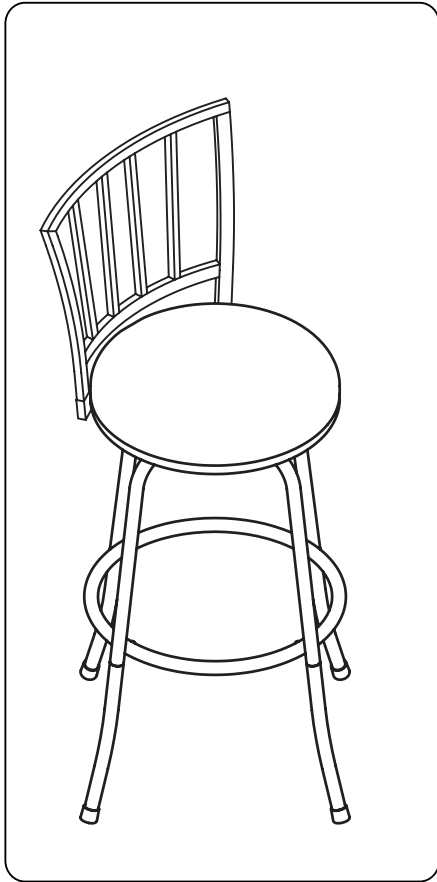
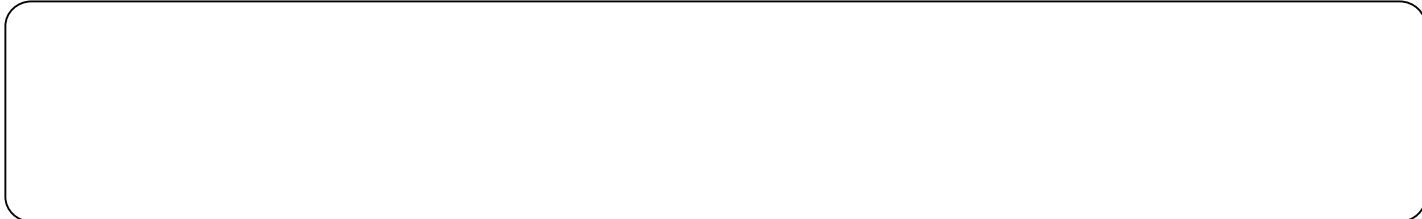





Assembly Instructions

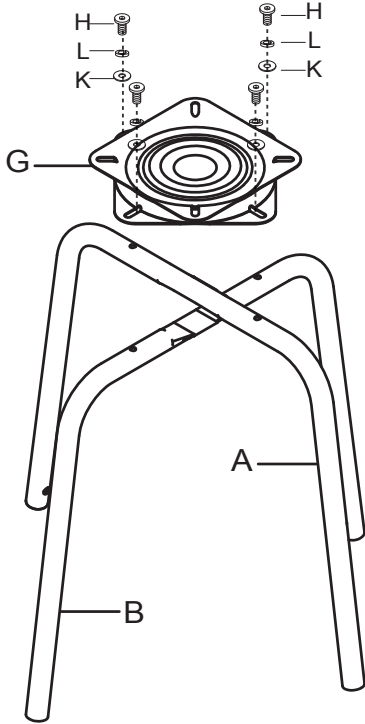


Componets			Screws & Tools		
A		1	H		8
				1/4"×12mm	
B		1	I		2
				1/4"×18mm	
C		1	J		4
				1/4"×32mm	
D		4	K		8
E		1			
F		1	L		10
G		1	M		1

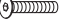
We control manufacturing and distribution ourselves, ensure the quality.

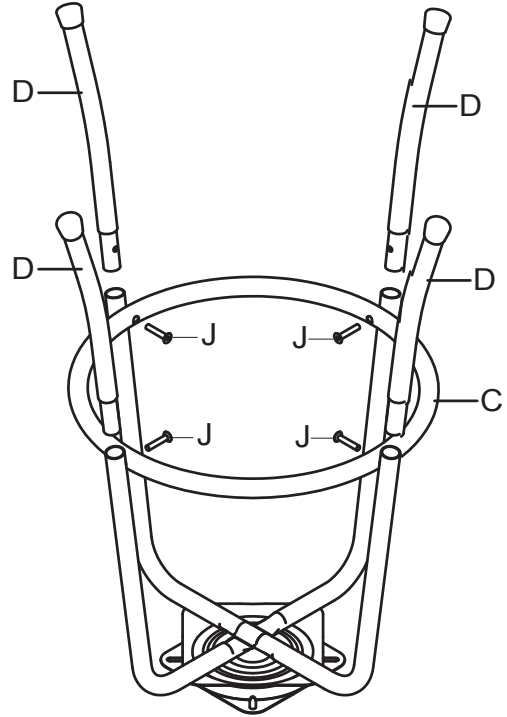
1 Rotating disk assembly

	H×4
	L×4
	K×4






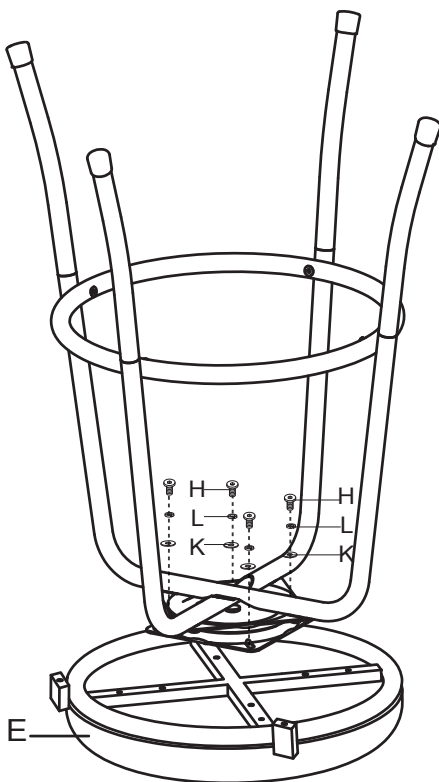
2 Adjustment feet assembly

	J×4
---	-----





3 Chair seat assembly

	H×4
	L×4
	K×4



4 Chair back assembly

	I×2
	L×2

