

正面

Respected User of cobbe®

Thanks for your trust and support! For your better feeling to use our kitchen faucet, please read this instruction carefully before installation.

Basic Information

Item Number	Brand	Material	Color
KC05A01	cobbe®	Stainless Steel + Zinc Alloy + ABS	Brushed Nickel; Chrome; Oil Rubbed Bronze
KC05A02	cobbe®	Stainless Steel + Zinc Alloy + ABS	Brushed Nickel; Chrome; Oil Rubbed Bronze

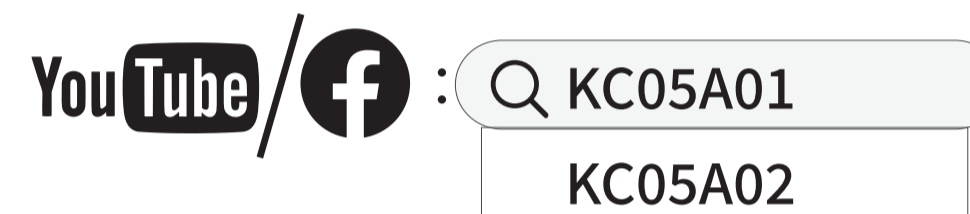
Any question or concern, please feel free to email us: support@cobbe.com



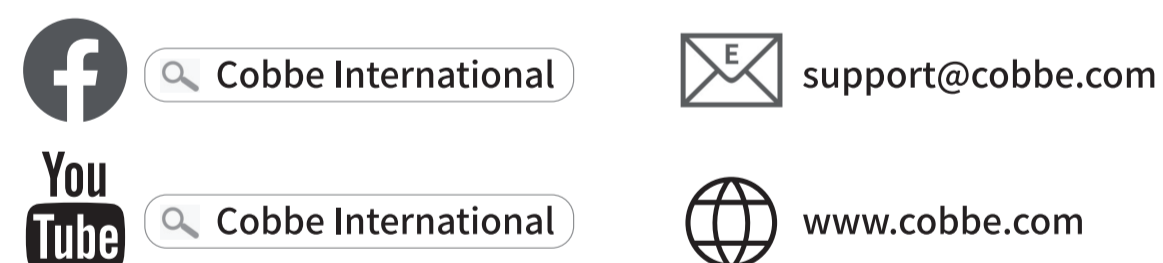
cobbe®

Installation Manual

Installation Video



Contact Us



技术要求:

1. 模切: 模切规范光滑、不得有毛边毛刺。
2. 尺寸: 尺寸符合所定公差标准。
3. 可读性: 条形码二维码不得读不出来。
4. 成型: 表面光滑无折皱、变形现象。
5. 印刷: 图案清晰、规范、无错版、缺版; 色块颜色均匀, 无其它色斑。
6. 印刷反白处鲜明, 无毛边, 无油墨堆积痕迹; 文字、符号清晰, 符合标准封样。
7. 套印: 套色吻合准确、无重影现象; 图案清晰, 光泽柔和, 不允许出现明显色差现象。
8. 油墨耐晒性: 黄变灯下十二小时色块不得出现黄变、褪色等现象。

备注: ■ =标注; 刀模线 (不印刷) 虚线对折				FBT ForBetter 厦门方特卫浴有限公司		图号	704016-238001	版次	
						品名	厨房抽拉龙头英文说明书	2	
文件更改记录	更改内容	更改人	更改日期	制图		材质/工艺	100克双胶纸 (双面印刷, 对折)	印刷	黑白
	版次1变更2, 修改版面和尺寸 设变单RDT-202008			业务		表面处理	/	单位	cm
				审核		成品尺寸	42*29.7		
				第1页 共2页		公差	外箱±0.5内盒±0.3其它±0.1		

背面

INSTALLATION INSTRUCTION

Notice

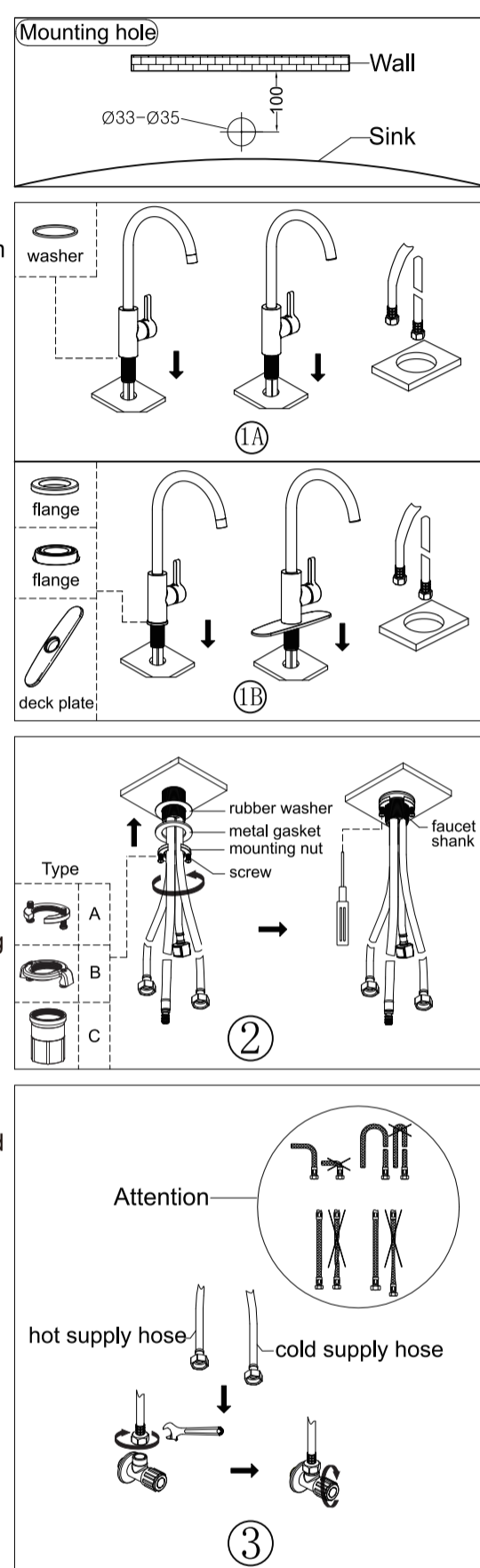
- Cleaning**
Before installation, shut off the water supply valves and clean up the water supply system.
- Mounting hole**
Make sure the mounting hole size is between $\varnothing 33\text{mm}-\varnothing 35\text{mm}$ as shown in the diagram.
- Protection**
Clean the area of the mounting holes before installation. To preserve the delicate finish of the faucet, please. Do not scratch, but use a soft cloth to wipe around it. Do not tighten the faucet too hard, so as to avoid deformation or fracture.

Parameter

- Water pressure**
The recommended rang is 0.05Mpa to 0.75Mpa.
- Do not use steam for hot water.**
The recommended temperature of water supply is less than 85°C
- Working Temperature** is more than 0°C .

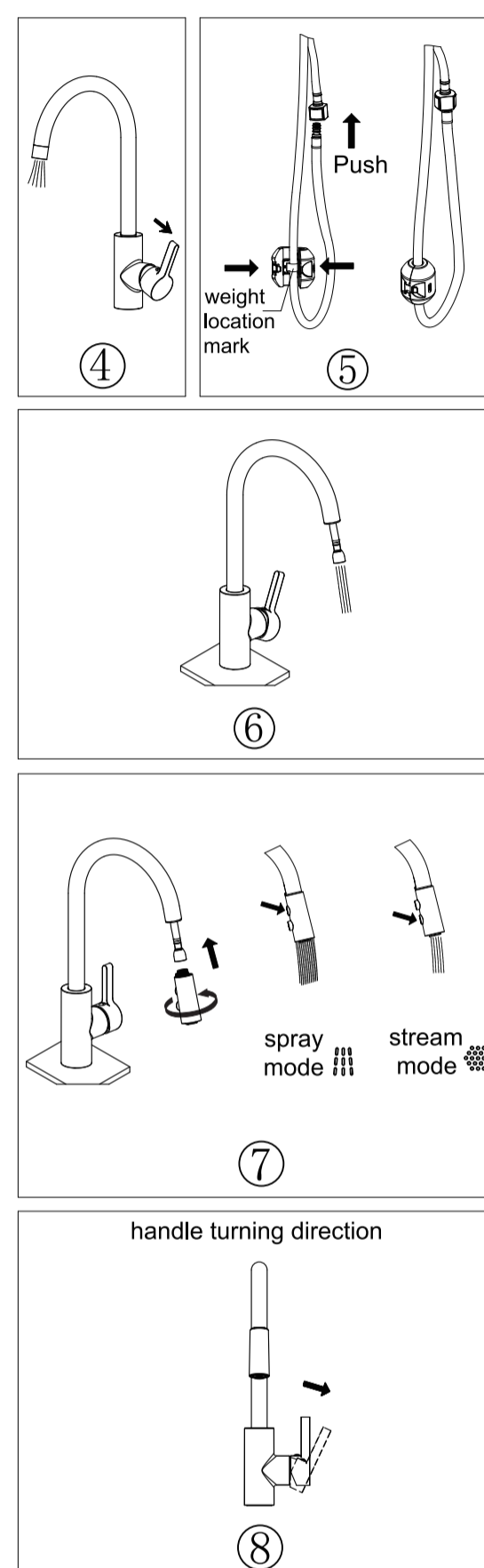
Installation Steps

- Take the faucet out of the packing box, and
 - For 1-hole sink, fit the white washer (or flange) over the hoses to the mounting shank. Then fit the faucet to the mounting hole on the sink. Or just fit the faucet to the mounting hole if no washer or flange provided, as shown in diagram 1A.
 - For 3-hole sink, insert deck plate over the hoses in the mounting shank, and then mount the faucet on the sink, as shown in diagram 1B.
- Slide the rubber washer first, the metal gasket second, and then the mounting nut over the hoses onto the shank and hand tighten them firmly. Use a cross screwdriver to thread the 2 screws (if your mounting nut is type A or B), as shown in diagram 2.
- Connect the hot & cold supply lines onto the matching water valves and secure the connection with an adjustable wrench, as shown in diagram 3.
 - Turn on the hot and cold water valves then the faucet. Run the water flow for 15 seconds to clean up the lines and check for any leaks. Then the installation of non-pull kitchen faucet is completed. Hang the plastic aerator wrench on one of the hoses for future use (no aerator wrench available for square spout), as shown in diagram 4.



- 2 -

INSTALLATION INSTRUCTION



- Connect the spray hose to the quick connection just by a simple push. Install the counterweight on the pull-down hose at the marked position (It should be placed on the line), as shown in diagram 5.
- Turn on the water valves then the faucet. Run the water flow for 15 seconds to clean up the lines and check for any leaks, as shown in diagram 6.
- Turn off the faucet. Attach and secure the spray head to the spray hose. Pull out or pull down the spray head and get it return for a few times to check if the pull-out hose is properly, as shown in diagram 7.
- Test the water running, and make sure the faucet sprayer changes between stream and spray properly, as shown in diagram 7.
- After the installation completed, turn on the faucet and run the water flow, check for any leaks again.

Maintenance

- Operate the faucet gently in order for a sustainable use.
 - Always blot dry any water from faucet surface. Clean with a damp non-abrasive sponge and wipe it with a clean soft cloth should be helpful to maintain good finish of the faucet. To remove water spots, please apply warm water and a damp soft cloth. Make certain to rinse thoroughly with water immediately after cleaner.
 - Although the finish is extremely durable, it can be damaged by some cleaners. Do not use detergent powder, polishing powder, granular detergent or nylon brush to clean.
 - Do not use acidic detergents. If happened, it must be rinsed properly and wiped dry with a soft cloth.
 - When the air temperature is below 0°C , a measure should be taken to keep the faucet working condition warm.
 - Shut off the water supply valves when the faucet will not be in use for an extended amount of time.
 - Do not allow the product to get in touch with the rust or strong corrosive substances, or install under a corrosive environment.
- We reserve the right to make revisions in the design of faucets without notice.
 - Image is for reference only, styles varies by models.

- 3 -

技术要求:

- 模切: 模切规范光滑、不得有毛边毛刺。
- 尺寸: 尺寸符合所定公差标准。
- 可读性: 条形码二维码不得读不出来。
- 成型: 表面光滑无折皱、变形现象。
- 印刷: 图案清晰、规范、无错版、缺版; 色块颜色均匀, 无其它色斑。
- 印刷反白处鲜明, 无毛边, 无油墨堆积痕迹; 文字、符号清晰, 符合标准封样。
- 套印: 套色吻合准确、无重影现象; 图案清晰, 光泽柔和, 不允许出现明显色差现象。
- 油墨耐晒性: 黄变灯下十二小时色块不得出现黄变、褪色等现象。

备注: ■ =标注; 刀模线 (不印刷) 虚线对折				FBT ForBetter 厦门方特卫浴有限公司		图号	704016-238001	版次	
文件更改记录		更改内容	更改人			更改日期	制图	品名	厨房抽拉龙头英文说明书
		版次1变更2, 修改版面和尺寸 设变单RDT-202008			业务	材质/工艺	100克双胶纸 (双面印刷, 对折)	印刷	黑白
					审核	表面处理	/	单位	cm
				第2页 共2页		成品尺寸	42*29.7	公差	外箱±0.5内盒±0.3其它±0.1