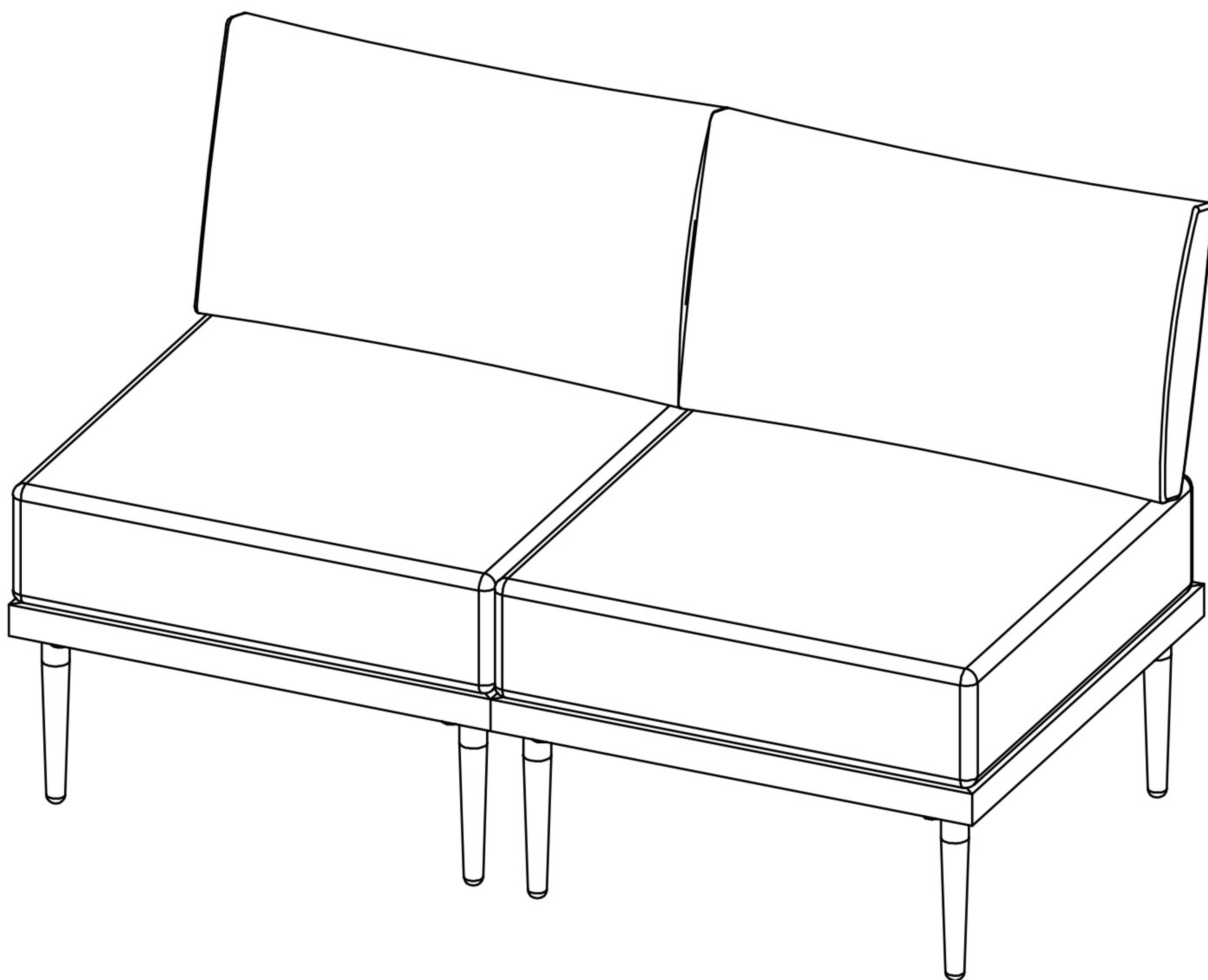


INSTRUCTION MANUAL



2 Middle Sofas



READ & SAVE BELOW INSTRUCTIONS BEFORE ASSEMBLY

1. Choose a clean, flat workspace with enough space.
2. Check all parts and tools before starting.
3. Read the instructions fully and follow the steps in order.
4. Tighten screws loosely at first, then fully after alignment.
5. Work safely and ask for help with heavy parts.

WARRANTY

- Thank you for purchasing our outdoor furniture, We are pleased to offer a one-year warranty on the quality of the product. This warranty covers any manufacturing defects or malfunctions that may occur within the first year of ownership.
- Exclusions: The warranty does not cover damages resulting from misuse, negligence, accidents, normal wear and tear, unauthorized repairs or modifications, improper assembly, or failure to adhere to the care and maintenance guidelines provided.

MAINTENANCE AND CARE

- Protect it from extreme weather by moving it to a covered area or using furniture covers.
- Avoid dragging heavy objects on the furniture to prevent damage.
- Regularly inspect for wear or damage and address any issues promptly.
- Check and tighten hardware connections periodically.
- Use a damp cloth with warm soapy water or a suitable cleaning product to clean the furniture.
- Ensure proper drying after cleaning to prevent mold growth.

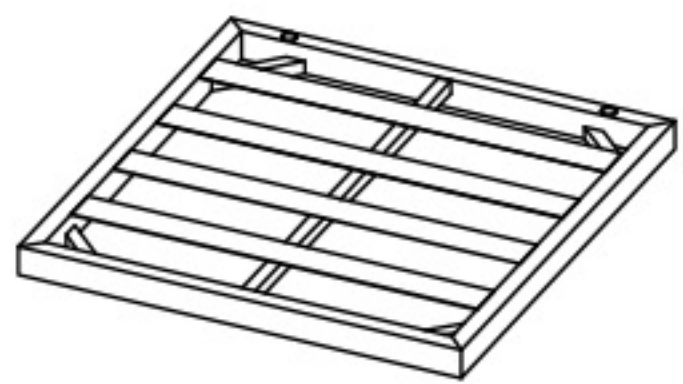
CALIFORNIA PROPOSITION 65

⚠️ WARNING: This product can expose you to Carbon monoxide, which is known to the State of California to cause birth defects or other reproductive harm.

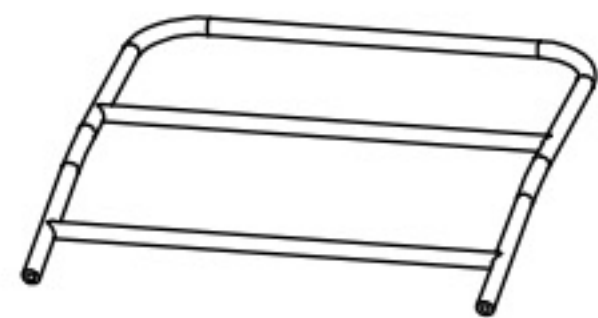
PARTS

1. Before starting, double-check that all parts listed are included.
2. If any parts are missing or damaged, please contact us for assistance before assembly.
3. Keep small parts away from children to avoid choking hazards.
4. Organize the parts for easy access during assembly.

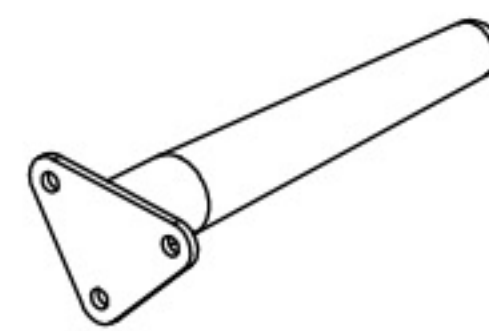
PARTS



Seat Plate
Ax2



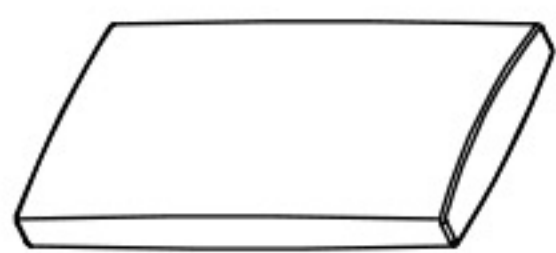
Backrest
Bx2



Support Leg
Cx8



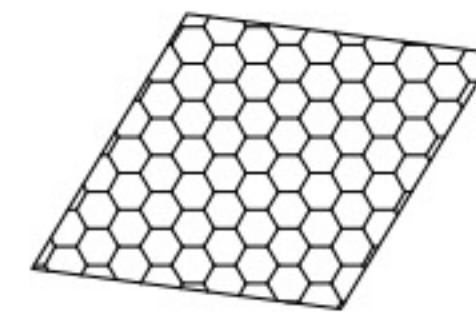
Seat Cushion
Dx2



Back Cushion
Ex2

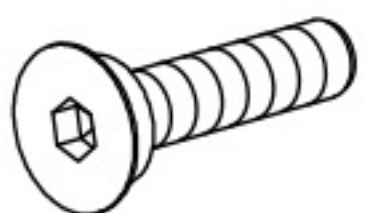


Retention Strap
Fx4

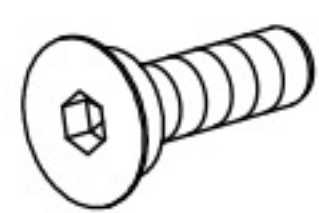


Grip Pad
Gx2

HARDWARES



Bolt M6*20MM
Jx24

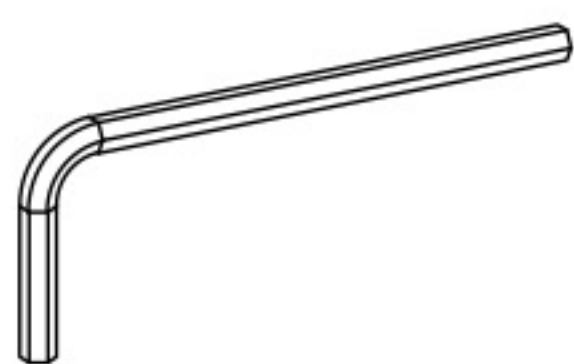


Bolt M6*15MM
Hx4



Washer
Kx28

TOOL



Allen Wrench

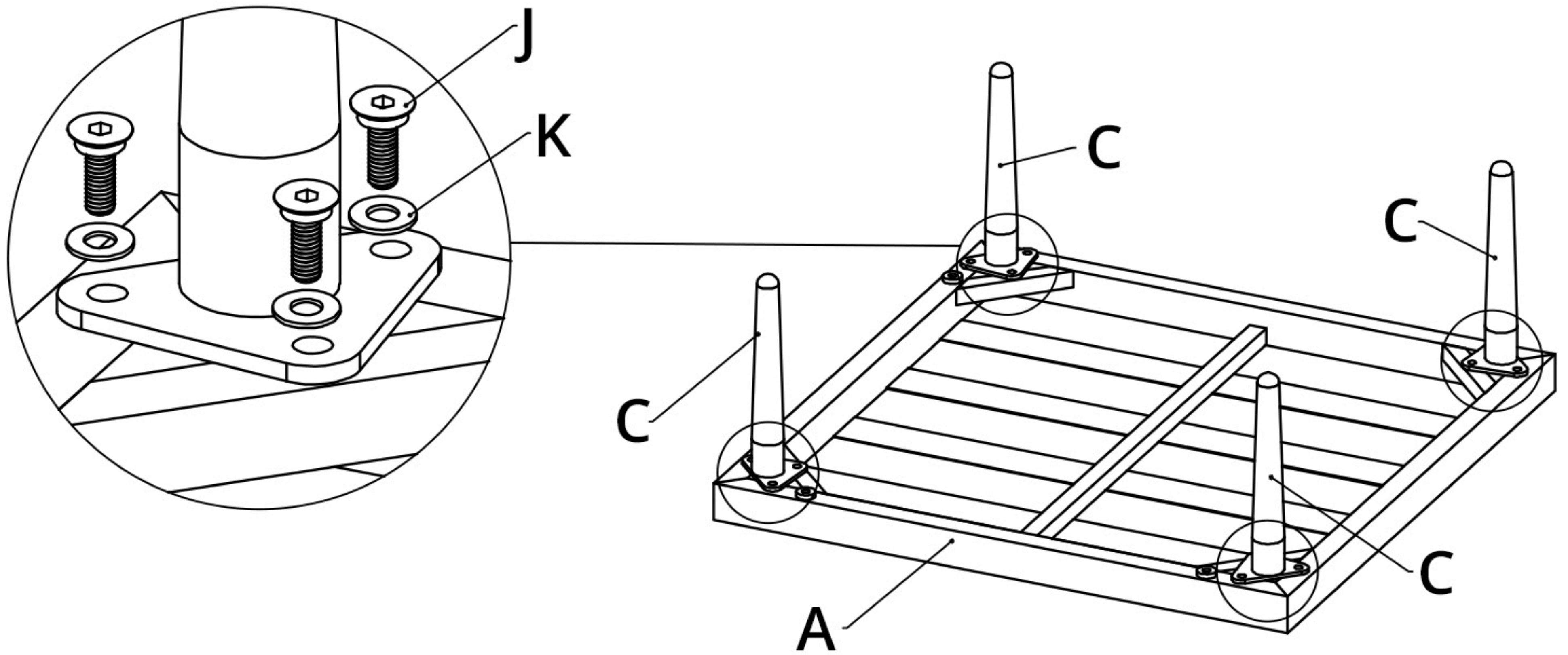


1 PERSON
ASSEMBLY



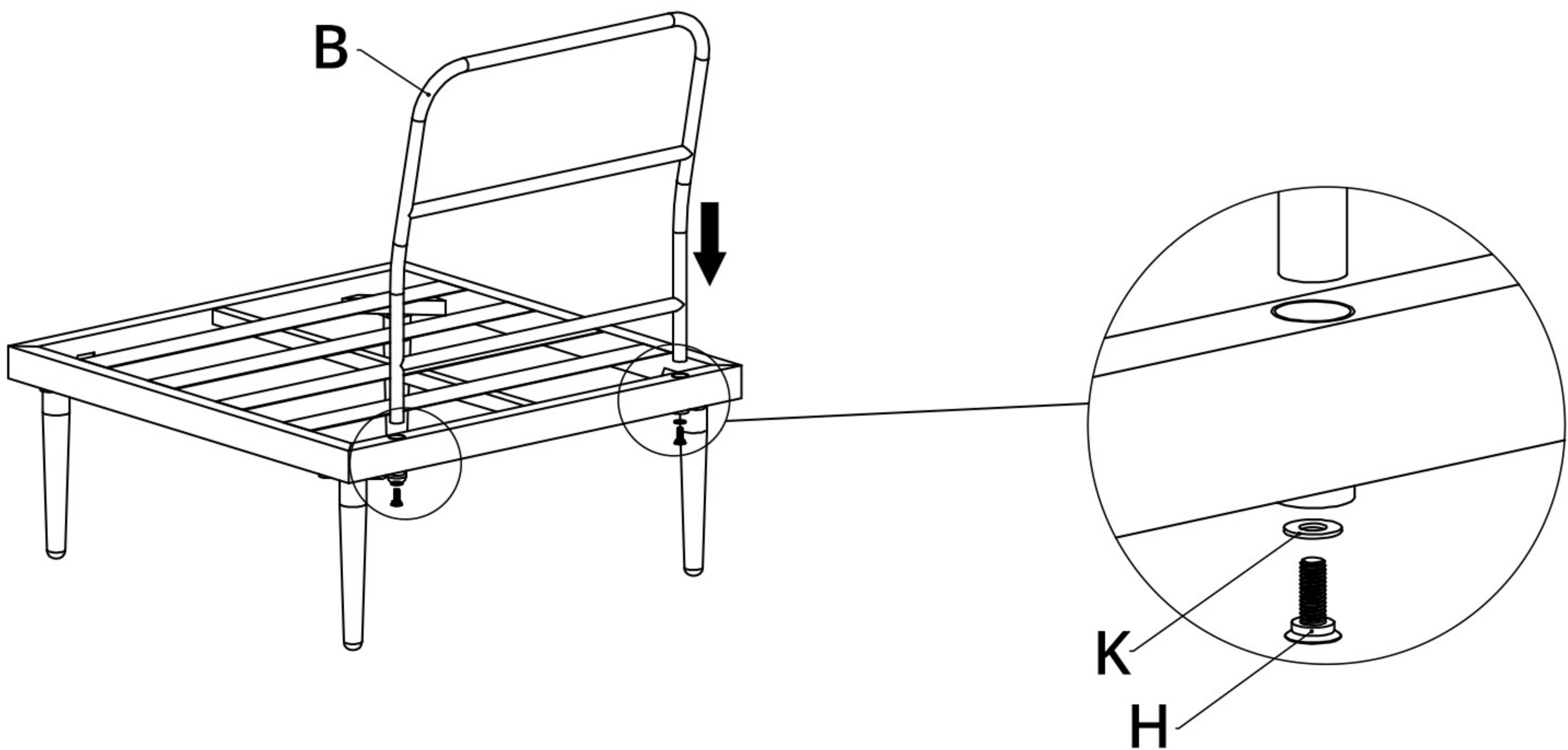
UP TO 10 MIN.
ASSEMBLY

ASSEMBLY



1 Attach the Support Leg[C] to the Seat Plate[A] using Bolt M6*20MM[J] & Washer[K].

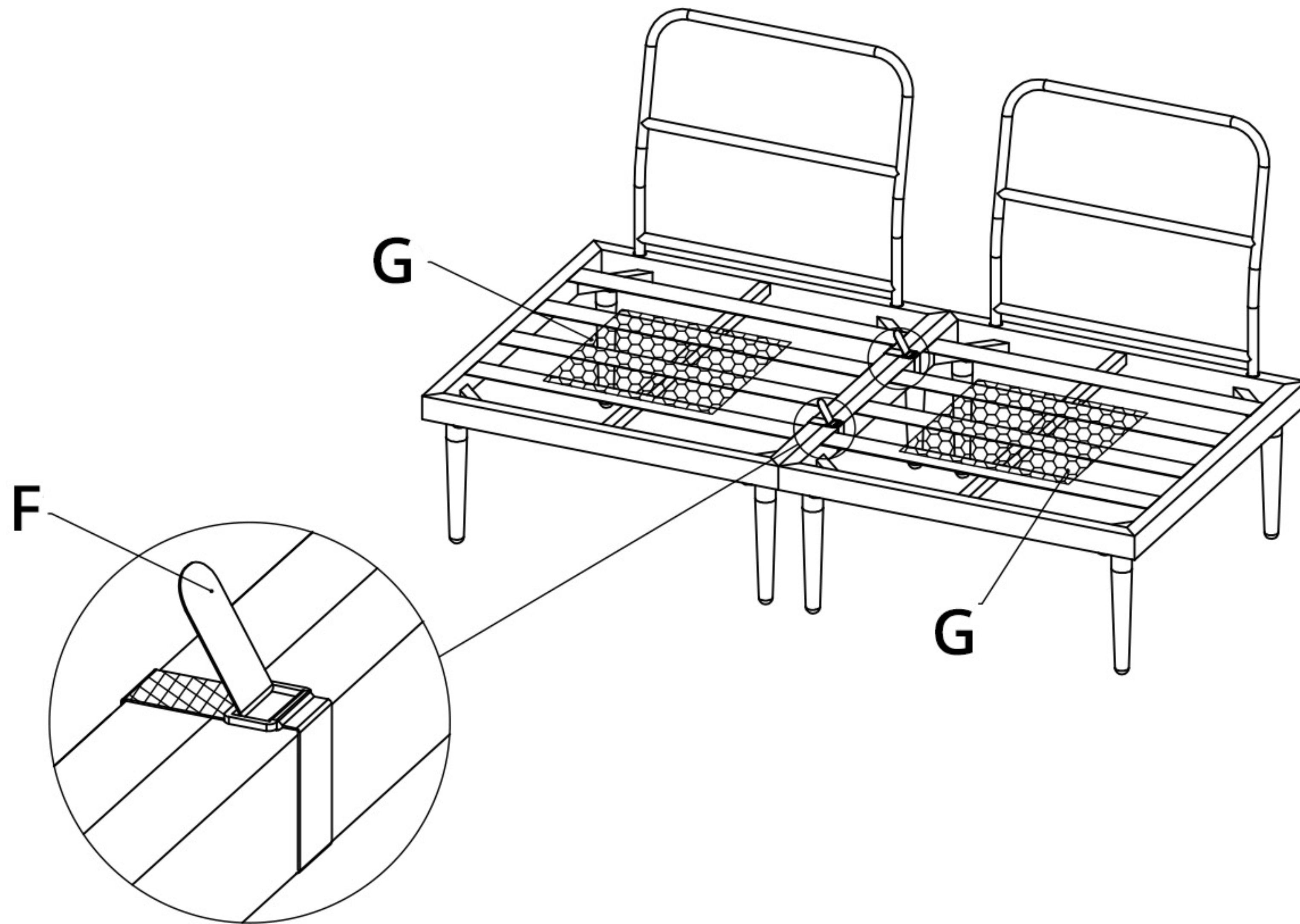
A x2 **C** x8 **J** x24 **K** x24



2 Attach the Backrest[B] to the Seat Plate[A] using Bolt M6*15MM[H] & Washer[K].

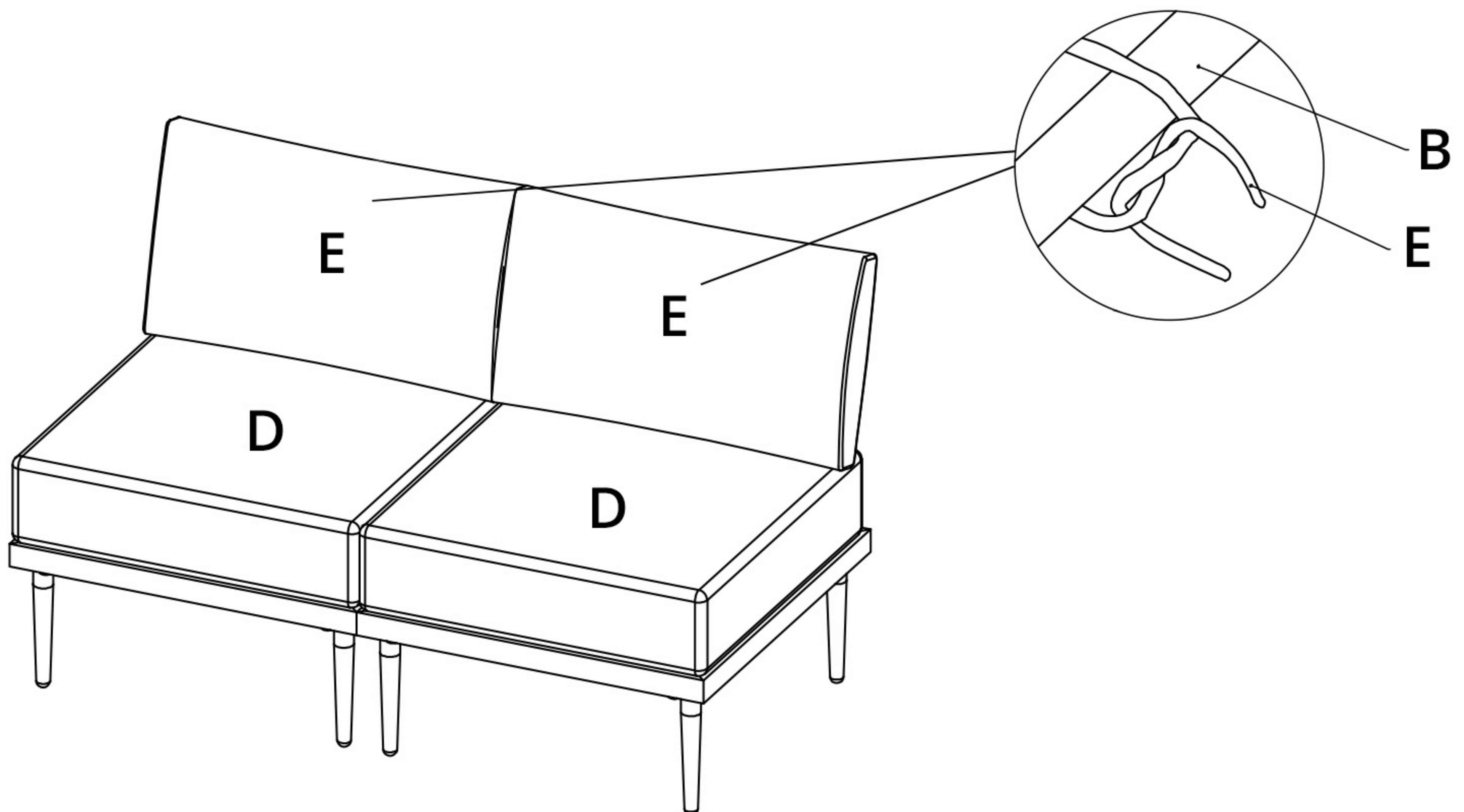
B x4 **H** x4 **K** x4

ASSEMBLY



- 3** -Join the Two Middle Sofas using Retention Strap[F].
-Put the Grip Pad[G] on the the Seat Plate[A].

F x4 **G** x2



- 4** -Attach the Seat Cushion[D] and Back Cushion[E].
-Tie the Straps of Back Cushion[E] to Backrest[B].

D x2 **E** x2