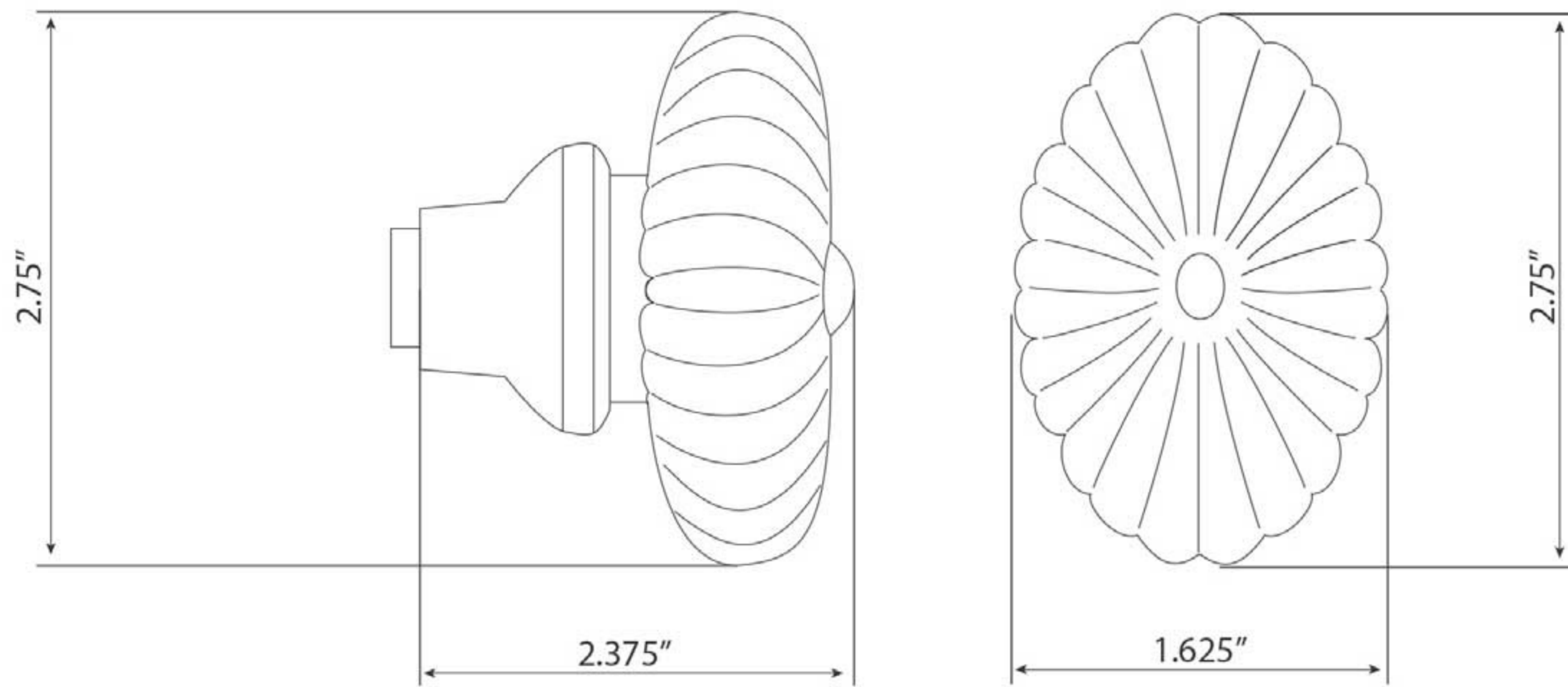


Burgundy Crystal Knob



- > Collection: Grandeur
- > Design code: BUR
- > Material: 24% lead crystal



Burgundy Crystal Knob shown in Satin Nickel

Available Finishes



Antique Brass
(AB)



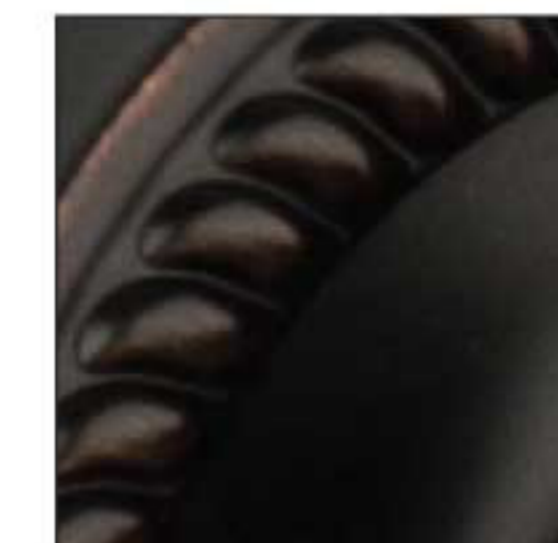
Antique Pewter
(AP)



Bright Chrome
(BC)



Polished Brass
(PB)



Oil-Rubbed Bronze
(OB)



Satin Nickel
(SN)



Unlacquered Brass
(ULB)