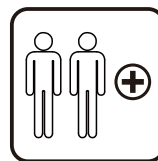
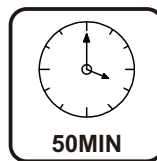
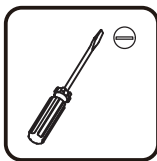
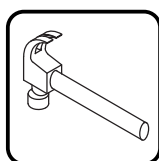
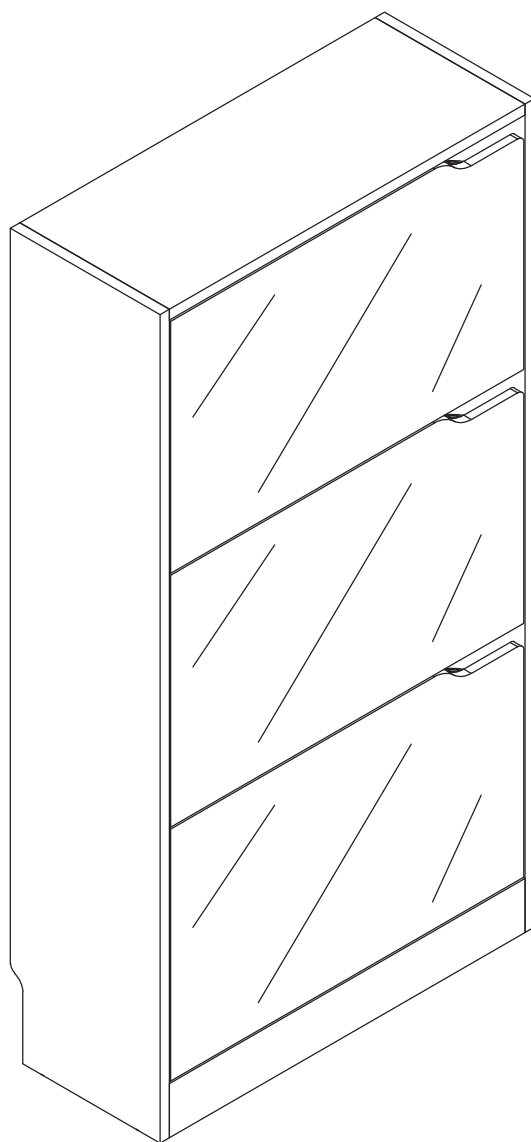


HLG115

Version: 1.3



EN_IMPORTANT, RETAIN FOR FUTURE REFERENCE: READ CAREFULLY.

. THANK YOU FOR PURCHASE! .

FREE REPLACEMENT PARTS AVAILABLE!



---NEED HELP WITH YOUR FURNITURE?---

Scan the QR code to contact us!



If you're experiencing any issues—whether due to shipping, assembly, or any other reason
—we're here to help.
For any damaged or missing components, we're happy to provide FREE replacement parts.



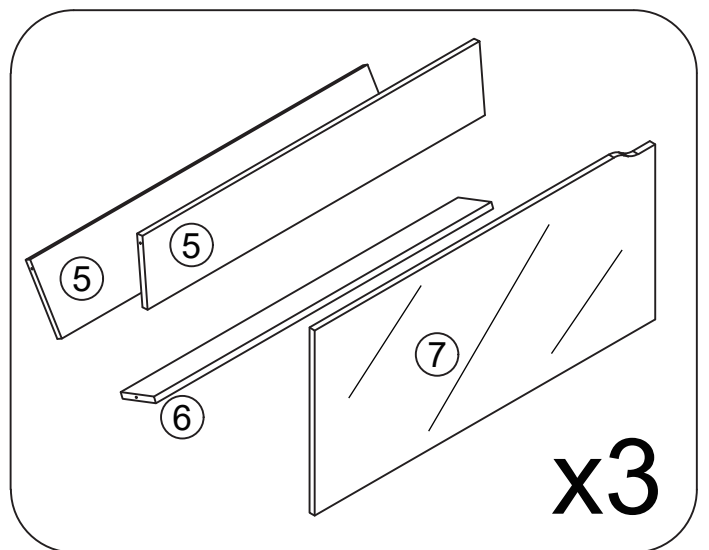
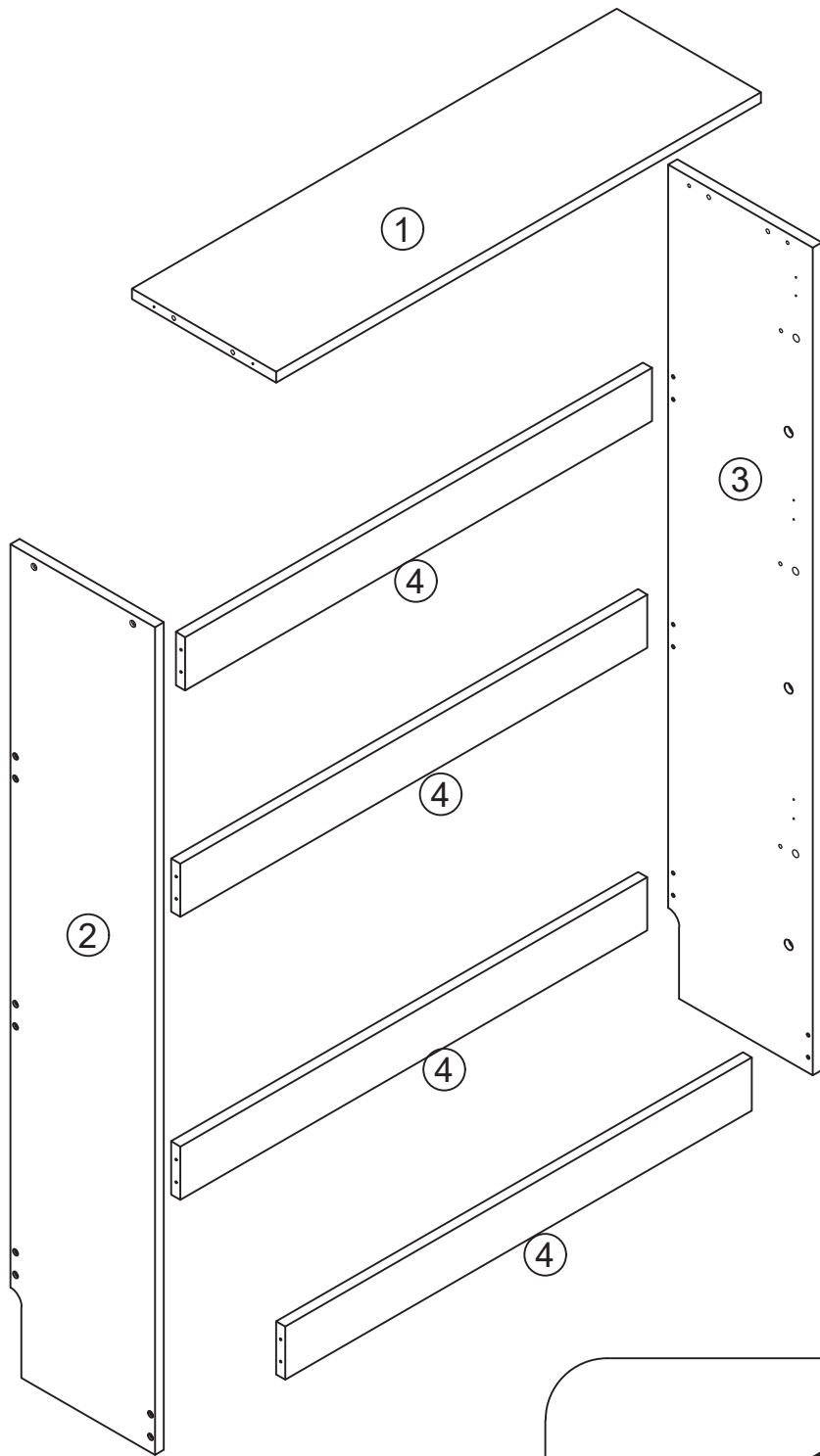
WhatsApp

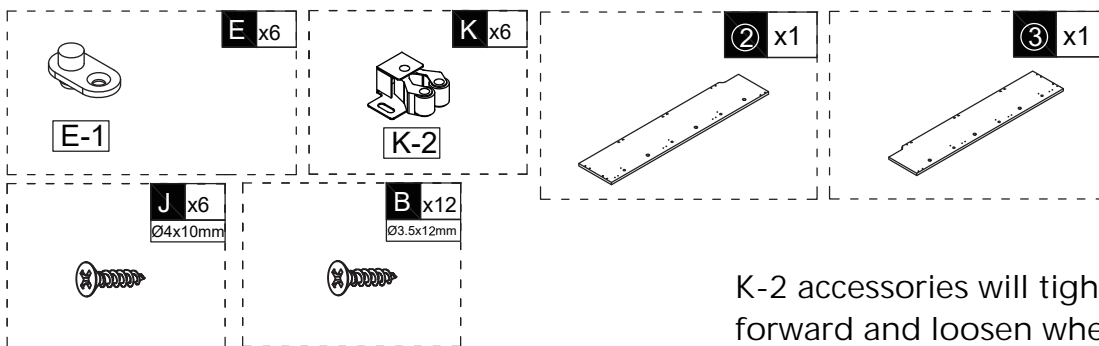
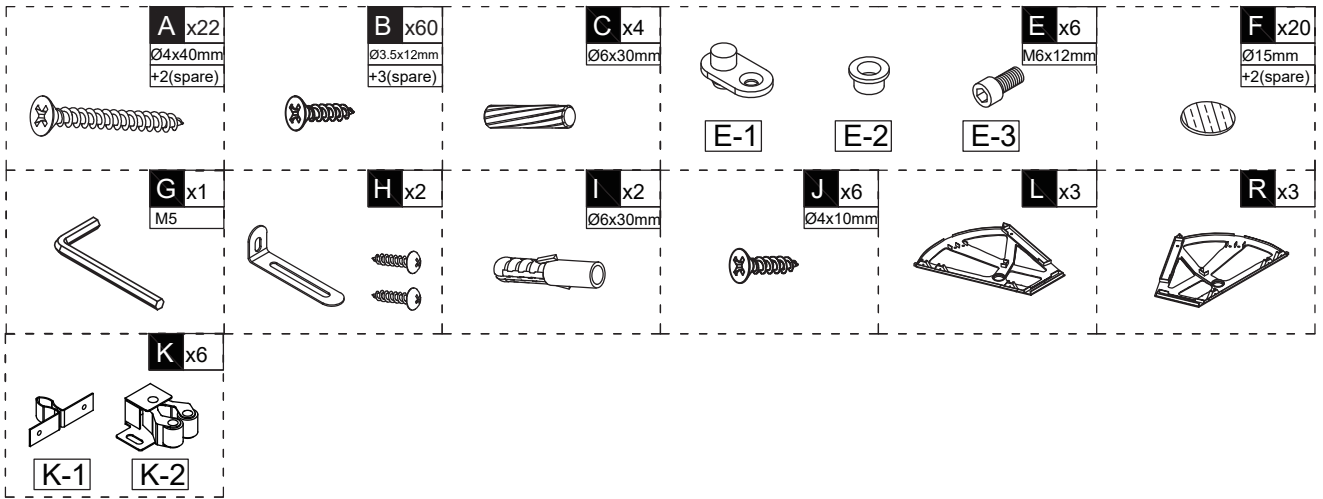
Email: support @anymaple.com

WANT TO CONTACT US THROUGH AMAZON?

- ▶ Log in to your Amazon account.
- ▶ Go to “Your Orders” and locate your furniture order.
- ▶ Click on “Get Help with Order” to send us a message directly.

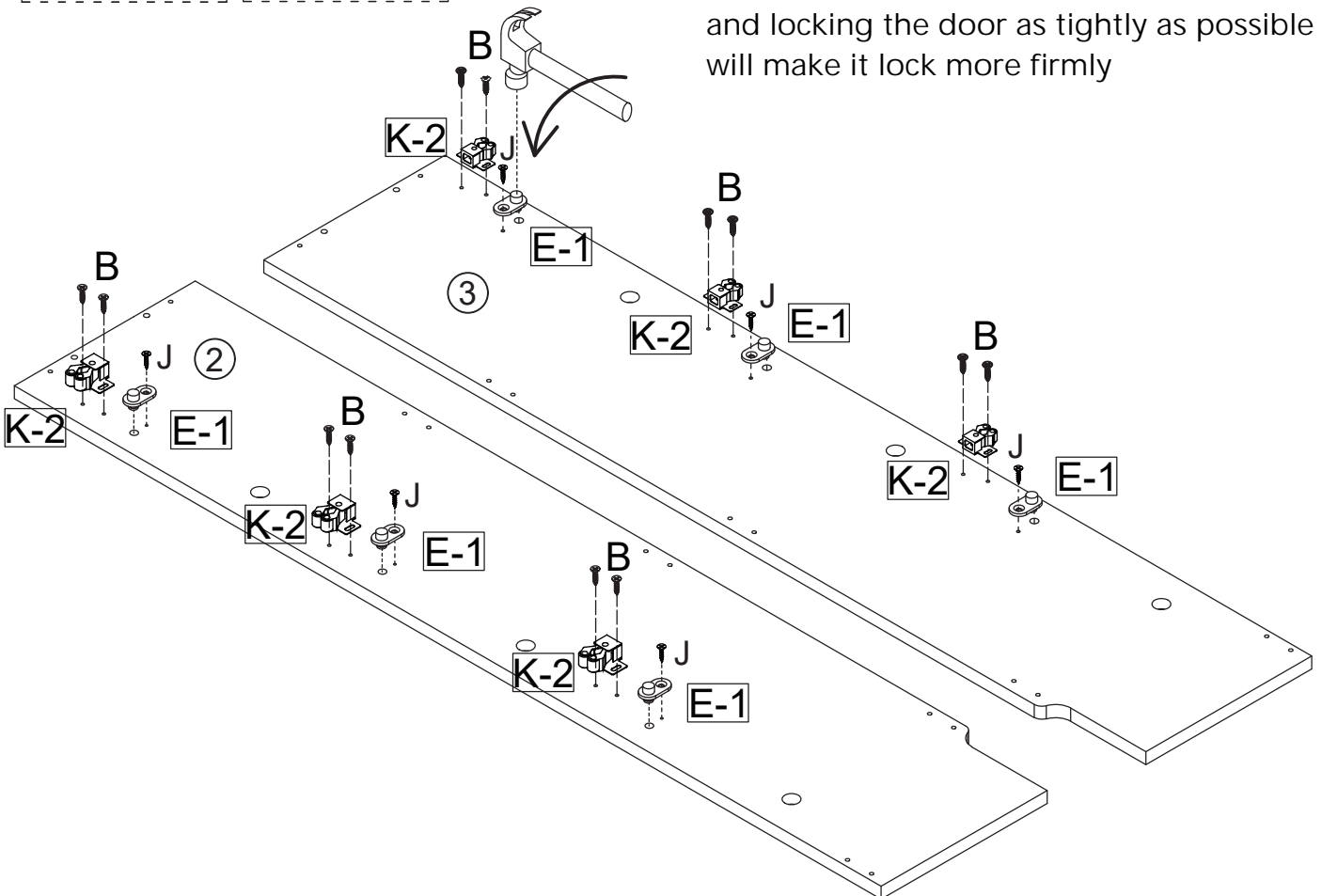
Our customer support team is ready to assist you and we will respond within
12-24 HOURS to resolve your concerns quickly!

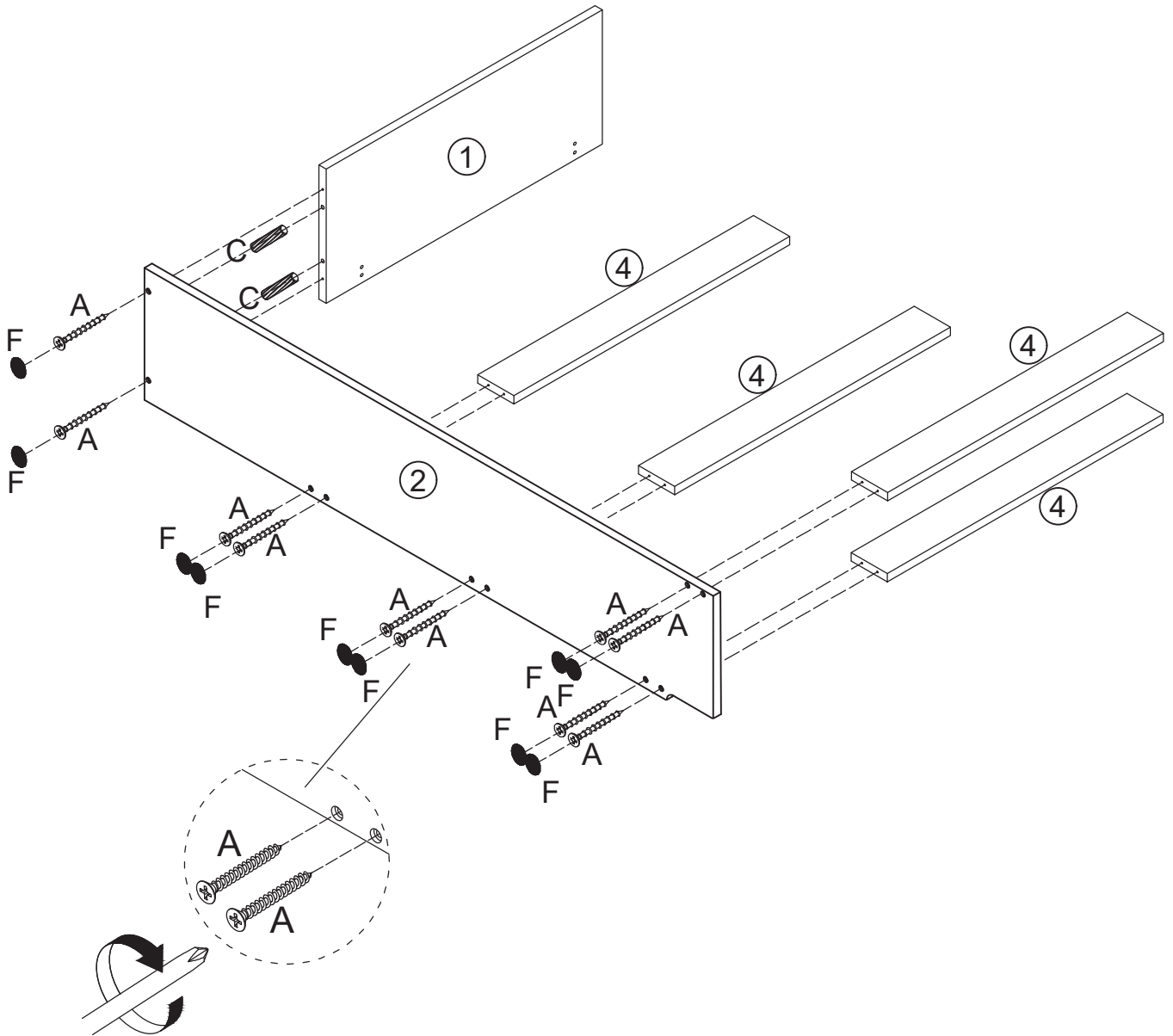
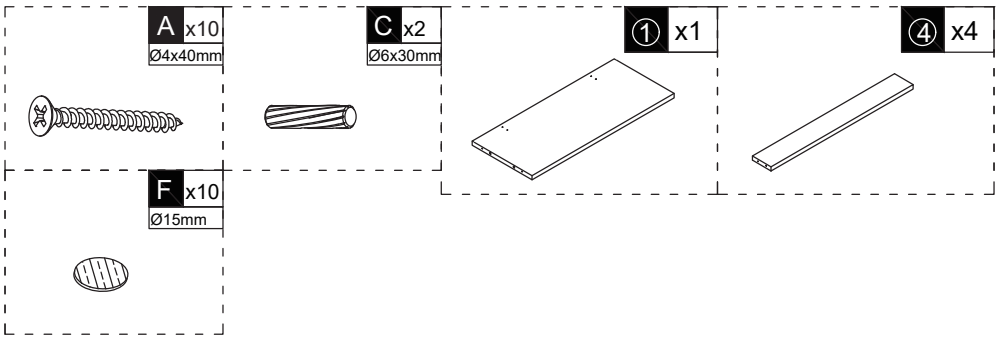


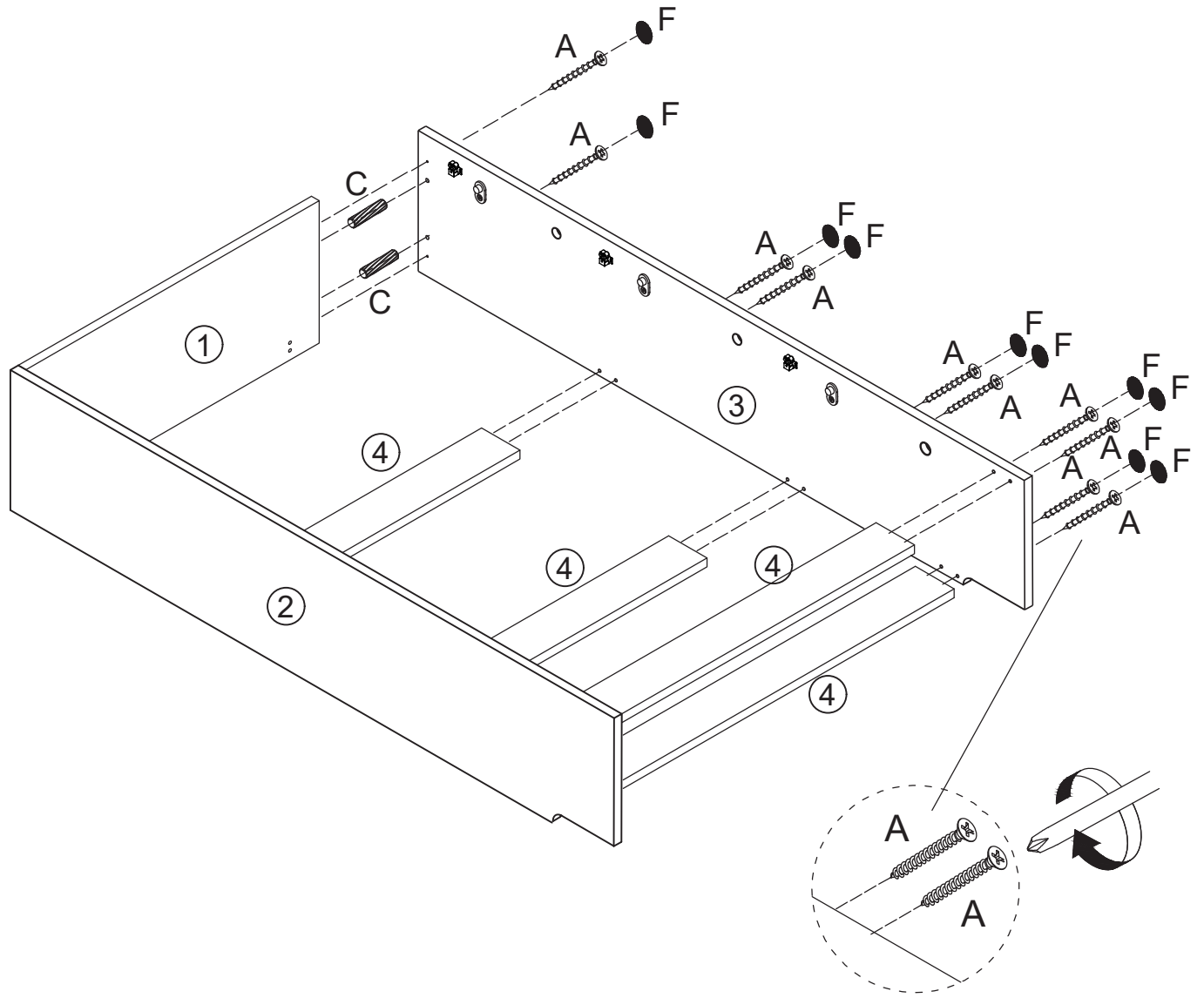
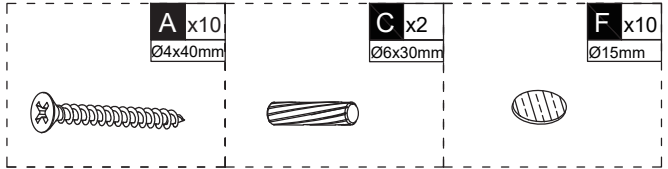


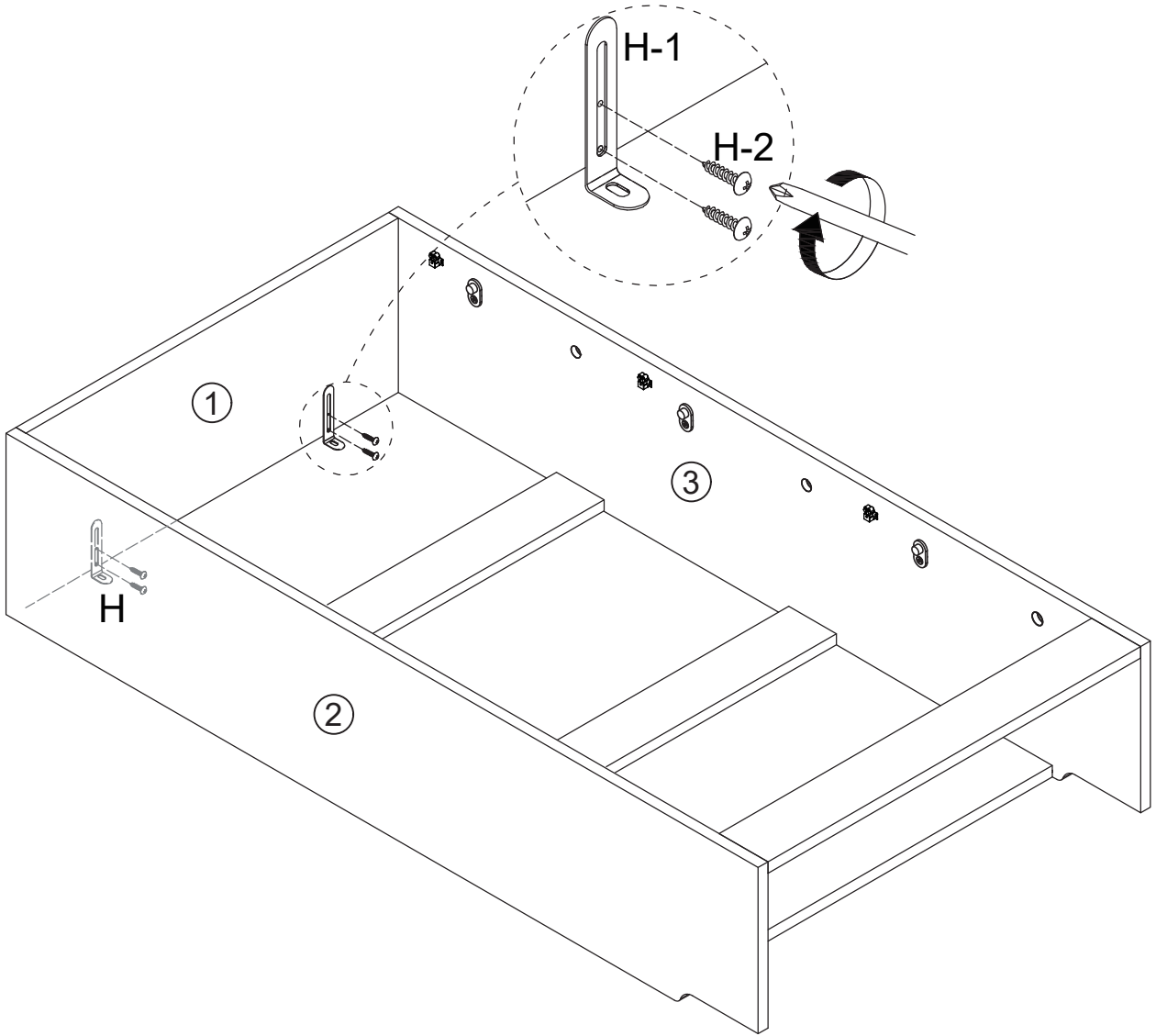
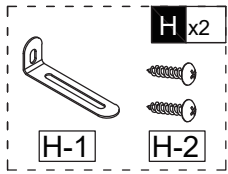
01

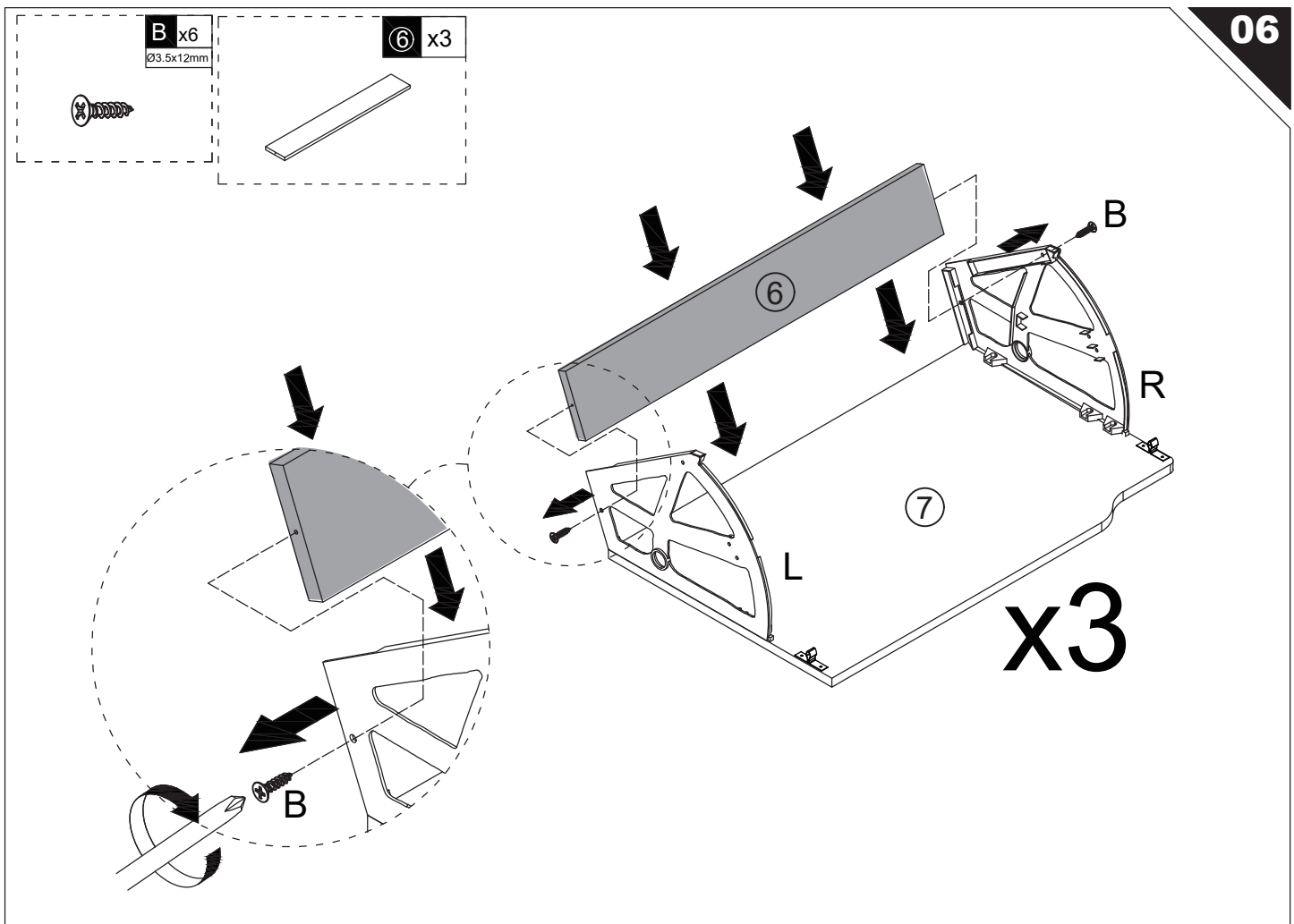
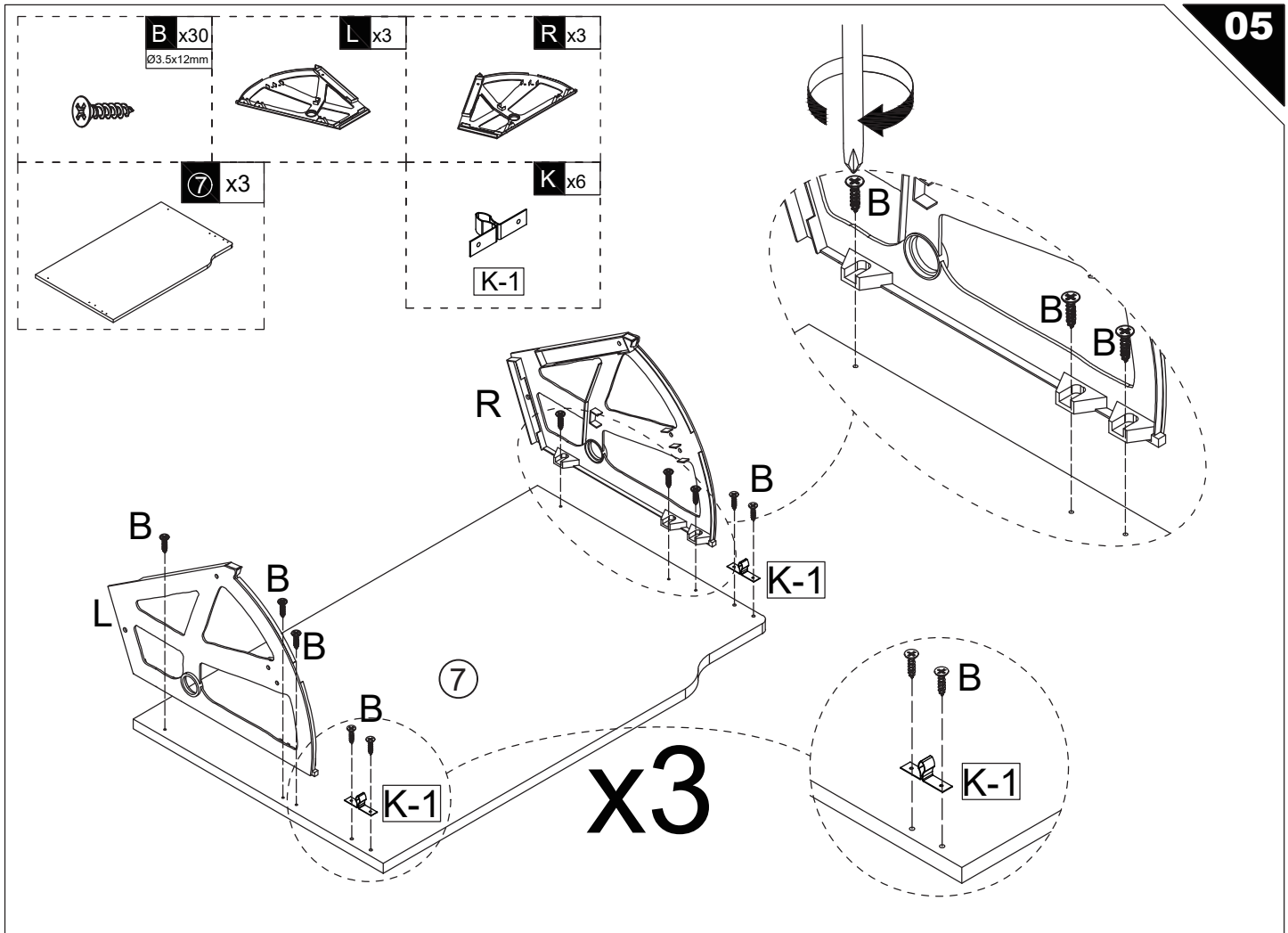
K-2 accessories will tighten when locked forward and loosen when locked backward, and locking the door as tightly as possible will make it lock more firmly





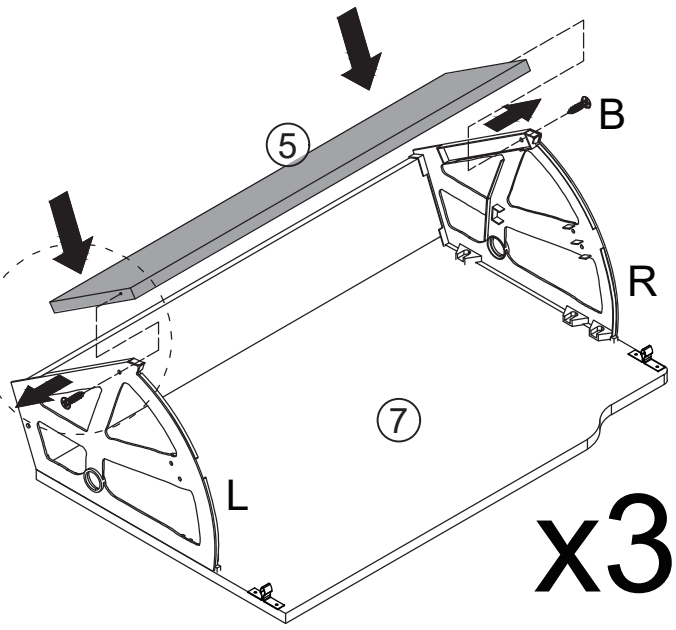
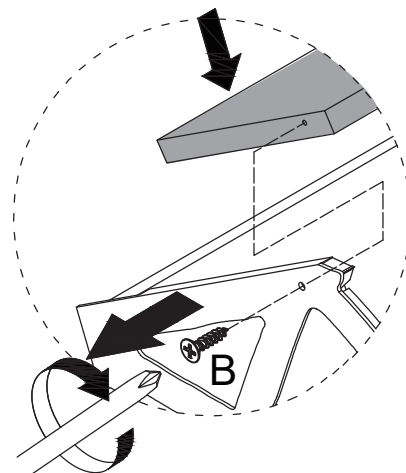
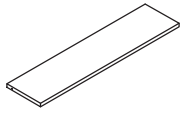






B x6
Ø3.5x12mm

5 x3



x3

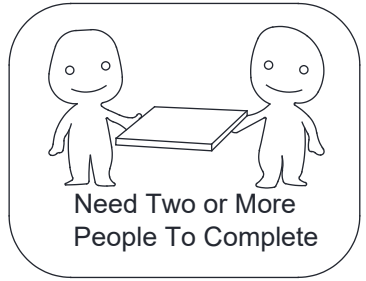
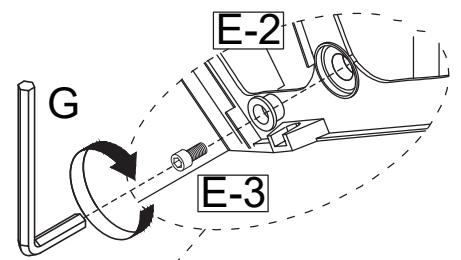
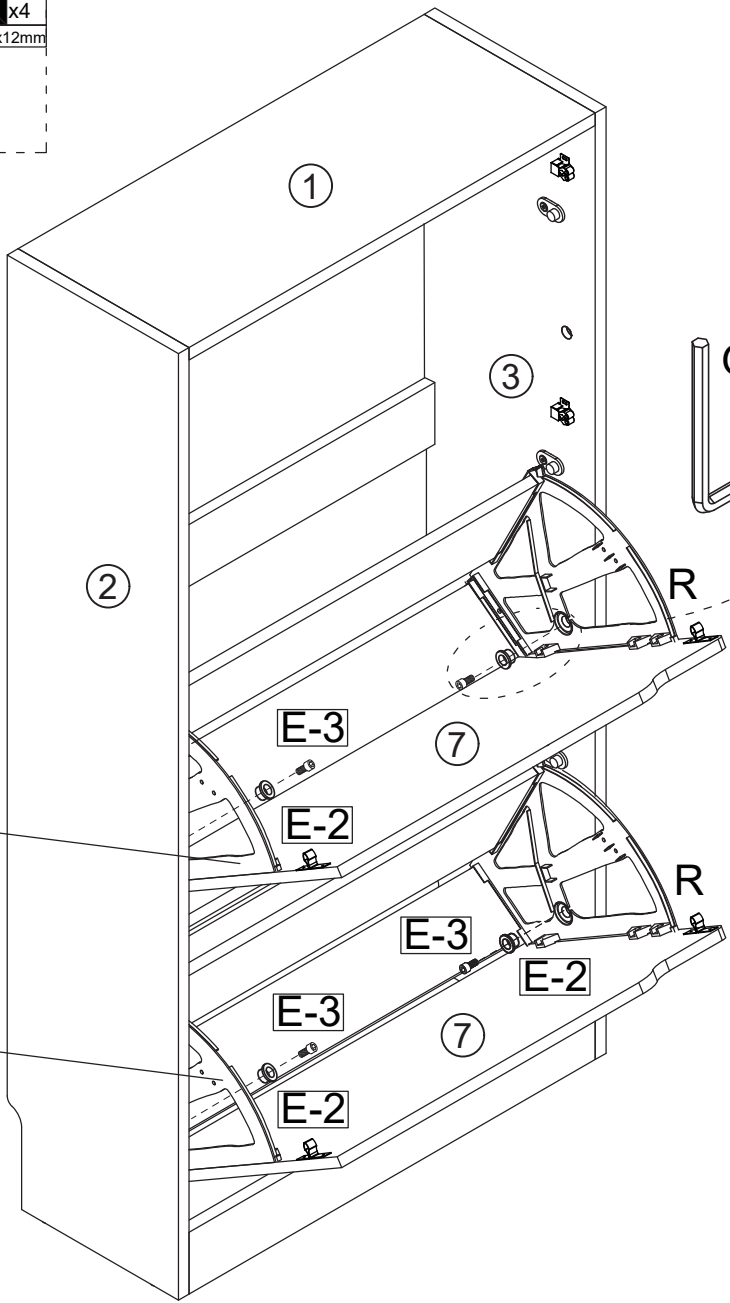
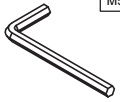
E x4
M6x12mm



E-2

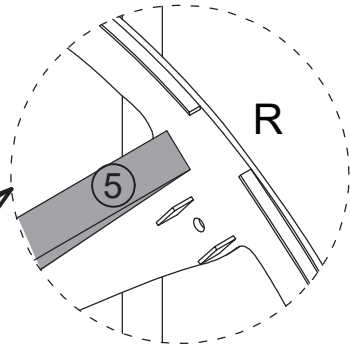
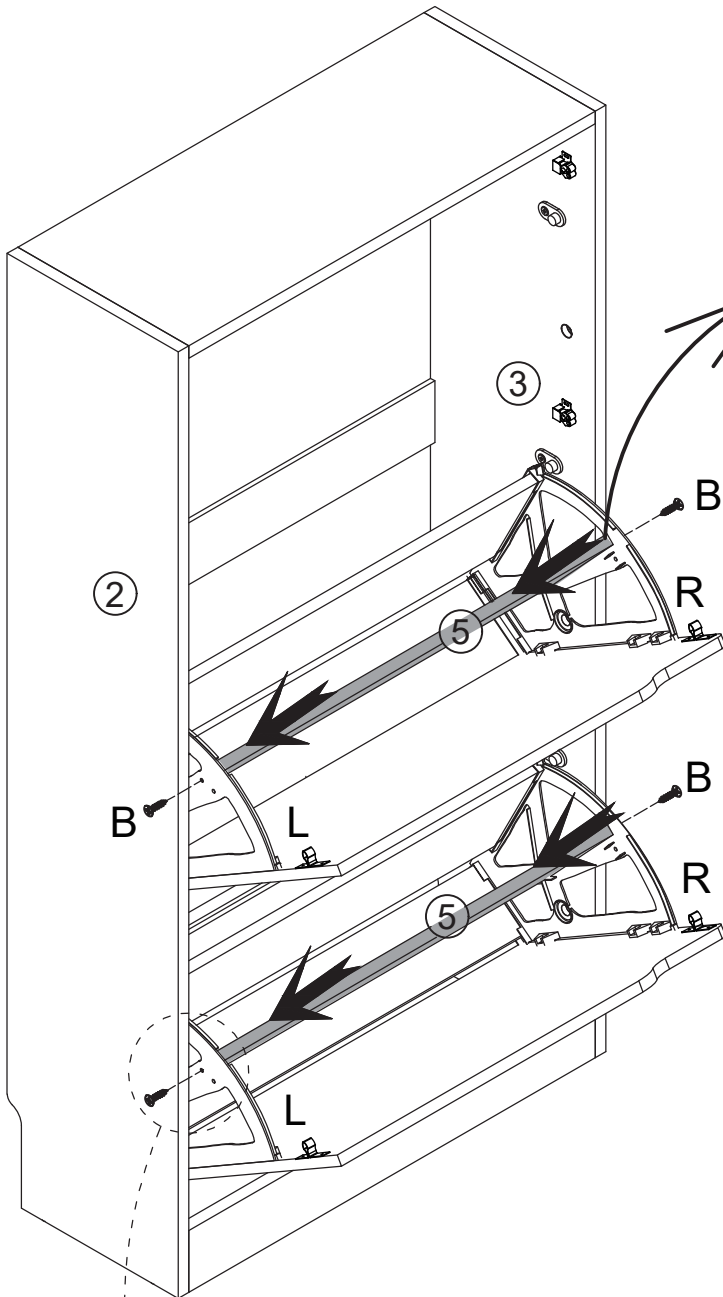
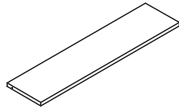
E-3

G x1
M5

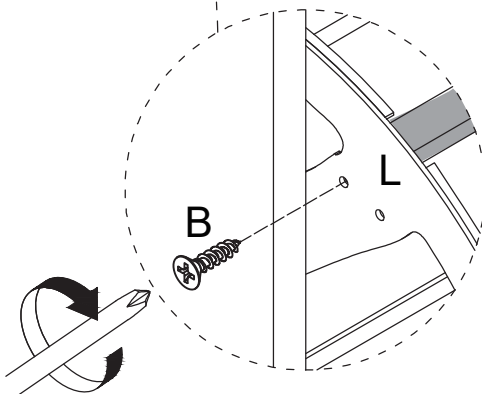
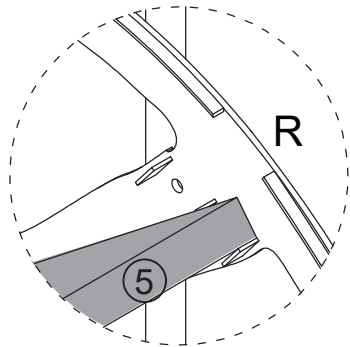


B x4
Ø3.5x12mm

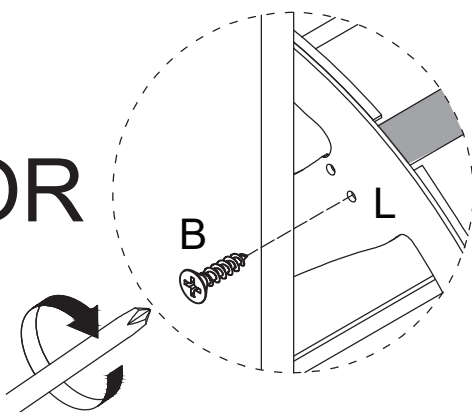
5 x2



OR

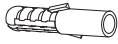


OR



A x2
Ø4x40mm

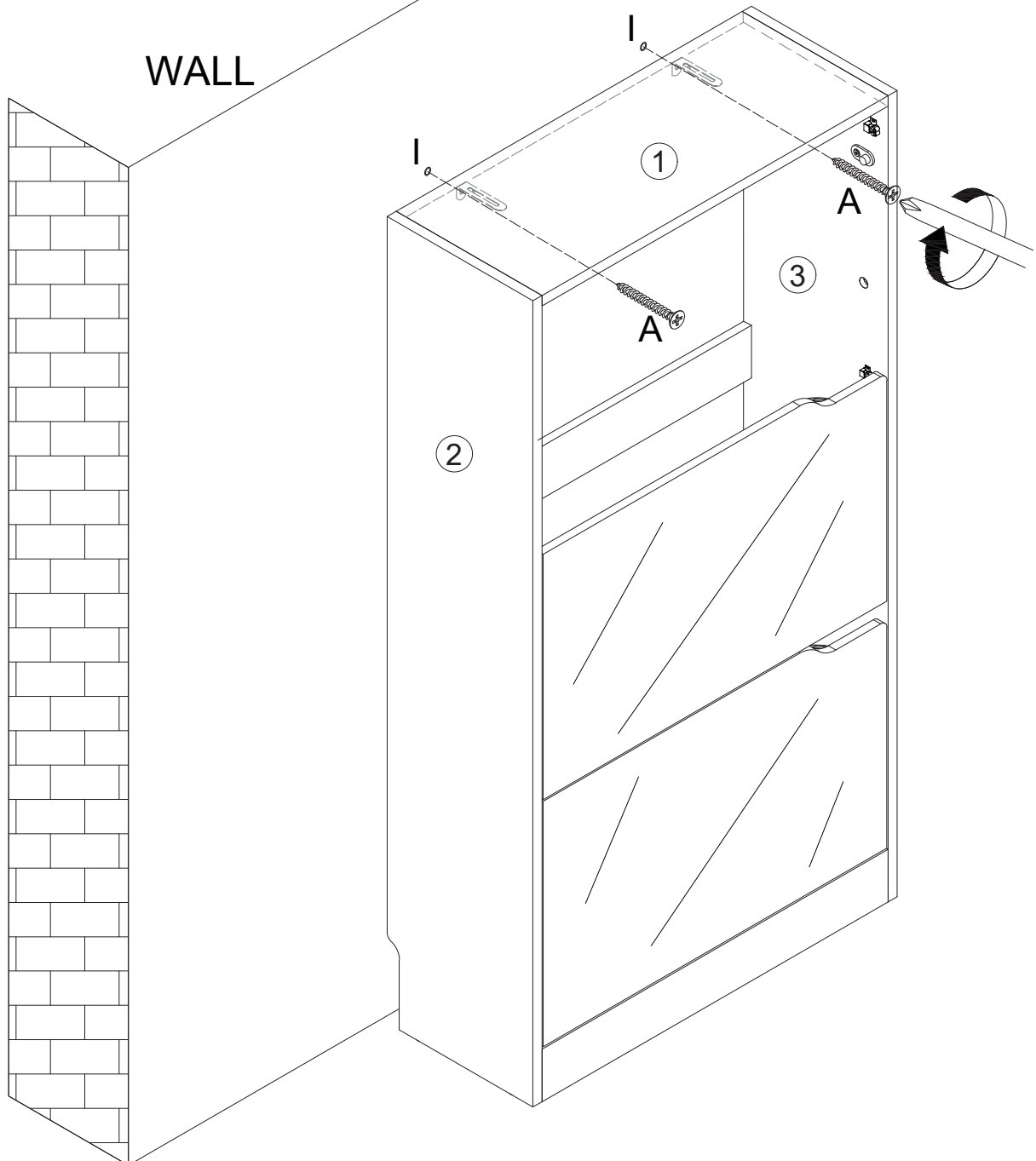
I x2
Ø6x30mm

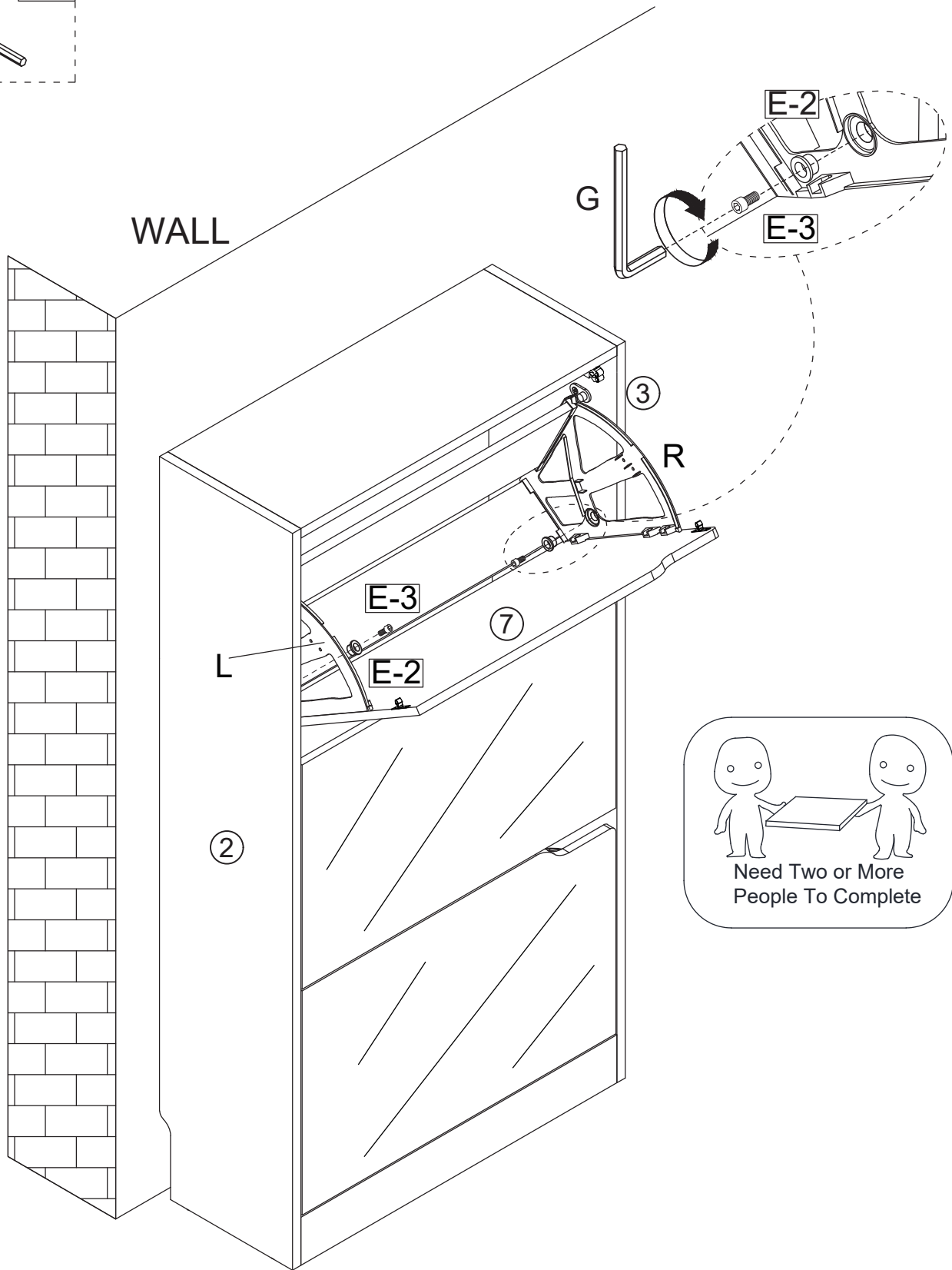
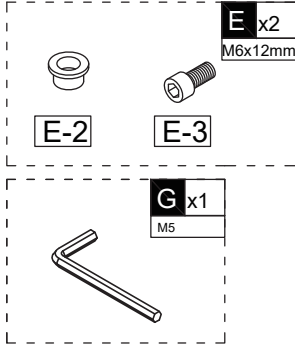


<p>WALL</p> <p>I x2</p>	<p>WALL + drilling hole Ø6x30mm</p> <p>II x2</p>	<p>WALL</p> <p>III x2</p>
---------------------------------------	--	---



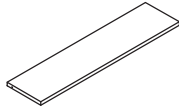
This product must be wall locked for use



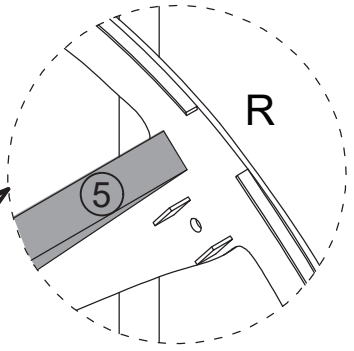
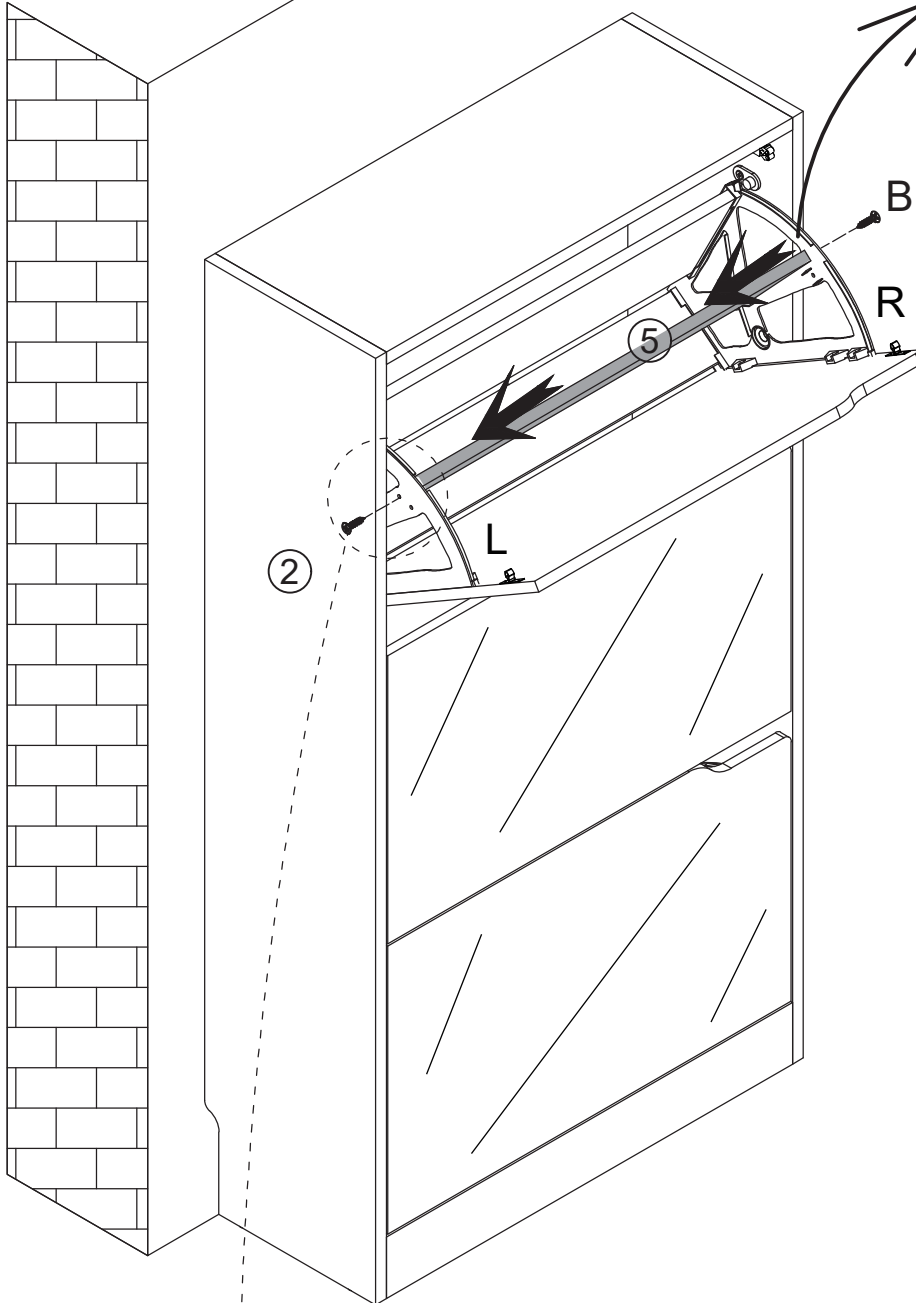


B x2
Ø3.5x12mm

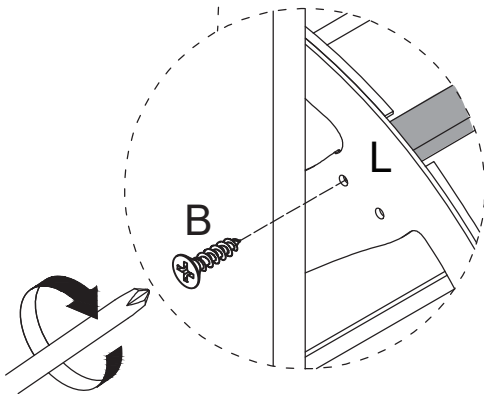
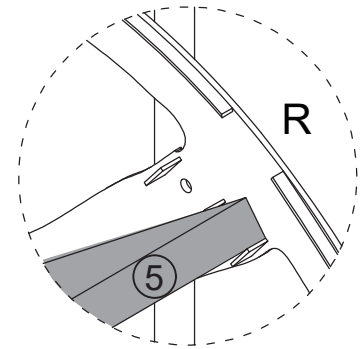
5 x1



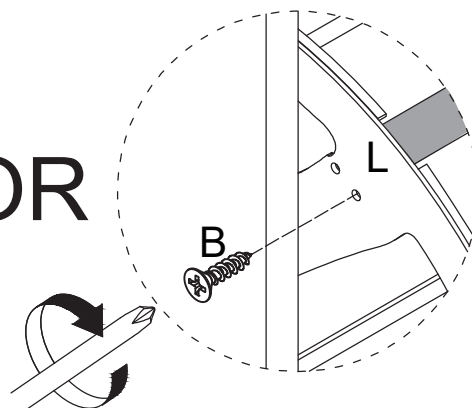
WALL

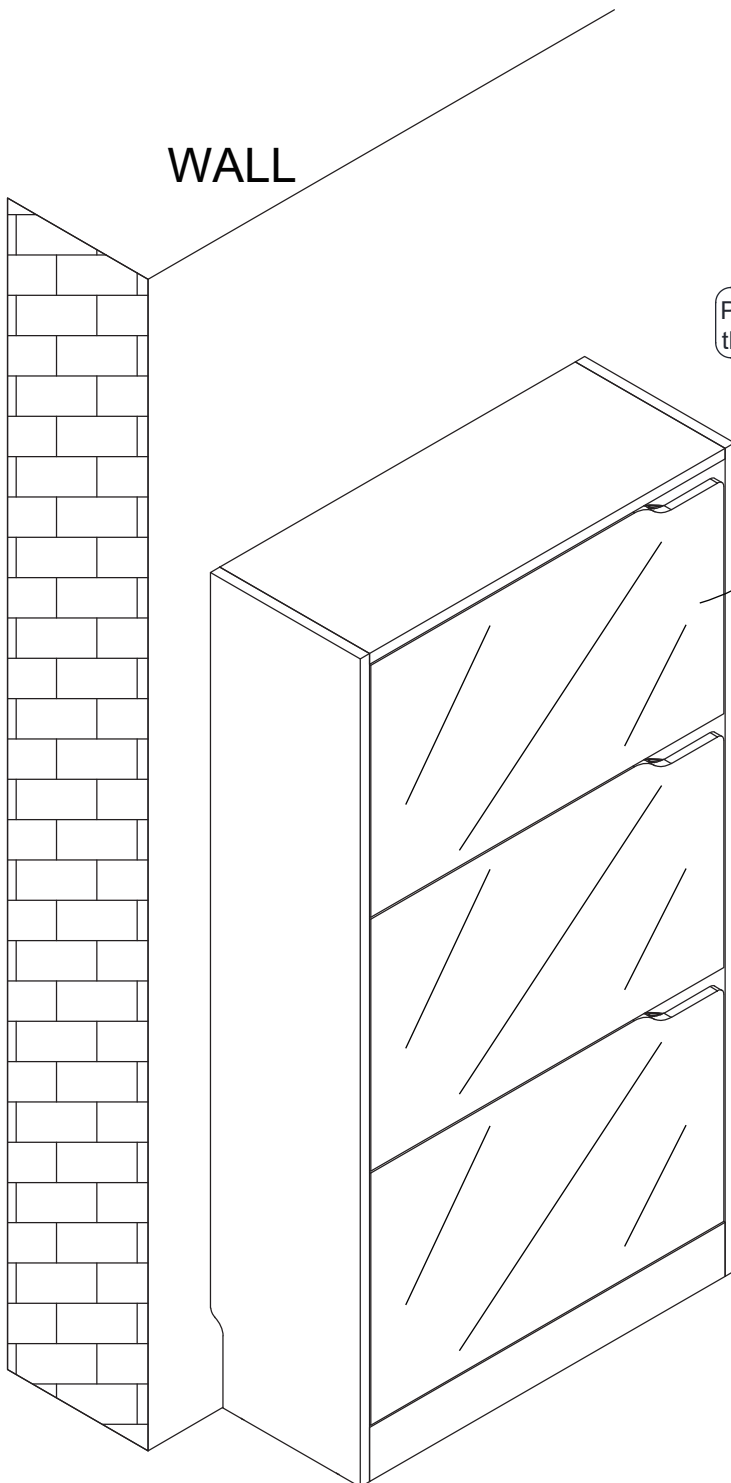


OR



OR





WALL



Please tear off the film on the outside of the mirror.