

# ROLLING PLATFORM LADDER

## INSTALLATION INSTRUCTIONS



Type IAA Duty Rating

**375** LOAD CAPACITY lbs.

*Combined Weight of User and Materials*

# ROLLING PLATFORM LADDER INSTALLATION INSTRUCTIONS

---



**BEFORE USING THE LADDER, PLEASE CAREFULLY READ THE INSTRUCTION MANUAL.  
FAILURE TO COMPLY WITH THE INSTRUCTIONS MAY RESULT IN SERIOUS INJURY.**

**IT IS ESSENTIAL TO FOLLOW THE INSTALLATION GUIDELINES  
AND ENSURE THAT ALL ACCESSORIES ARE SECURELY ATTACHED  
AND THOROUGHLY INSPECTED BEFORE USE.**

## Contents

### 1 PRODUCT DESCRIPTION

• Product Overview .....	1
• Product Model Showcase .....	2
• Ladder Dimensions and Working Height .....	4

### 2 SAFETY REGULATIONS

• Pre-use Inspection .....	5
• Proper Setup and Usage .....	5
• Proper Product Storage .....	6

### 3 PRODUCT INSTALLATION

• Product Parts List .....	7
• Installation steps 1- Assemble Platform and Front Section& Rear Section .....	10
• Installation steps 2- Assemble LHS and RHS Wheel Systems .....	11
• Installation steps 3- Assemble Safety Gate .....	12
• Installation steps 4- Assemble slant support on both sides of the ladder .....	13
• Installation steps 5- Assemble the handrails on both sides of the ladder .....	14
• Installation steps 6- Assemble LHS and RHS wheel systems .....	15
• Installation steps 7- Assemble the upper parts to platform .....	16

# 1 PRODUCT DESCRIPTION

## Product Overview

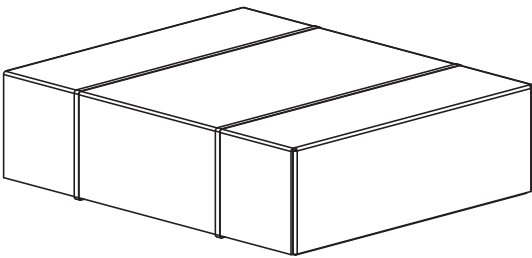
The Rolling Platform Ladder consists of four parts: aluminum alloy ladder body, wheel assembly, platform, and railing (height not adjustable). This product is designed for detachable installation, and customers need to install it according to the instructions upon receiving the goods.

The rolling platform ladder series is an industrial-grade ladder designed for Special-Duty applications. It has a weight capacity of 375lbs/ 170kg, which includes the user's weight and the weight of materials.

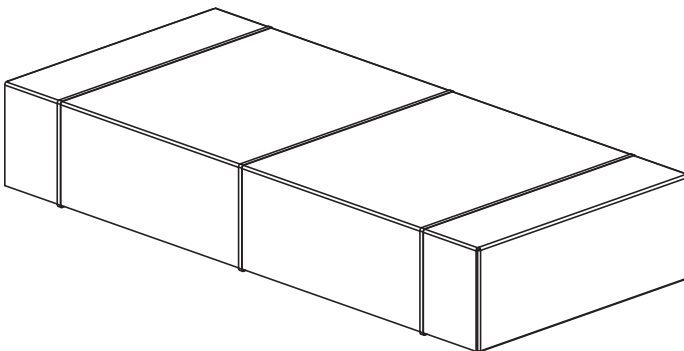
Compliance Standard: ANSI A14.2 -American National Standard for Ladder- Portable Metal-Safety Requirements.

### WARNING

The ladder body and steps of the aluminum alloy Platform Ladder are made of aluminum alloy, making it a non-insulated ladder. It is strictly prohibited to use this ladder series near live electrical currents. This product is designed for detachable installation, and customers need to install it according to the instructions upon receiving the goods.



(Packaging for 3-6 Steps)



(Packaging for 7-14 steps)



(5 Step ladder)

### Before Installation

### WARNING

After receiving the goods, please check if there is any damage to the ladder components. If there is any damage, please contact our after-sales personnel for assistance!

### After Installation

# 1 PRODUCT DESCRIPTION

---

## Product Image



(3 Step ladder)



(4 Step ladder)



(5 Step ladder)



(6 Step ladder)



(7 Step ladder)



(8 Step ladder)

# 1 PRODUCT DESCRIPTION

---

## Product Model Showcase



(10 Step ladder)



(12 Step ladder)



(14 Step ladder)

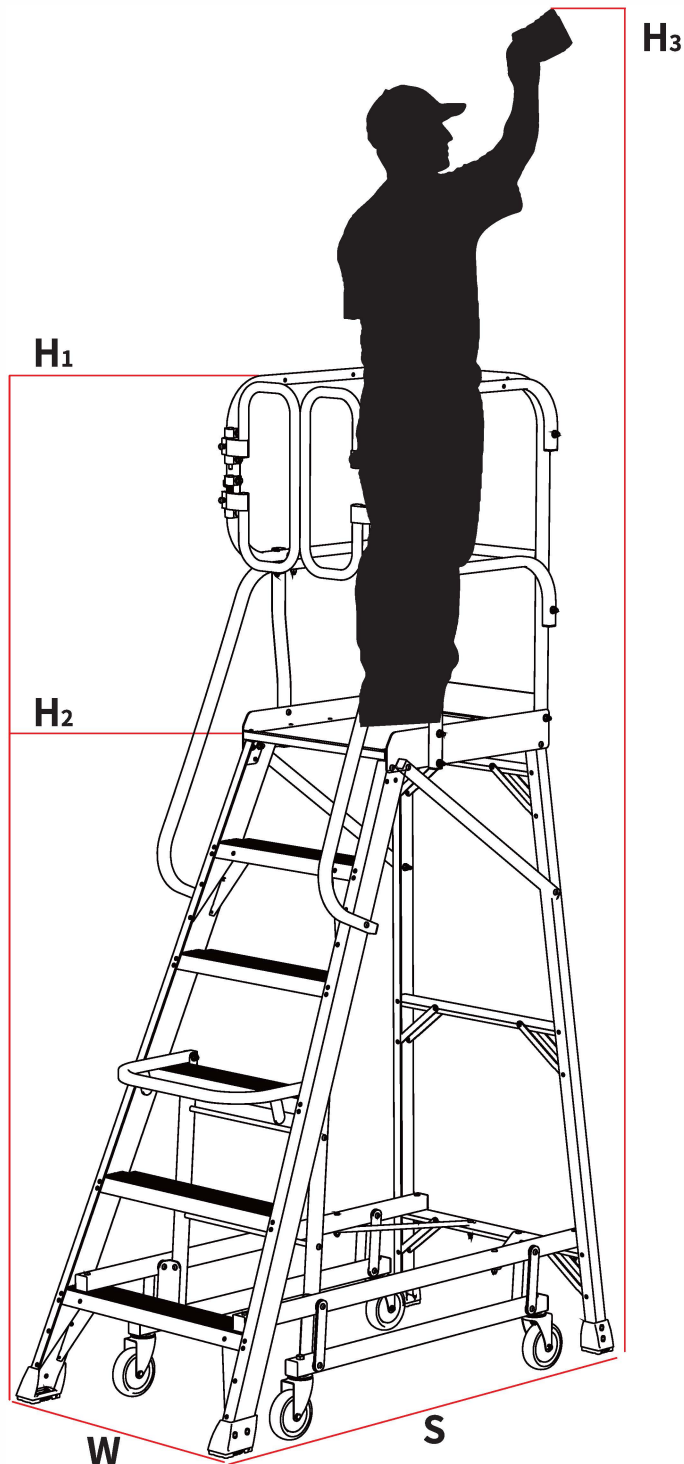
# 1 PRODUCT DESCRIPTION

## Ladder Dimensions and Working Height

The diagram below shows the main dimensions and working height of the ladder.

PART NUMBER	3A -001	4A -001	5A -001	6A -001	7A -001	8A -001	10A -001	12A -001	4A -001
Extended Height(H <sub>1</sub> )	1.78m	2.05m	2.33m	2.61m	2.88m	3.15m	3.71m	4.26m	4.81m
Max Standing Height(H <sub>2</sub> )	0.82m	1.10m	1.38m	1.65m	1.93m	2.20m	2.75m	3.30m	3.86m
*Max Reach(H <sub>3</sub> )	2.82m	3.10m	3.37m	3.65m	3.93m	4.20m	4.75m	5.30m	5.86m
Ladder Width(W)	0.63m	0.67m	0.71m	0.75m	0.79m	0.83m	0.92m	1.00m	1.08m
Ladder Span(S)	1.00m	1.15m	1.29m	1.43m	1.57m	1.71m	2.00m	2.28m	2.56m

\*Max Reach = Maximum standing height + Person's height (1.70m) + Arm reach height (0.3m)



# 2 SAFETY REGULATIONS

---

## Pre-use Inspection

For safety reasons, please follow the inspection instructions below :

### **WARNING**

Failure to comply with these instructions may result in serious injury or death.  
Always follow these safety instructions:

- Do not use a ladder with missing, worn, or damaged parts. Always inspect the ladder before each use.
- Do not attempt to repair a damaged ladder yourself.
- Avoid placing the ladder in environments that are too hot or corrosive (e.g., acid or alkali), as it may damage the ladder.
- For information about replacing parts, please contact your dealer or supplier. If possible, provide the ladder model number for reference, found on the information label of the ladder.
- For additional maintenance, usage, and safety instructions, please contact your dealer or supplier.

---

## Proper Setup and Usage

For safety reasons, please follow these setup and usage instructions:

- Carefully read all labels.
- Do not use the ladder after consuming alcohol, medication, or if feeling unwell.
- Avoid using the ladder in front of unlocked doors.
- Place all ladder feet on a firm and level surface.
- If using the ladder on a smooth surface, secure it before climbing to prevent slipping.
- Using the ladder on cloth may pose a slipping hazard.
- Always face the ladder and maintain a firm grip while climbing.
- Do not place anything on or under the ladder to increase height, and avoid setting the ladder on uneven ground using unstable methods.
- Exercise extra caution when ascending or descending the ladder.
- For ladders with seven or more steps, at least one person should be responsible for securing and watching over the ladder.
- Before using the ladder, ensure that the wheel assembly is retracted to prevent movement.
- When moving the ladder, ensure there are no people, tools, or materials on the ladder to prevent falls and injuries.
- Metal ladders conduct electricity and should never be used near live electrical sources.
- Strictly prohibit minors from climbing or using the ladder.

## 2 SAFETY REGULATIONS

### Proper Setup and Usage

For safety reasons, please follow the setup and usage instructions below :

- Do not walk, jump, or move the ladder while on it.
- Avoid overreaching. Always keep your body's center of gravity in the middle of the ladder when climbing or working on it; otherwise, you may lose balance and fall.
- Exercise extra caution when using the ladder in windy weather.
- Be cautious when pushing or pulling anything while standing on the ladder.
- Do not use the ladder as a support.
- The combined weight of personnel, tools, and materials must not exceed 375lbs/ 170kg (refer to the label on the ladder).
- Do not use any components or parts on this ladder that have not been provided or approved by our company.
- Do not use ladder jacks on this ladder, regardless of their intended use.

**! WARNING**

**TYPE IAA**  
**375** <sup>170kg</sup> **lbs**  
LOAD RATING  
INCLUDES USER, TOOLS & MATERIALS

**Aluminum Conductivity**

**Contact with current can cause serious injury or death**

**Do not use this product near current**

**DO NOT USE WHERE ELECTRICAL HAZARD EXISTS**

**91085A-001**  
Rolling Platform Ladder  
**5 Step**  
Ladder Height:

**! WARNING**

**ANSI A14.2 TYPE IAA DUTY RATED 375lb/170kg INCLUDES USER, TOOLS & MATERIALS**

**Compliance Standard:**  
**ANSI A14.2 -**  
**American National Standard for Ladder-Portable Metal-Safety Requirements.**

**TYPE IAA DUTY RATING**  
**375** **LBS** LOAD RATING  
**INCLUDES USER, TOOLS & MATERIALS**

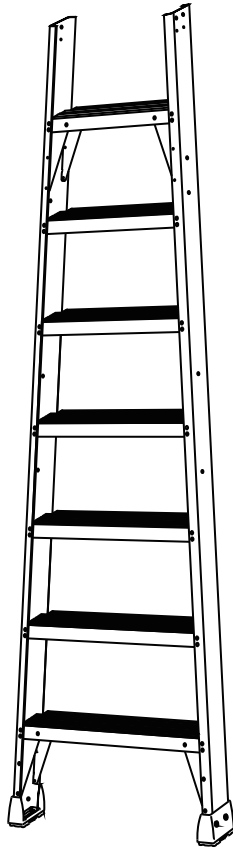
### Proper Product Storage

For safety purposes, please adhere to the following precautions:

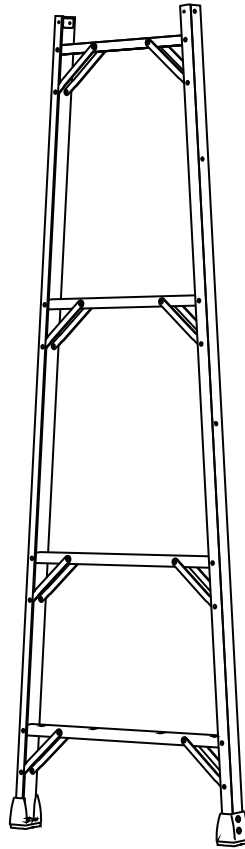
- Always keep the ladder clean and free from any foreign objects. Clean it after each use.
- Regularly inspect the movable parts. Lubricate all movable parts on a regular basis. Be careful not to apply lubricants to the step rollers or ladder frame.

# 3 PRODUCT INSTALLATION

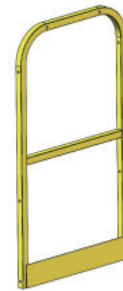
## Product Parts List



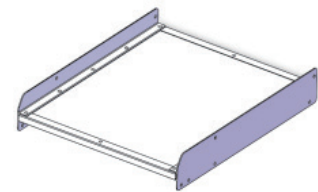
Front Section\*1



Rear Section\*1



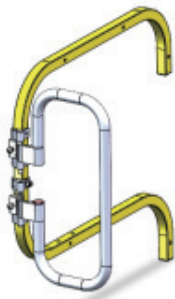
Rear Upright\*1



Platform\*1



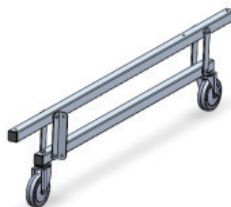
Horizontal connecting rod\*1(3 Step)  
Horizontal connecting rod\*2(4-14 Step)



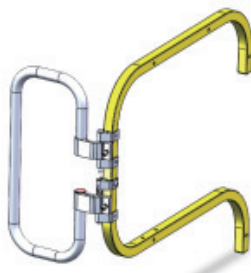
LHS Safety Gate\*1



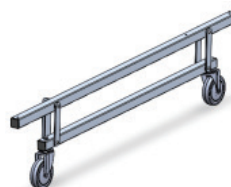
Handle\*1



LHS Wheel System\*1



RHS Safety Gate\*1



RHS Wheel System\*1



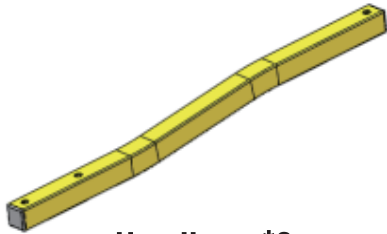
LHS Side Brace\*1



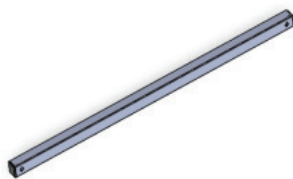
RHS Side Brace\*1

# 3 PRODUCT INSTALLATION

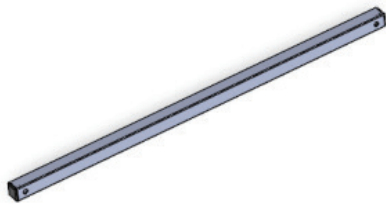
## Product Parts List



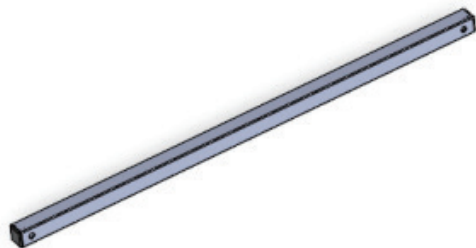
**Handlever\*2**



**Side Brace(S)\*2**



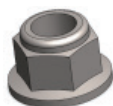
**Side Brace(L)\* 2 (8-14 Step)**



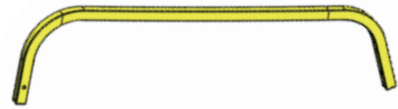
**Side Brace(XL)\* 2 (10-14 Step)**



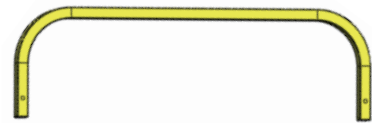
**Screws\*N**



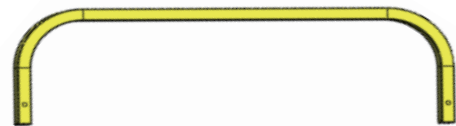
**Nuts\*N**



**Top Handrail\*2**



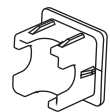
**Length: 82.5cm**  
**Bottom Handrail\*2 (8 Step)**  
**Bottom Handrail\*4 (12 Step)**



**Length: 122.5cm**  
**Bottom Handrail\*2 (10 Step)**  
**Bottom Handrail\*4 (14 Step)**



**Plan Braces\*2**



**Handle end cover\*2**



**External Hexagon Wrench \*1**



**Hexagon Socket Wrench \*1**

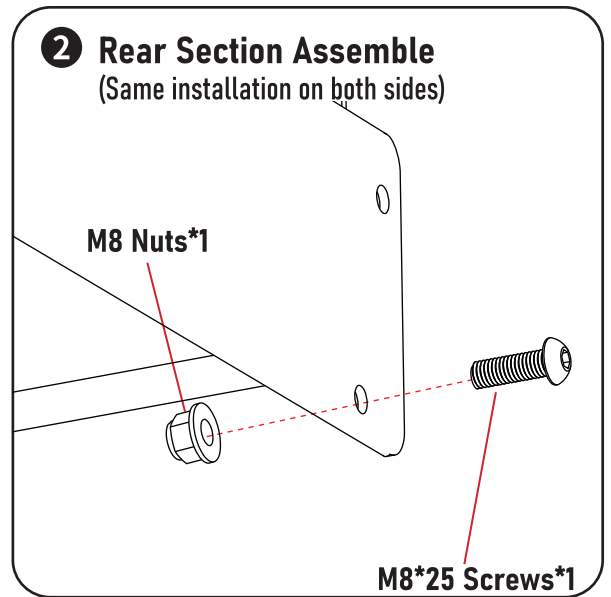
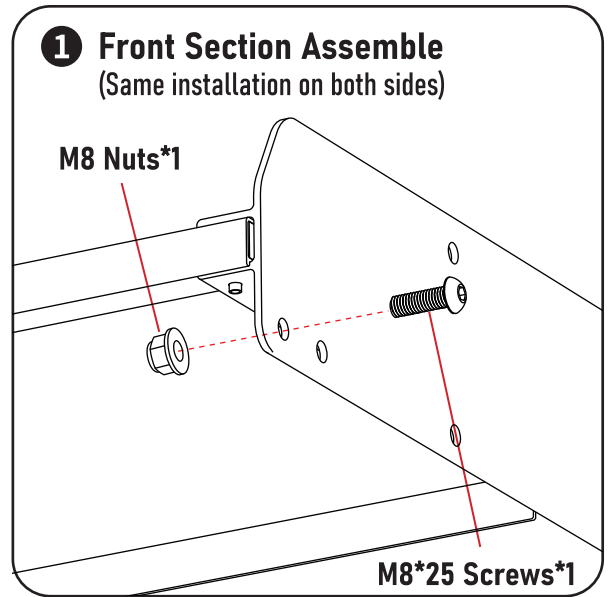
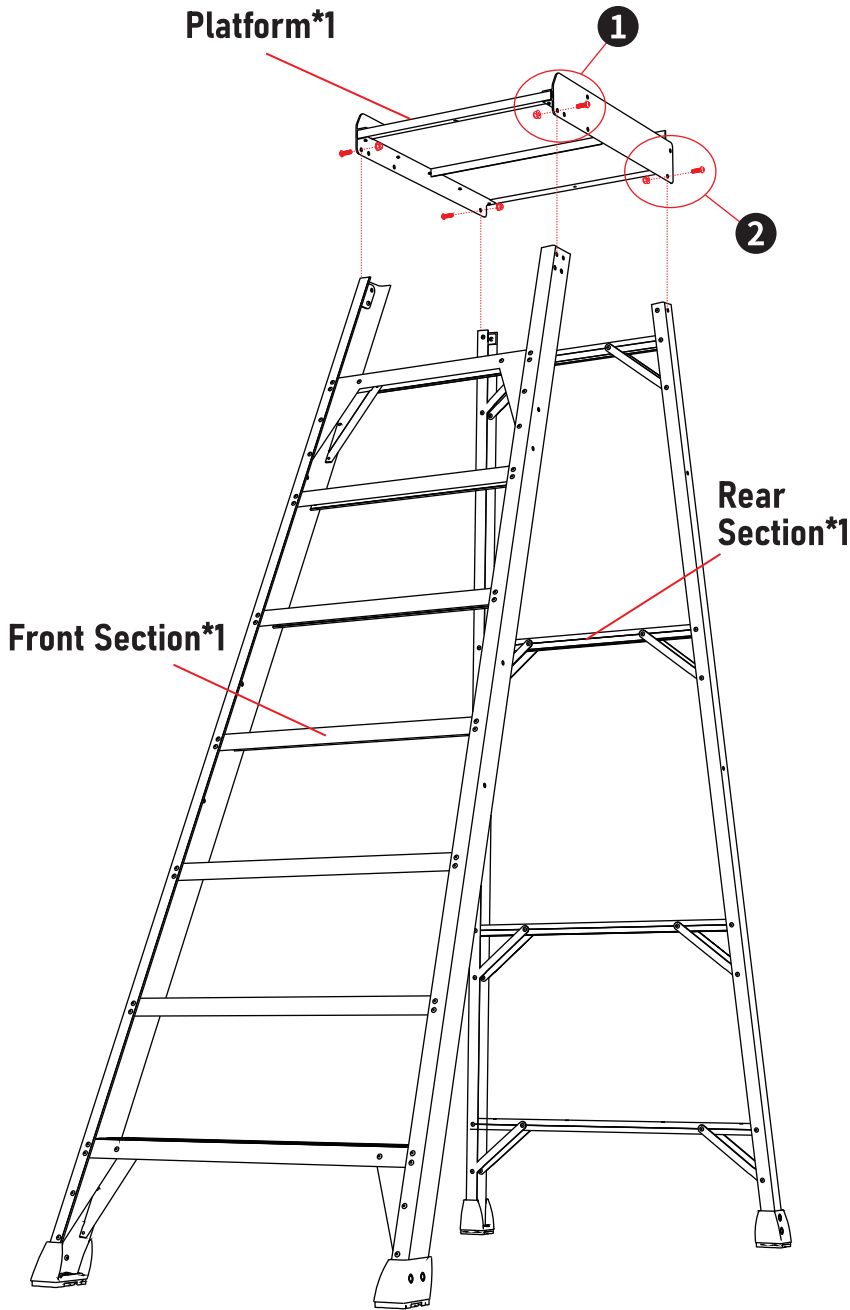
# 3 PRODUCT INSTALLATION

## Product Parts List

NO	Parts	3A -001	4A -001	5A -001	6A -001	7A -001	8A -001	10A -001	12A -001	14A -001	Remark
1	Front Section	1	1	1	1	1	1	1	1	1	
2	Rear Section	1	1	1	1	1	1	1	1	1	
3	Rear Upright	1	1	1	1	1	1	1	1	1	
4	Platform	1	1	1	1	1	1	1	1	1	
5	LHS Satety Gate	1	1	1	1	1	1	1	1	1	
6	RHS Satety Gate	1	1	1	1	1	1	1	1	1	
7	Handle	1	1	1	1	1	1	1	1	1	
8	Handle end cover	2	2	2	2	2	2	2	2	2	
9	LHS Wheel System	1	1	1	1	1	1	1	1	1	
10	RHS Wheel System	1	1	1	1	1	1	1	1	1	
11	Horizontal connecting rod	1	2	2	2	2	2	2	2	2	
12	LHS Side Brace	1	1	1	1	1	1	1	1	1	
13	RHS Side Brace	1	1	1	1	1	1	1	1	1	
14	Top Handrail	2	2	2	2	2	2	2	2	2	
15	Bottom Handrail (82.5cm)	/	/	/	/	/	2	/	4	/	
16	Bottom Handrail (122.5cm)	/	/	/	/	/	/	2	/	4	
17	Handlever	2	2	2	2	2	2	2	2	2	
18	Side Brace (S)	2	2	2	2	2	2	2	2	2	
19	Side Brace (L)	/	/	/	/	/	2	2	2	2	
20	Side Brace (XL)	/	/	/	/	/	/	2	2	2	
21	Plan Braces	2	2	2	2	2	2	2	2	2	
22	M8*20 Screws	12	12	12	12	12	12	12	12	12	Screws Number #1
23	M8*25 Screws	8	8	8	8	8	8	8	8	8	Screws Number #2
24	M8*45 Screws	28	28	28	28	28	28	34	34	34	Screws Number #3
25	M8*60 Screws	4	4	4	4	4	4	4	4	4	Screws Number #4
26	M8*67 Screws	10	10	10	10	10	10	10	10	10	Screws Number #5
27	M8*80 Screws	2	2	2	2	2	2	2	2	2	Screws Number #6
28	M8*50 Screws	2	2	2	2	2	2	2	2	2	Screws Number #7
29	M8 Nuts	64	64	64	64	64	64	70	70	70	Nuts Number #8
30	External Hexagon Wrench	1	1	1	1	1	1	1	1	1	
31	Hexagon socket wrench	1	1	1	1	1	1	1	1	1	

# 3 PRODUCT INSTALLATION

## Installation steps 1- Assemble Platform and Front Section& Rear Section



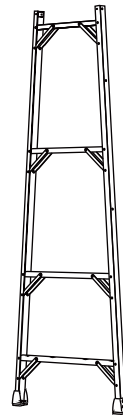
### Parts List



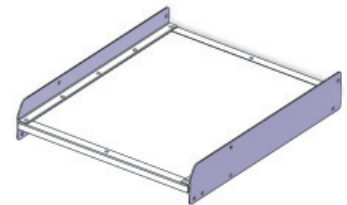
Ladder Frame Assembly Completed



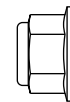
Front Section\*1



Rear Section\*1



Platform\*1



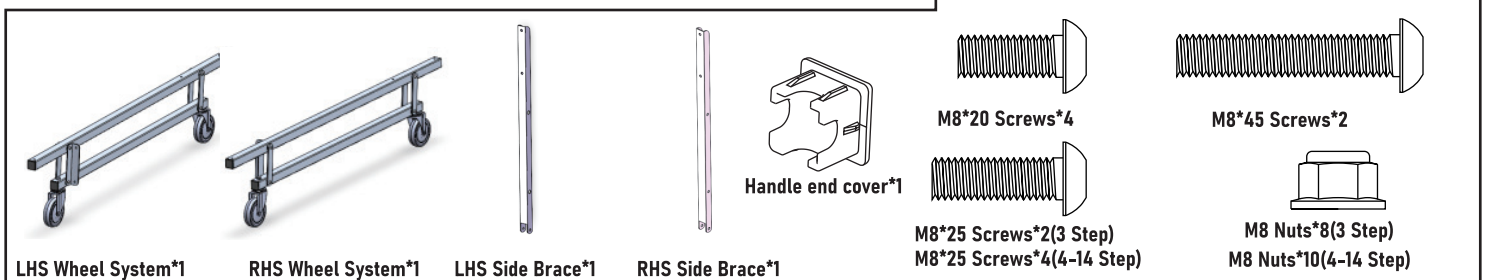
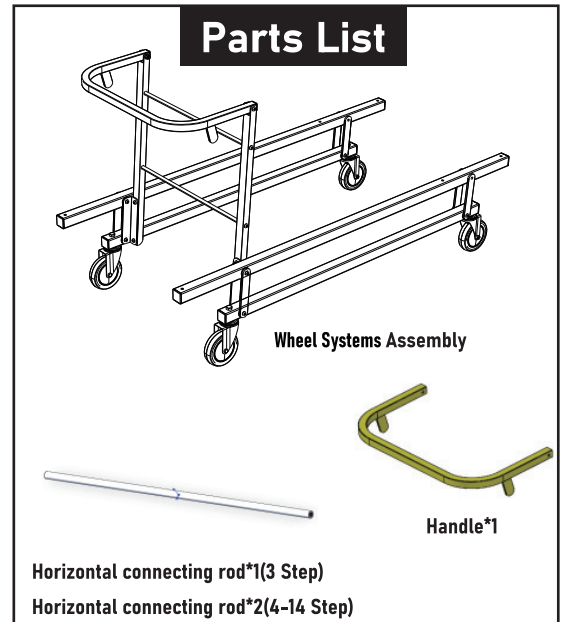
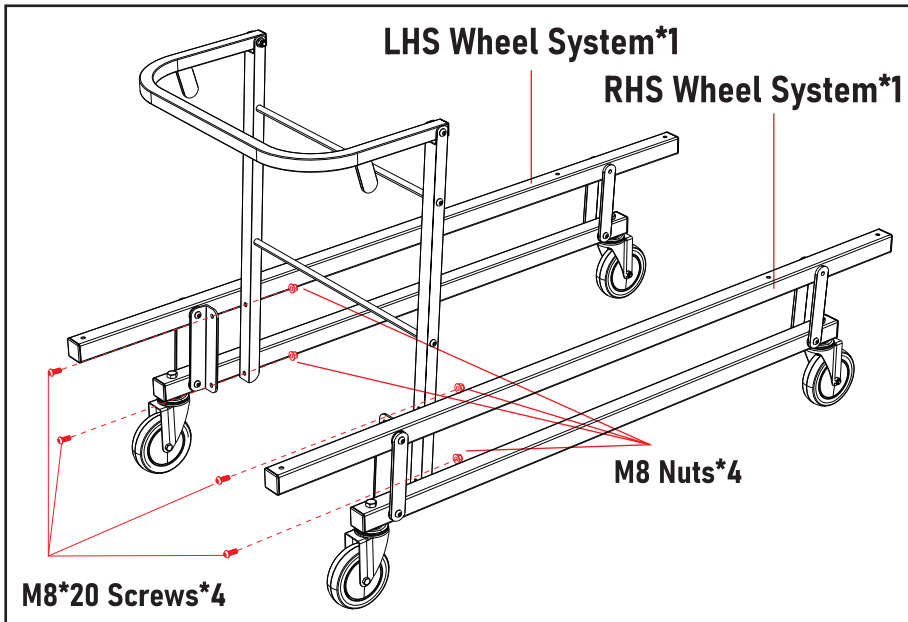
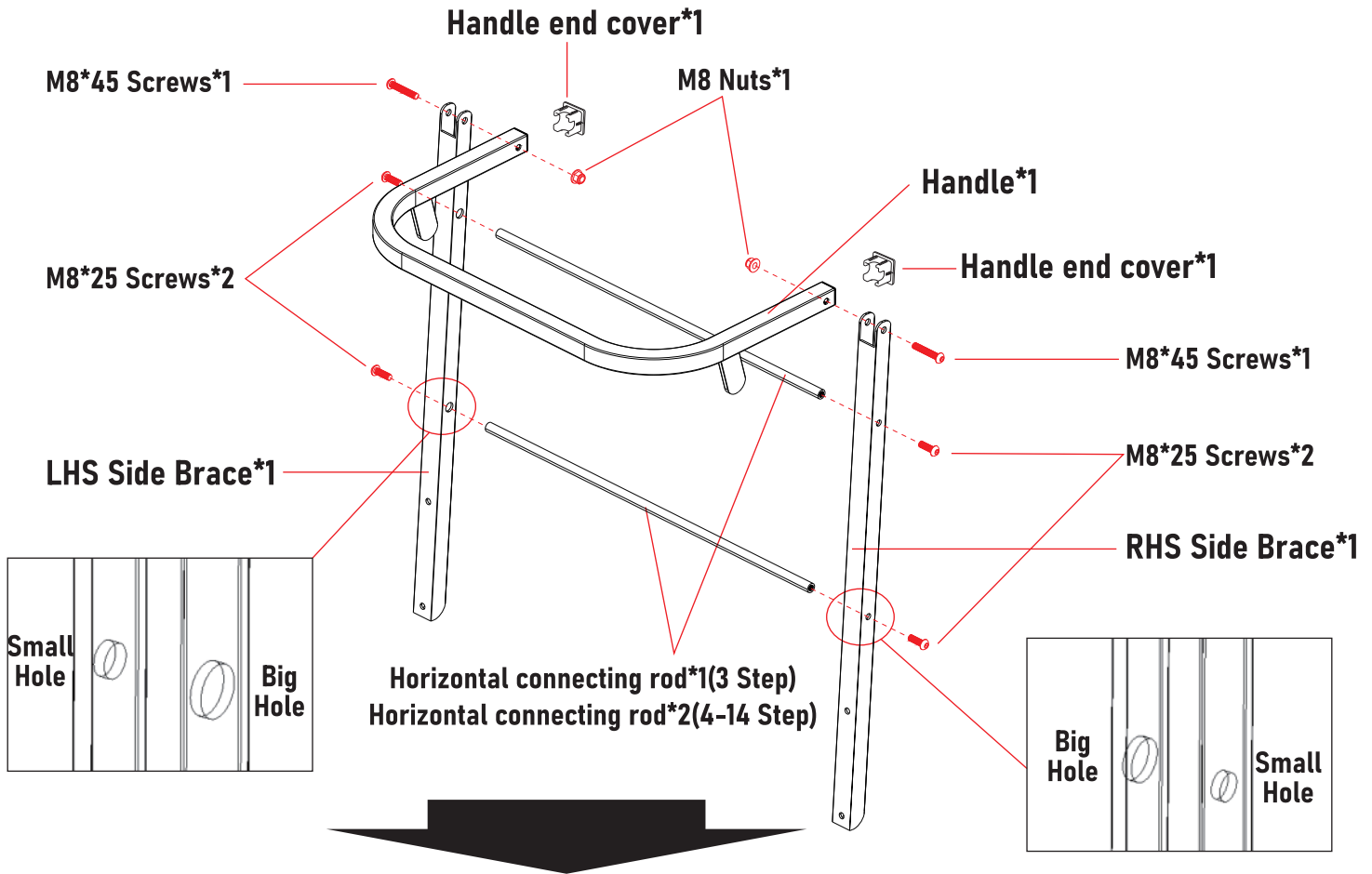
M8 Nuts\*4



M8\*25 Screws\*4

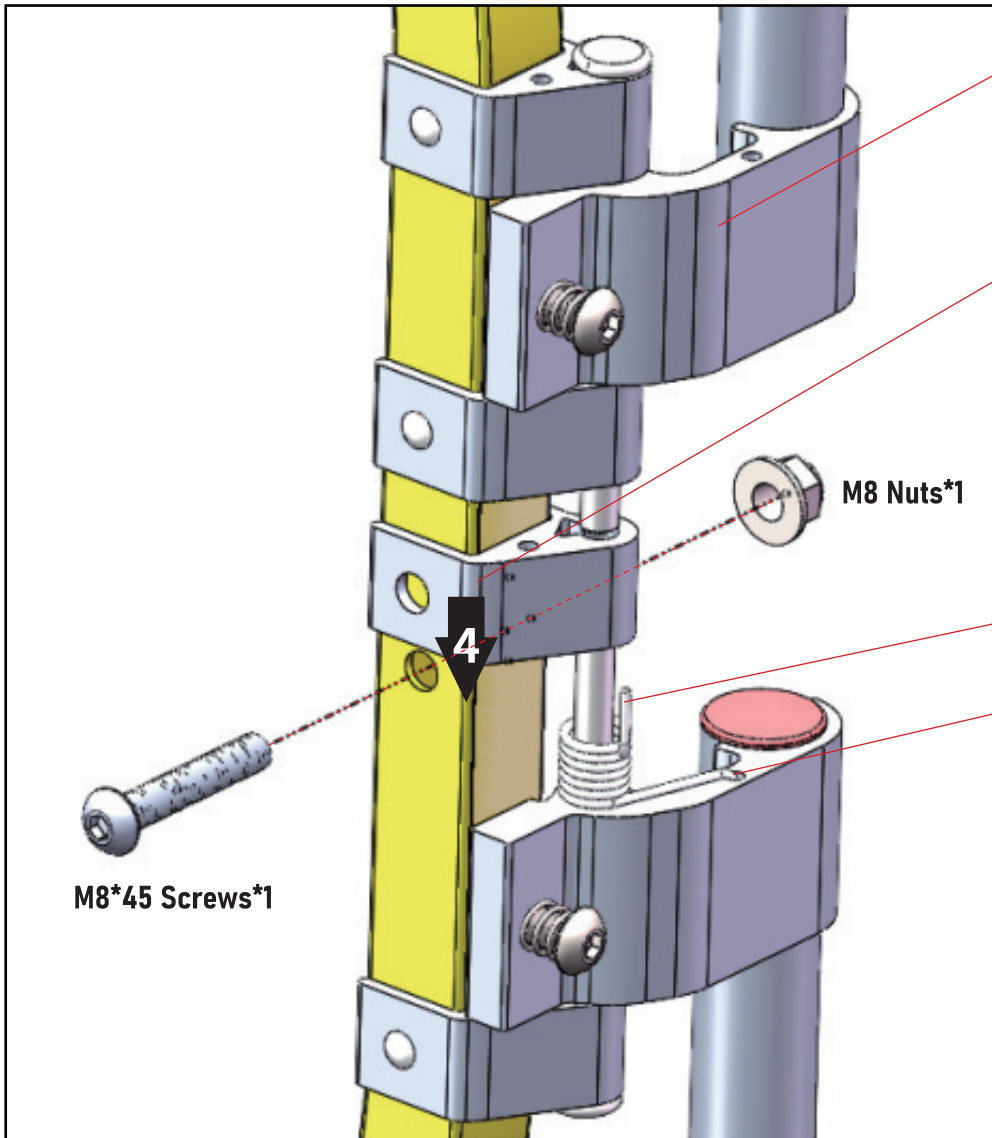
# 3 PRODUCT INSTALLATION

## Installation steps 2- Assemble LHS and RHS Wheel Systems



# 3 PRODUCT INSTALLATION

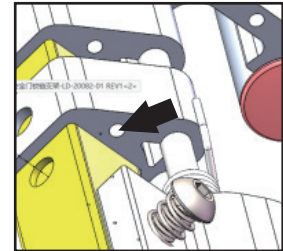
## Installation steps 3- Assemble Safety Gate



LHS Safety Gate\*1  
&  
RHS Safety Gate\*1

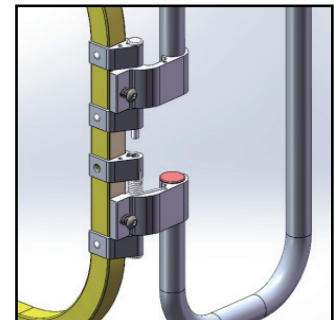
5 Fixed by bolts and nuts

4 Push the bracket down and install it in place



3 The spring arm is inserted into the hole (see above)

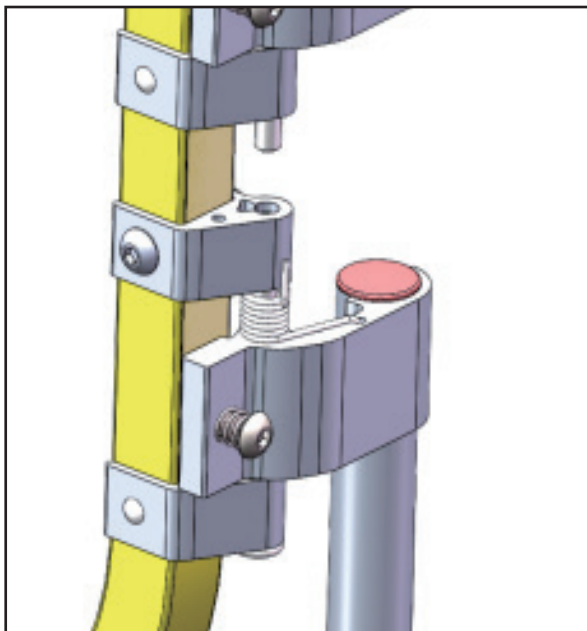
2 The spring arm is inserted into the hole



1 Remove the fastening ties here

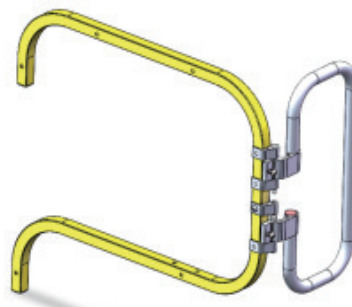
M8\*45 Screws\*1

M8 Nuts\*1

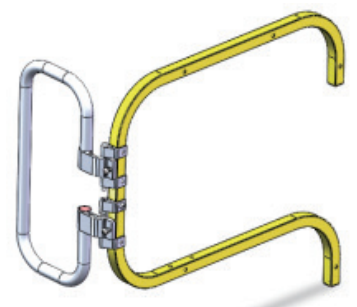


Confirm the installation status, the safety gate should rebound freely

### Parts List



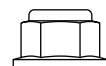
LHS Safety Gate\*1



RHS Safety Gate\*1



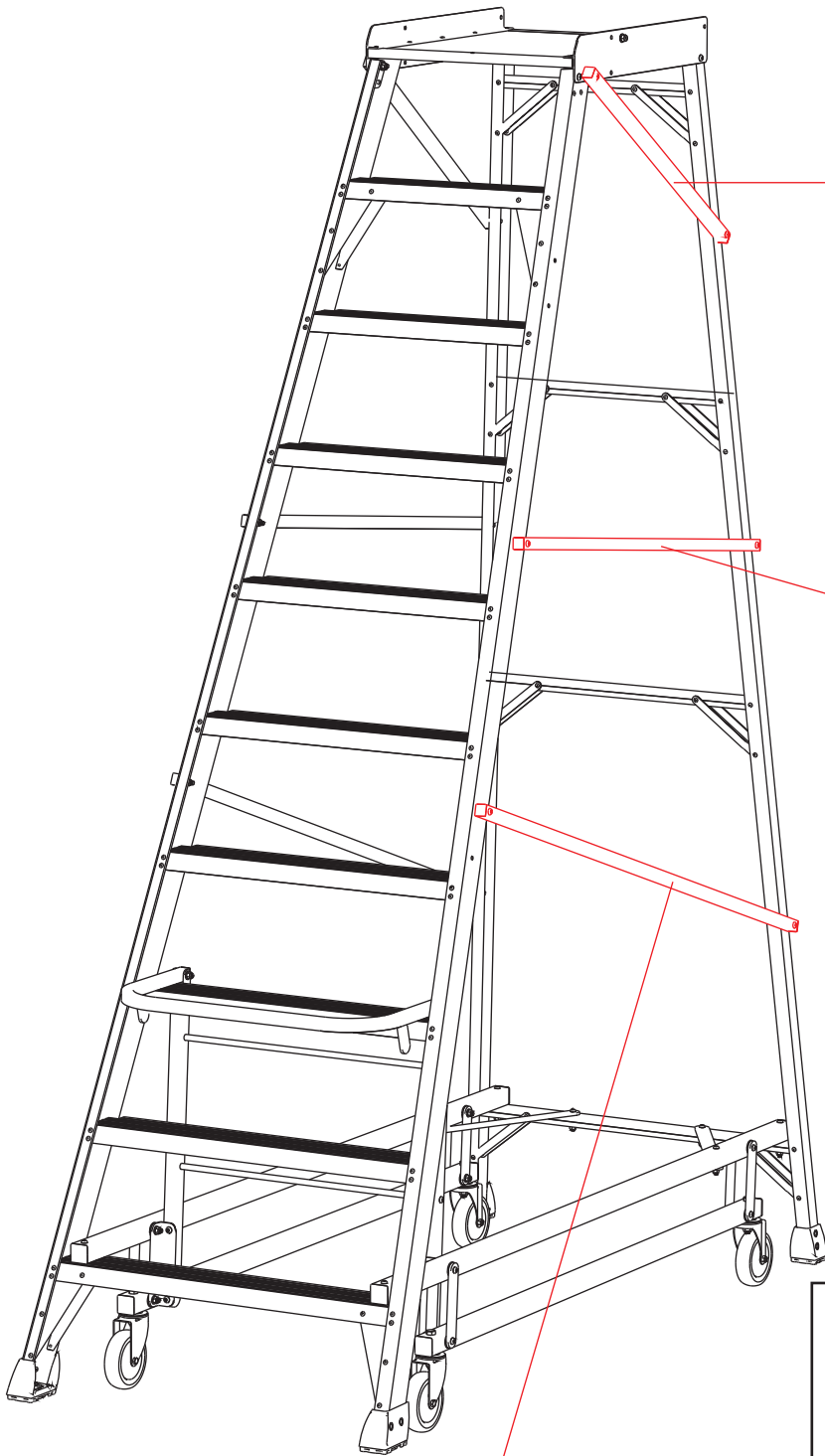
M8\*45 Screws\*2



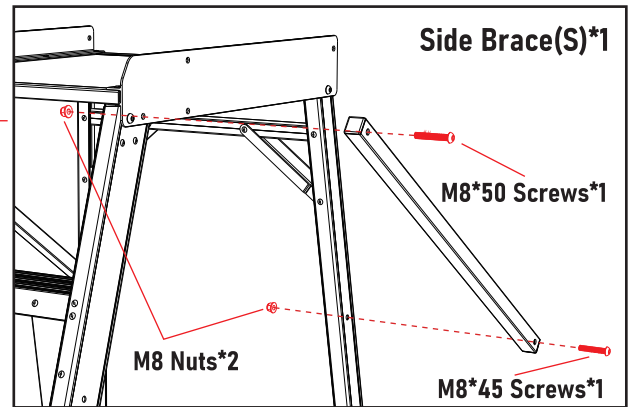
M8 Nuts\*2

# 3 PRODUCT INSTALLATION

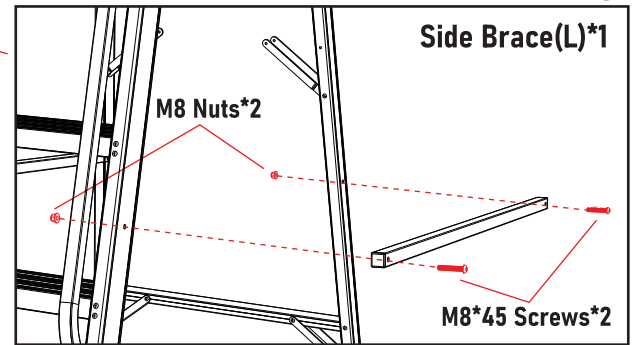
## Installation steps 4- Assemble slant support on both sides of the ladder



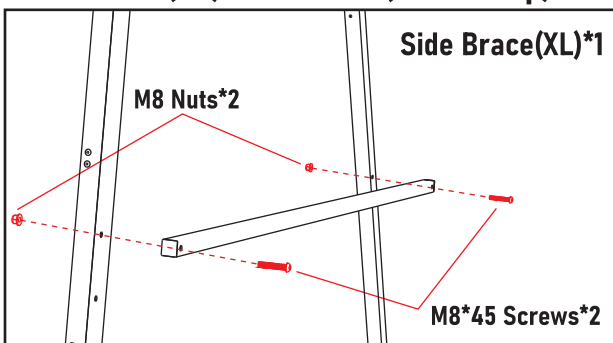
### Side Brace(S) Assemble



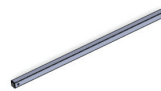
### Side Brace(L) Assemble (8-14 Step)



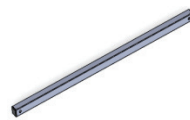
### Side Brace(XL) Assemble (10-14 Step)



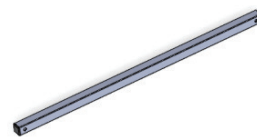
### Parts List



Side Brace(S)\*2



Side Brace(L)\*2



Side Brace(XL)\*2



M8\*45 Screws\*2(3-7 Step)  
M8\*45 Screws\*6(8 Step)  
M8\*45 Screws\*10(10-14 Step)



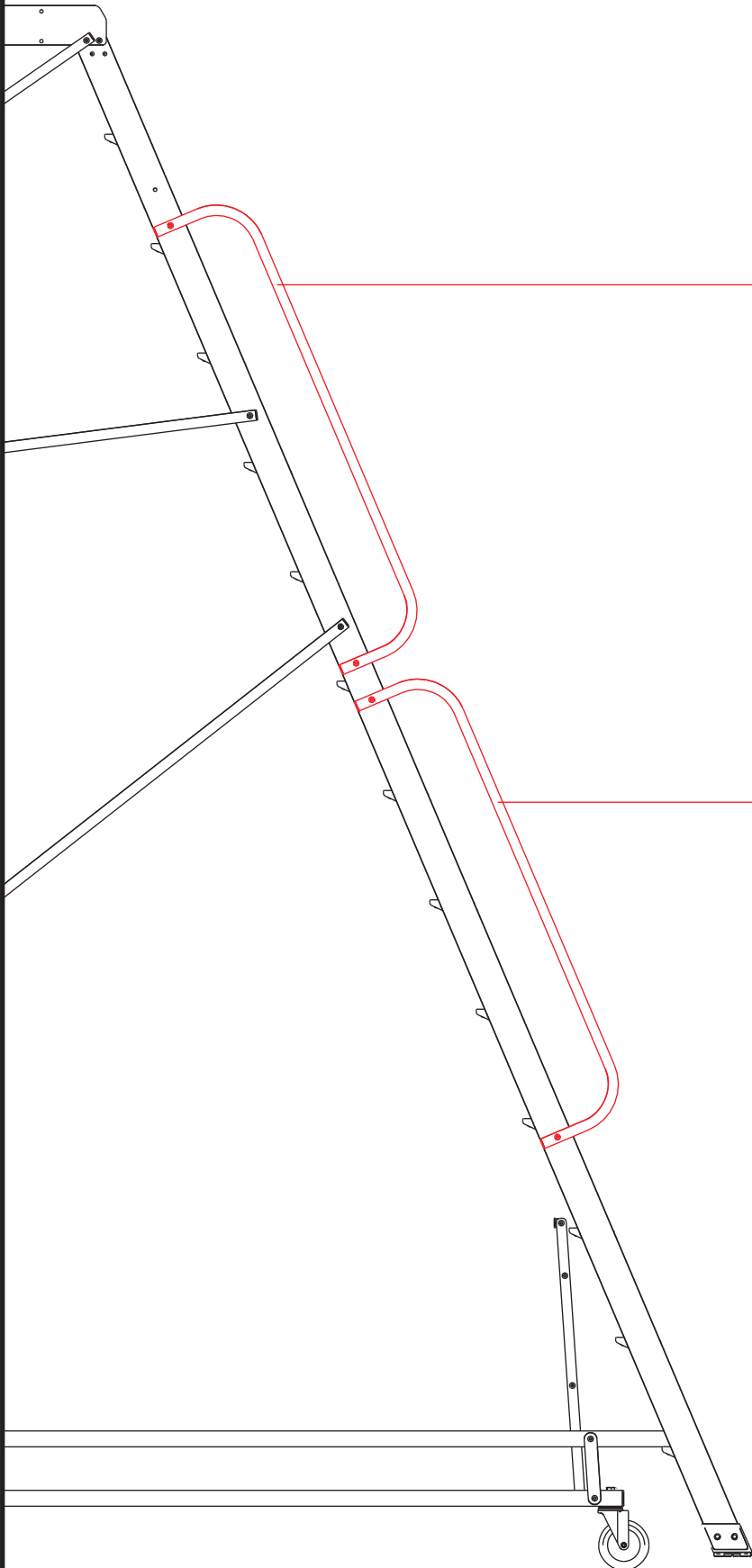
M8\*50 Screws\*2



M8 Nuts\*4(3-7 Step)  
M8 Nuts\*8(8 Step)  
M8 Nuts\*12(10-14 Step)

# 3 PRODUCT INSTALLATION

## Installation steps 5- Assemble the handrails on both sides of the ladder(8-14 Step)

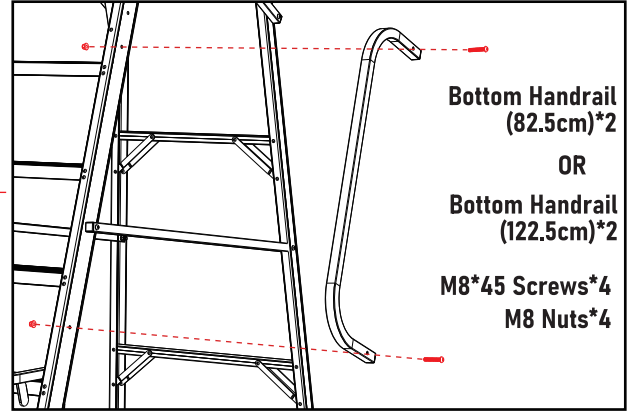


(8 Step&12 Step)

Bottom Handrail Assemble(82.5cm)\*2

(10 Step&14 Step)

Bottom Handrail Assemble(122.5cm)\*2

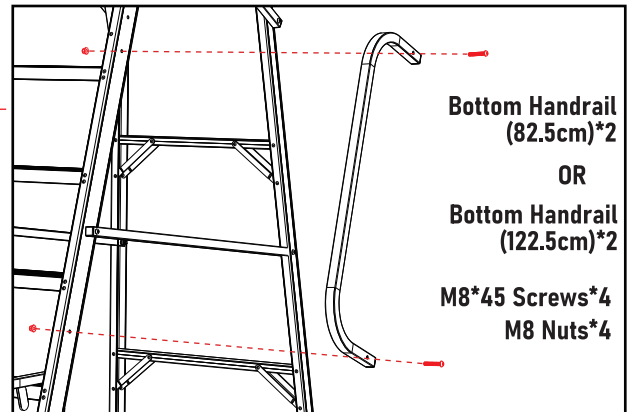


(12 Step)

Bottom Handrail Assemble(82.5cm)\*2

(14 Step)

Bottom Handrail Assemble(122.5cm)\*2



### Parts List



Length: 82.5cm

Bottom Handrail\*2 (8 Step)

Bottom Handrail\*4 (12 Step)



(8-10 Step)  
M8\*45 Screws\*4

(12-14 Step)  
M8\*45 Screws\*8



Length: 122.5cm

Bottom Handrail\*2 (10 Step)

Bottom Handrail\*4 (14 Step)

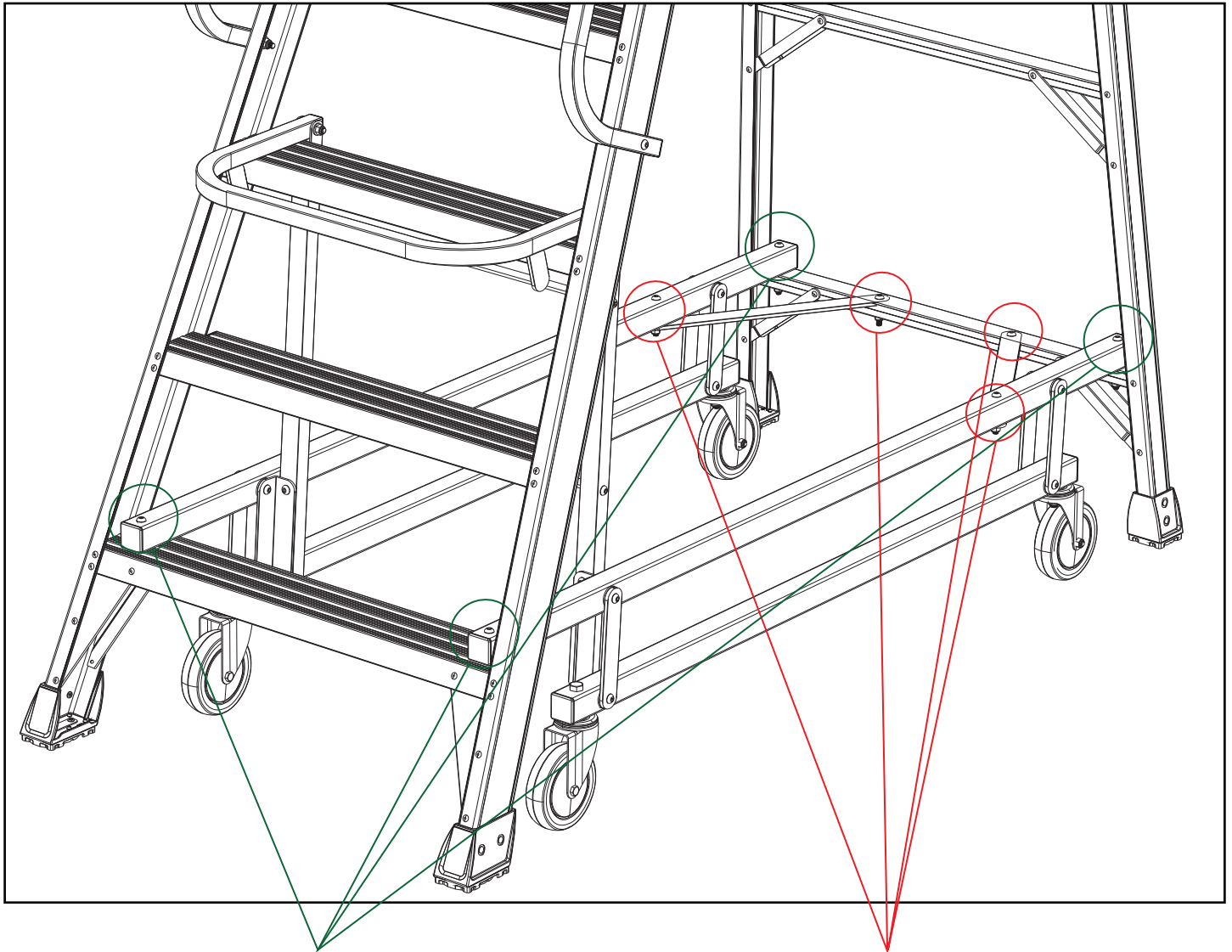


(8-10 Step)  
M8 Nuts\*4

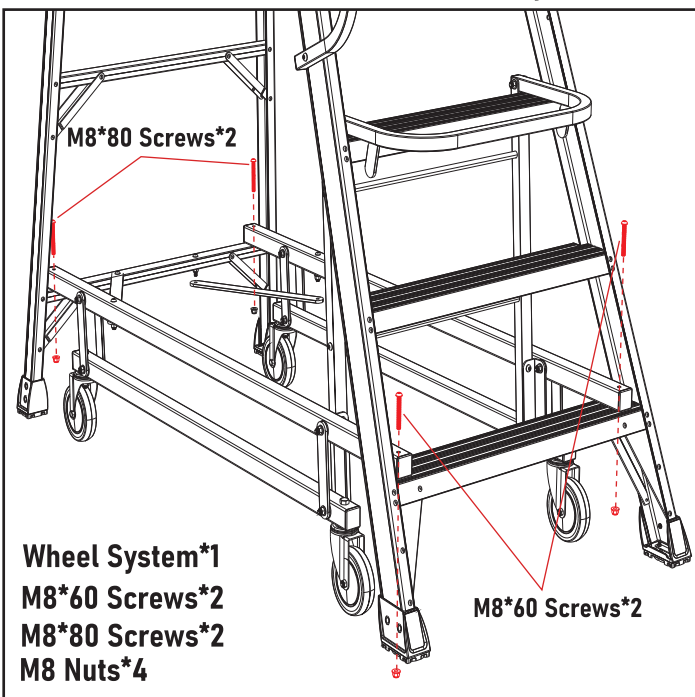
(12-14 Step)  
M8 Nuts\*8

# 3 PRODUCT INSTALLATION

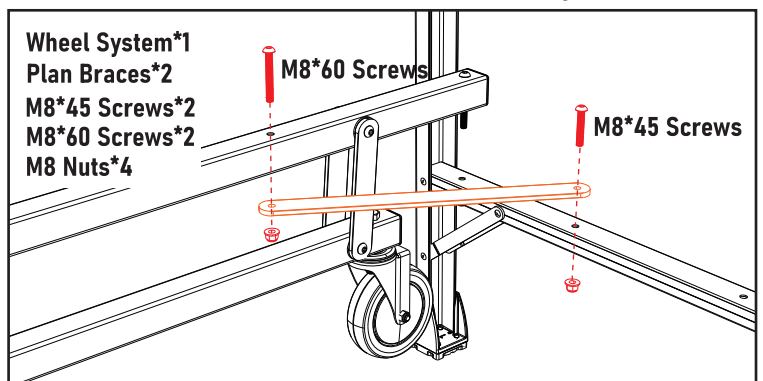
## Installation steps 6- Assemble LHS and RHS wheel systems



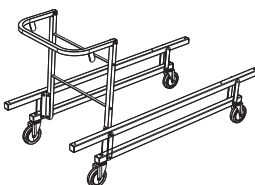
Assemble LHS and RHS wheel systems



Assemble LHS and RHS wheel systems

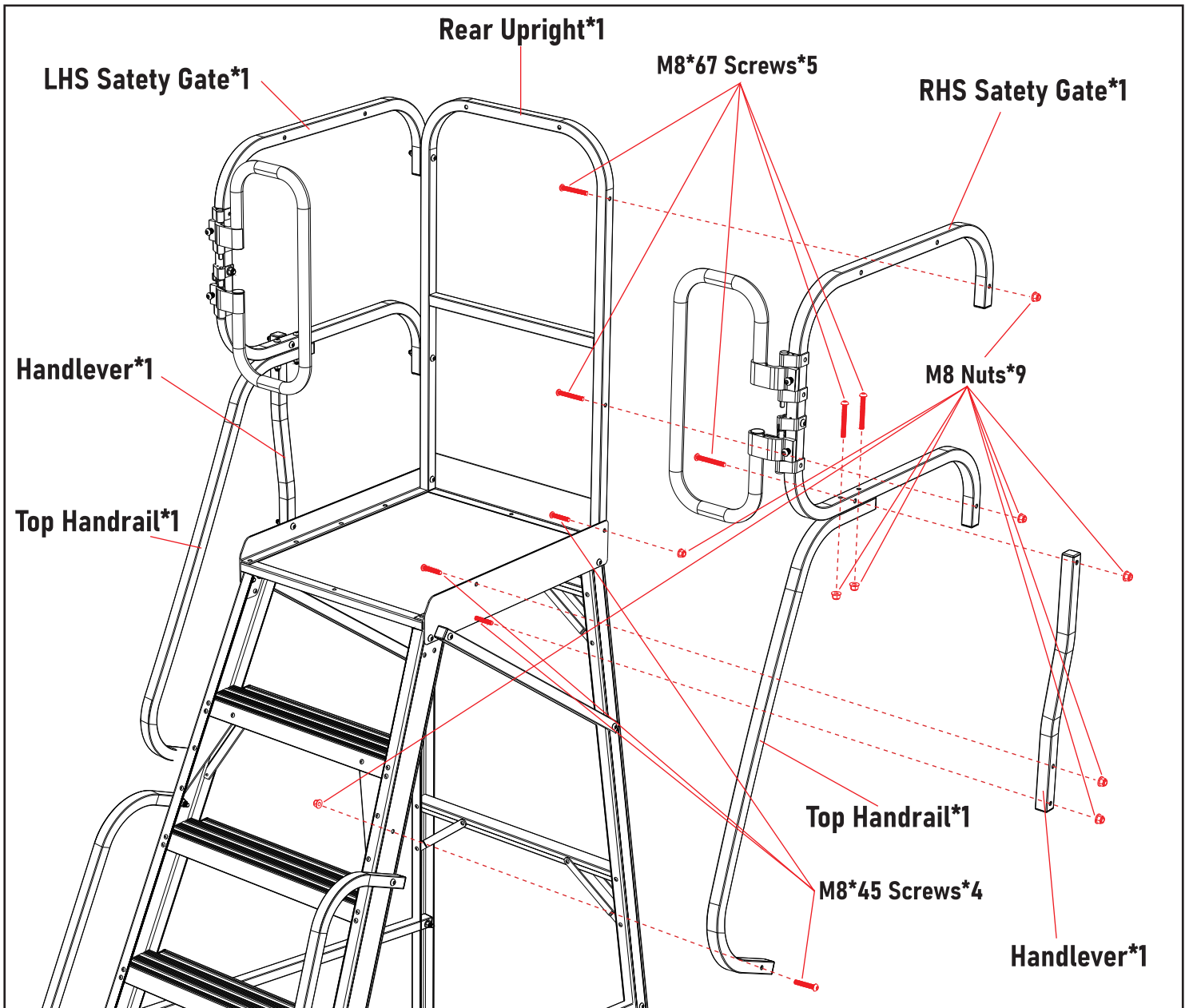


### Parts List

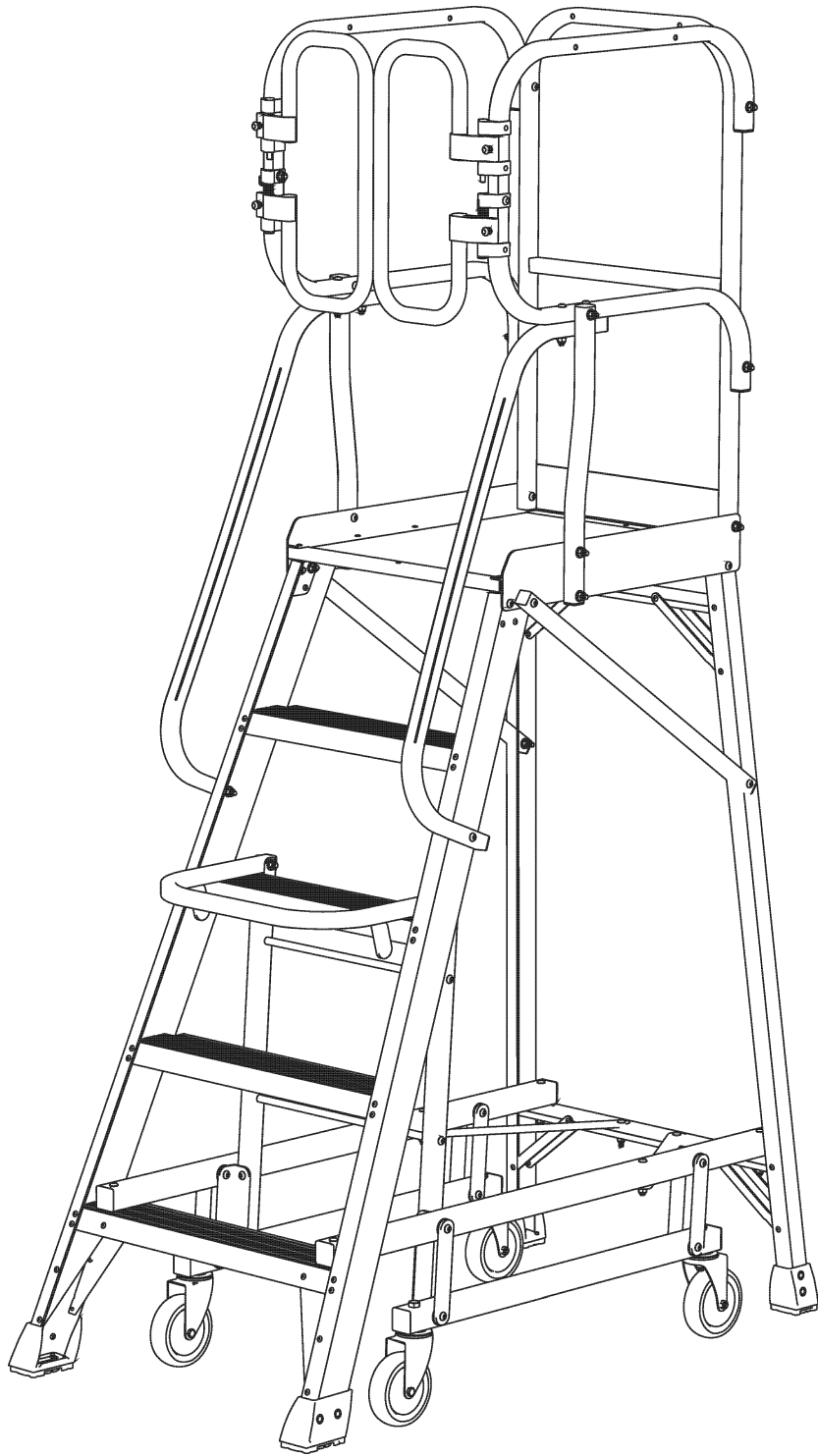


# 3 PRODUCT INSTALLATION

## Installation steps 7- Assemble the upper parts to platform



				Parts List
<p>Upper installation completed</p>	<p>LHS Safety Gate*1</p>	<p>Top Handrail*2</p>	<p>Rear Upright*1</p>	<p>M8*45 Screws*8</p>
	<p>RHS Safety Gate*1</p>	<p>Handlever*2</p>	<p>M8 Nuts*18</p>	<p>M8*67 Screws*10</p>



SET UP TO SAFETY AND PERFORMANCE