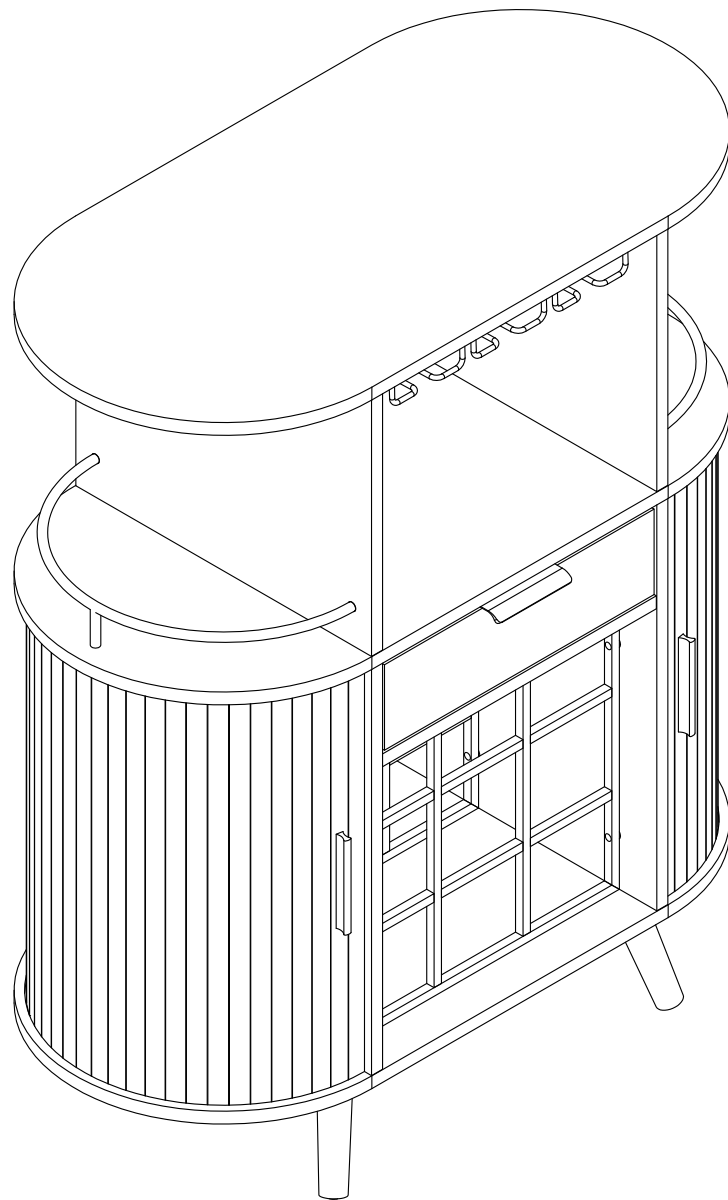
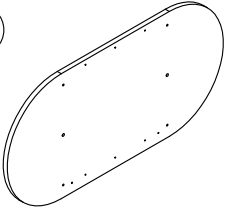
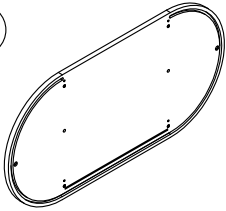
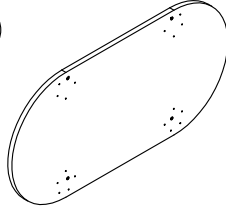
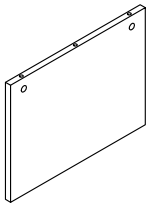
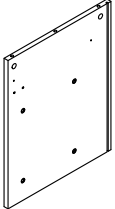
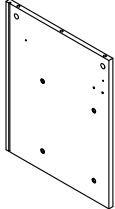
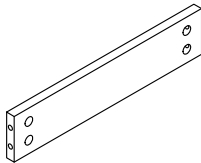
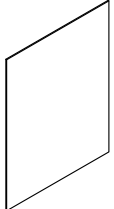
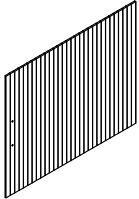
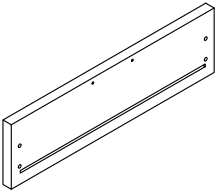
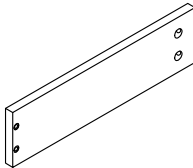
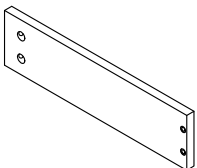
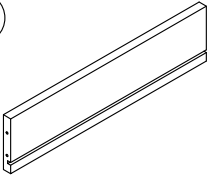
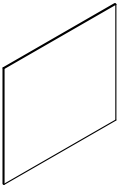

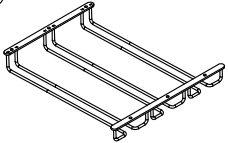
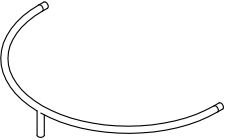
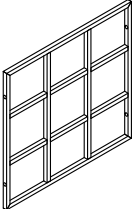








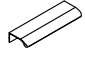










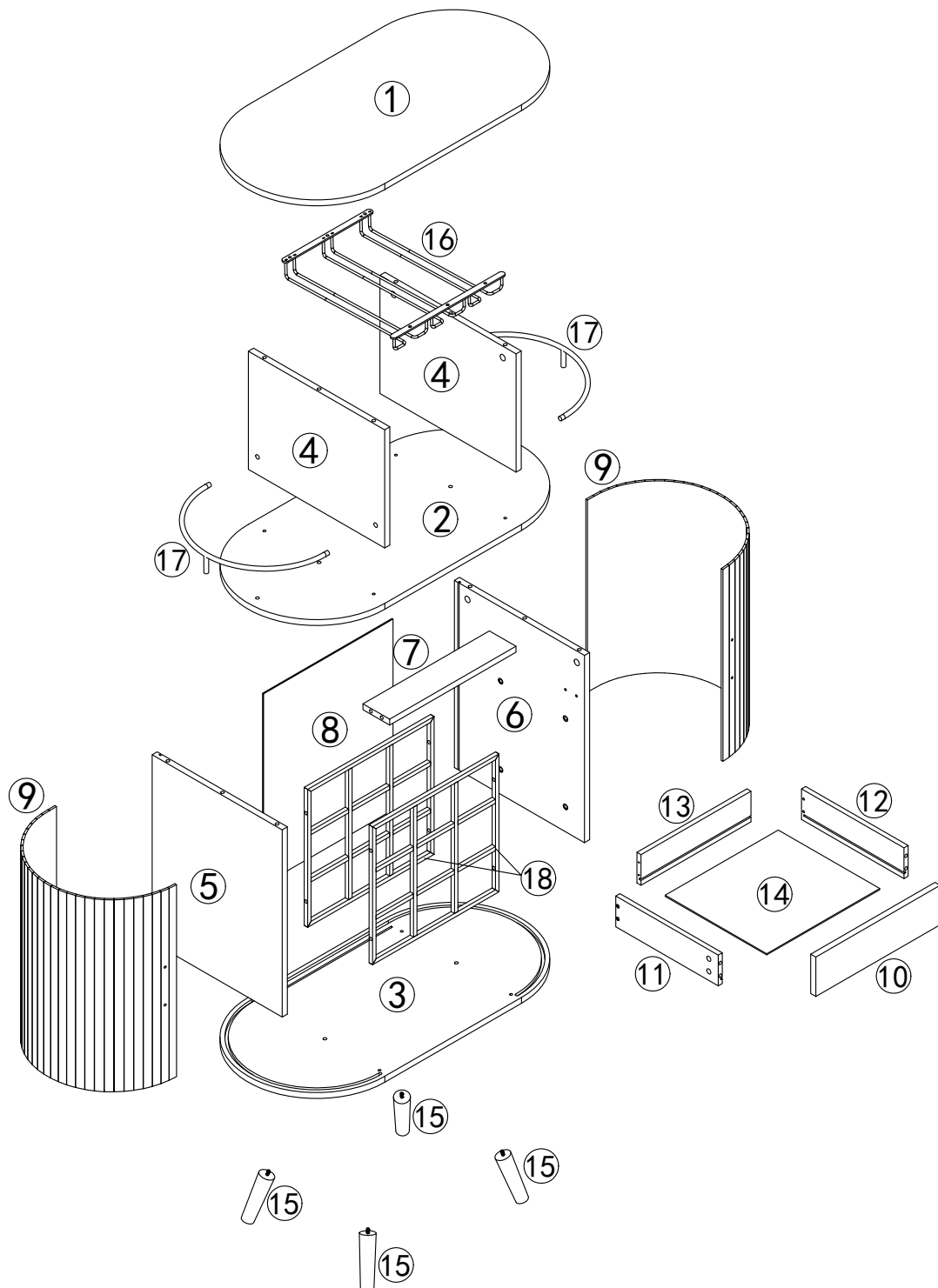


# Assembly Instruction

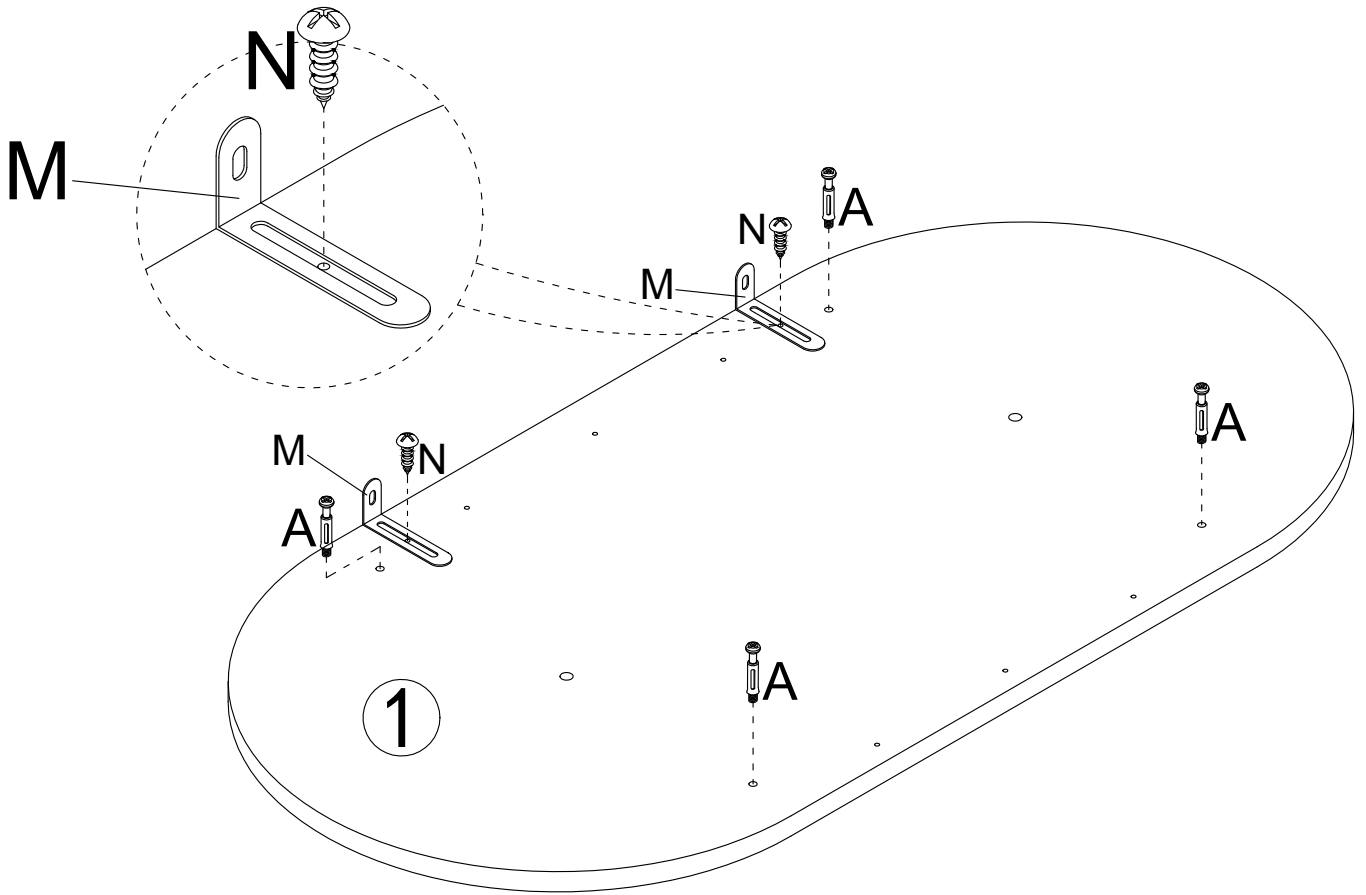


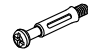
			
1PC	1PC	1PC	2PCS
			
1PC	1PC	1PC	1PC
			
2PCS	1PC	1PC	1PC
			
1PC	1PC	4PCS	1PC
			
2PCS	2PCS		


<b>A</b>	X16	<b>B</b>	X12	<b>C</b>	X32	<b>D</b>	X4	<b>E</b>	X1	<b>F</b>	X8	<b>G</b>	X8	<b>H</b>	X8
															
M6x35mm		Ø15x9mm		M3.5x14mm		M3x16mm		4mm		M5x40mm		Ø8x30mm		M6x20mm	
<b>I</b>	X1	<b>J</b>	X6	<b>K</b>	X2	<b>M</b>	X2	<b>N</b>	X8	<b>O</b>	X4	<b>P</b>	X4	<b>Q</b>	X4
															
		M4x35mm		Ø6x30mm				M4x14mm						M4x8mm	
<b>S</b>	X2	<b>T</b>	X4	<b>U</b>	X2										
															
		Ø12x9mm		M6x28mm											




1

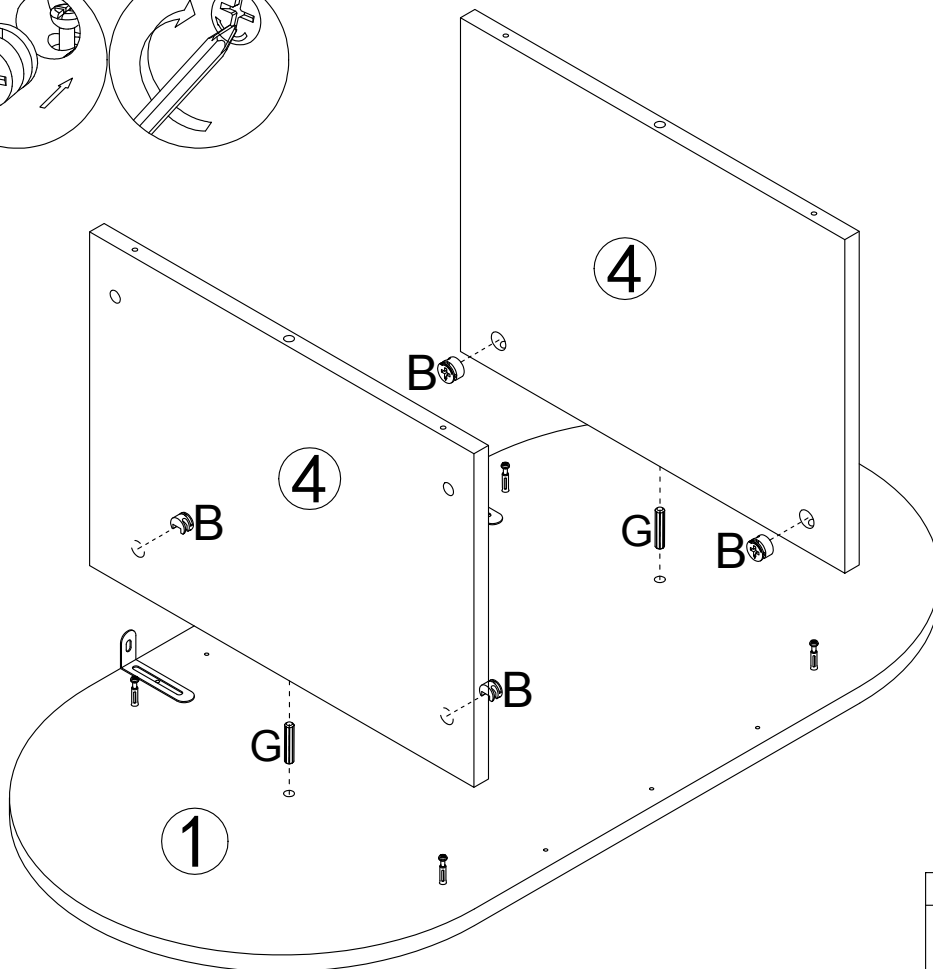
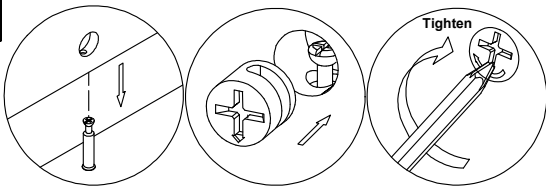



A	X4
	
M6x35mm	


M	X2
	

N	X2
	
M4x14mm	

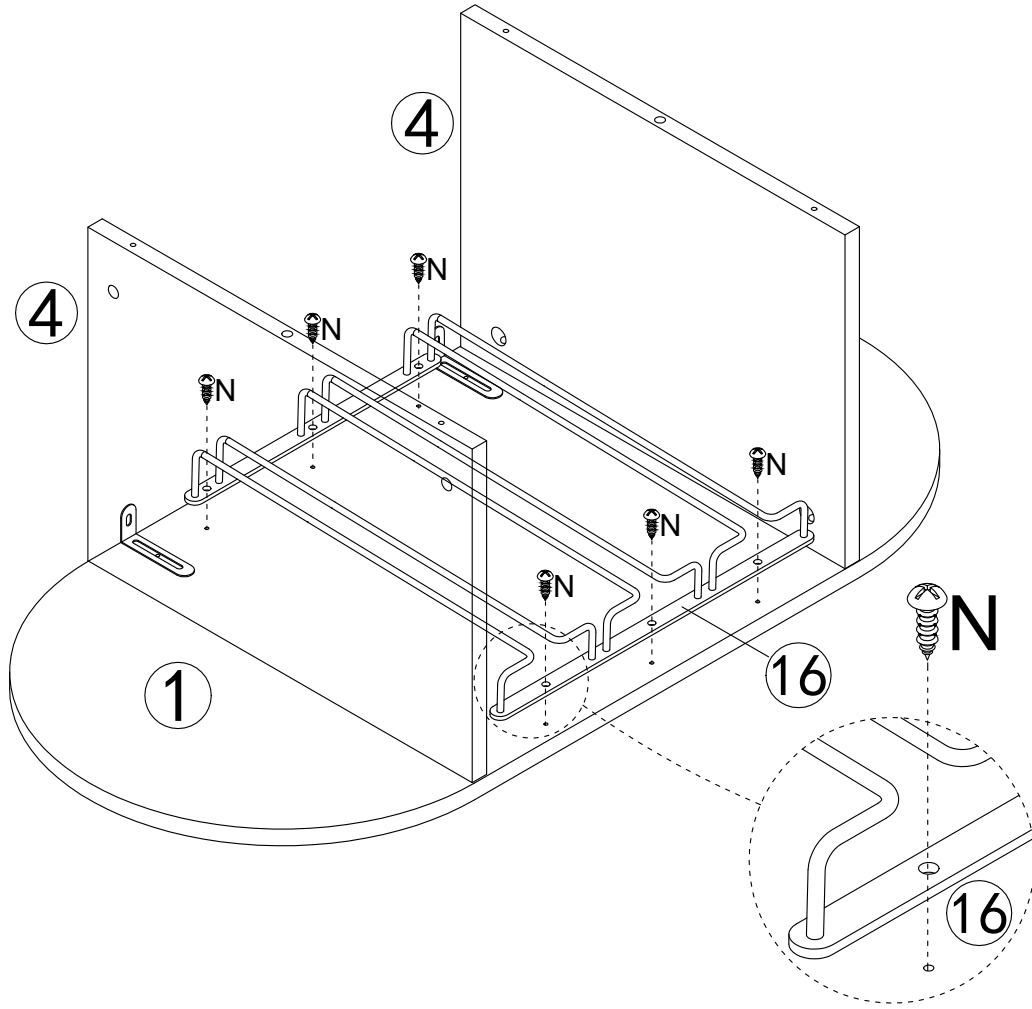
2




G	X2
	
Ø8x30mm	

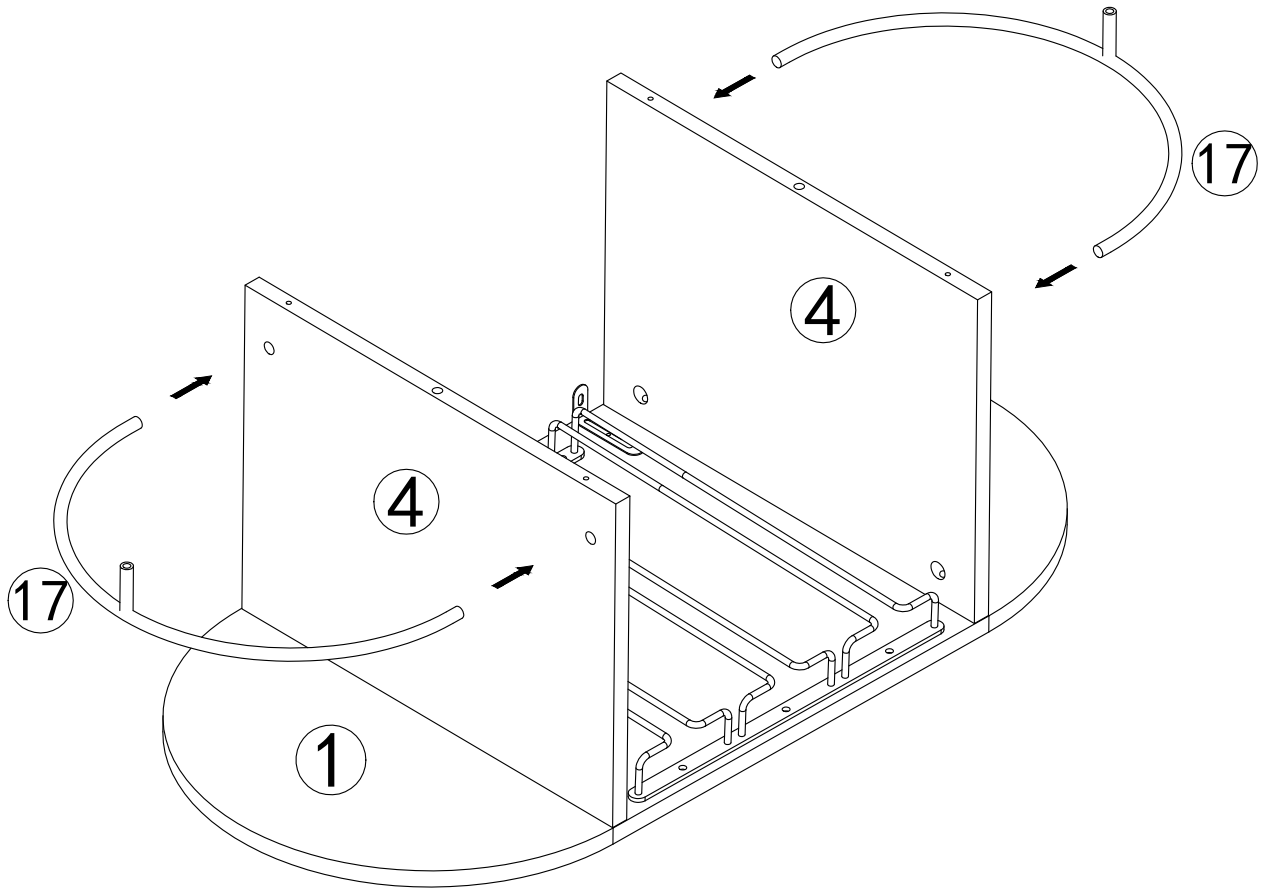
B	X4
	
Ø15x9mm	

3

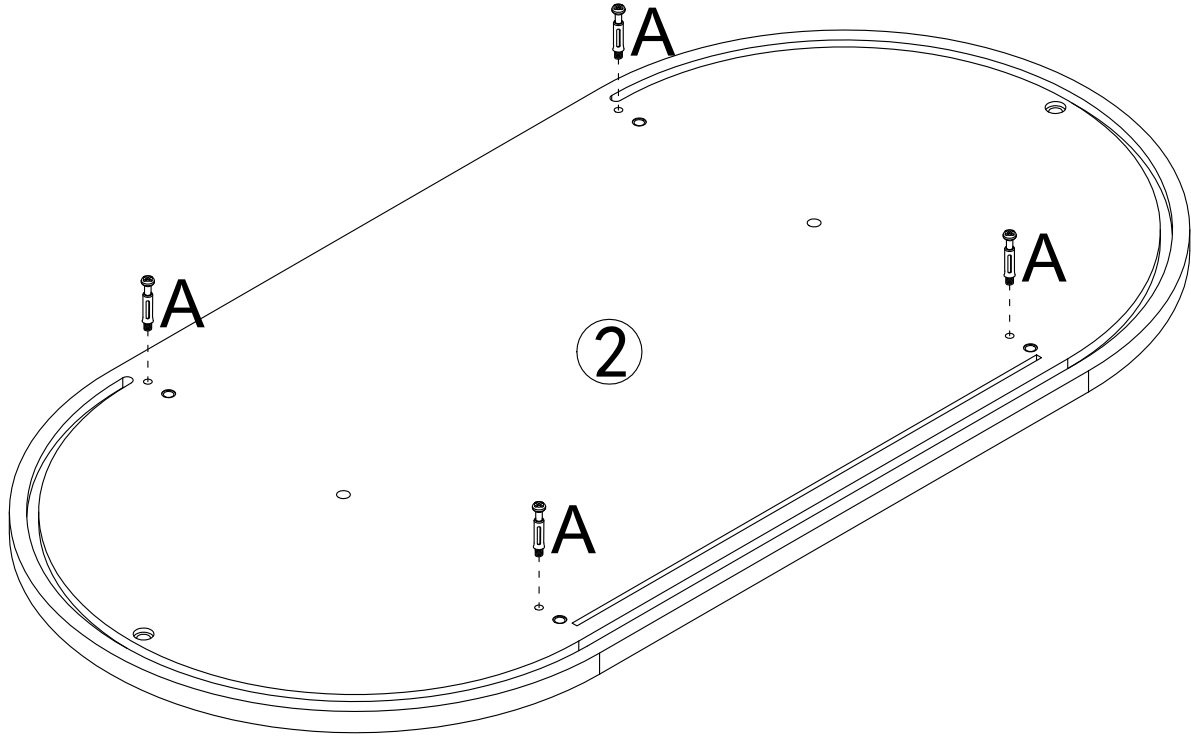



N	X6
	
M4x14mm	

4

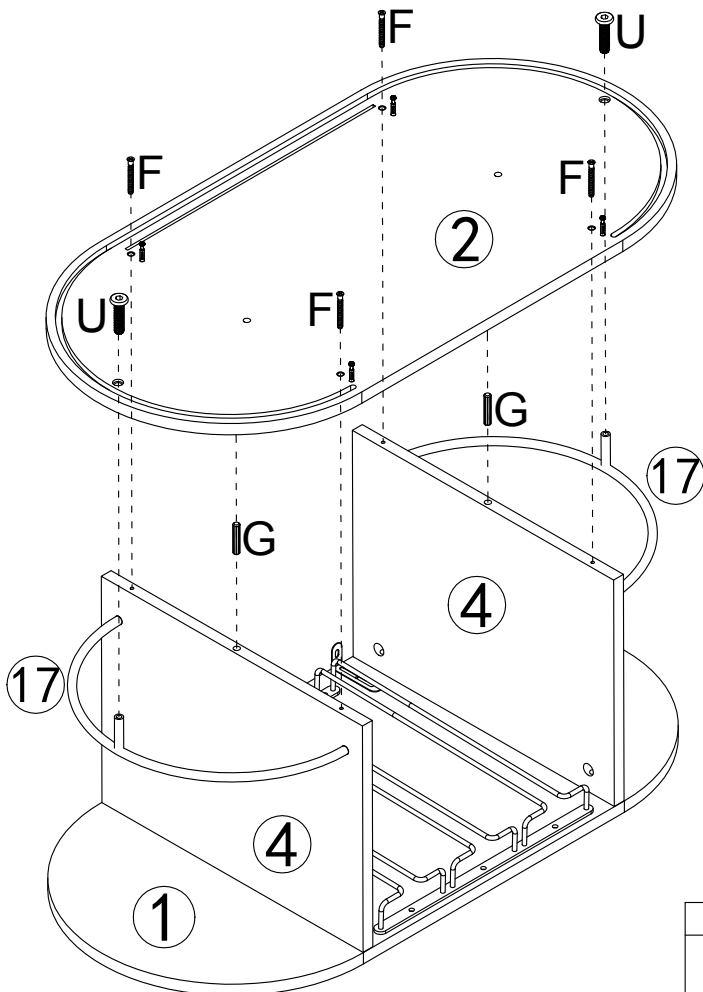



5





A	x4
	
M6x35mm	

6

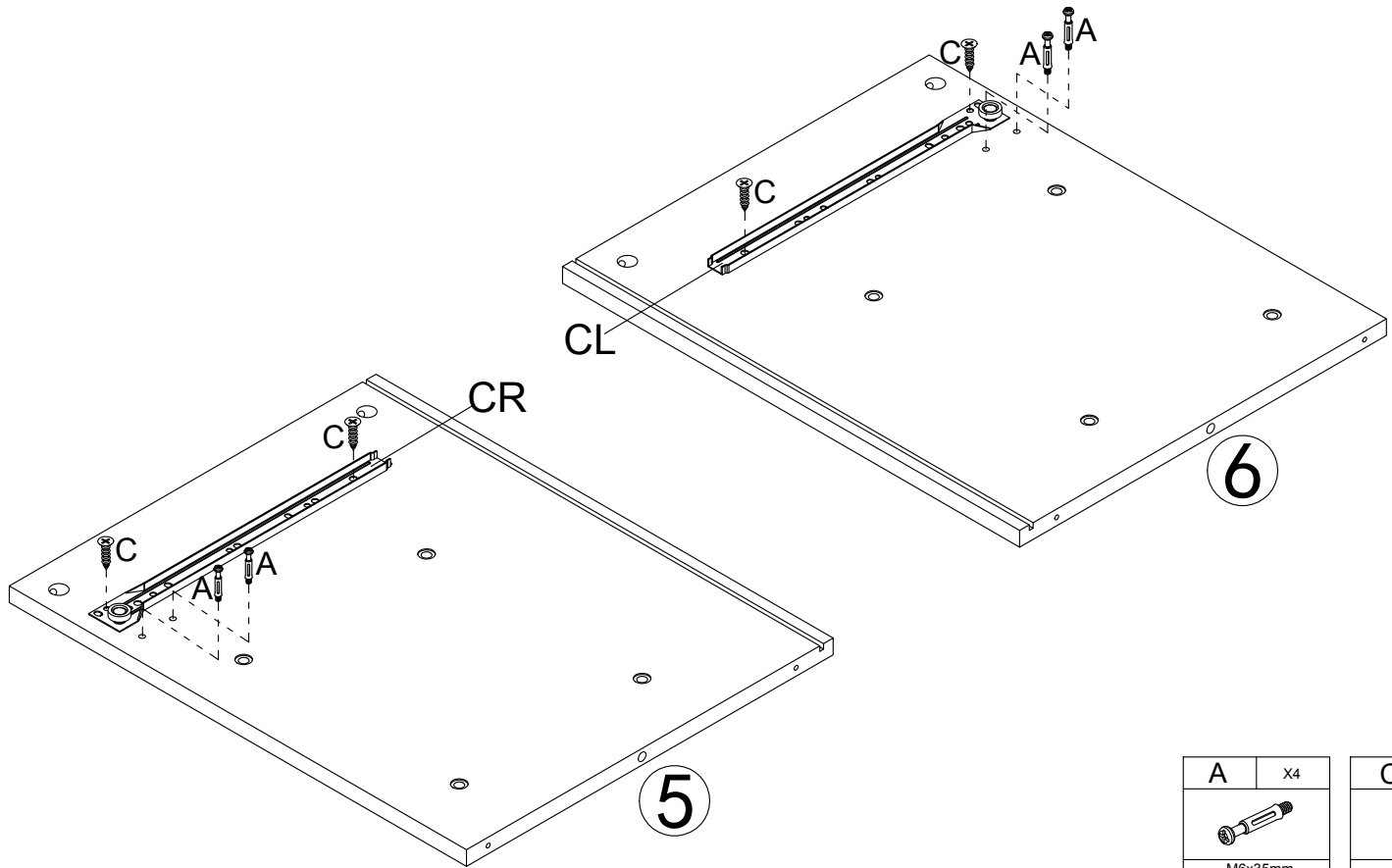
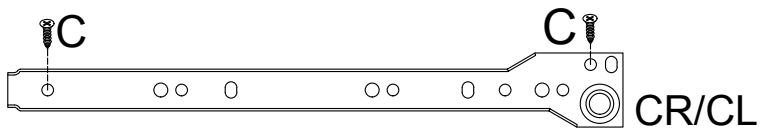


U	x2
	
M6x28mm	

G	x2
	
Ø8x30mm	

F	x4
	
M5x40mm	

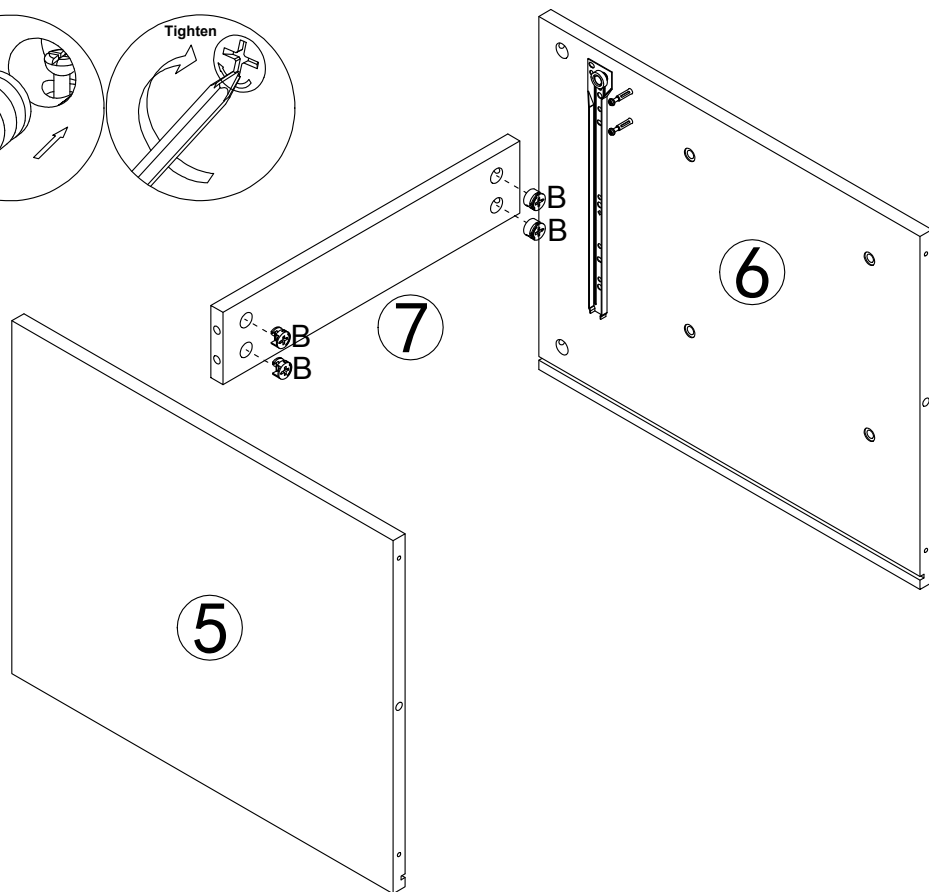
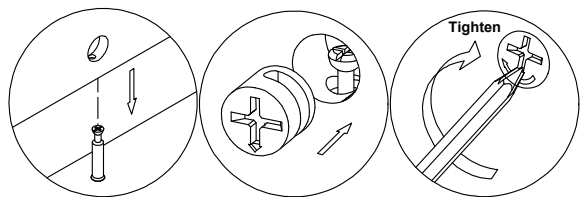
7



A	x4
M6x35mm	

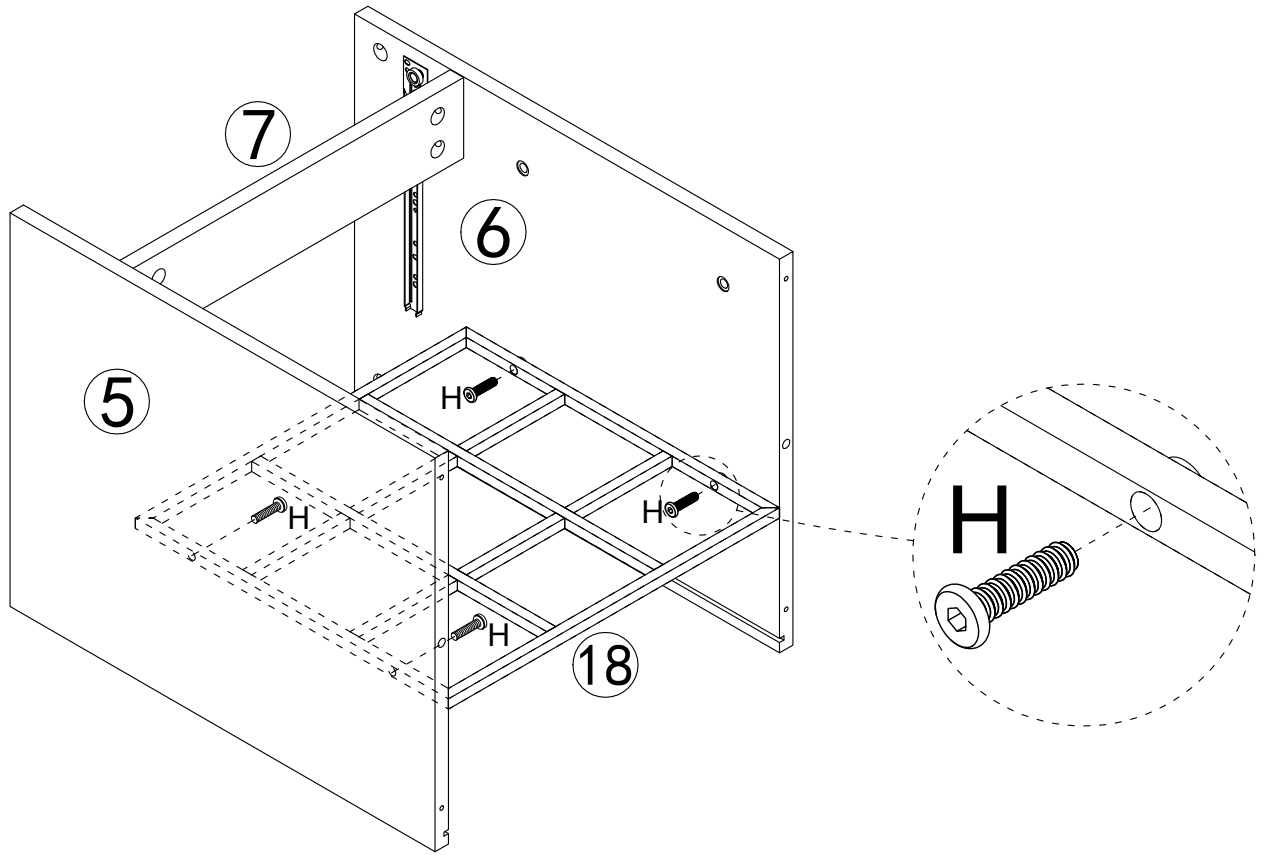
C	x4
M3.5x14mm	


8



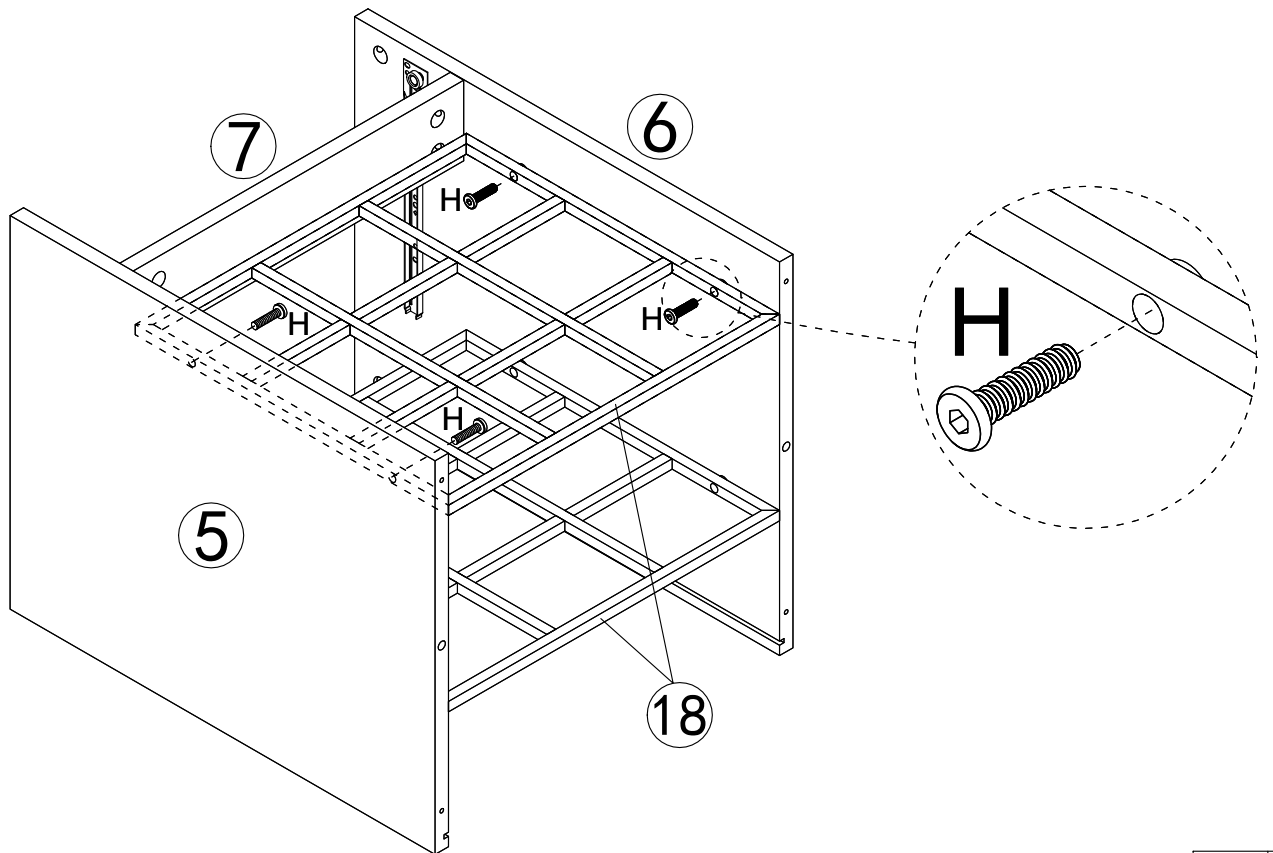
B	x4
Ø15x9mm	


9



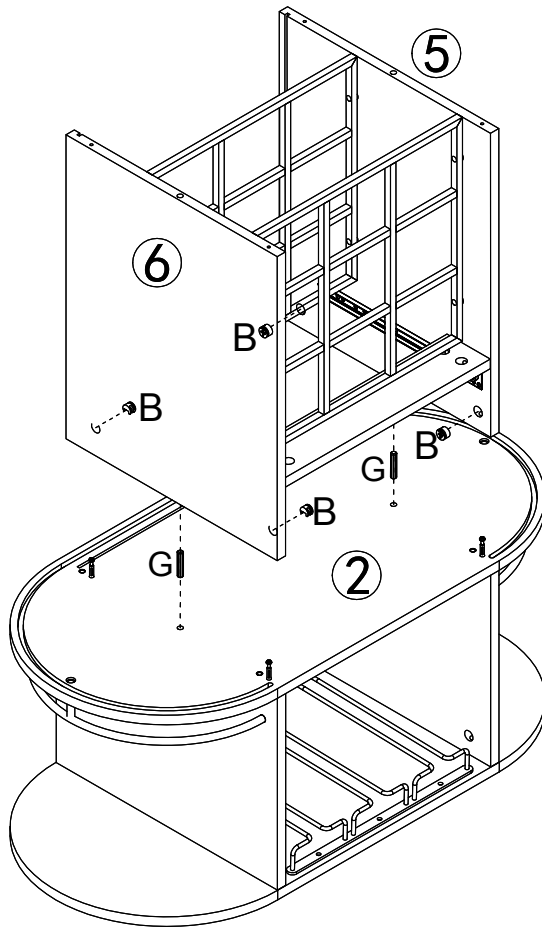
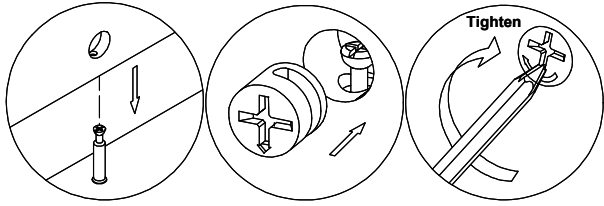
H	X4
	
M6x20mm	


10




H	X4
	
M6x20mm	

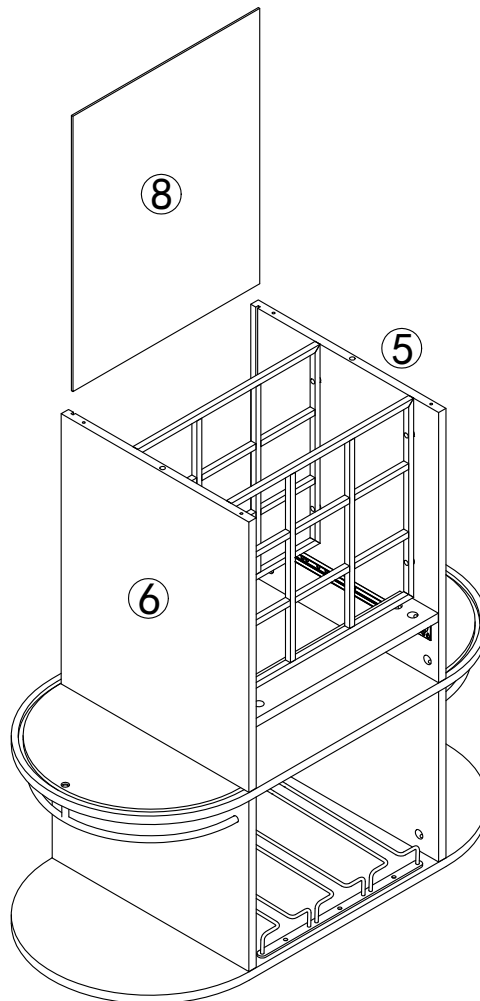
11



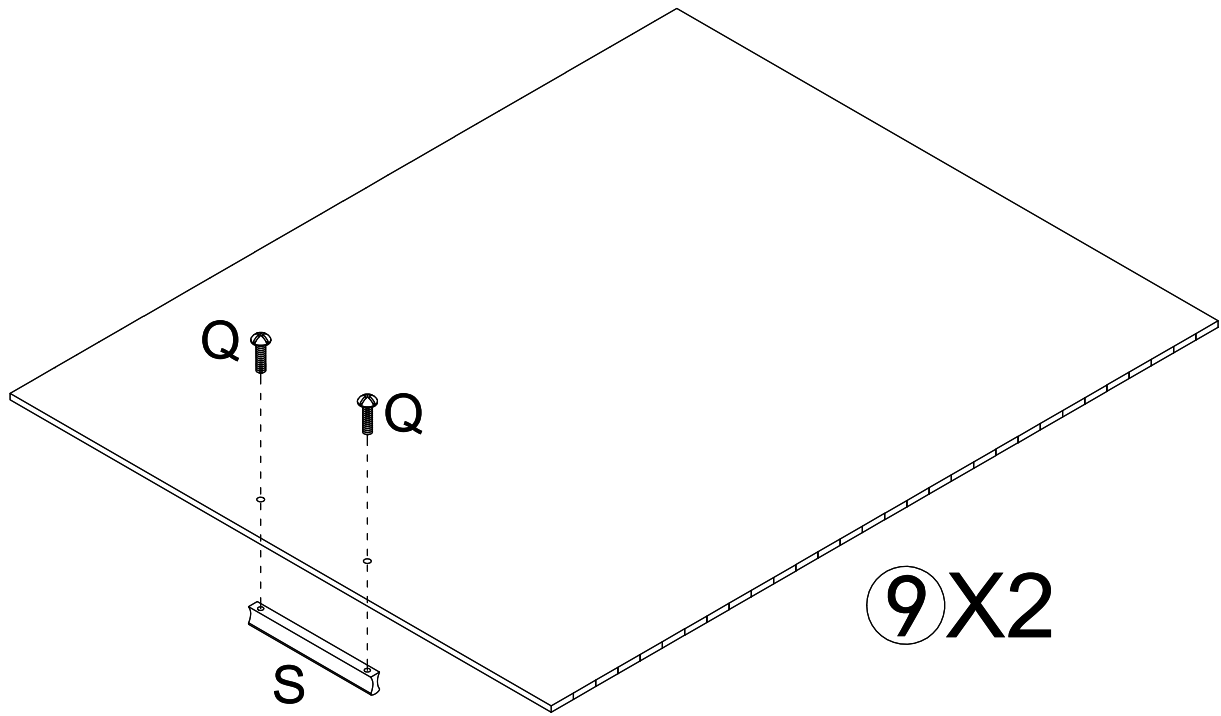
G	x2
	
Ø8x30mm	


B	x4
	
Ø15x9mm	


12



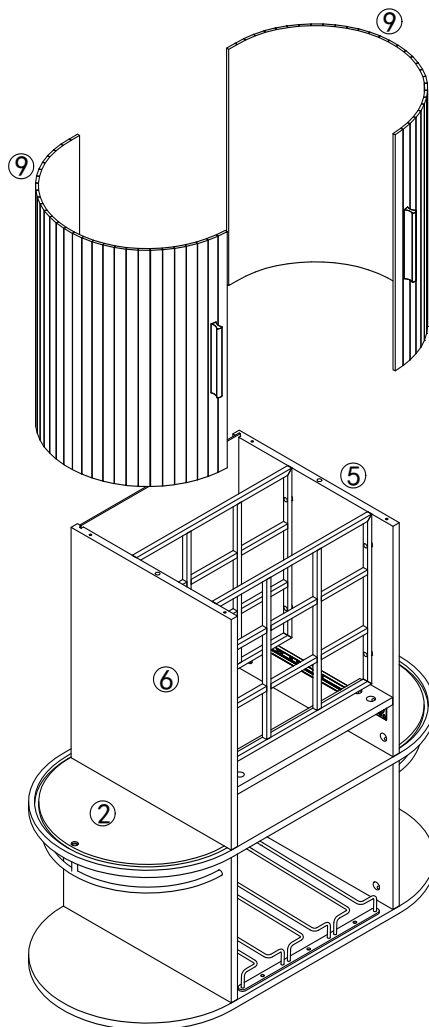
13



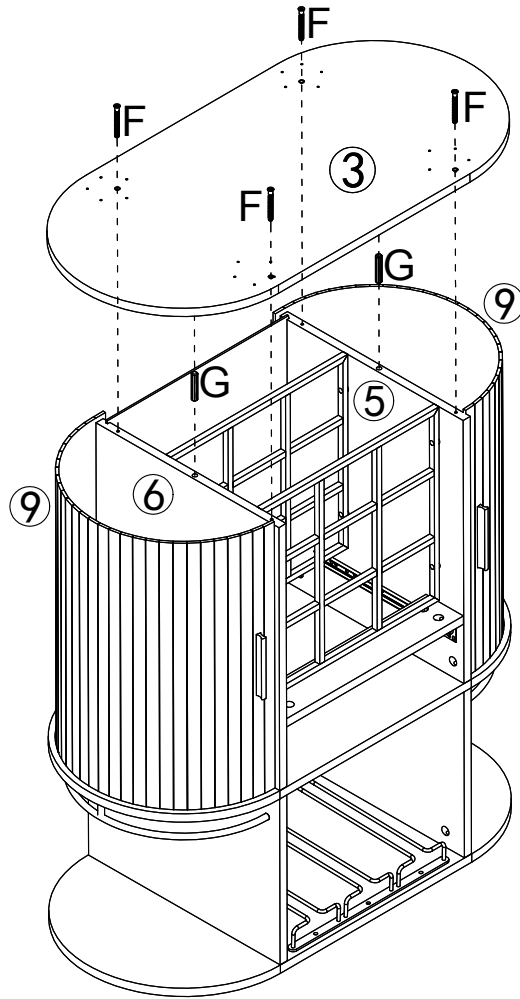
Q	x4
	
M4x8mm	


S	x2
	


14



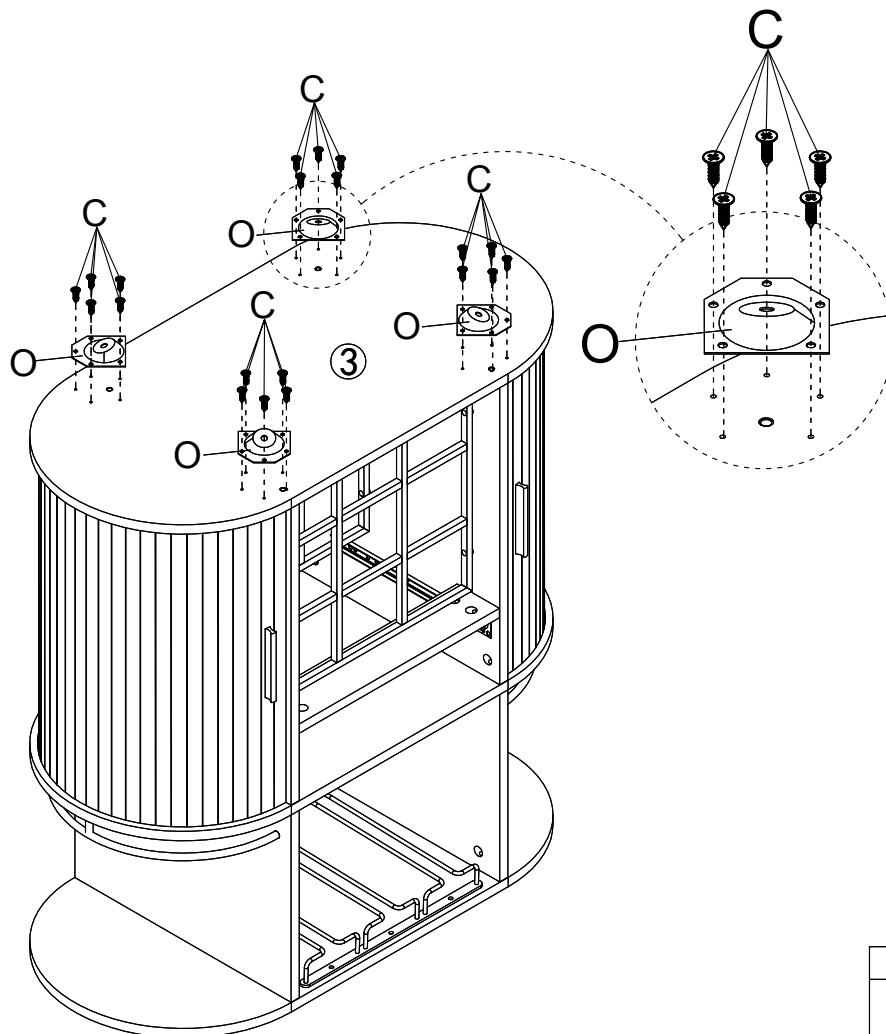
15





G	x2
	
Ø8x30mm	

F	x4
	
M5x40mm	

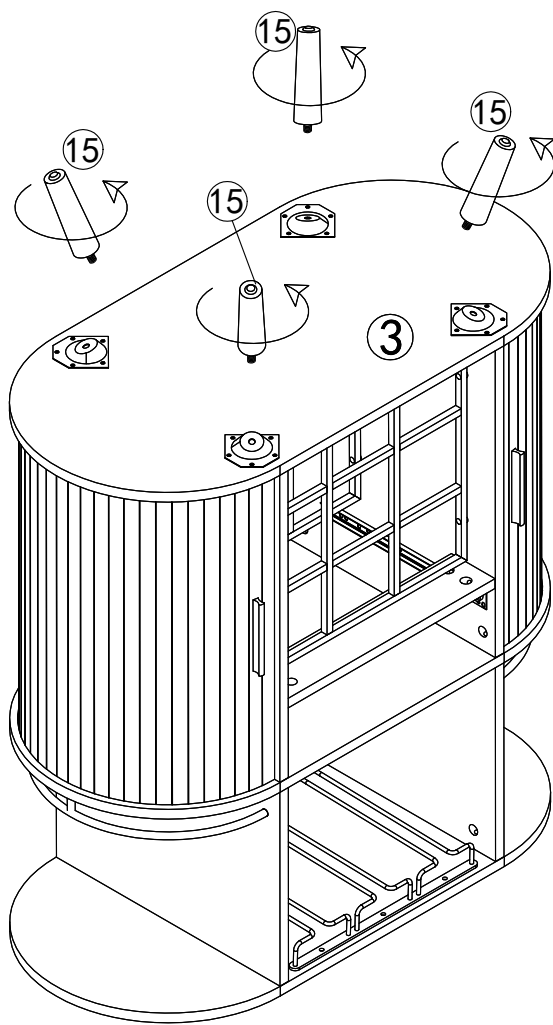
16



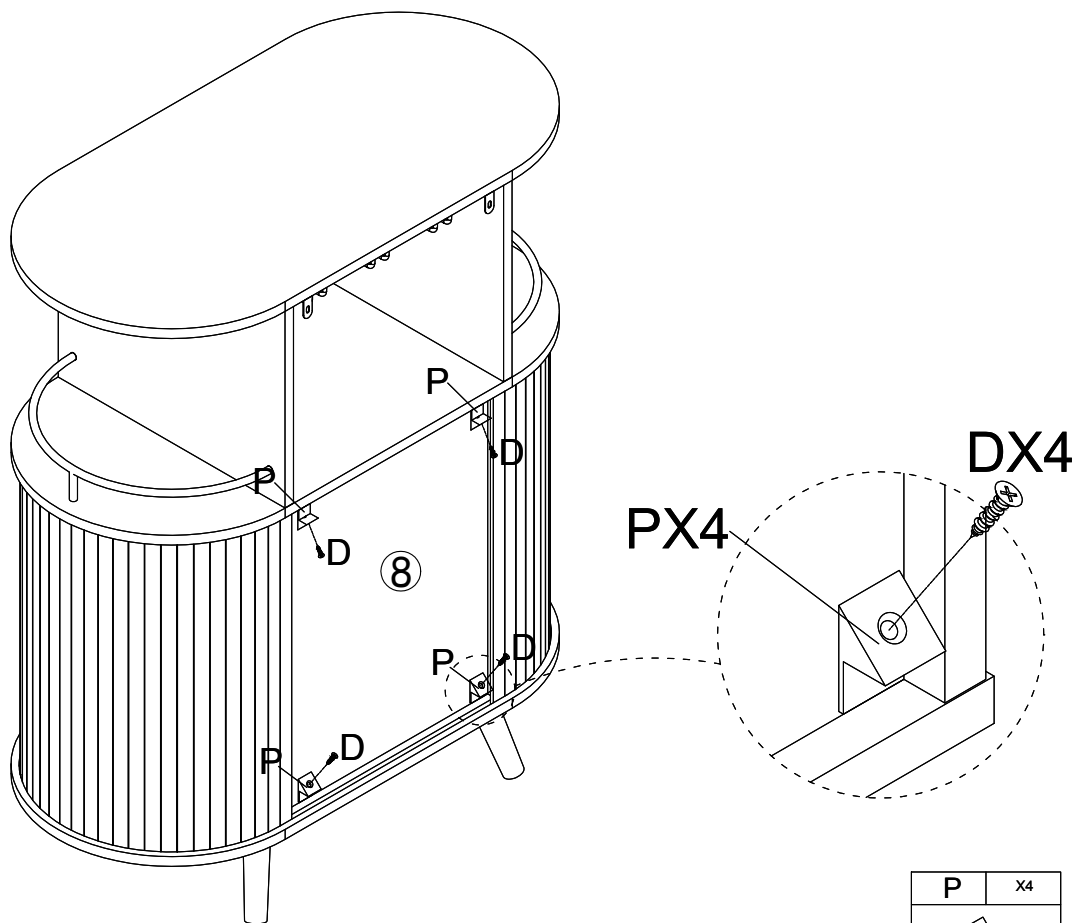
O	x4
	



C	x20
	
M3.5x14mm	

17

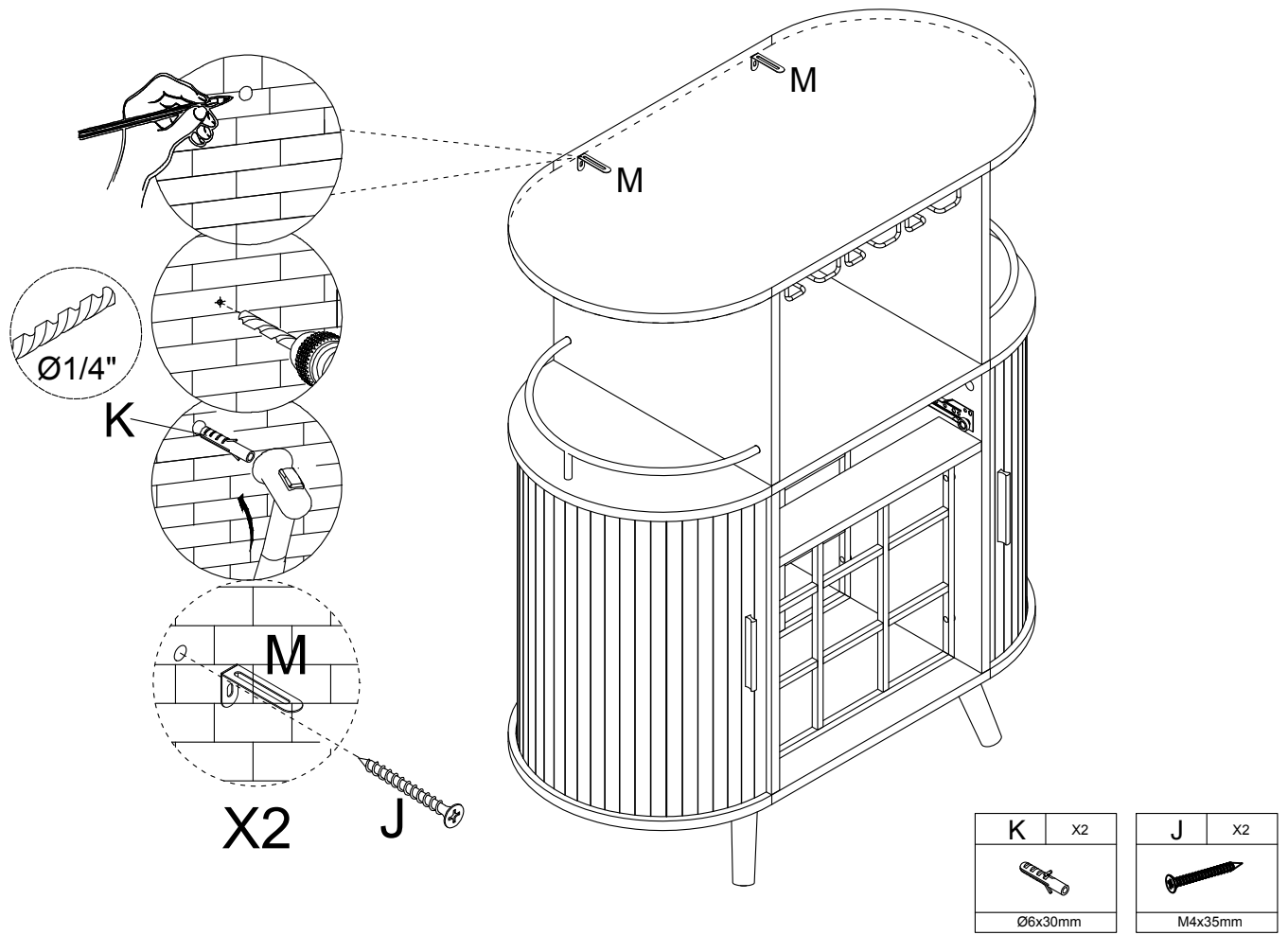


18

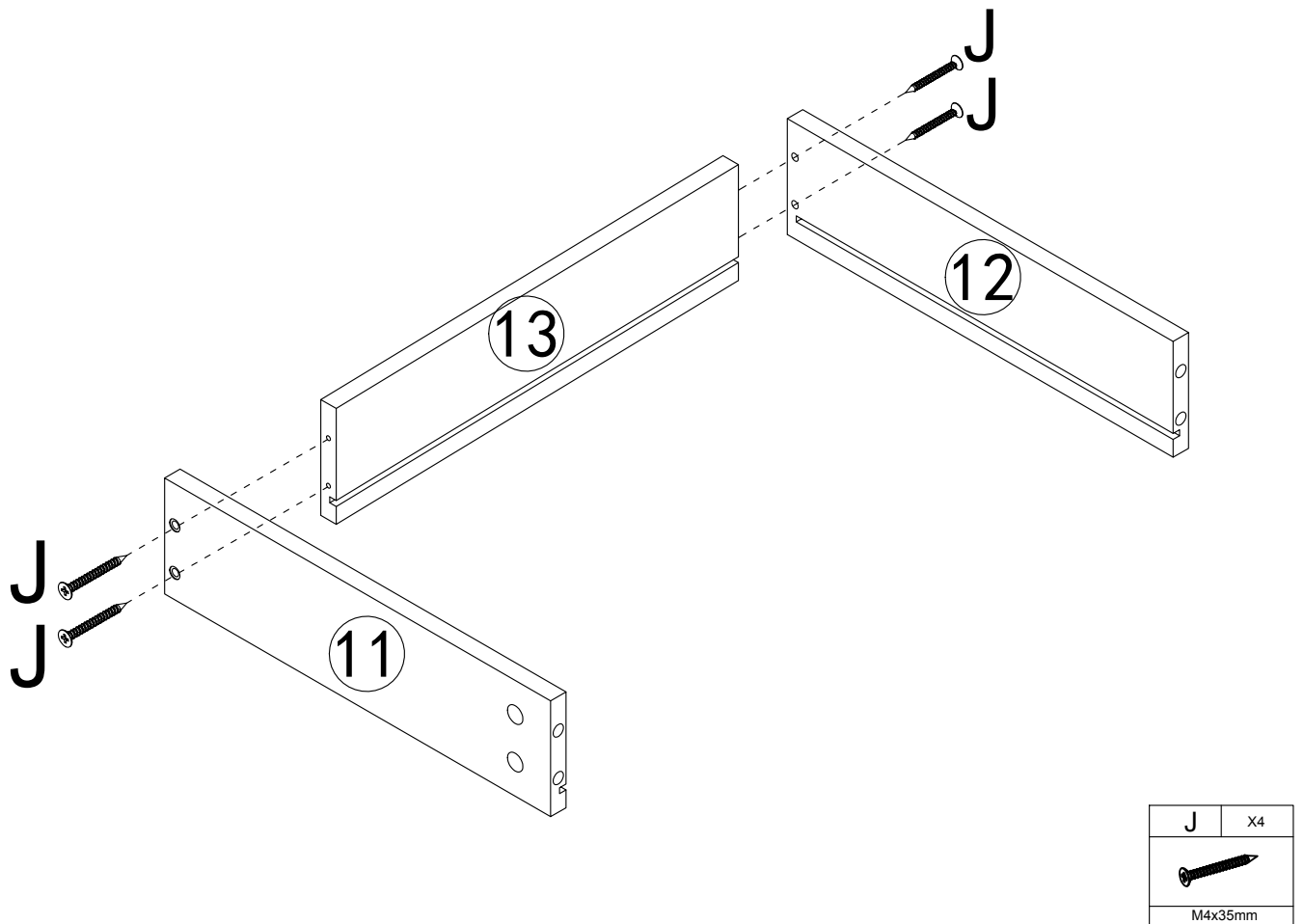


P	X4	D	X4
			
		M3x16mm	

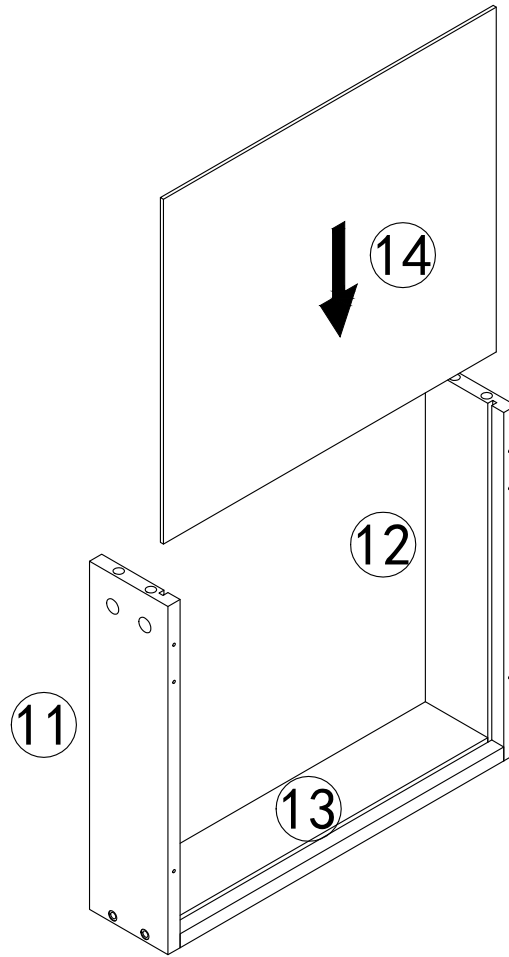
19



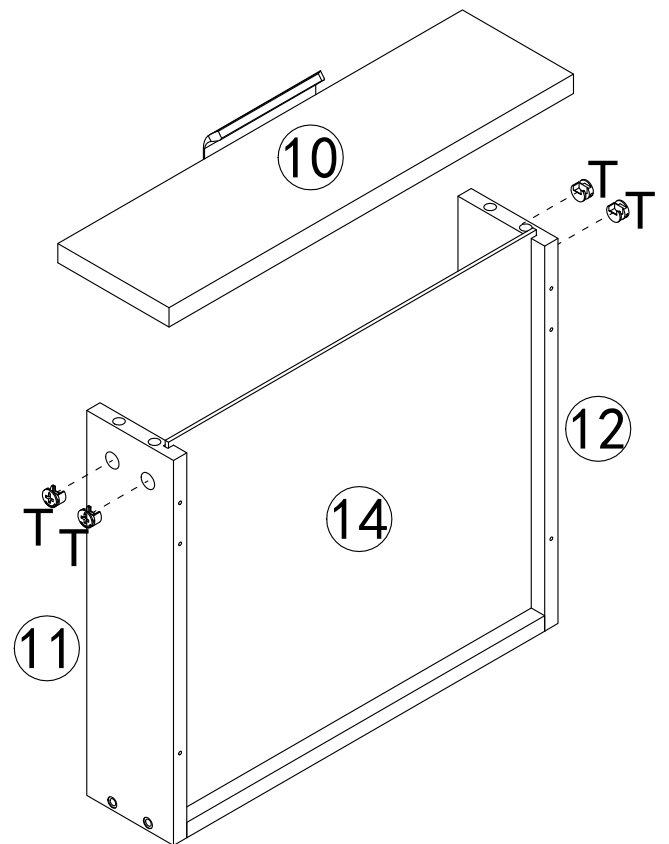
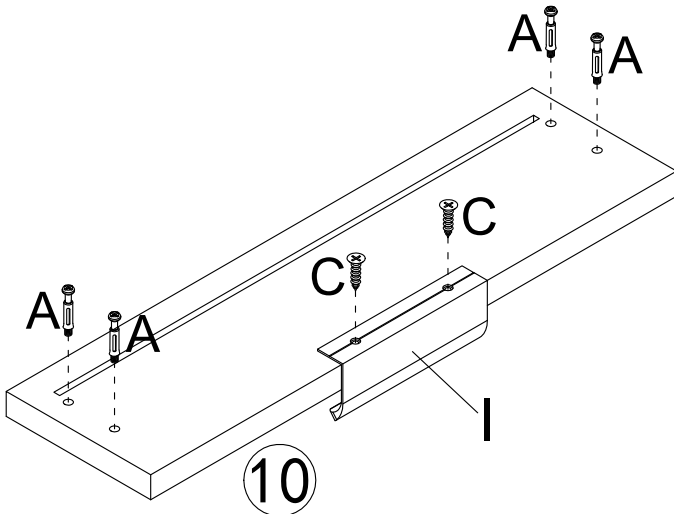
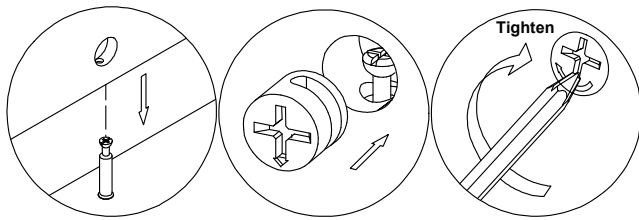
20







21

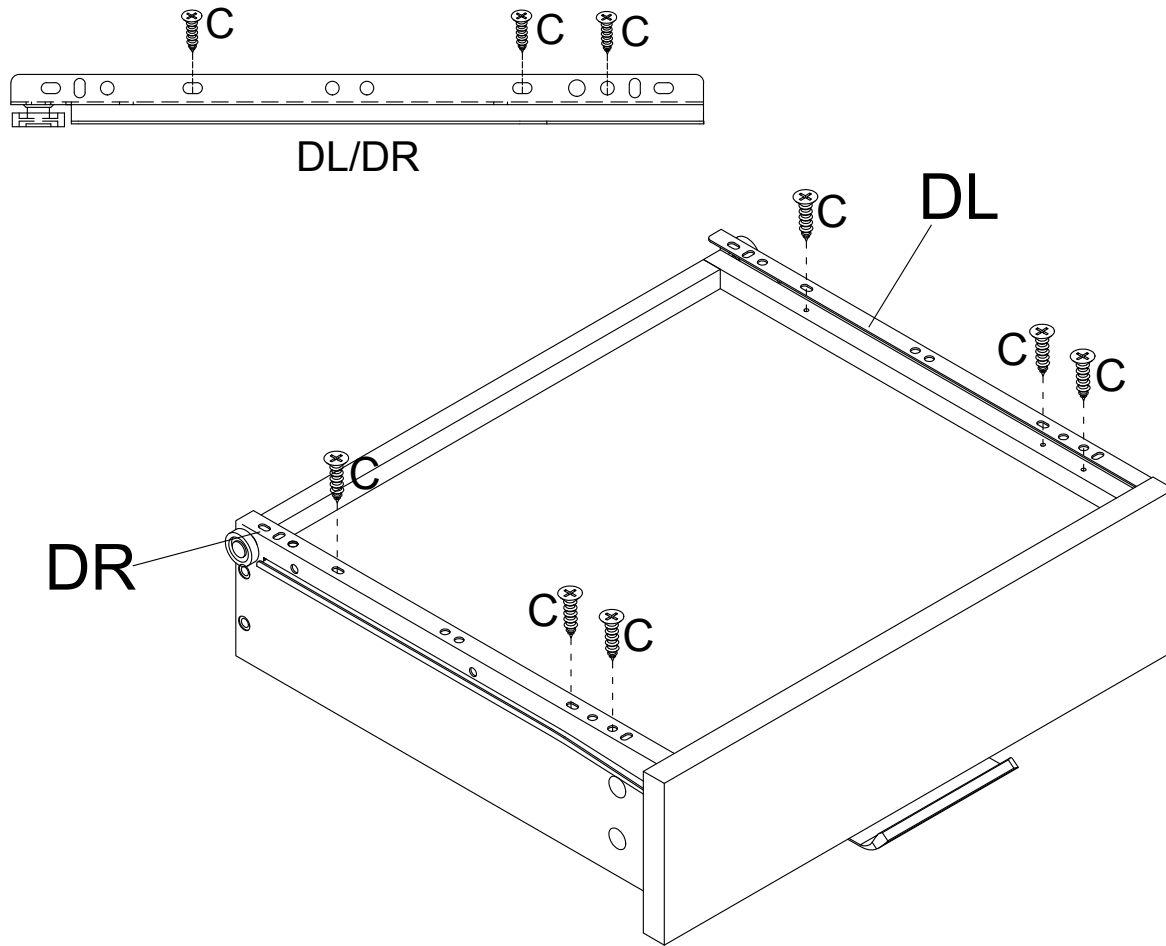



22



I	X1	C	X2	A	X4	T	X4
							
		M3.5x14mm		M6x35mm		Ø12x9mm	

23



C	x6
	
M3.5x14mm	

24

