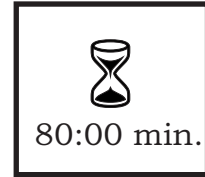
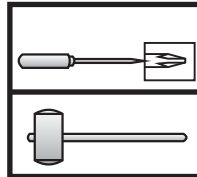
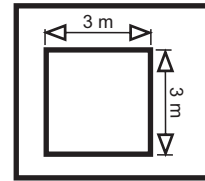
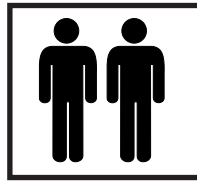
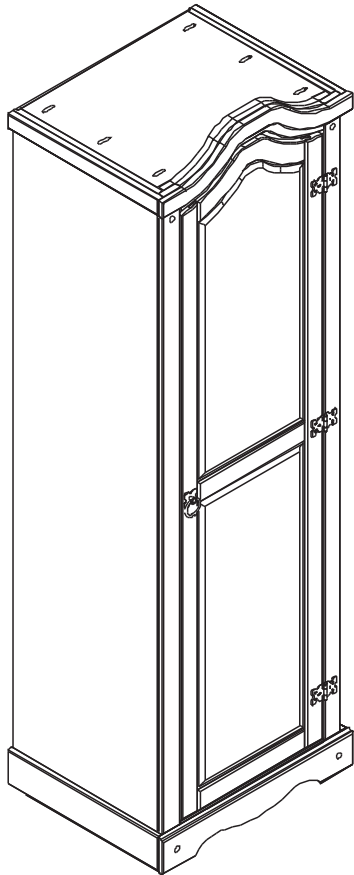
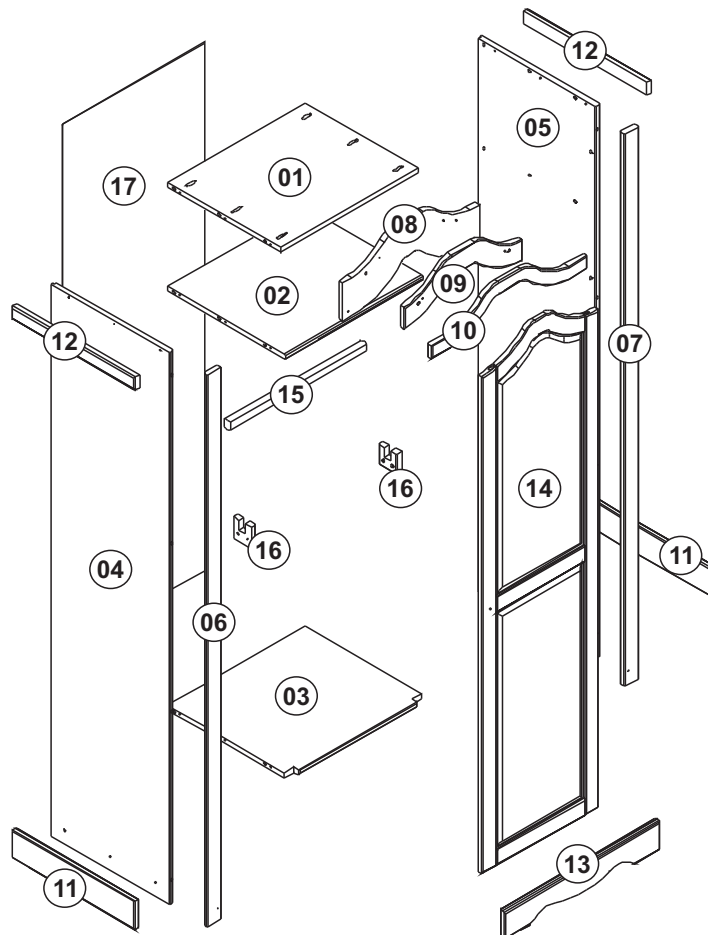




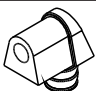

# GREY WAX 1 DOOR WARDROBE #2TONE58









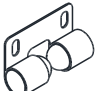
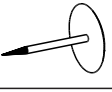
Width = 55cm  
Depth = 45cm  
Height = 176cm

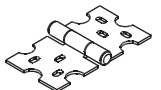



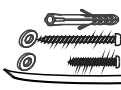
- Please check that all fittings are correct before assembling the item.
- Replacement parts can be supplied for any damages to the item.
- Please keep all packaging until the item is assembled as we will require information from this if replacement parts are required.



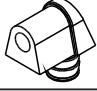

<b>A</b>		<b>26 x</b>
<b>B</b>		<b>18 x</b>
<b>C</b>		<b>10 x</b>
<b>D</b>		<b>02 x</b>

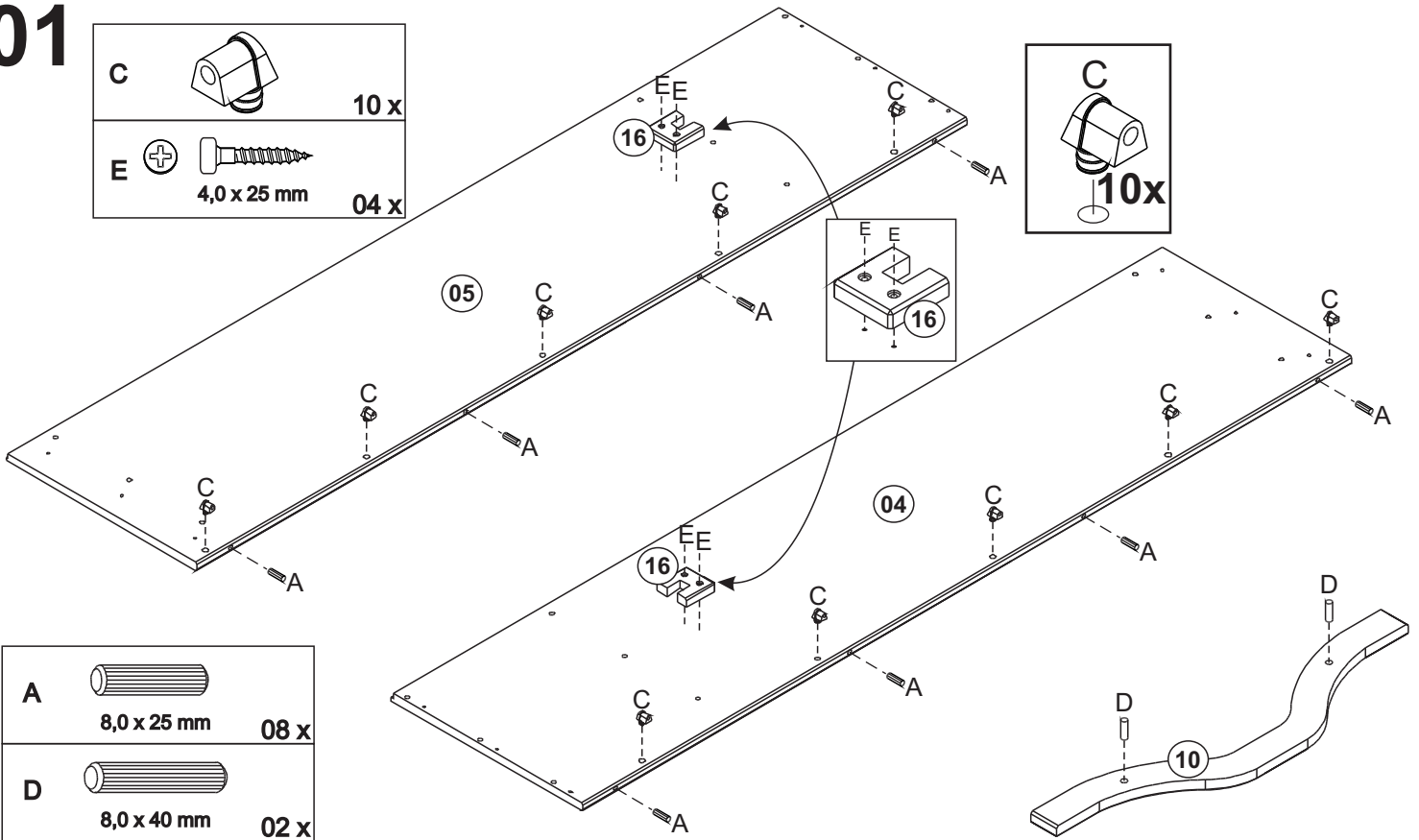
<b>E</b>		<b>24 x</b>
<b>F</b>		<b>01 x</b>
<b>G</b>		<b>18 x</b>
<b>H</b>		<b>01 x</b>



<b>I</b>		<b>22 x</b>
<b>J</b>		<b>02 x</b>
<b>K</b>		<b>02 x</b>
<b>L</b>		<b>04 x</b>

<b>M</b>		<b>03 x</b>
<b>N</b>		<b>12 x</b>
<b>O</b>		<b>02 x</b>
<b>P</b>		<b>10 x</b>
<b>Y</b>		<b>01 x</b>

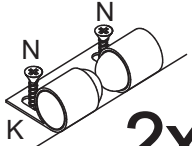
# 01

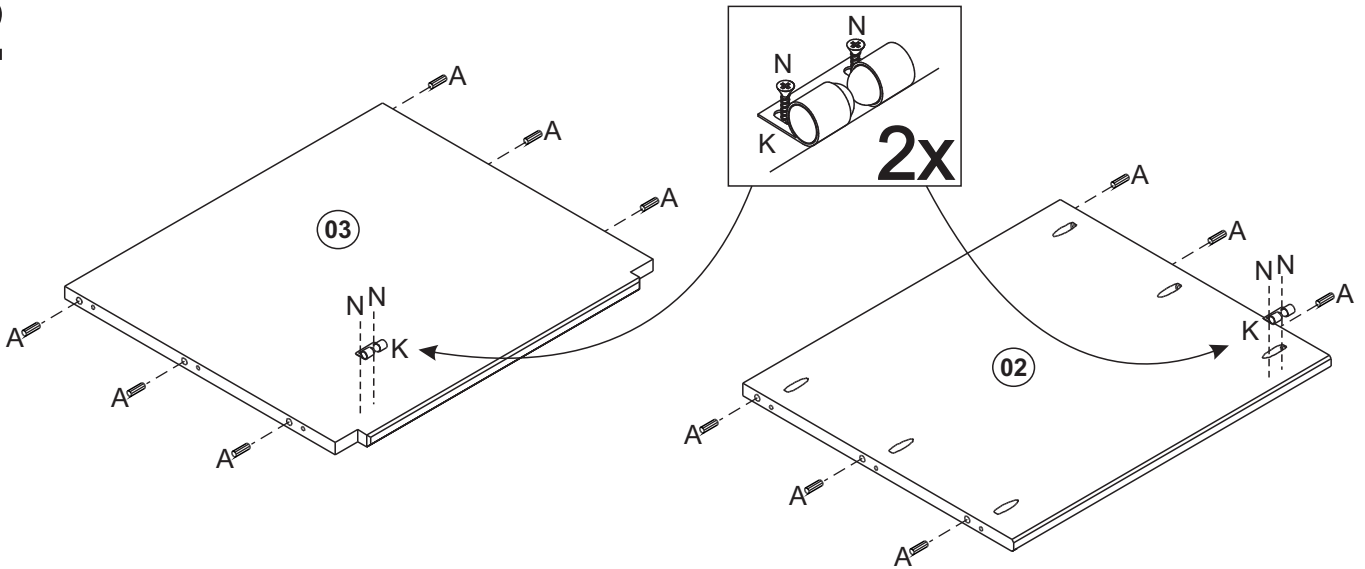
<b>C</b>		<b>10 x</b>
<b>E</b>		<b>04 x</b>

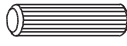

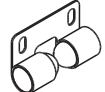


<b>A</b>		<b>08 x</b>
<b>D</b>		<b>02 x</b>

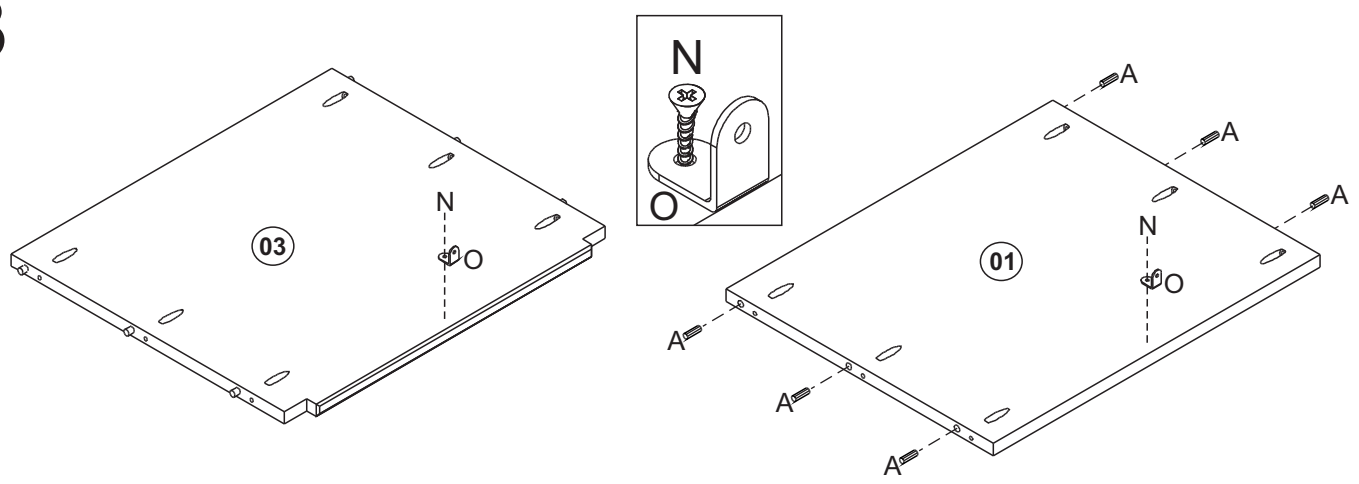
# 02




<b>K</b>		<b>2x</b>
----------	--	-----------



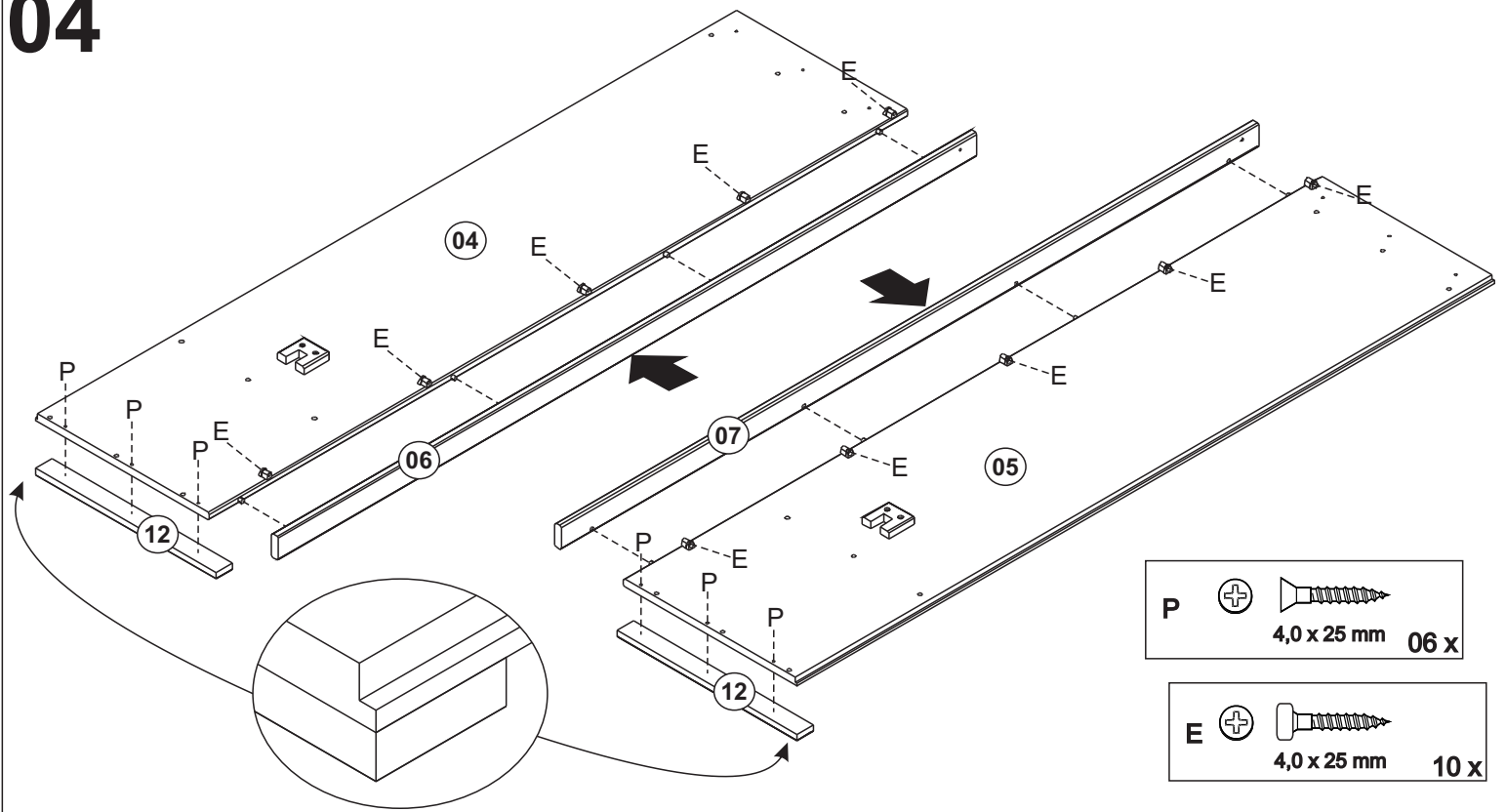
<b>A</b>		<b>12 x</b>	<b>N</b>		<b>04 x</b>	<b>K</b>		<b>02 x</b>
----------	---	-------------	----------	---	-------------	----------	---	-------------


# 03

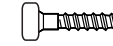


<b>A</b>		<b>8,0 x 25 mm</b>	<b>06 x</b>	<b>N</b>		<b>3,0 x 14 mm</b>	<b>02 x</b>	<b>O</b>		<b>02 x</b>
----------	---	--------------------	-------------	----------	---	--------------------	-------------	----------	---	-------------

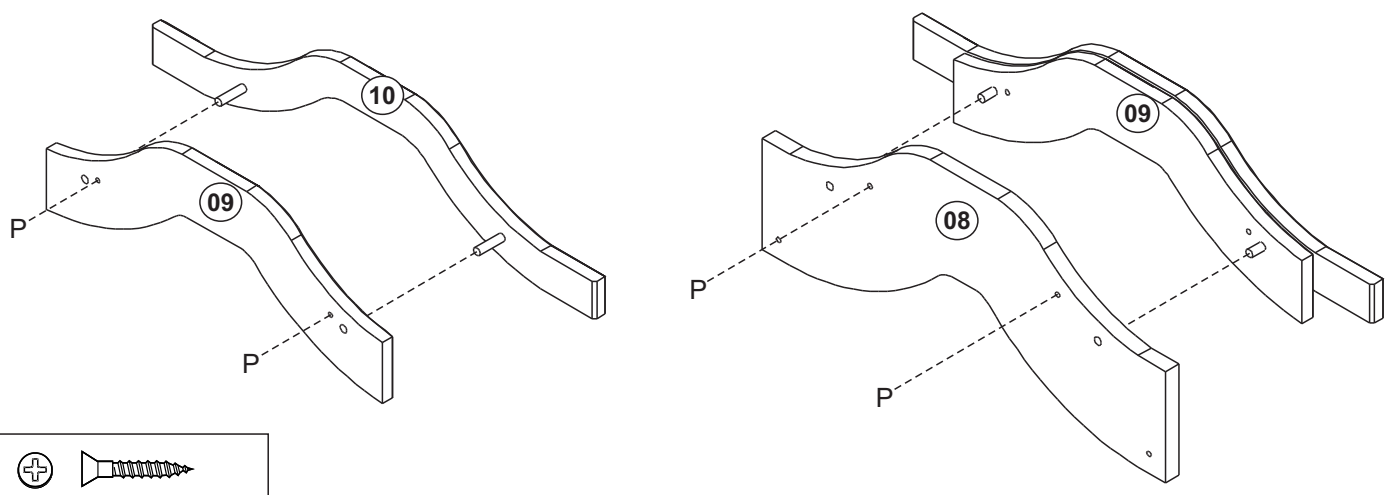
# 04

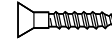


<b>P</b>		<b>4,0 x 25 mm</b>	<b>06 x</b>
----------	---	--------------------	-------------

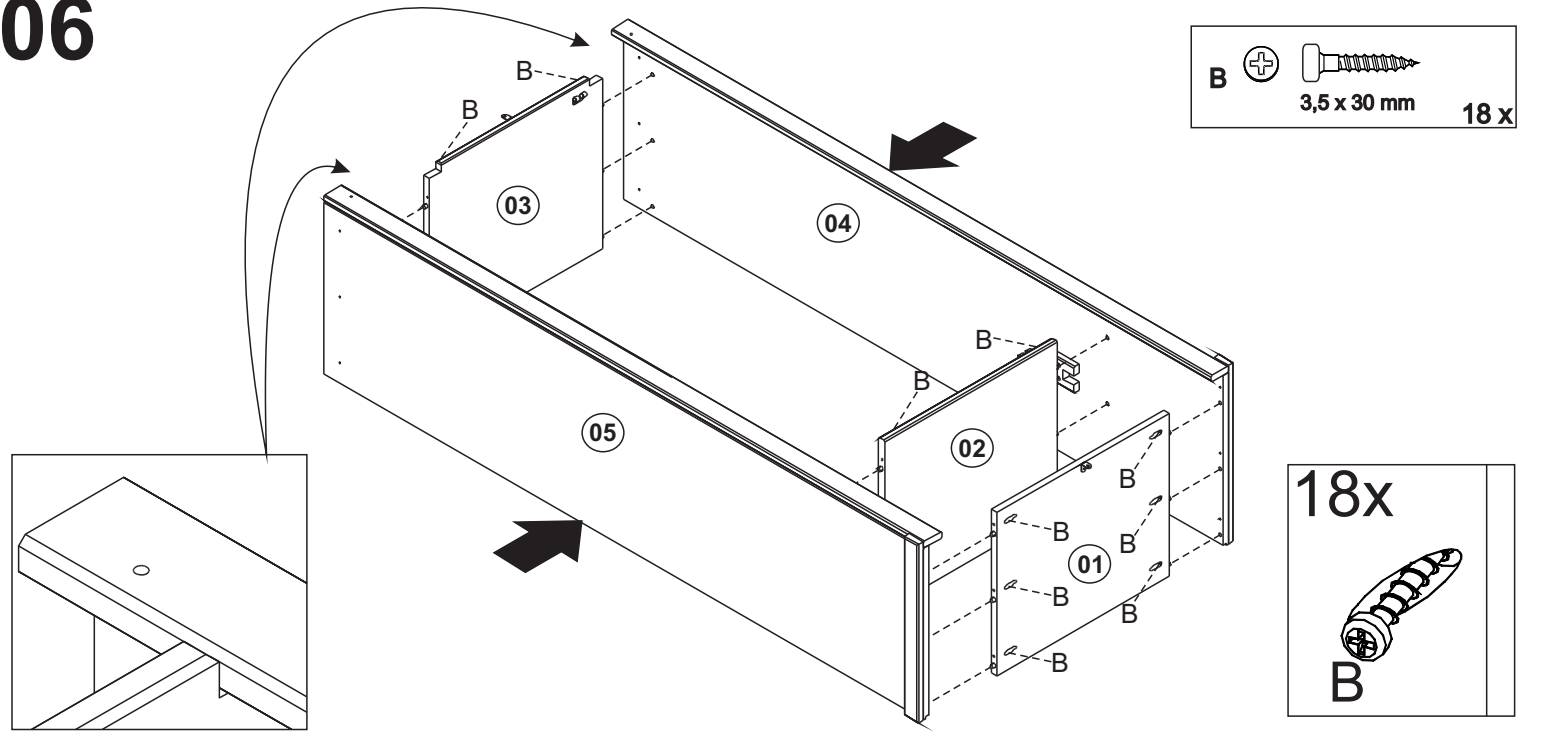
<b>E</b>		<b>4,0 x 25 mm</b>	<b>10 x</b>
----------	---	--------------------	-------------

# 05

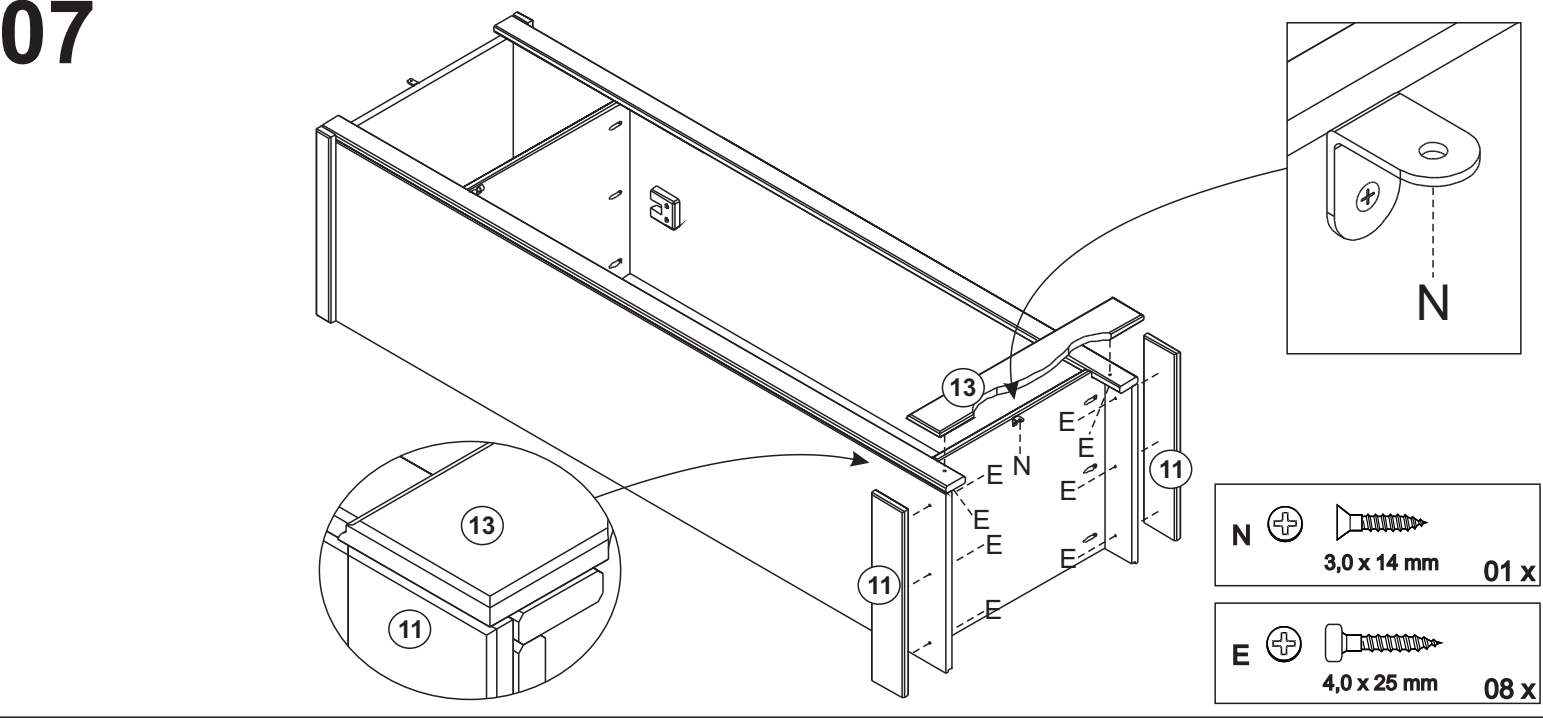


<b>P</b>		<b>4,0 x 25 mm</b>	<b>04 x</b>
----------	---	--------------------	-------------

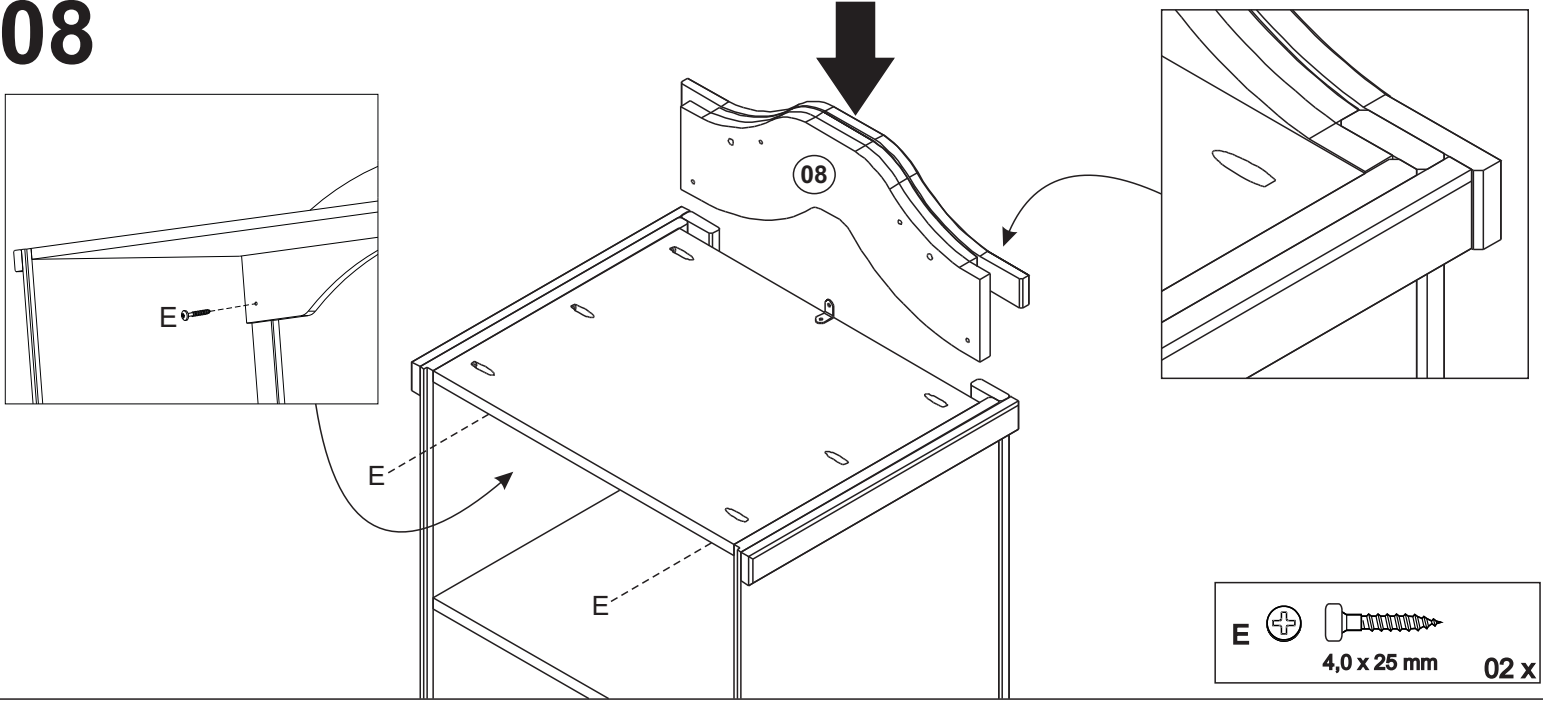
# 06



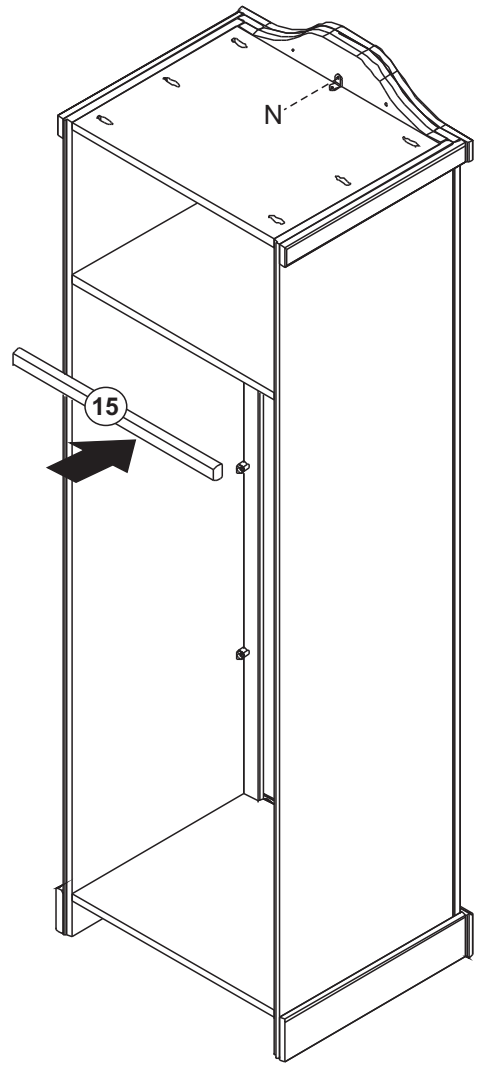
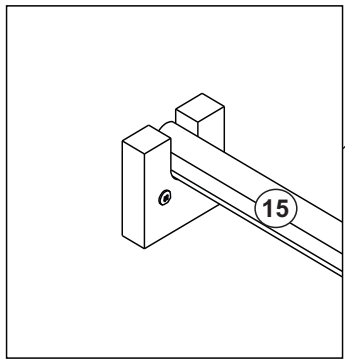
# 07

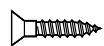


# 08

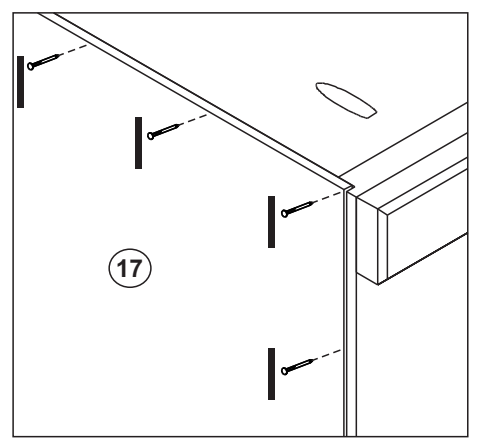
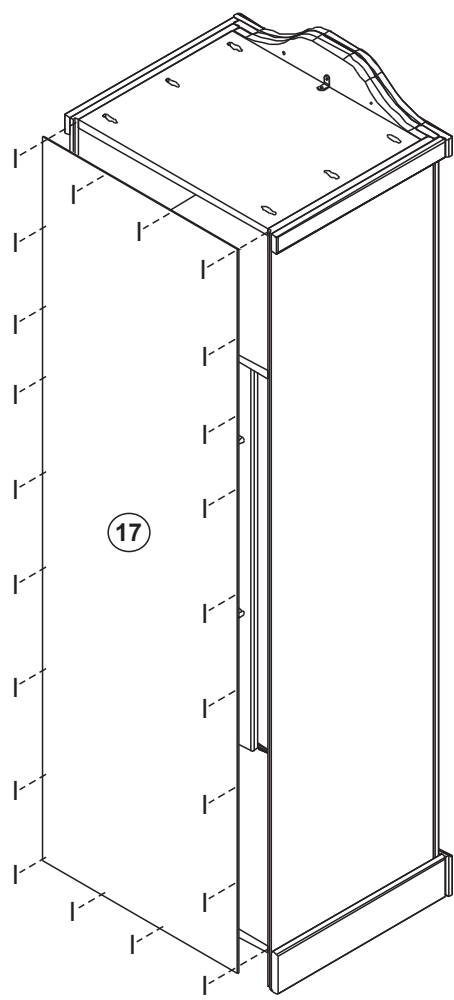


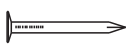
# 09



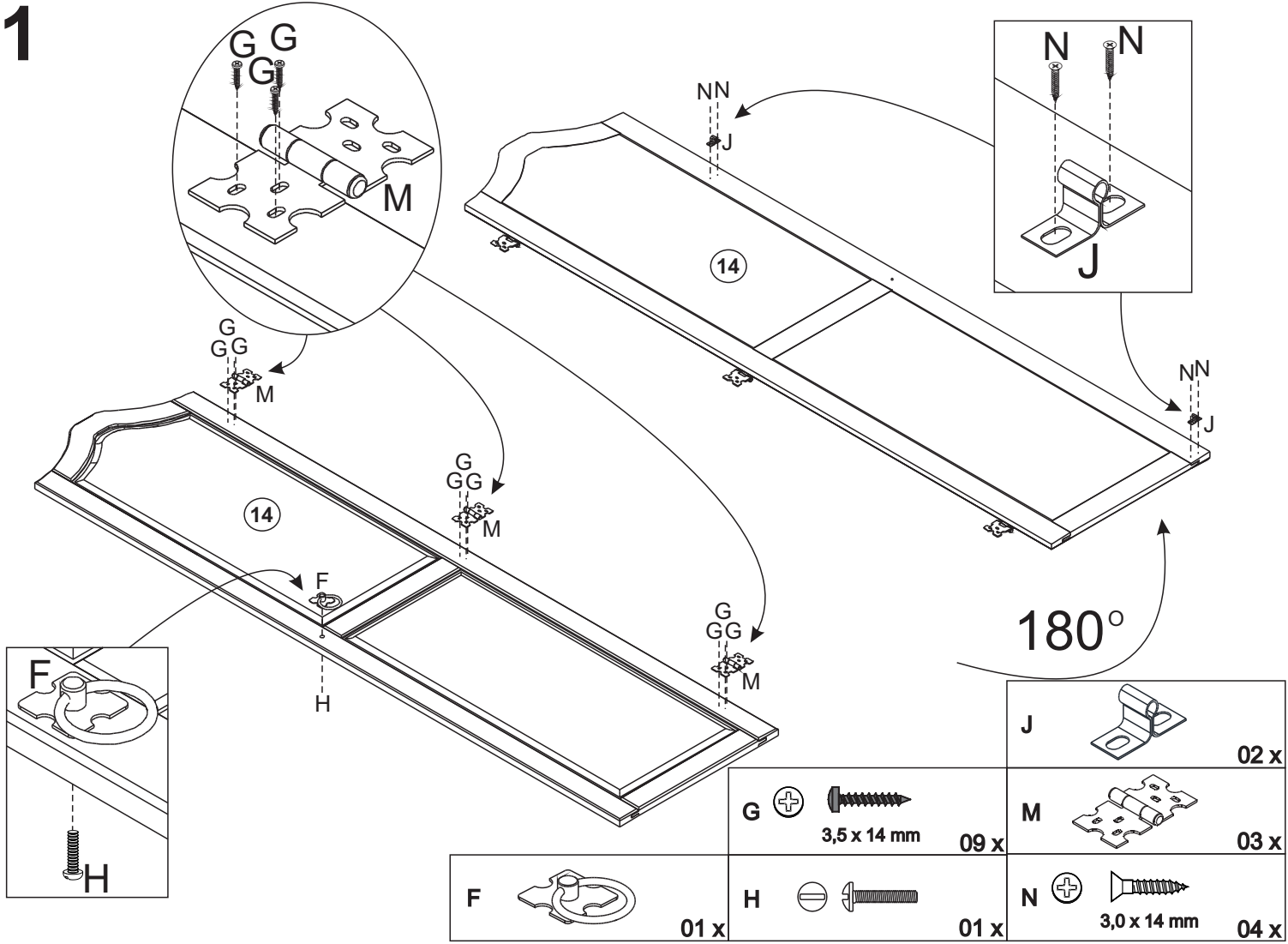
N ⊕  3,0 x 14 mm 01 x

# 10

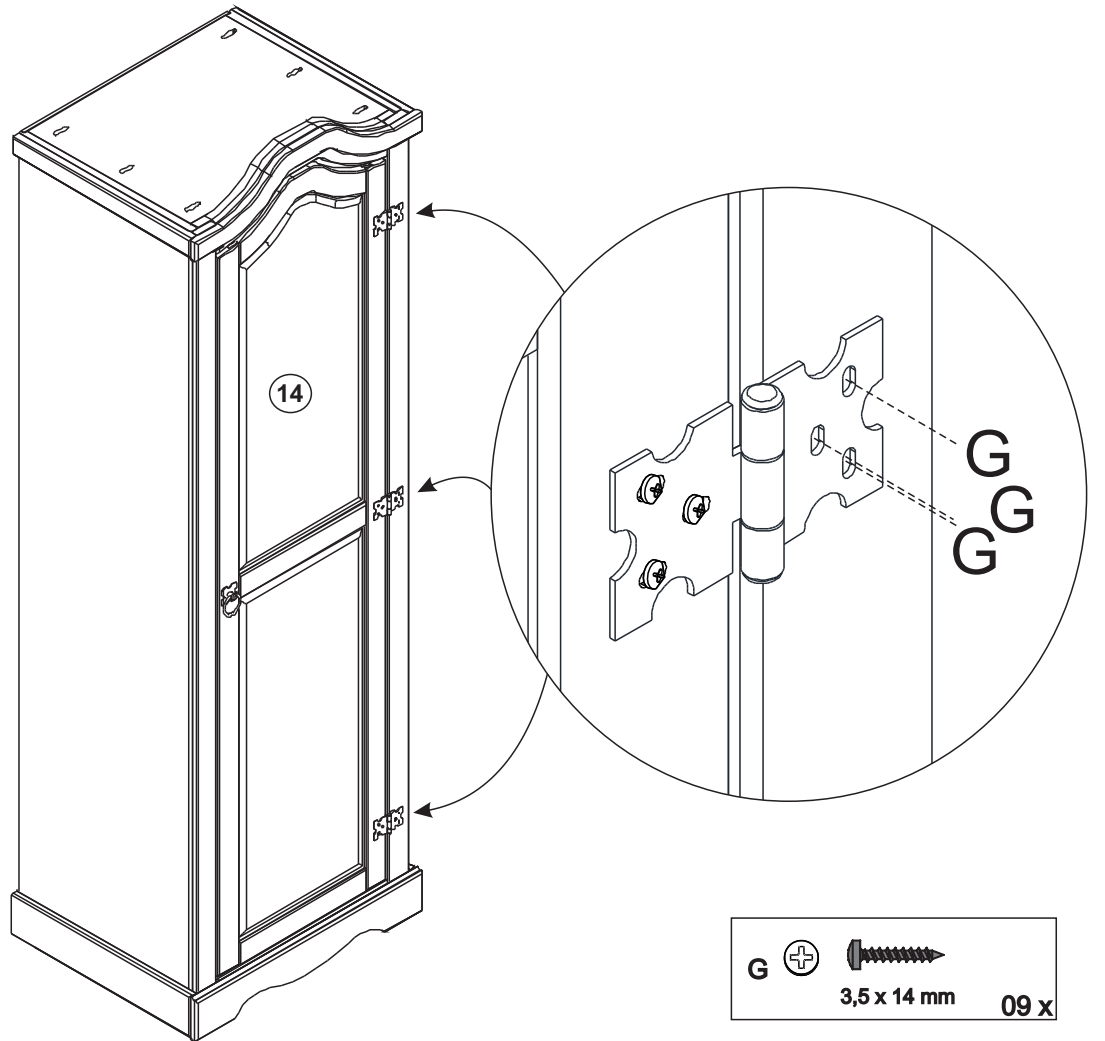


I  8 x 8 22 x

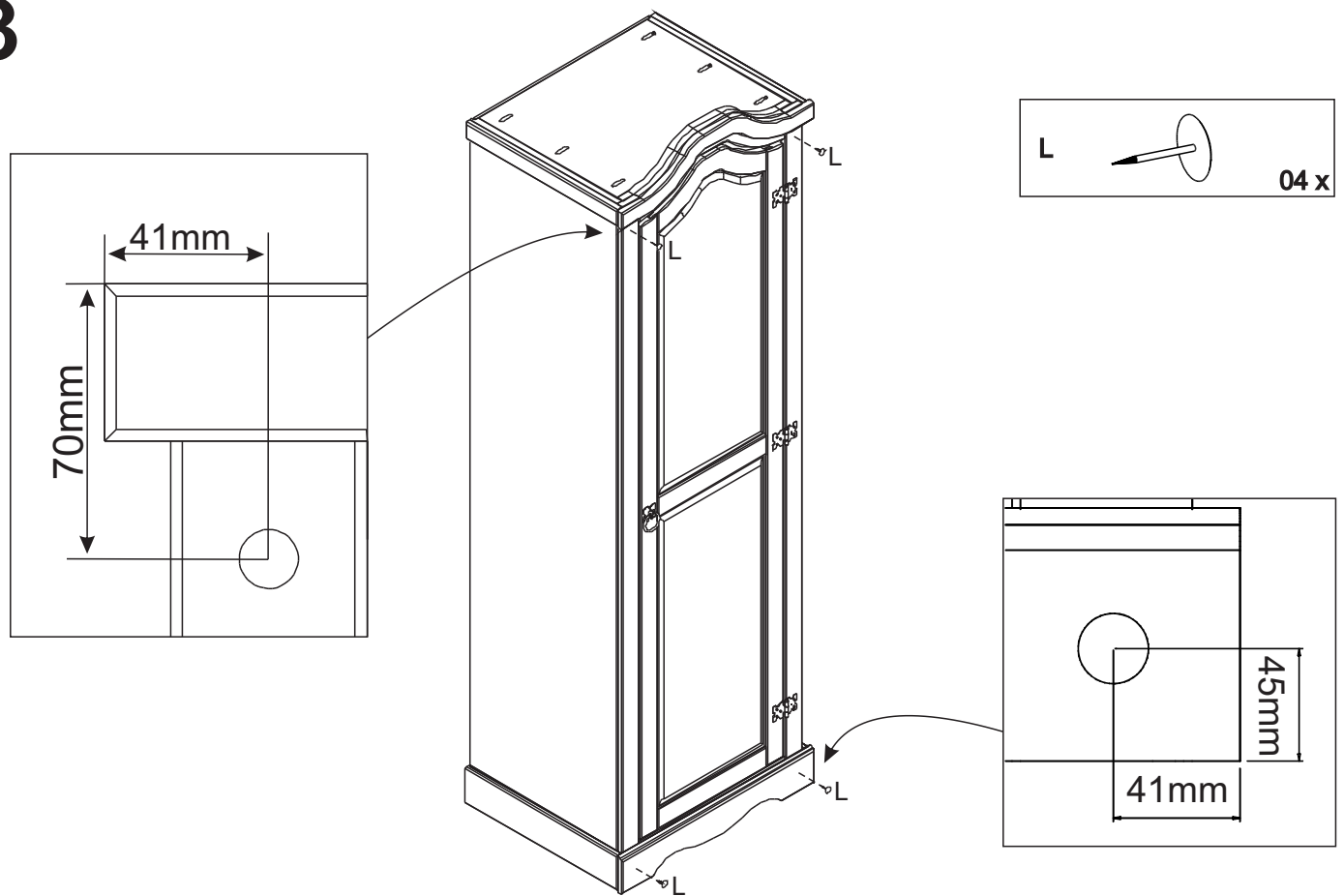
# 11



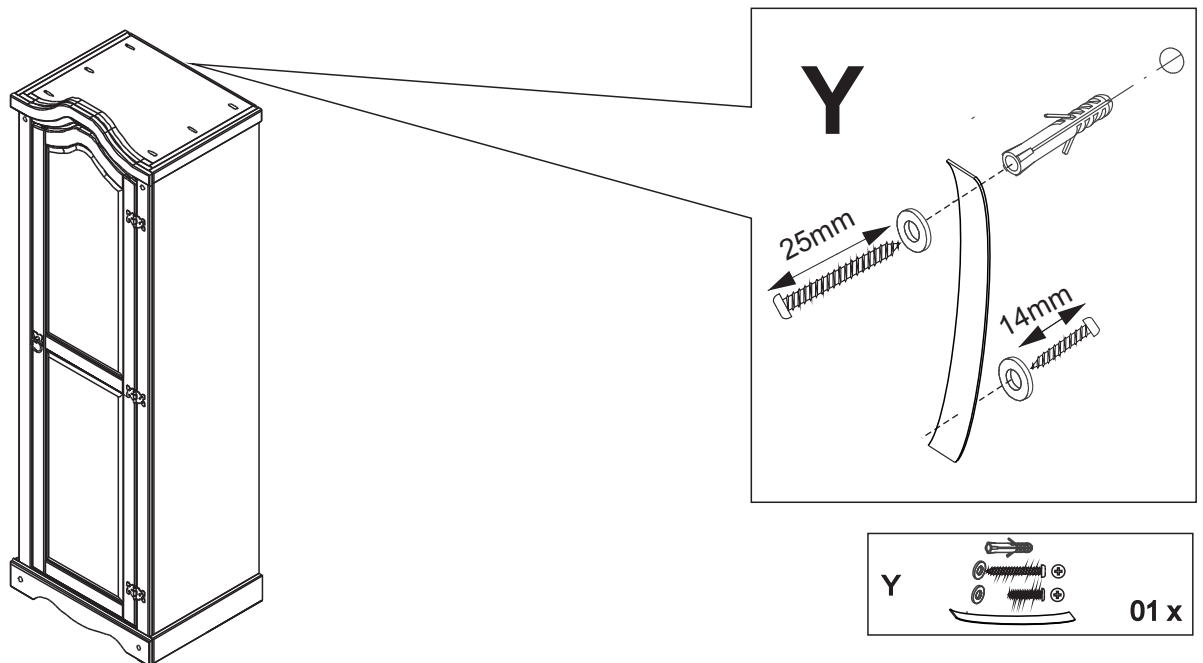
# 12



# 13



# 14



**WARNING: CHECK FOR HIDDEN PIPES AND CABLES BEFORE DRILLING.**

**IMPORTANT: IF YOUR WALLS ARE NOT SOLID LIKE BRICK OR STONE, IT WILL REQUIRE SPECIAL FITTINGS (NOT SUPPLIED).**

- Place the fixing strip against the wall and mark the position for drilling hole.
- Drill a hole in the wall to a depth of 30mm by using a 6mm drill bit. If the surface of your wall is soft and crumbly, we would advise you to use a 5mm drill bit for a tighter fit.
- Insert the wall plug into the hole with end flush to the wall surface.
- Attach fixing strip to the wall using the 25mm screw + washer and securely tighten.
- Pre-drill small pilot hole on the back edge of the furniture top using a 2mm drill bit. Attach the other end fixing strip to the back edge of the furniture top using the 14mm screw + washer and securely tighten.