

# ASSEMBLY INSTRUCTIONS

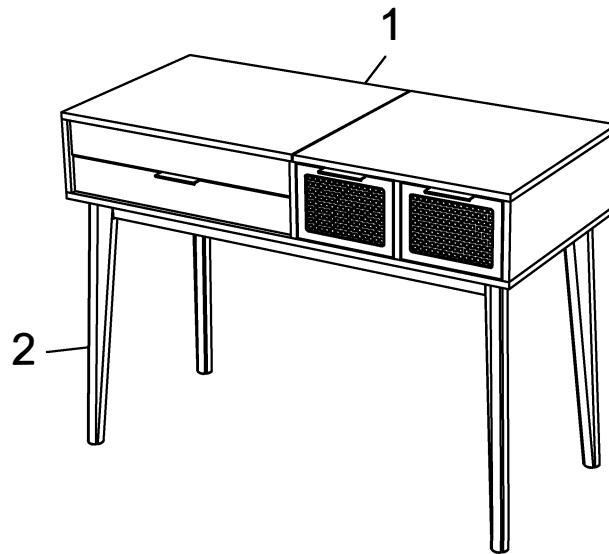
## MAKEUP VANITI SET

### IMPORTANT NOTE :

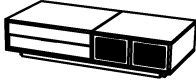

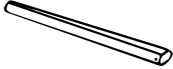






\*\* PLACE ALL PARTS ON A CLEAN AND SMOOTH SURFACE SUCH AS A RUG OR CARPET TO AVOID THE PARTS FROM BEING SCRATCHED.

\*\* BEFORE YOU BEGIN, KINDLY FOLLOW THE ASSEMBLY INSTRUCTIONS STEP BY STEP.

\*\*DO NOT TIGHTEN ALL SCREWS AND BOLTS UNTIL THE TABLE IS FULLY SET-UP.

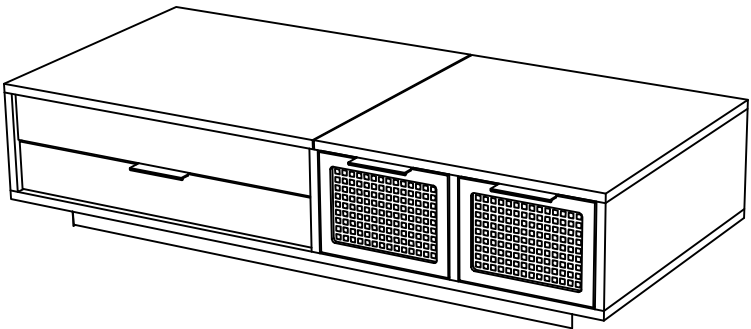
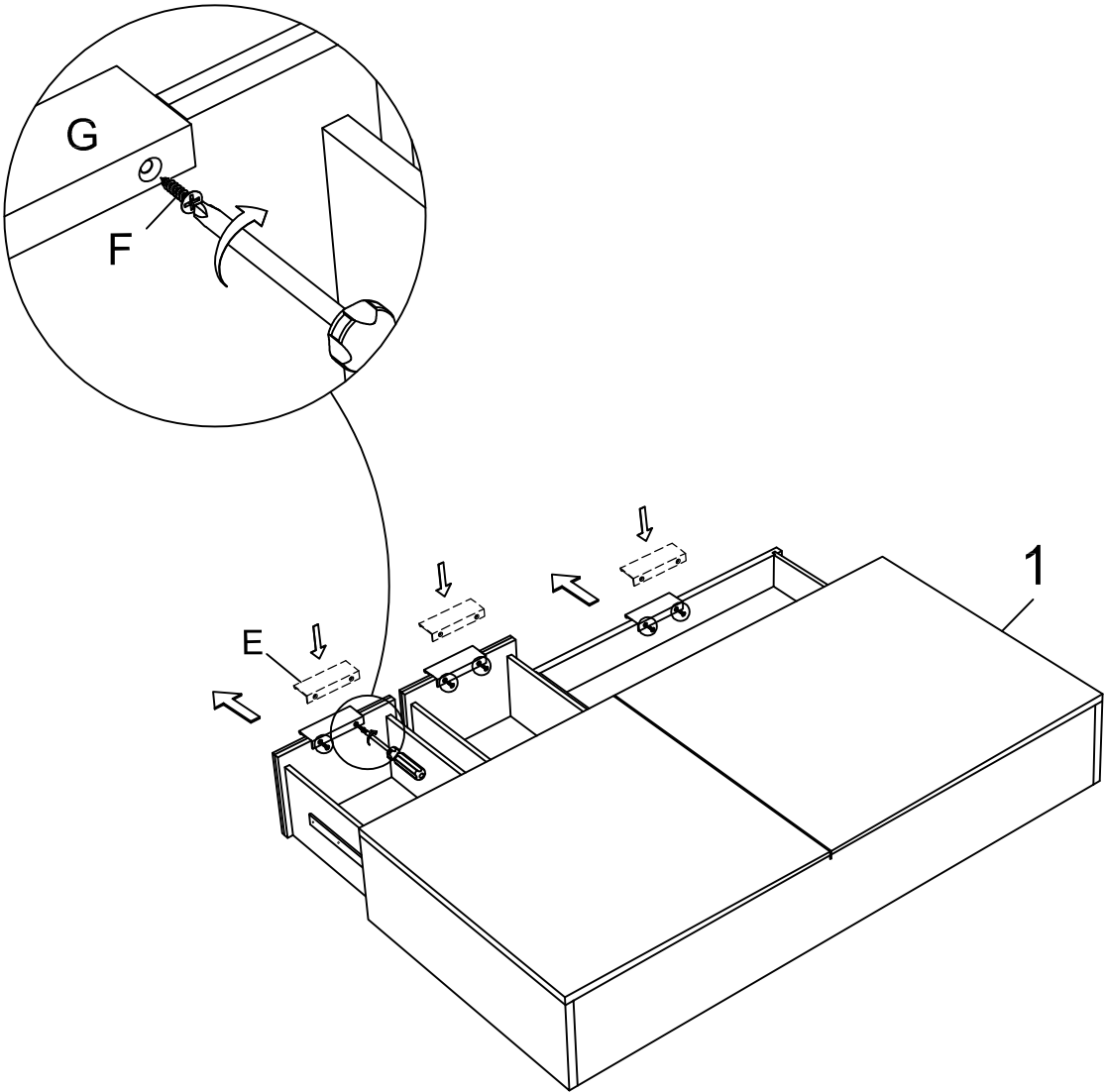


### CARTONS ONLY ONE/ CARTONS SEULEMENT UN

PART LISTS				HARDWARE LISTS			
NO.	DESCRIPTION	SKETCH	Q'TY	NO.	DESCRIPTION	SKETCH	Q'TY
1	TOP FRAME		1 PC	A	BOLT Ø 1/4" x 60mmL		8 PCS
2	LEGS		4 PCS	B	SPRING WASHER Ø 1/4" x 12 mm		8 PCS
				C	FLAT WASHER Ø 1/4" x 18 mm		8 PCS
				D	ALLEN WRENCH 4 mm		1 PC
				E	HANDLE		3 PCS
				F	SCREW Ø 1/8" x 12 mm		6 PCS
				G	TIPPING RESTRAINT		2 SET

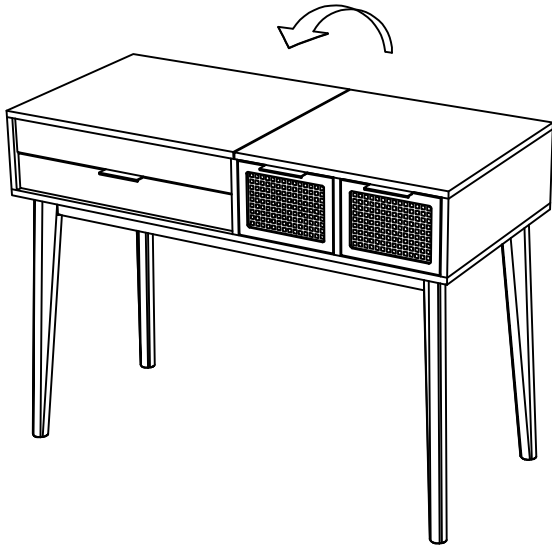
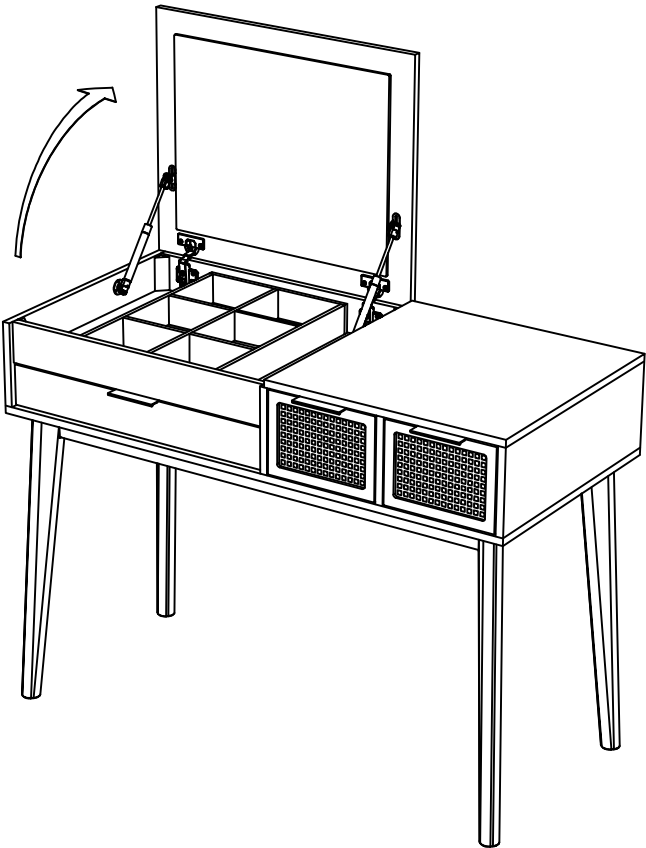
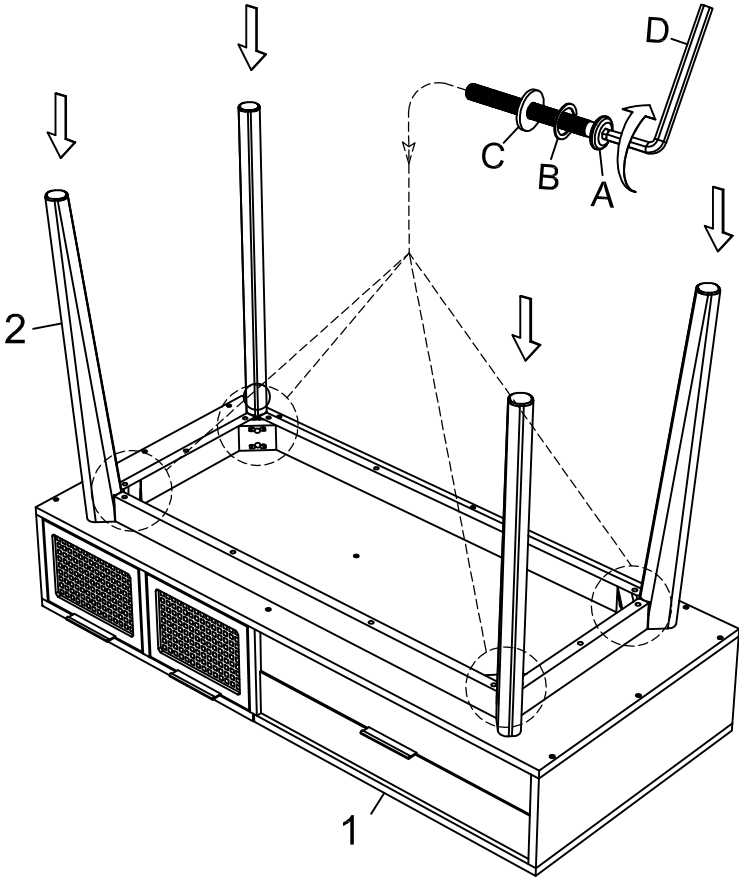
# ASSEMBLY INSTRUCTIONS

STEP 1 :



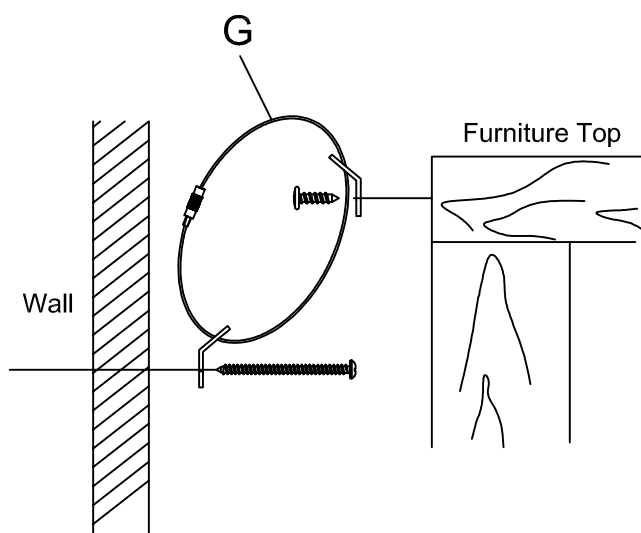
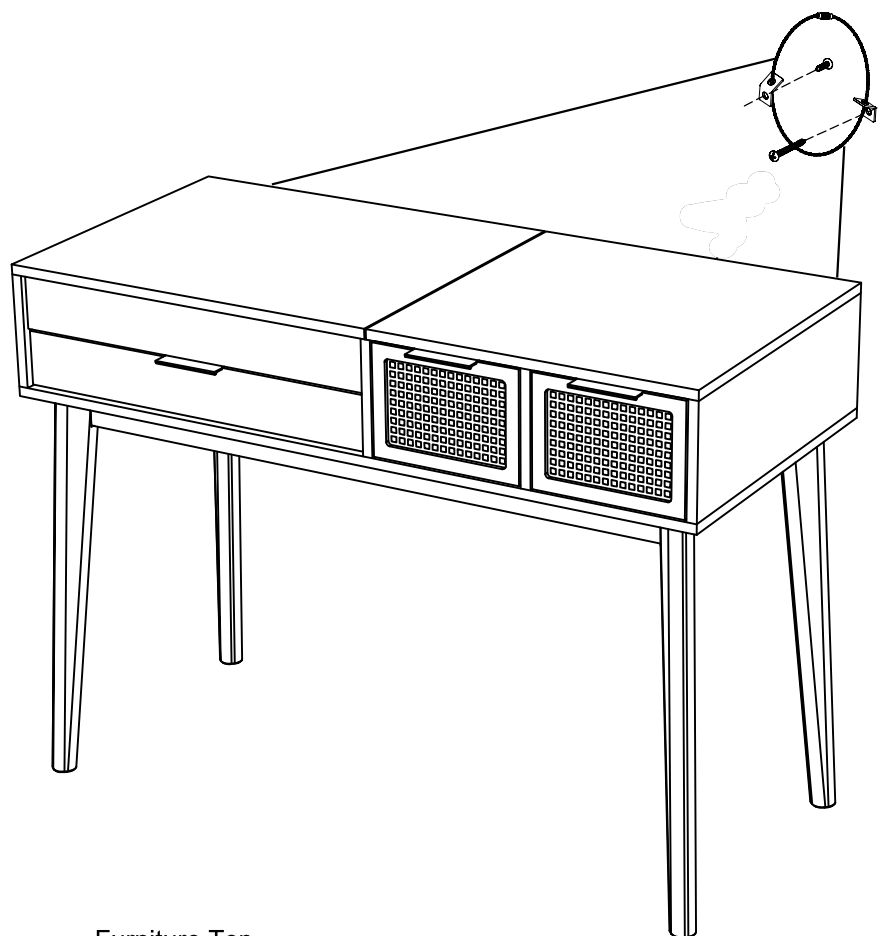
# ASSEMBLY INSTRUCTIONS

STEP 2 :



# ASSEMBLY INSTRUCTIONS

## STEP 3 :



# ASSEMBLY INSTRUCTIONS

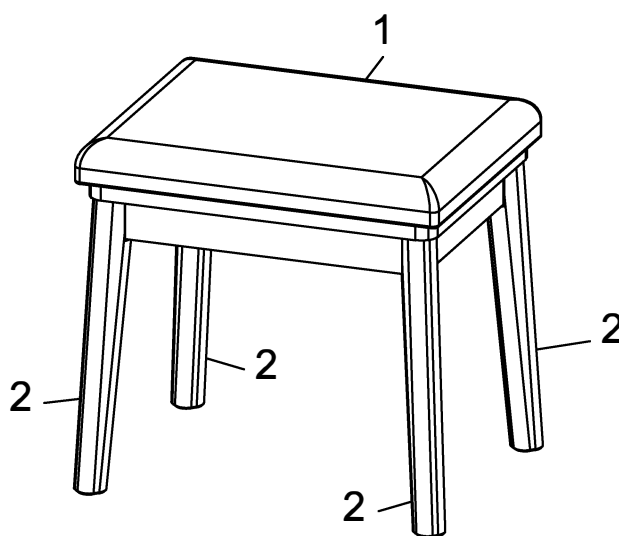
## MAKEUP VANITI SET

### IMPORTANT NOTE :

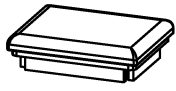





\*\* PLACE ALL PARTS ON A CLEAN AND SMOOTH SURFACE SUCH AS A RUG OR CARPET TO AVOID THE PARTS FROM BEING SCRATCHED.

\*\* BEFORE YOU BEGIN, KINDLY FOLLOW THE ASSEMBLY INSTRUCTIONS STEP BY STEP.

\*\*DO NOT TIGHTEN ALL SCREWS AND BOLTS UNTIL THE STOOL IS FULLY SET-UP.



### CARTONS ONLY ONE/ CARTONS SEULEMENT UN

PART LISTS				HARDWARE LISTS			
NO.	DESCRIPTION	SKETCH	Q'TY	NO.	DESCRIPTION	SKETCH	Q'TY
1	TOP FRAME		1 PC	A	BOLT Ø 1/4" x 60mmL		8 PCS
2	LEGS		4 PCS	B	SPRING WASHER Ø 1/4" x 12 mm		8 PCS
				C	FLAT WASHER Ø 1/4" x 18 mm		8 PCS
				D	ALLEN WRENCH 4 mm		1 PC

# ASSEMBLY INSTRUCTIONS

STEP 1 :

