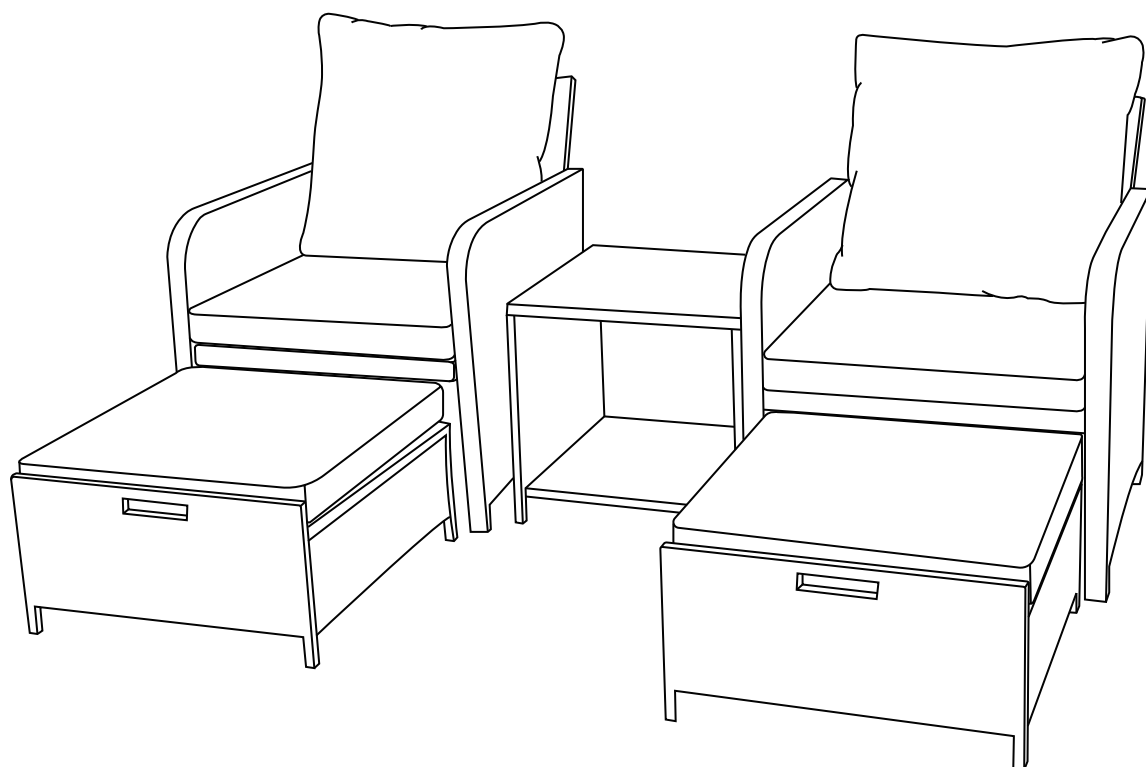


INSTRUCTION

5-PIECES CONVERSATION SETS

If you have any questions about the conversation sets. Please feel free to contact us.



NOTICE!

Please keep these instructions for future reference.

Dear Customer

- Thank you for your purchase. When you receive the product, please make sure that all the parts are intact. Then follow the entire installation instructions to install!
- When installing, please be careful not to tighten the screws immediately! You need to make sure that all the screws are secured to 80%, then tighten them!
- In order to protect the rattan from harm, and the screw hole from grind, do not use the electric drill, please use the manual screwdriver in the hardware package!

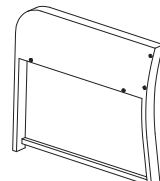
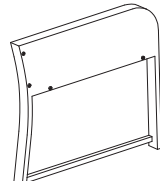
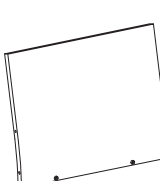

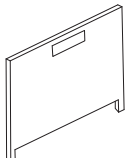
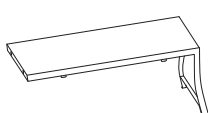
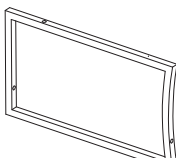
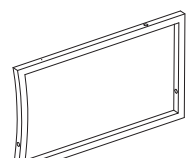
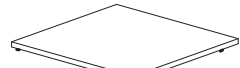
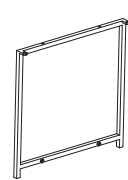

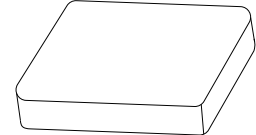
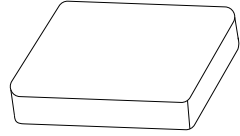
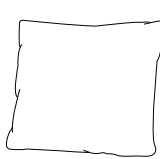
If problem occur unsatisfactorily as follows

- A . The outer box is damaged
- B . The product is damaged / bent / cracked while you open the box
- C . The parts / accessories / assembly tools are missing
- D . The instructions are not clear and can not be referred
- E . The product has functional problems





CARE INSTRUCTIONS

- **IMPORTANT!** Always cover the conversation sets with the waterproof cover (**not included**) when not in use, or you will get dirty surface and cushion full of water.
- To clean the cushion cover, please take out the sponge inside. Follow the care instructions that are sewn into the fabric. Never use solvent-based detergents since these may bleach the material and damage the fabric.
- To clean the metal frame and weaving rattan, wipe them with clean water. It is not recommended to clean products with a strong cleaner or an abrasive materials, it may discolor or damage the surface.

PARTS

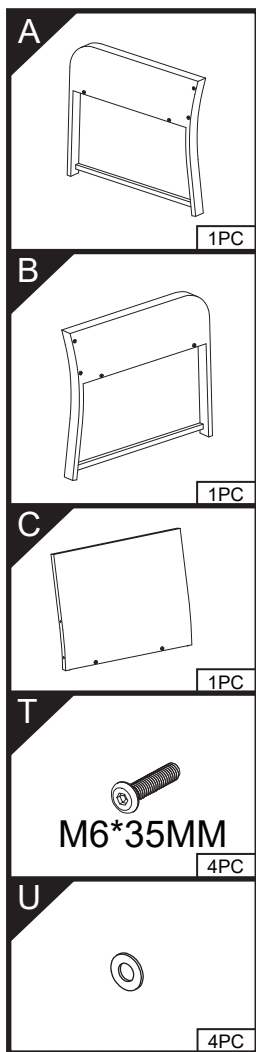
<p>A</p>  <p>2PC</p>	<p>B</p>  <p>2PC</p>	<p>C</p>  <p>2PC</p>	<p>D</p>  <p>2PC</p>
<p>E</p>  <p>2PC</p>	<p>F</p>  <p>2PC</p>	<p>G</p>  <p>2PC</p>	<p>H</p>  <p>2PC</p>
<p>I</p>  <p>1PC</p>	<p>J</p>  <p>2PC</p>	<p>K</p>  <p>1PC</p>	<p>L</p>  <p>seat cushion (56*54.5*6CM)</p> <p>2PC</p>
<p>M</p>  <p>foot cushion (54.5*53*5CM)</p> <p>2PC</p>	<p>N</p>  <p>2PC</p>		

HARDWARE

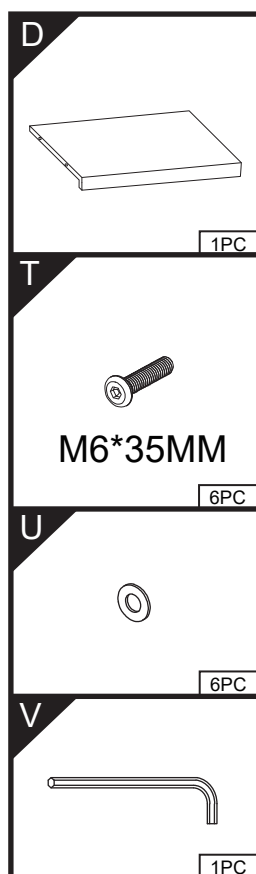
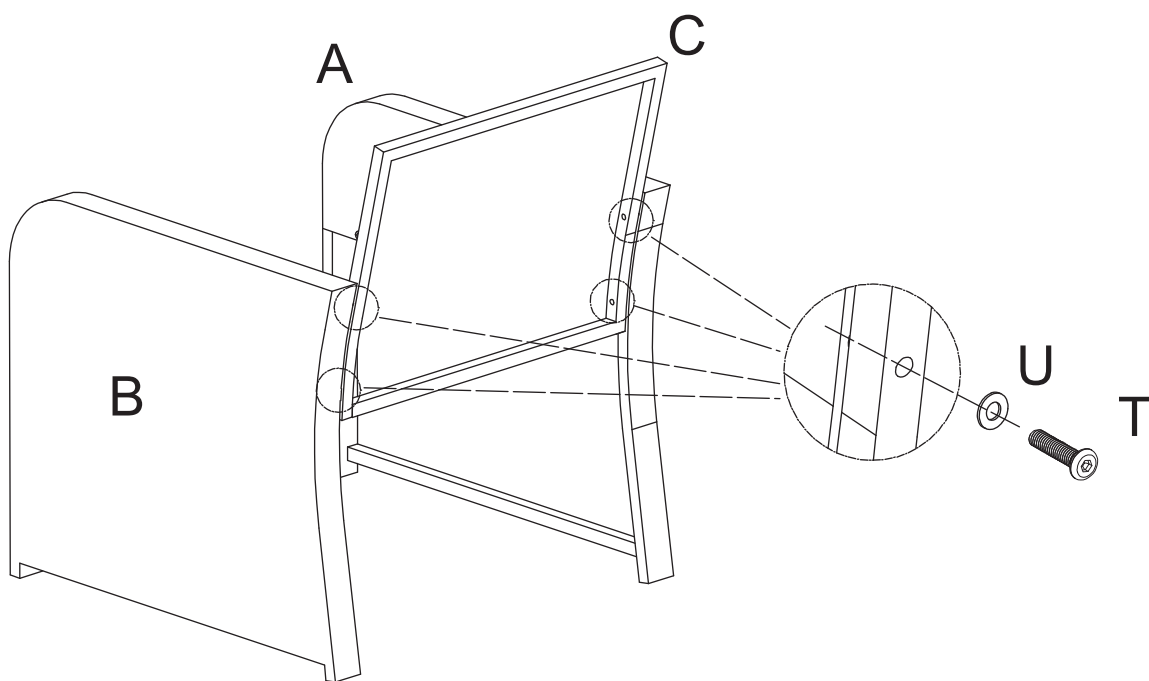
<p>S</p>  <p>M6*15MM</p> <p>4PC</p>	<p>T</p>  <p>M6*35MM</p> <p>48PC</p>	<p>U</p>  <p>52PC</p>	<p>V</p>  <p>1PC</p>
---	--	---	--

SECTION 1

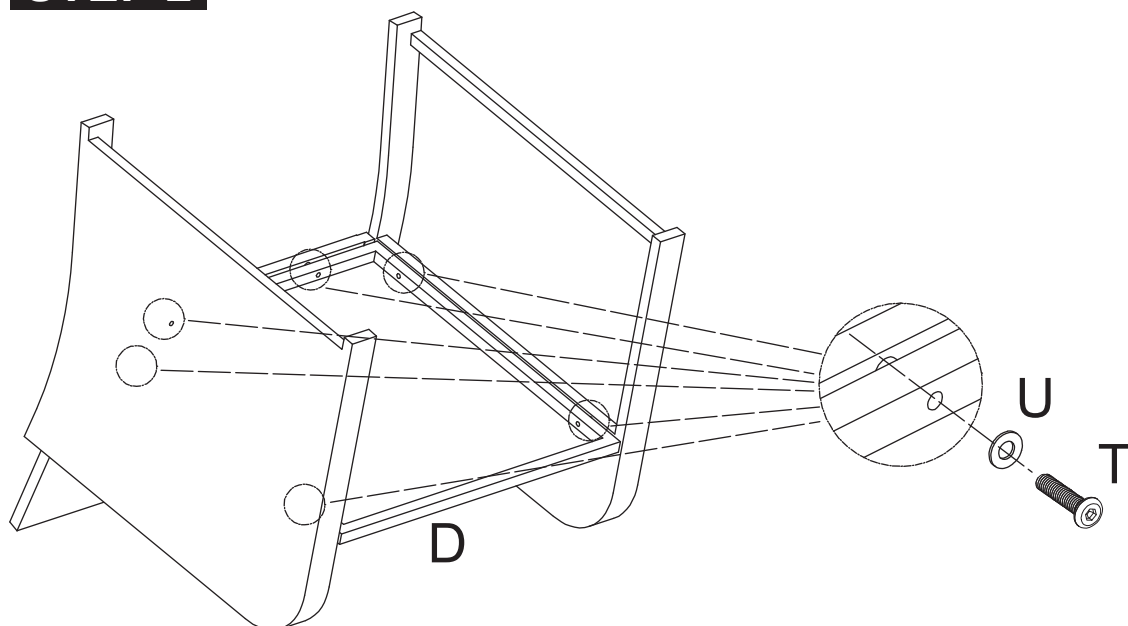
SINGLE CHAIR ASSEMBLY *2



STEP 1



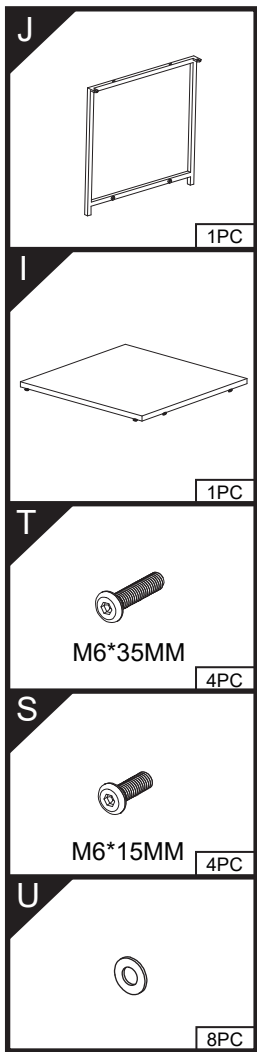
STEP 2



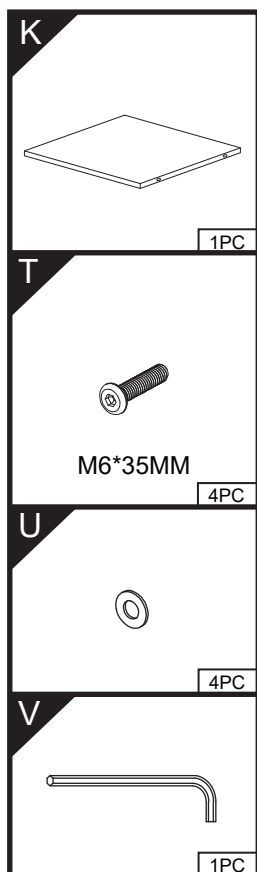
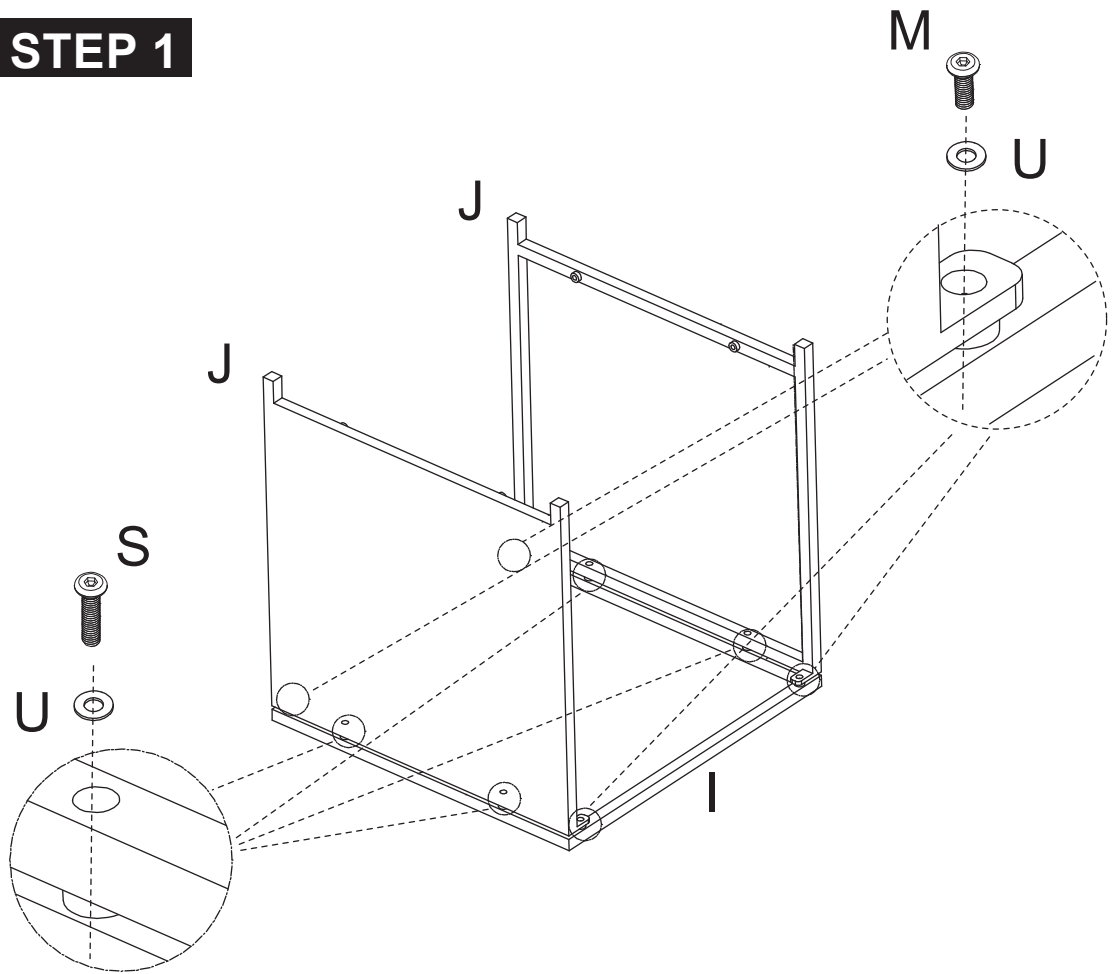
▲ For simple viewing, the manual provides a hollow view, noted that the actual object is not hollow.

SECTION 2

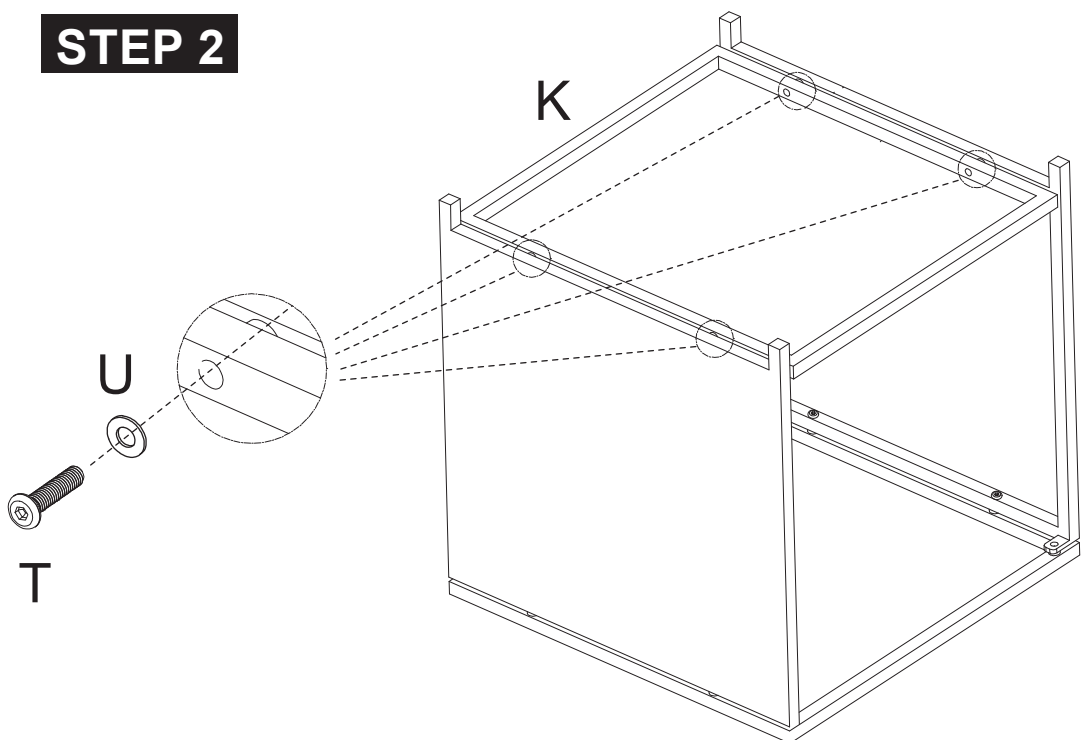
COFFEE TABLE ASSEMBLY



STEP 1



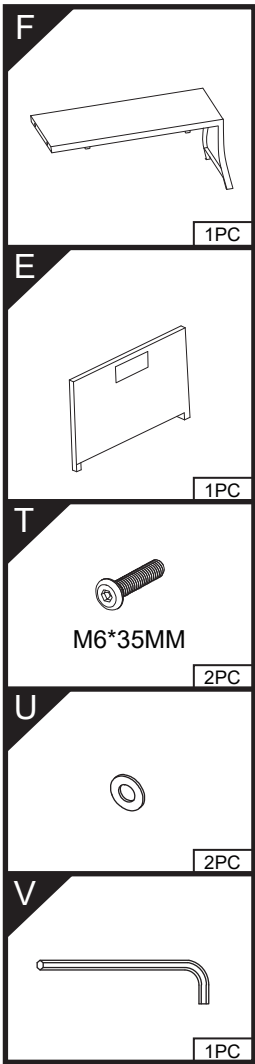
STEP 2



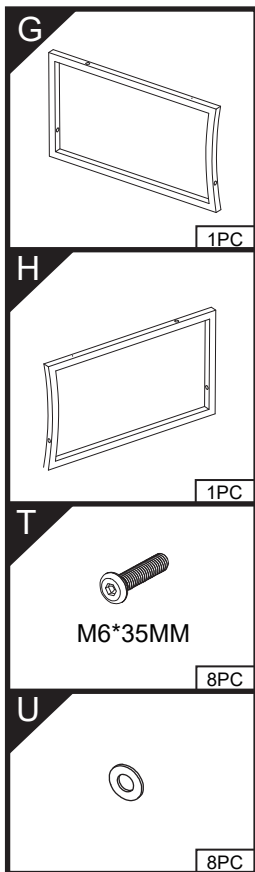
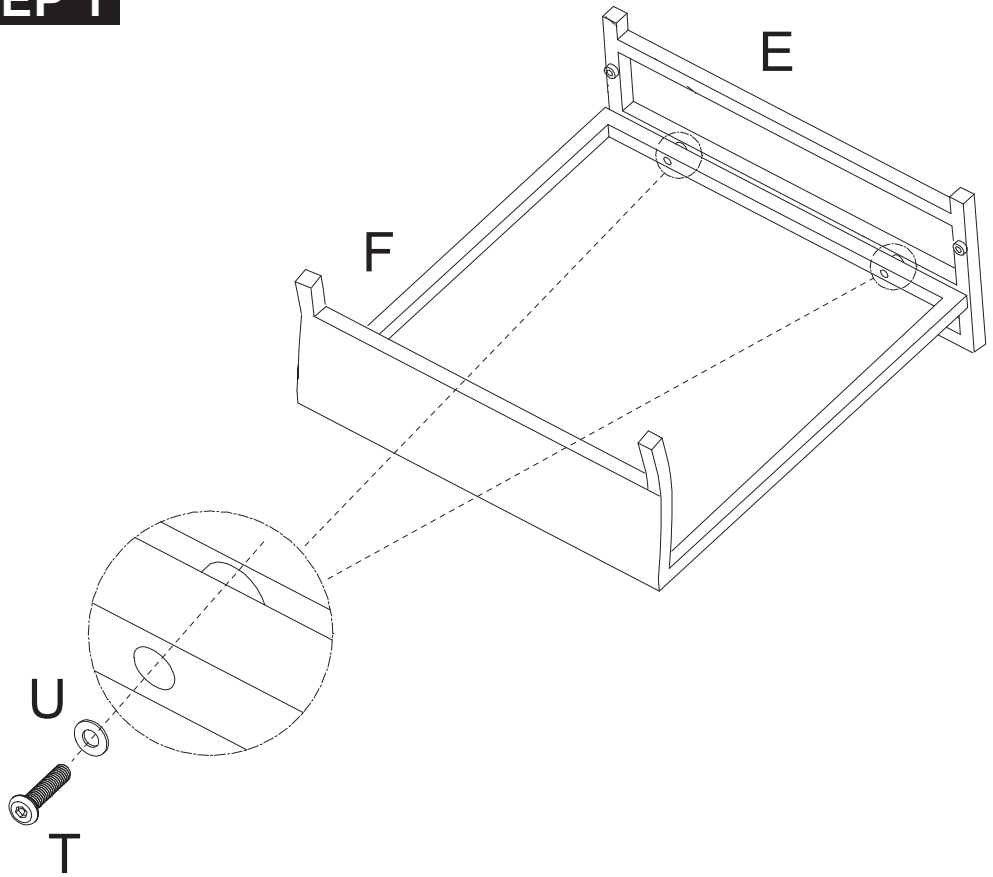
▲ For simple viewing, the manual provides a hollow view, noted that the actual object is not hollow.

SECTION 3

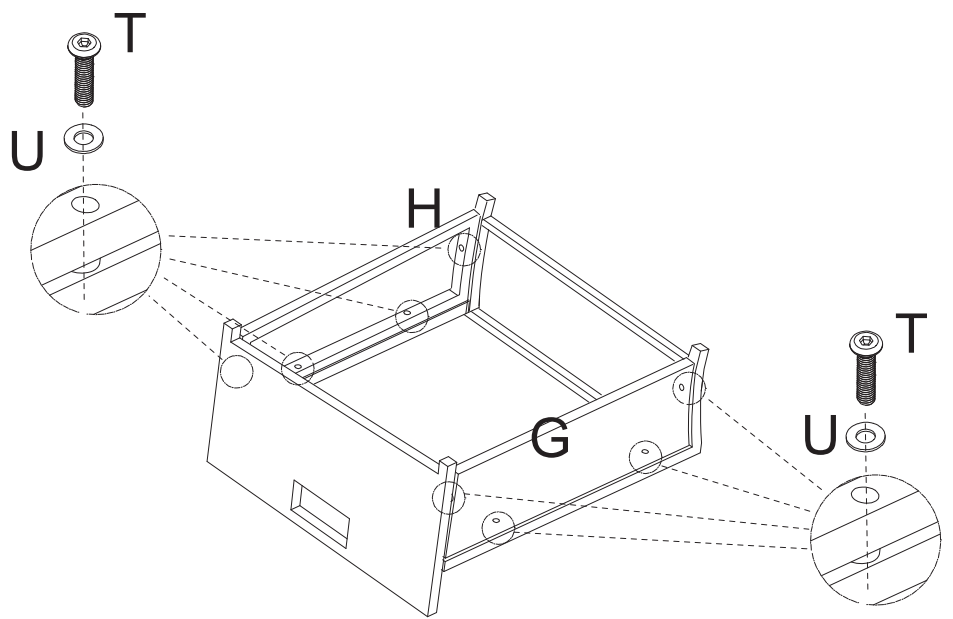
OTTOMAN ASSEMBLY * 2



STEP 1



STEP 2



▲ For simple viewing, the manual provides a hollow view, noted that the actual object is not hollow.