

Hamster Playhouse

CUSTOMER SUPPORT

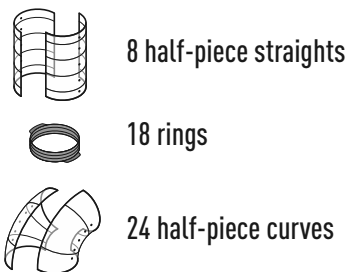
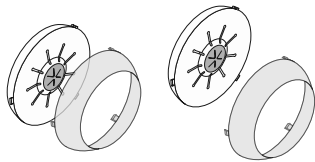
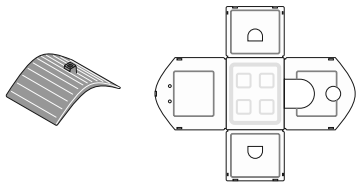
For assistance or replacement parts, please contact us.

TOOLS : No tools are required • For best results, follow Assembly Steps in order presented.

KEY:

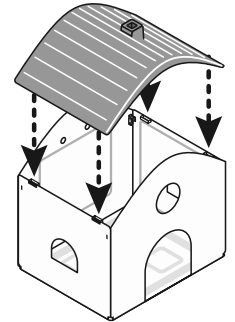
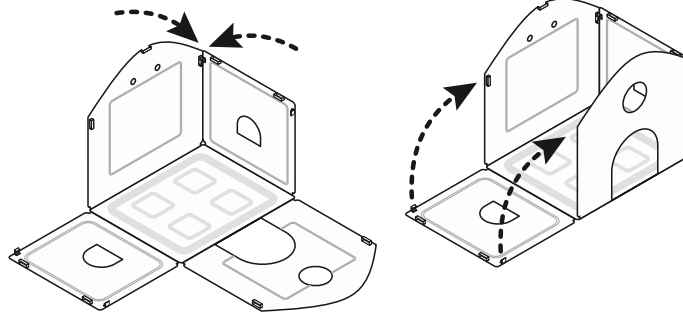
B = Base
C = Clips
LM = Lower Mesh
UM = Upper Mesh
R = Roof
PR = Platform & Ramp
W = Wheel
H = House
T = Tunnel

PRE-ASSEMBLY



Pre-assemble the House

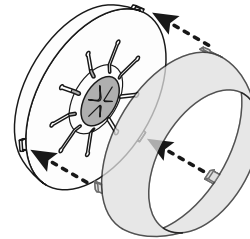
Flip the sides up. Push the tabs into the slots until they click.



Align the pegs on the underside of the roof into the slots on the side walls until they click.

Pre-assemble the two Exercise Wheels

Snap the covers onto the wheel bases.

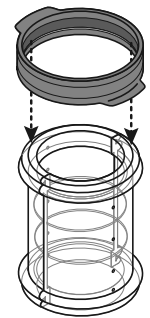
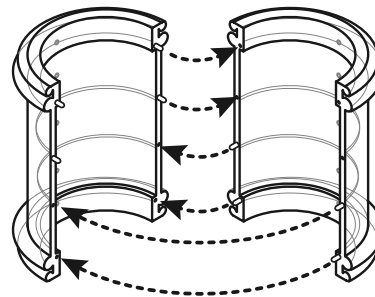


Pre-assemble the Tunnel Trails

Both types of tunnel half-pieces have pegs on one end and receiving holes on the other.

Align pegs with holes and click together.

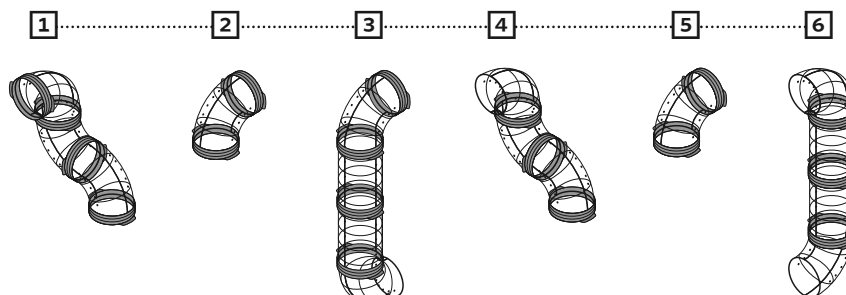
Add the ring on one end to hold pieces together.



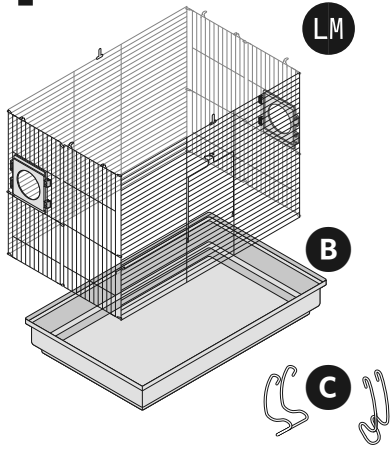
Make the following shape combinations.

Take note that some ends do not finish with rings (see #3, #4, & #6).

They will be used in the assembly in this order.

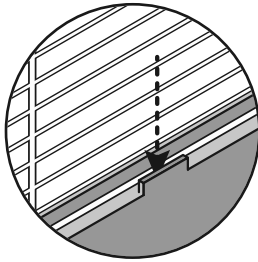


1 PIECES

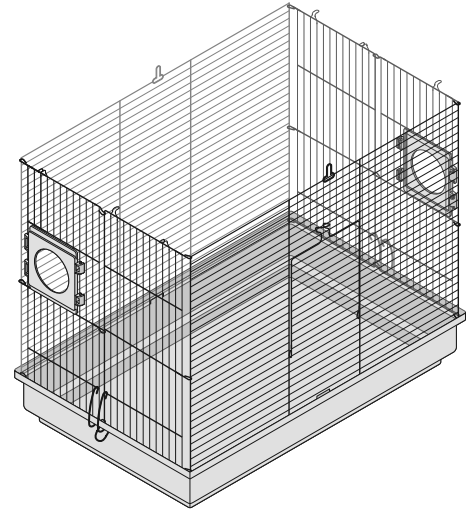
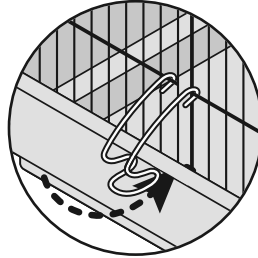


Open the **lower mesh** (sides are equal in height to the front & back panels) to a rectangle.

Set the mesh into the **base**, inserting the panels between the rim and the raised tabs.



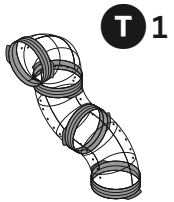
Clip the mesh to the base on both sides of the cage.



2 PIECES

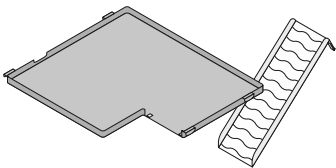


W 1

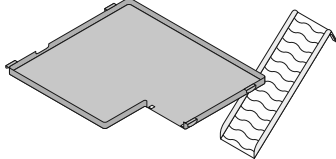


T 1

PR 1



PR 2



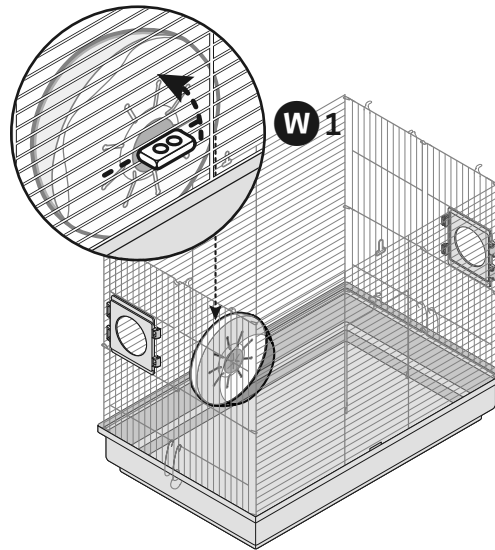
W 2



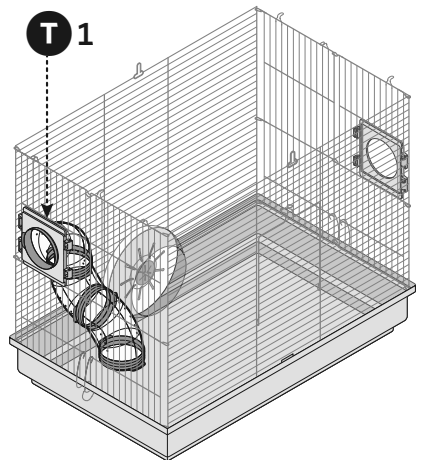
T 2



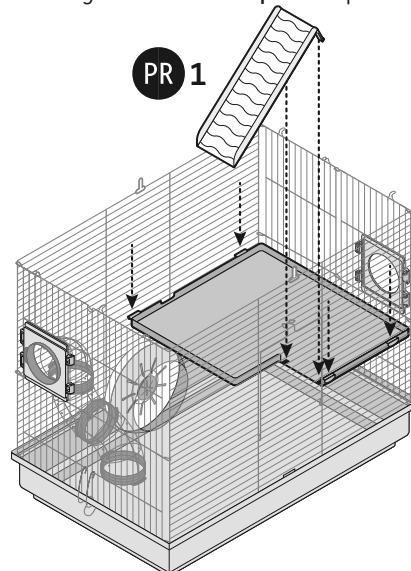
Insert the bar on the back of the **wheel** through the cage wires. Rotate the bar 90° to secure the wheel to the mesh.



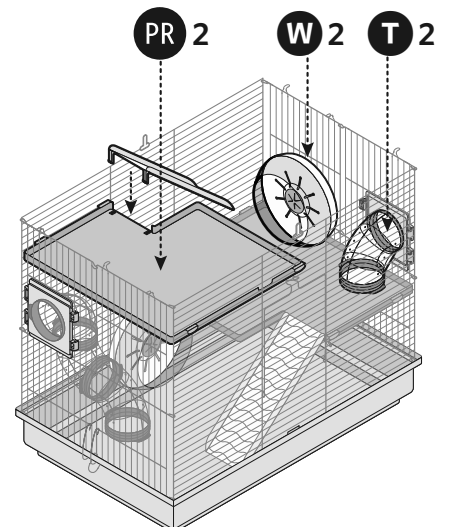
Firmly but gently wiggle the ring on the three-curve **tunnel trail** into the opening of the holder on the side panel.



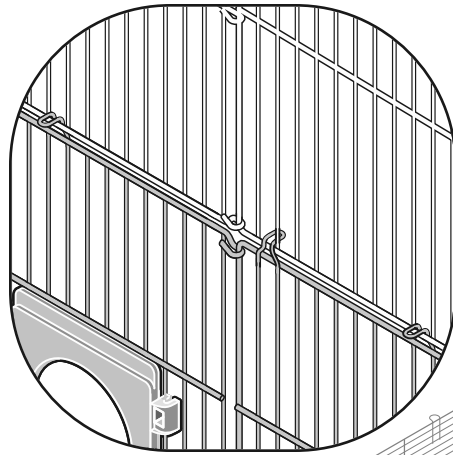
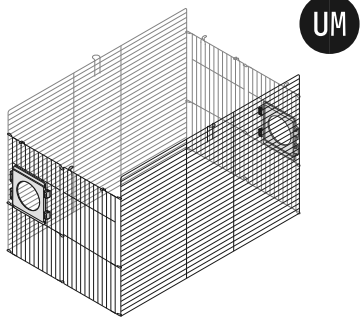
Install a **platform** with the ramp notch in the front, catching all tabs on a horizontal wire at an even height. Add the **ramp** to the platform.



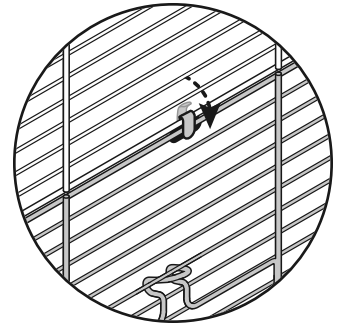
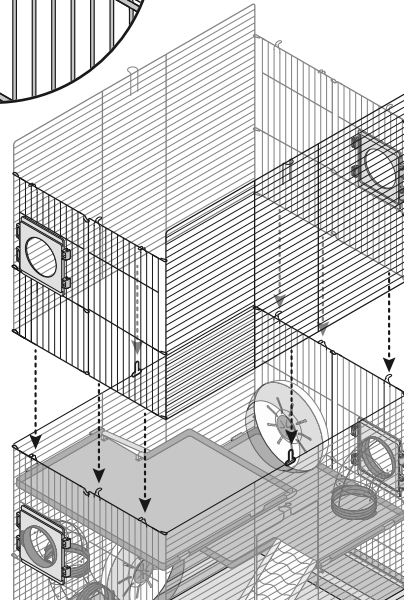
Insert the second **platform** and **ramp**. Install the second **wheel**. Insert a single-curve **tunnel trail** into the holder.



3 PIECES



Start at one end first. Weave the **upper mesh side panel** onto the alternating-direction loops. Finish at the other end using the same method.

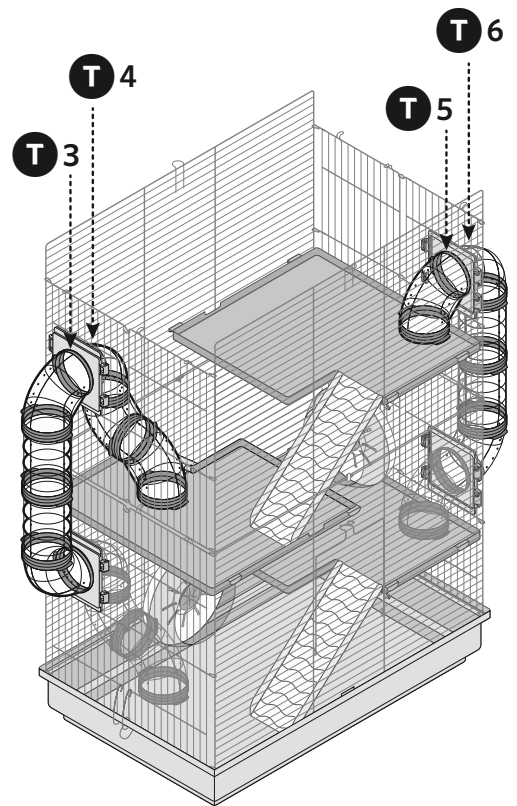
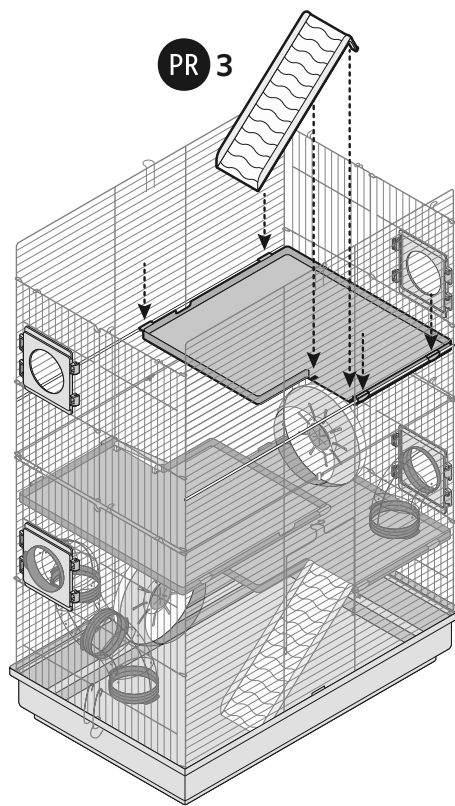
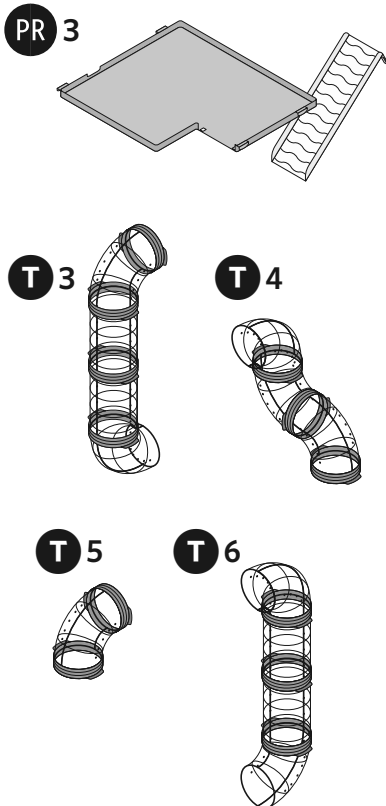


Along the front and back, bend the tab down over both horizontal wires.

4 PIECES

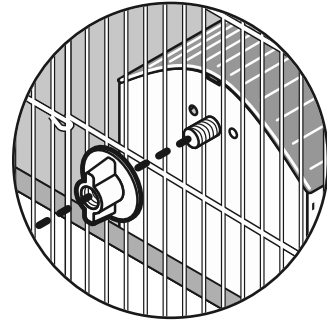
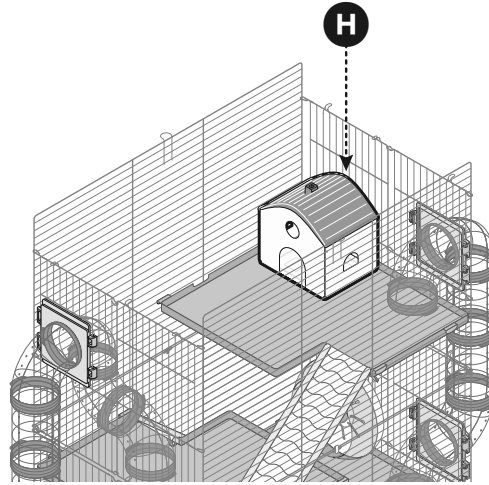
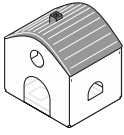
Install the final **platform**. Add the **ramp**.

Insert the remaining **tunnel trails**.



4 continued...

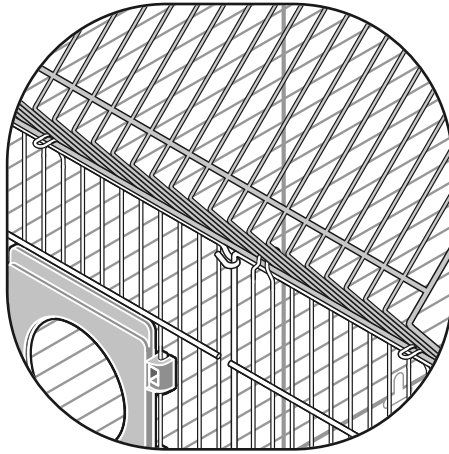
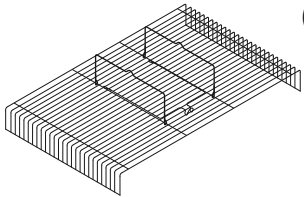
H



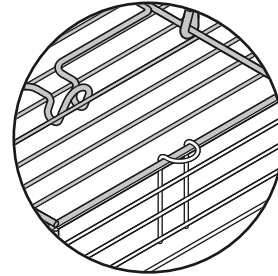
Remove the wing nut. Place the **house** on a platform and poke the screw post through the wires. Replace the wing nut from the cage exterior to secure the house in place.

5 PIECES

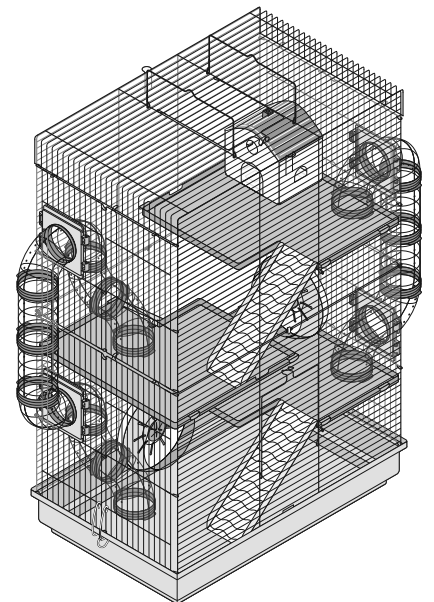
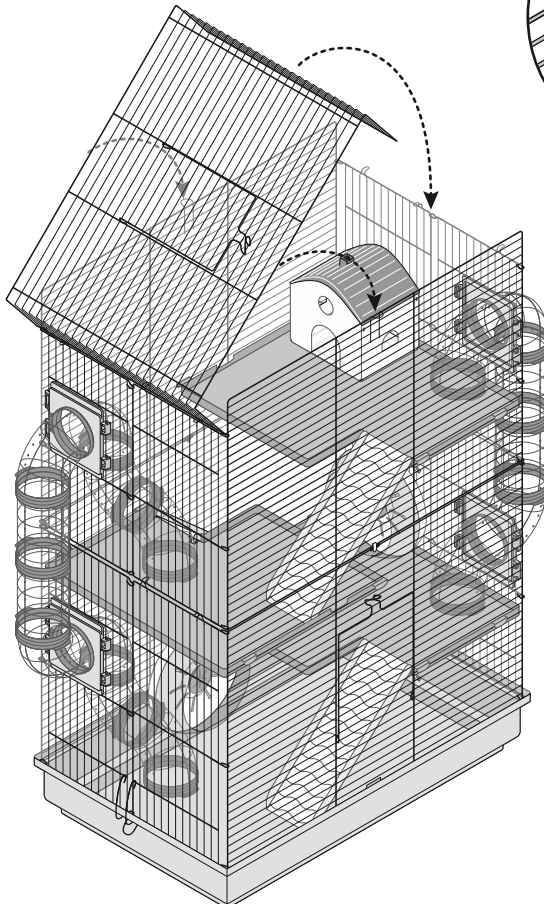
R



Center the **roof** on the cage.
At one end, weave the outer roof wire onto the alternating-direction loops on the side panel. Softly bend the roof mesh to catch the roof line onto the front and back panel loops. Finish by weaving the roof onto the alternating-direction loops on the opposite end.



Center front detail



Assembly completed.