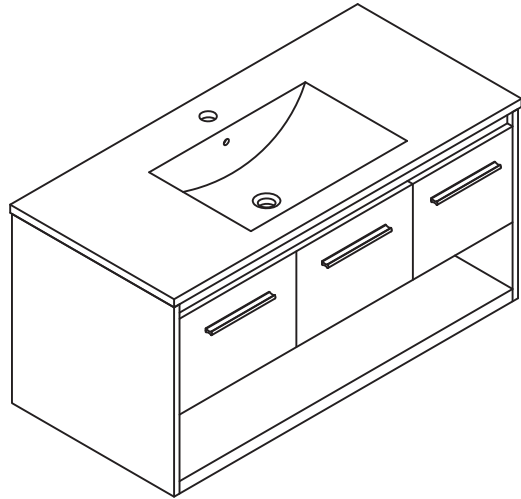
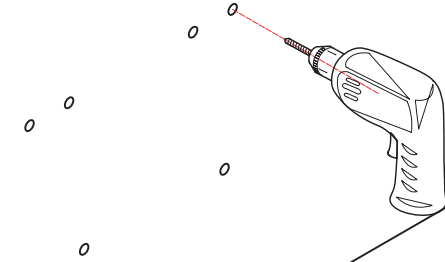


ASSEMBLY INSTRUCTIONS



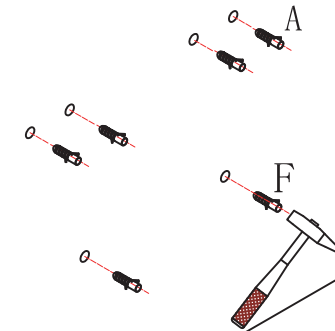
Step 1

Wall









Step 2

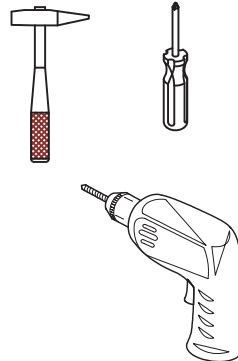
Wall



Hardware

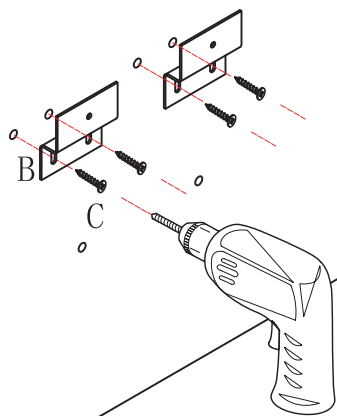
| NO. | Parts | QTY | NO. | Parts | QTY |
|-----|--|-----|-----|--|-----|
| A |  (M6*1.18") | 4 | D |  (T4*0.55") | 2 |
| B |  | 2 | E |  (M6*2.36") | 2 |
| C |  (T4*1.38") | 4 | F |  (M8*1.57") | 2 |

Tools

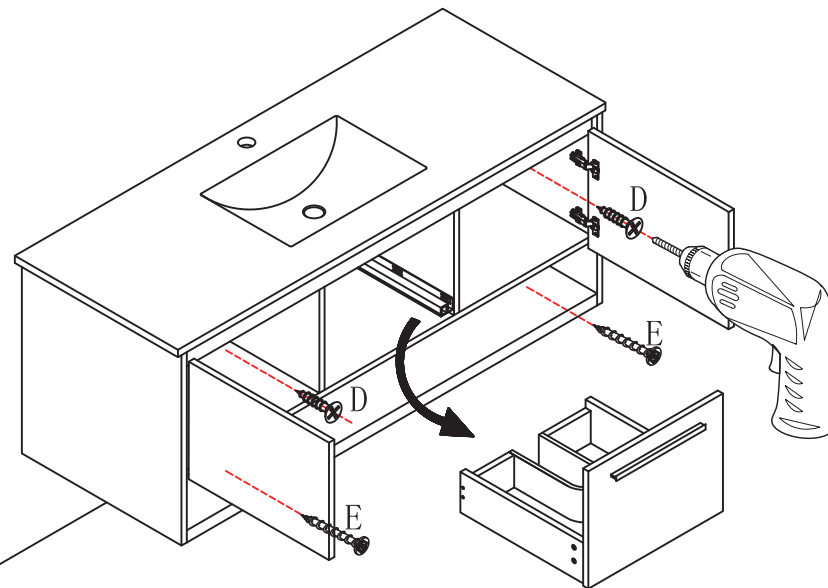


Step 3

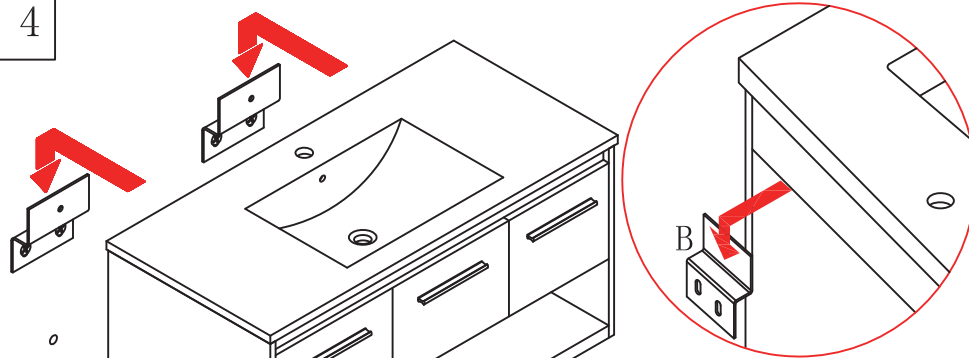
Wall



Step 5



Step 4



Finished

