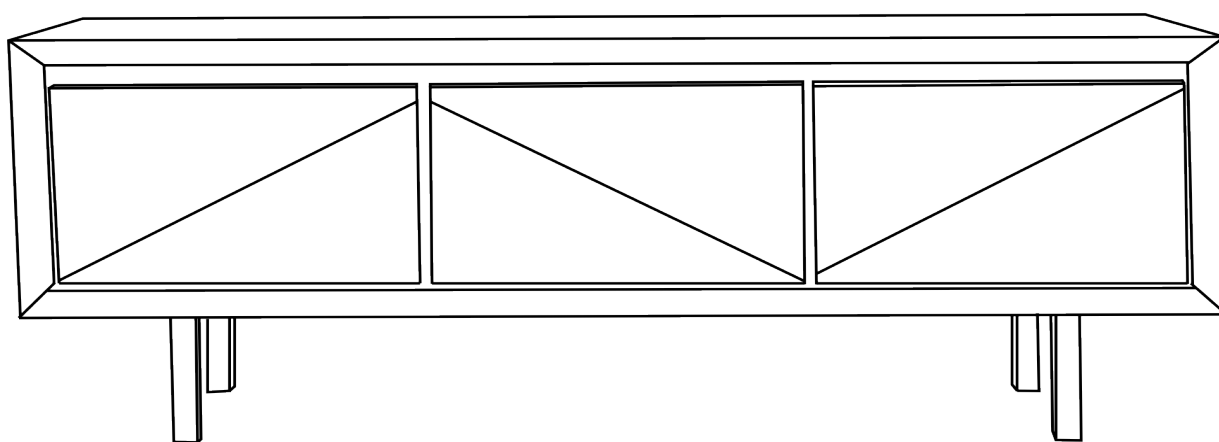


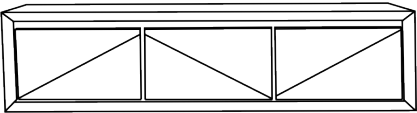
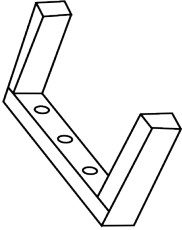
# Assembly Instructions

Caution : You must read this before you proceed




## TV BOARD



### Parts List

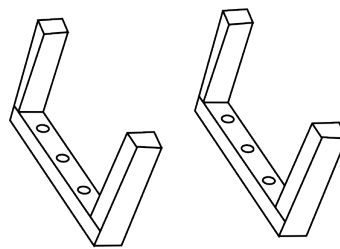
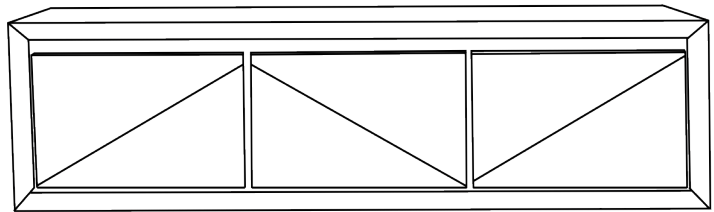
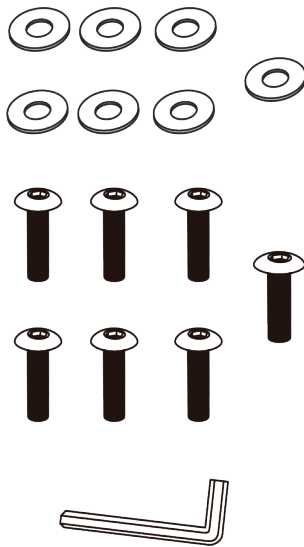
Lable	Picture	Description	Qty
A		Wooden Cabinet	1
B		Metal Leg	2

# Hardware

Lable	Picture	Description	Qty
①		Washer	7
②		Bolt 6.0X20.0 mm	7
③		Allen Key	1

# Assembly Preparation

Before  
Beginning  
Assembly:



- Read instructions, cover to cover-



- Have 2 adults on hand for assembly-



- Do not assemble on flooring or carpet-



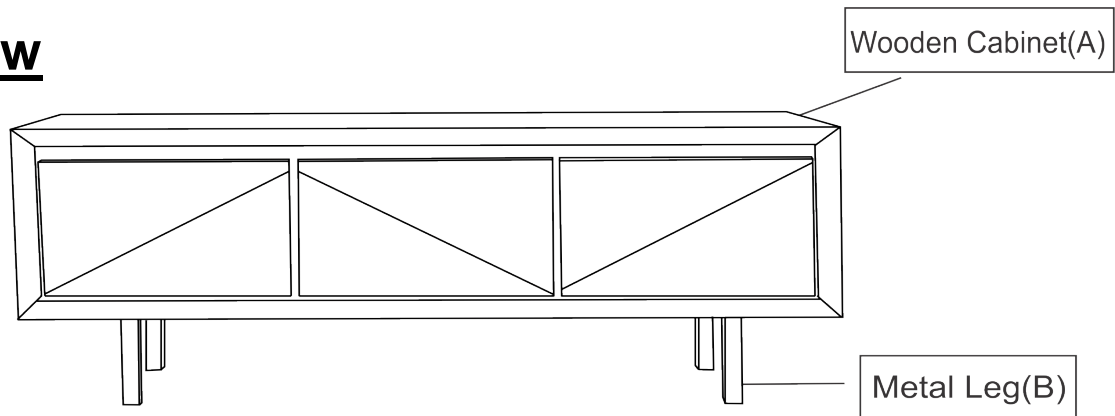
- Assemble on a clean non-marring surface (packing foam)-



- Save all packaging until finished-

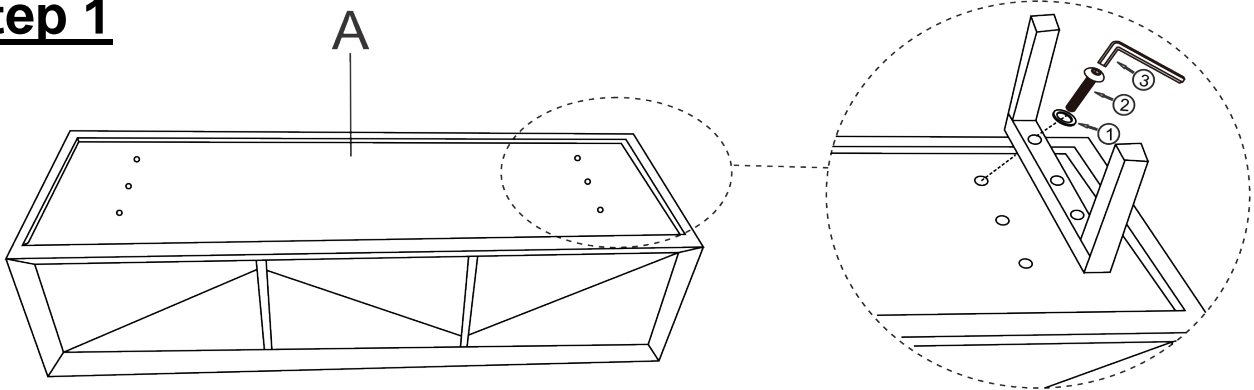
# Assembly Steps

## Overview



This Tv Borad has multiple parts and may require up to some 30 minutes to assemble. The above picture is to help you in putting various parts into perspective. Please read through the instructions below to familiarise yourself with the parts and steps before assembly.

## Step 1

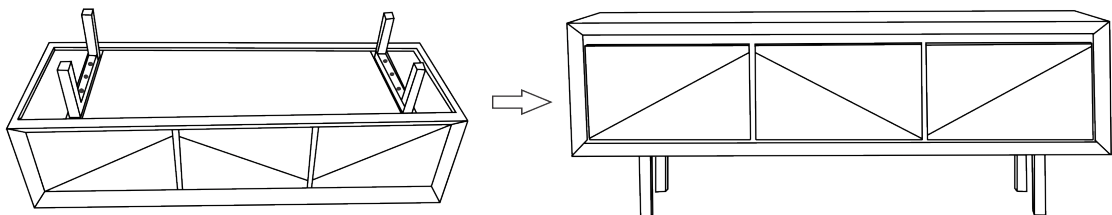


With assistance from your adult partner, place the Wooden Cabinet (A) face down as picture, on a clean, non-marring surface. As shown in "Step 1" picture attach Metal Leg (B) to Wooden Cabinet (A) using Washers (①) Bolt (②) with Allen Key (③).

Tighten the Bolt fully in a sequential manner.

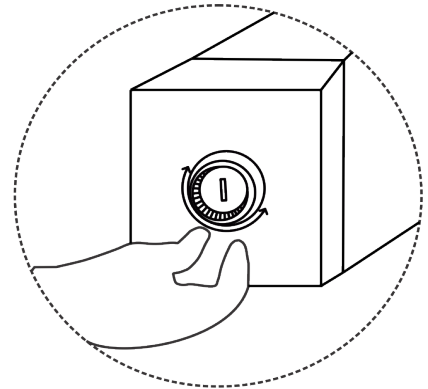
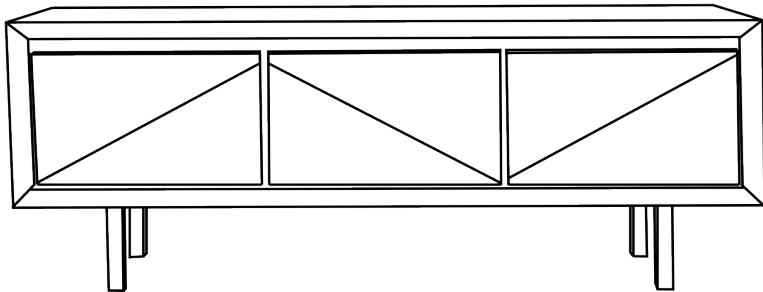
Repeat the same process to assembly remaining Leg (B)

## Step 2



Flip the Cabinet as Shown in "Step 2"

### Step 3













In case if the floor is uneven, adjust levellers on the underside of the legs up or down to compensate.

Once the Tv Board is assembled, the levellers can be adjusted turning the knob as shown in the "Step 3".

This Tv Board is now ready to use.

**Caution : This Tv Board can only be used on flat, level surface.**

## Care & Maintenance

- ⊘  ● Do not put hot items directly on furniture surface.
- ⊘  ● Do not clean furniture with harsh cleansers or polish.
- ⊘  ● Do not place furniture under direct sunlight.
- ⊘  ● Do not place furniture near heating or cooling vents.
- ⊘  ● Do not write on furniture without a padded barrier to protect the surface.
- ⊘  ● Do not place furniture outside. For indoor use only.
- ⊘  ● Not for commercial use. For residential use only.
- ⊘  ● Stains may be removed with mild soap solution and damp cloth.
- ⊘  ● Children should not climb or jump on furniture.
- ✓  ● Dust and pick-up spills using a clean, non-colored, lint-free cloth.