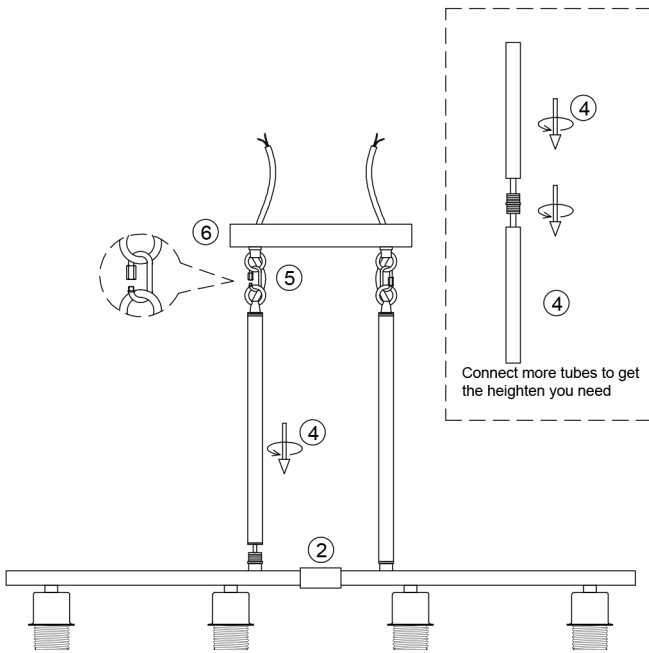


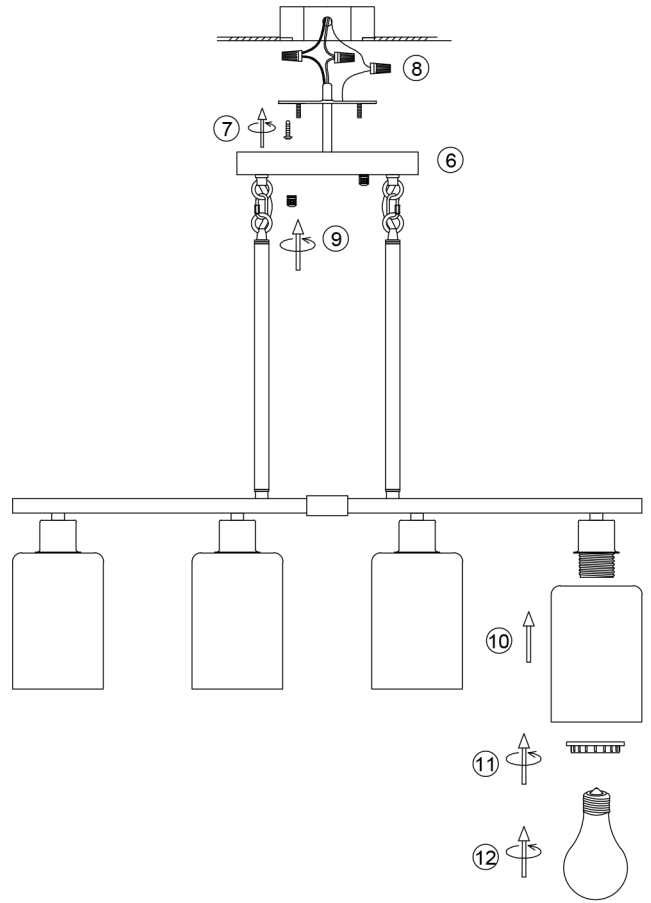
Put arm 1 and fixture 2 on a flat surface, adjust two arms in a proper position to make the whole fixture straight, after that fixed both arms with grub screw

1. Install the arm 1 to the fixture 2 with grub screw 3.



Connect more tubes to get the heighten you need

2. Let the wire go through the hanging tube 4, rotate to fasten the tube on the fixture 2, connect the fixture and the canopy 6 with carabiner hook screw connection 5, after that let the wire go through canopy 5.  
(connect more tubes to get suitable heighten)



3. Install the bracket 7 on the junction box with screw.  
4. Connect the wire to your home line .  
5. Install the fixture 6 on the bracket with cap nuts 9.  
6. Install the glass lampshades 10 with ring 11, after that install the bulbs 12.

**One wire is labeled L = live wire = Black one**

**One wire is labeled N = That is ground / neutral = White one**

**Please read carefully before installation!!!**

**Note : Please make sure that the electricity is powered off during installation !**

**Only a professional electrician should install this kind of product !**