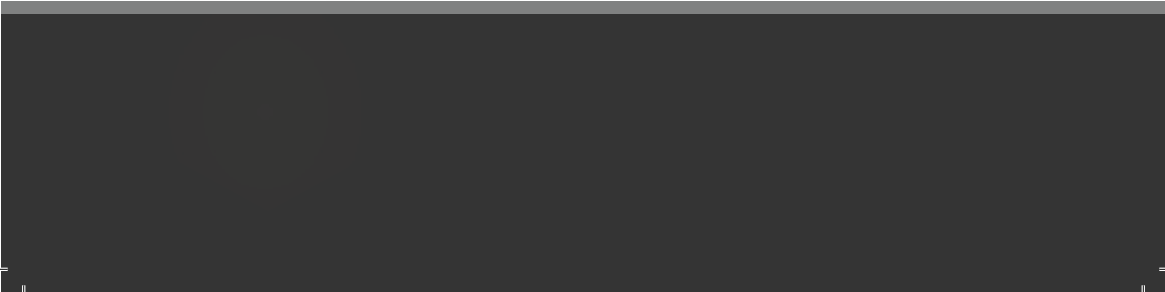
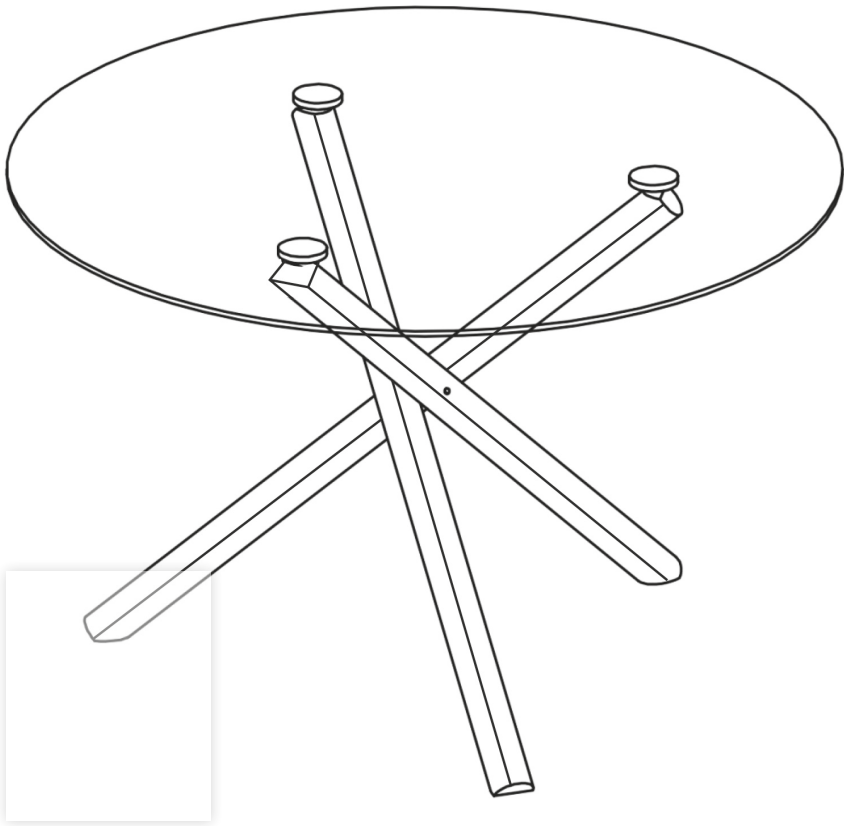


ASSEMBLY GUIDE



Important - Please read these instructions fully before starting assembly



SAFETY AND CARE ADVICE



NO POWER TOOLS

SAFETY AND CARE ADVICE

- Check you have all the components and tools listed.
- Remove all fittings from the plastic bags and separate them into their groups.
- We do not recommend the use of power drills/drivers for inserting screws, as this could damage the unit. Only use hand screwdrivers and Allen keys.
- Keep children and animals away from the work area, small parts could cause choking if swallowed.
- Make sure you have enough space to layout the parts before starting.
- Assemble the item as close to its final position (in the same room) as possible.
- Do not overtighten the nuts to avoid causing damage to the threads.
- Only clean using a damp cloth and mild detergent, do not use bleach or abrasive cleaners.
- From time to time check that there are no loose screws on this unit
- This product should not be discarded with household waste. Take to your local authority waste disposal centre

IMPORTANT INFORMATION



TWO
PERSON



45 MINUTE
BUILD



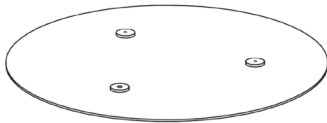
GLASS



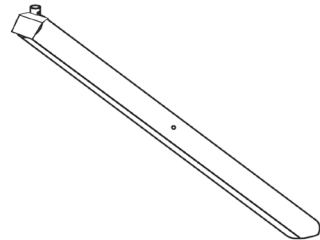
MAXIMUM
CAPACITY 100Kg








PLEASE CHECK CAREFULLY AND MAKE SURE YOU HAVE ALL FITTINGS AND TOOLS LISTED BELOW BEFORE YOU START.

1 x 1 TableTop



2 x 3 TableLegs



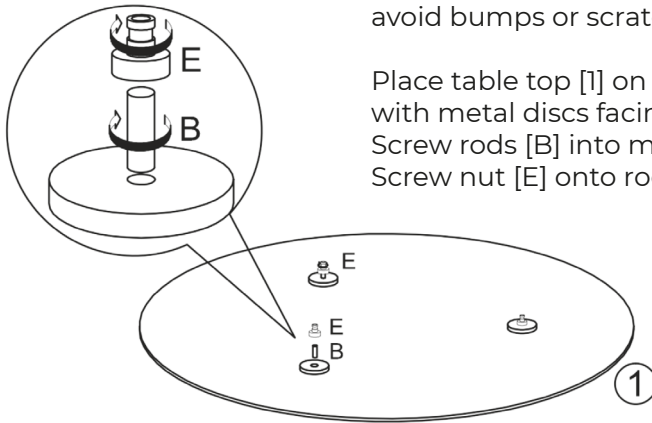
<p>(A)</p>  <p>Screws M8*50 x3</p>	<p>(B)</p>  <p>Rod M8*25 x3</p>	<p>(C)</p>  <p>Rod M6*8 x3</p>
<p>(D)</p>  <p>x1</p>	<p>(E)</p>  <p>x3</p>	 <p>Allenkey x1</p>
 <p>Allenkey x1</p>		

NOTE: The quantities above are the correct amount to complete the assembly. In some cases more fittings may be supplied than are required.

STEP 1

Use a clear, flat, soft surface to avoid bumps or scratches.

Place table top [1] on flat surface with metal discs facing upwards. Screw rods [B] into metal discs. Screw nut [E] onto rods.

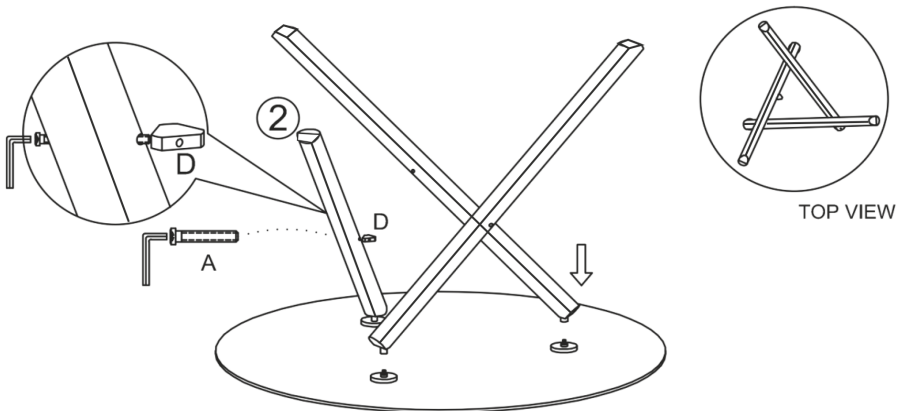


STEP 2

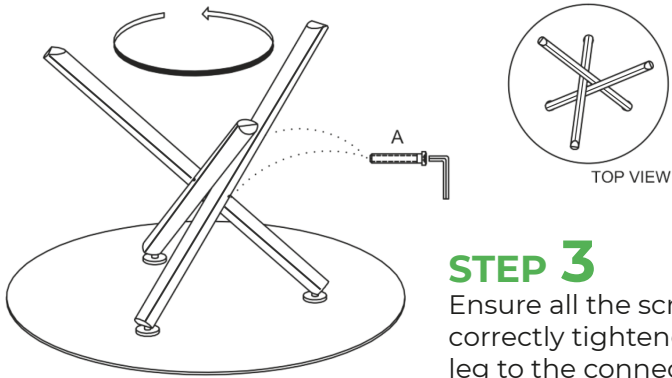
Put the legs [2] onto the rods and nuts.

Connect the legs together in the middle using the triangular connecting plate [D] and the 3 x long screws [A]

ATTENTION: Be careful not to fully tighten fixings yet.



FULL ASSEMBLY INSTRUCTIONS

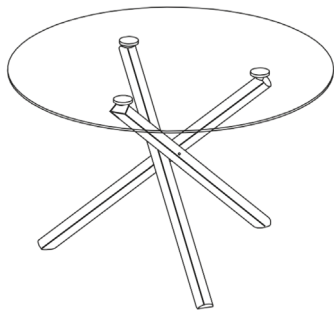
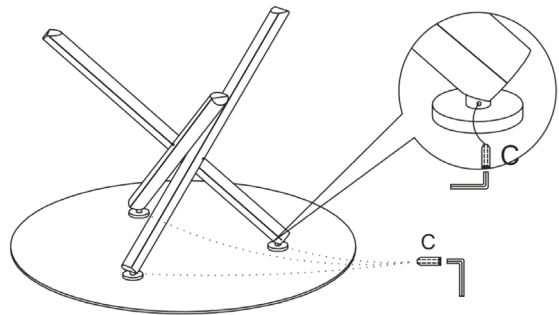


STEP 3

Ensure all the screws are correctly tightened to hold each leg to the connecting plate.

STEP 4

Next, insert rods [C] into holes on the table legs at the table-top-end, and tighten to ensure legs are properly fixed to table top. Now go back and fully tighten all screws and bolts including at the triangular connecting plate [D]



STEP 5

ATTENTION: With the help of another person, carefully turn the table over to complete assembly. Your table is now ready to use.