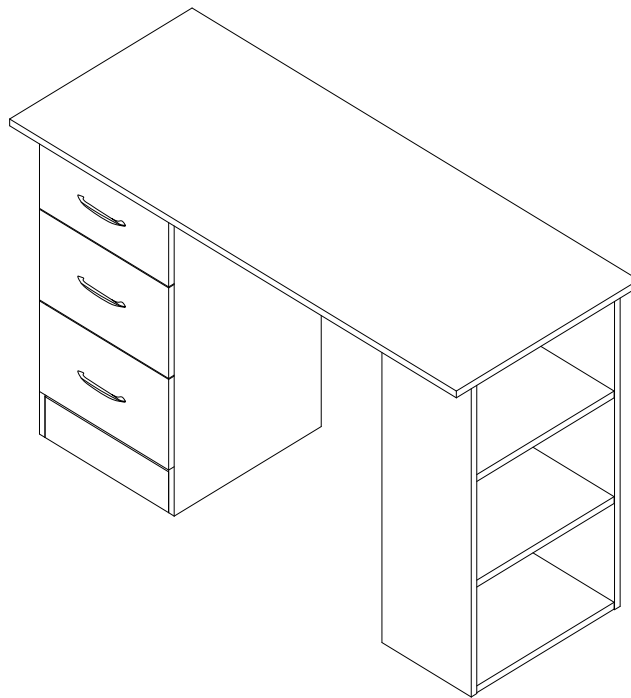
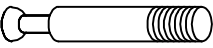




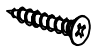

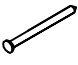




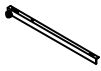


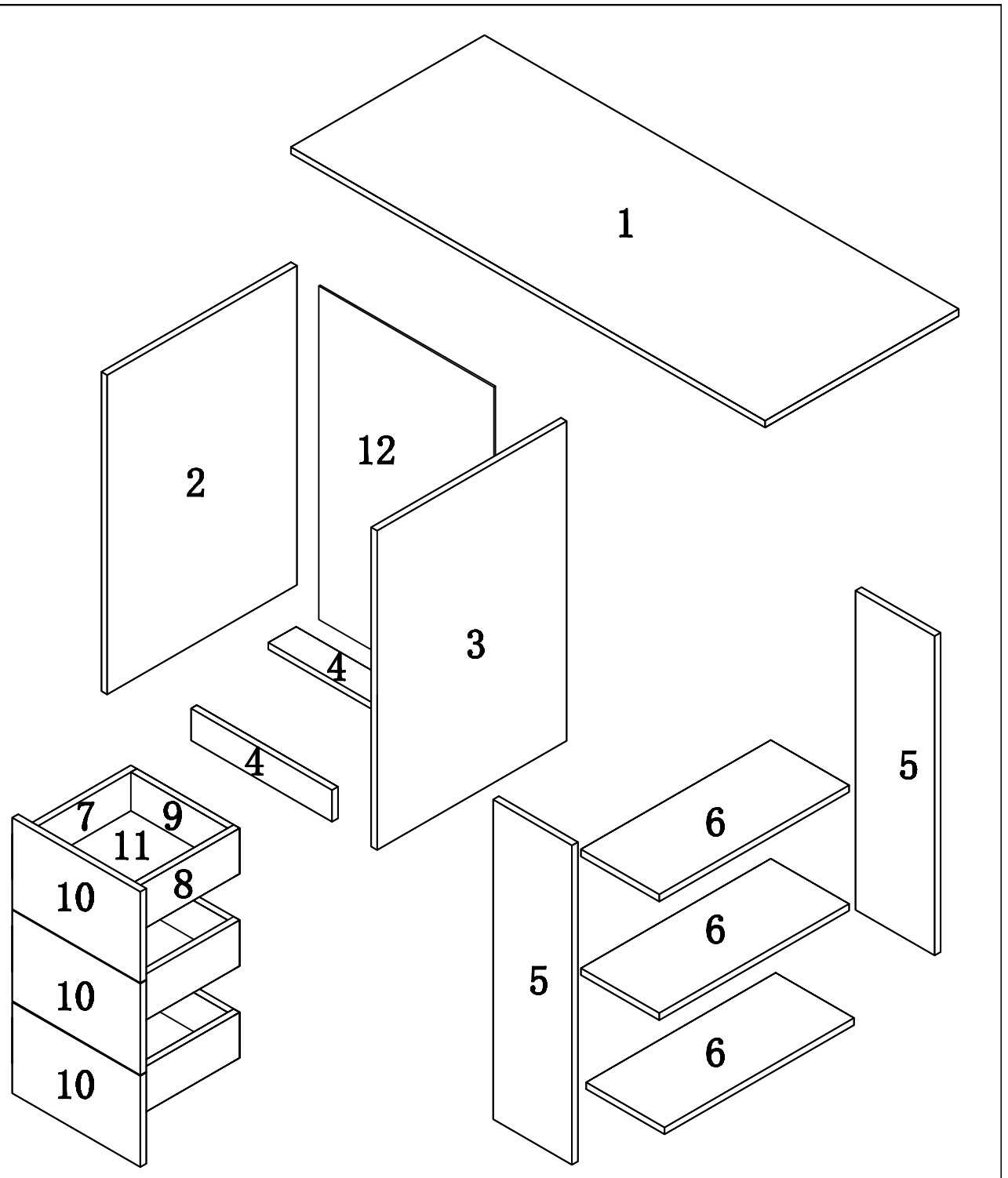
# Assembly Instructions



## Special Warnings:

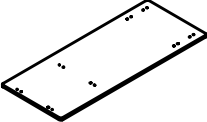
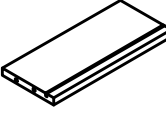
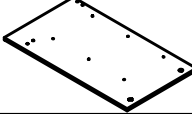
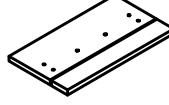
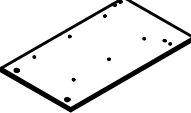
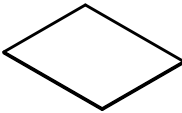
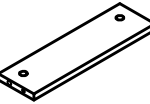
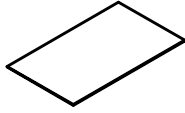
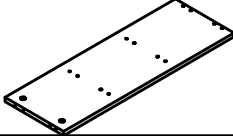
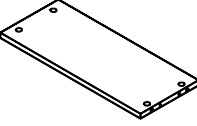
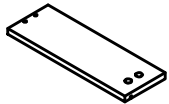
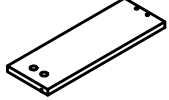
- \* Please check that all parts are present before you start the assembly.
- \* For the protection of your furniture, place all parts on a clean and smooth surface to prevent any damage.
- \* For cleaning, wipe the surface with a damp (not wet) cloth or wipe dry with a clean lint free cotton cloth. Window cleaning liquid or a similar cleaning liquid can be used to clean the surface.
- \* This unit is heavy. Please use an assistant when lifting. Never drag or push the pieces across the floor as this will cause damage to the joints.
- \* Keep your furniture out of direct sunlight.

HARDWARE LIST			
NO.	DESCRIPTION		QTY
A		M6X34MM	36
B		M15X12MM	36
C		M6X30MM	24
D		Handle	3
E		M3.5X14MM	36
F		M4X38MM	12
G		Nail Leg	8
H		Neil pin	15
I		M4X18MM	6
J		Outer Drawer Runner - Right	3
K		Outer Drawer Runner - Left	3
L		Inner Drawer Runner - Right	3
M		Inner Drawer Runner - Left	3



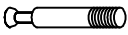
## PARTS LIST

## PARTS LIST

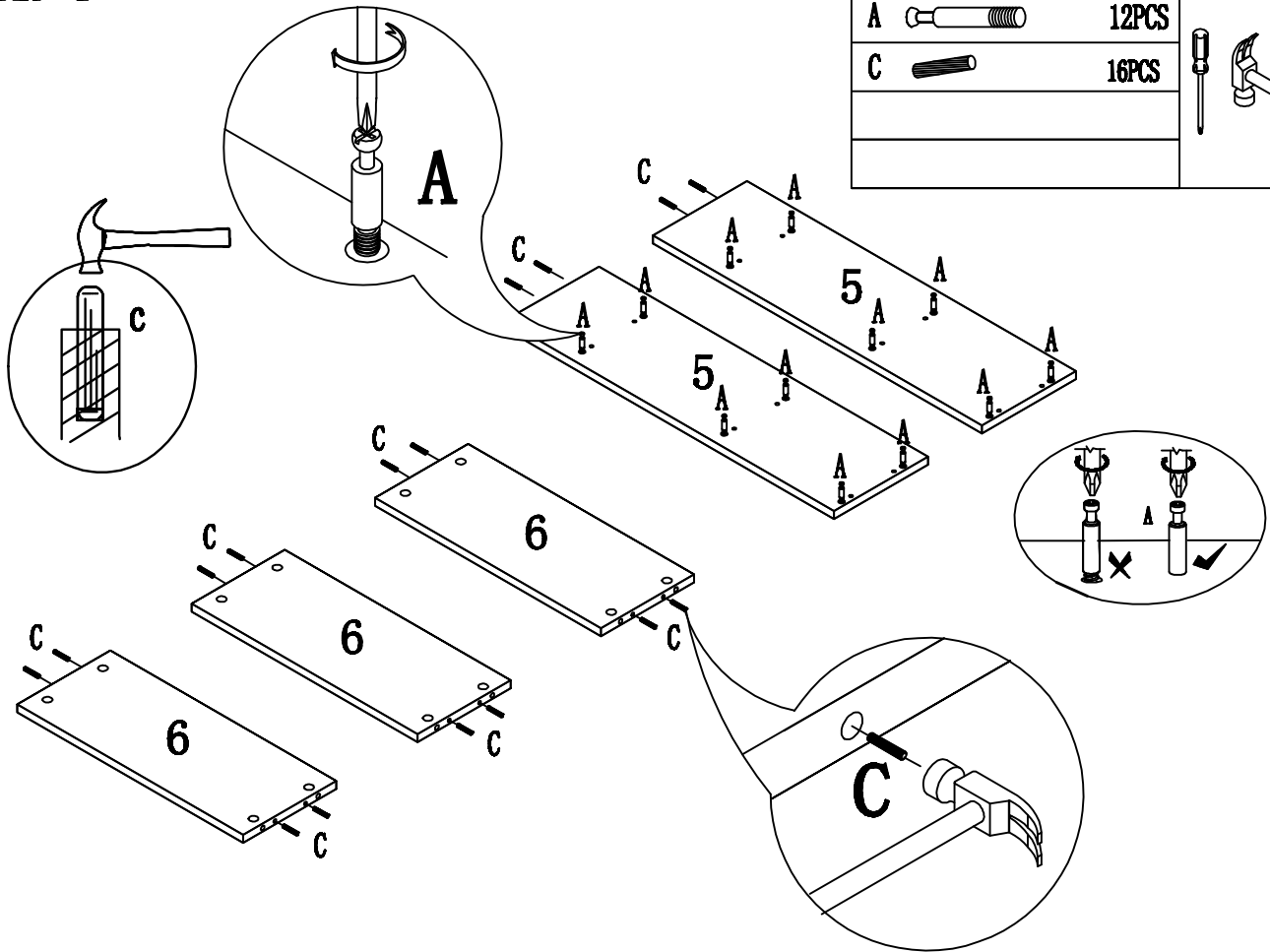
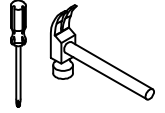
NO.	DESCRIPTION	QTY	NO.	DESCRIPTION	QTY
1		1	9		3
	1200MM*500MM*15MM			276MM*120MM*15MM	
2		1	10		3
	700MM*394MM*15MM			360MM*200MM*15MM	
3		1	11		3
	700MM*394MM*15MM			286MM*345MM*3MM	
4		2	12		1
	332MM*95MM*15MM			610MM*362MM*3MM	
5		2			
	700MM*240MM*15MM				
6		3			
	368MM*238MM*15MM				
7		3			
	350MM*120MM*15MM				
8		3			
	350MM*120MM*15MM				

# STEP 1

## HARDWARE LIST

A  12PCS

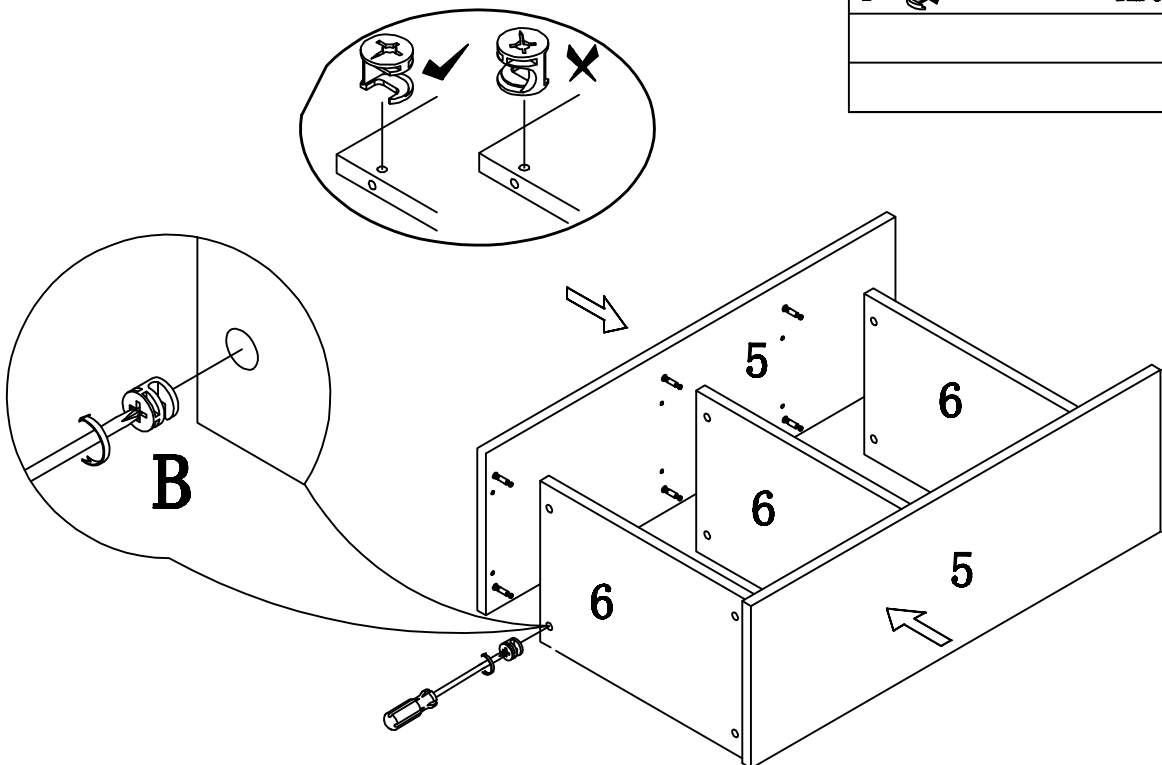
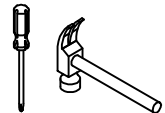
C  16PCS



# STEP 2


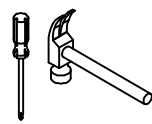
## HARDWARE LIST

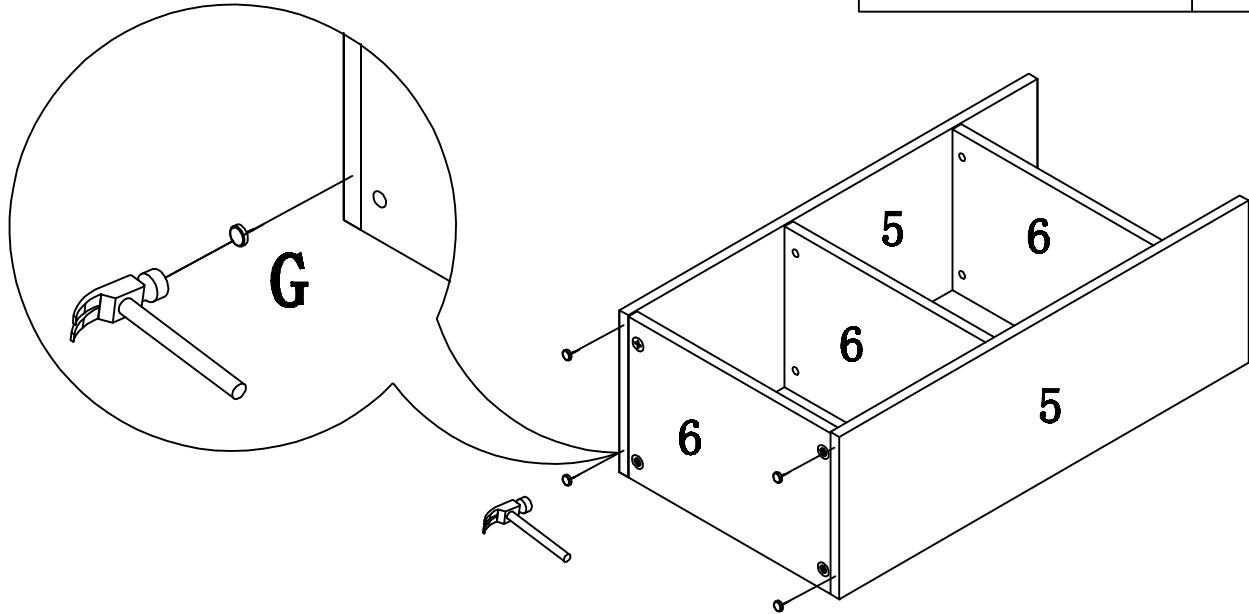
B  12PCS



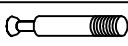
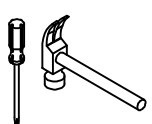




# STEP 3

## HARDWARE LIST

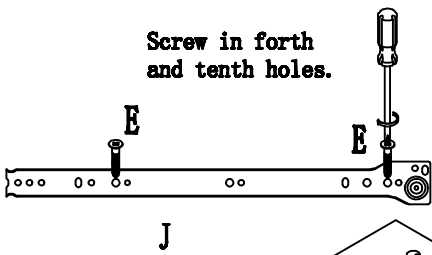
G		4PCS	



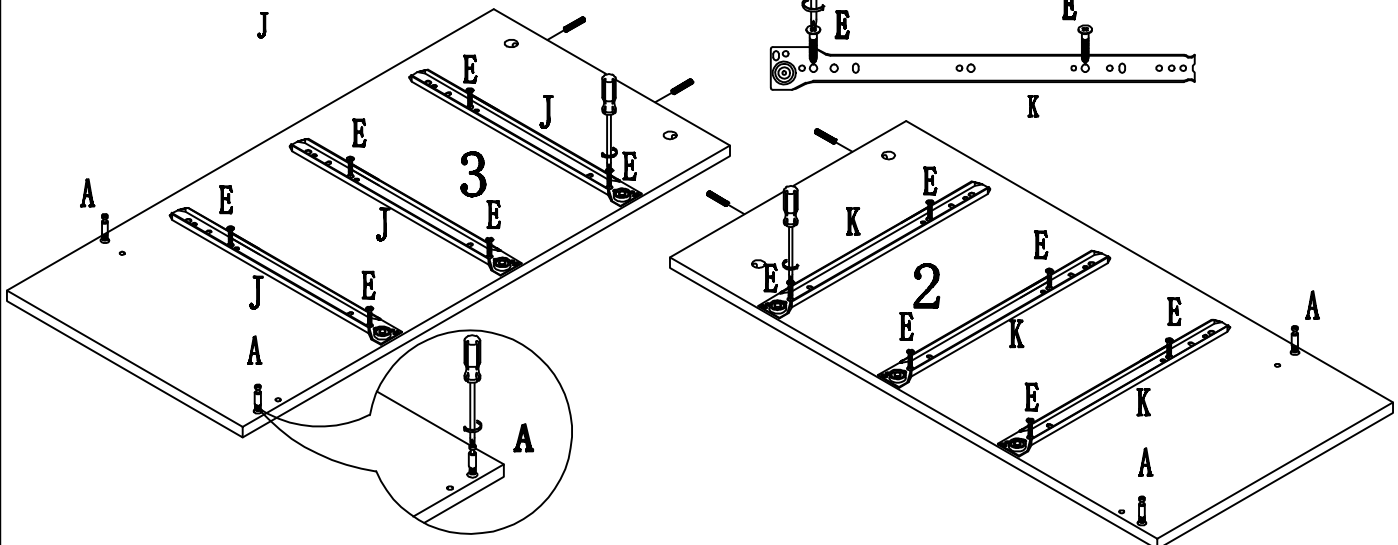
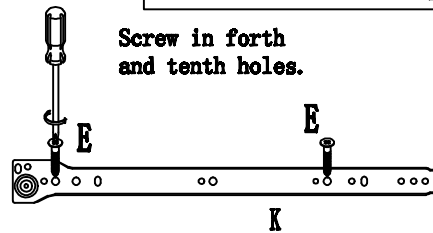
# STEP 4

A		4PCS	
E		M3.5 12PCS	
J		3PCS	
K		3PCS	
C		4	

Screw in forth and tenth holes.





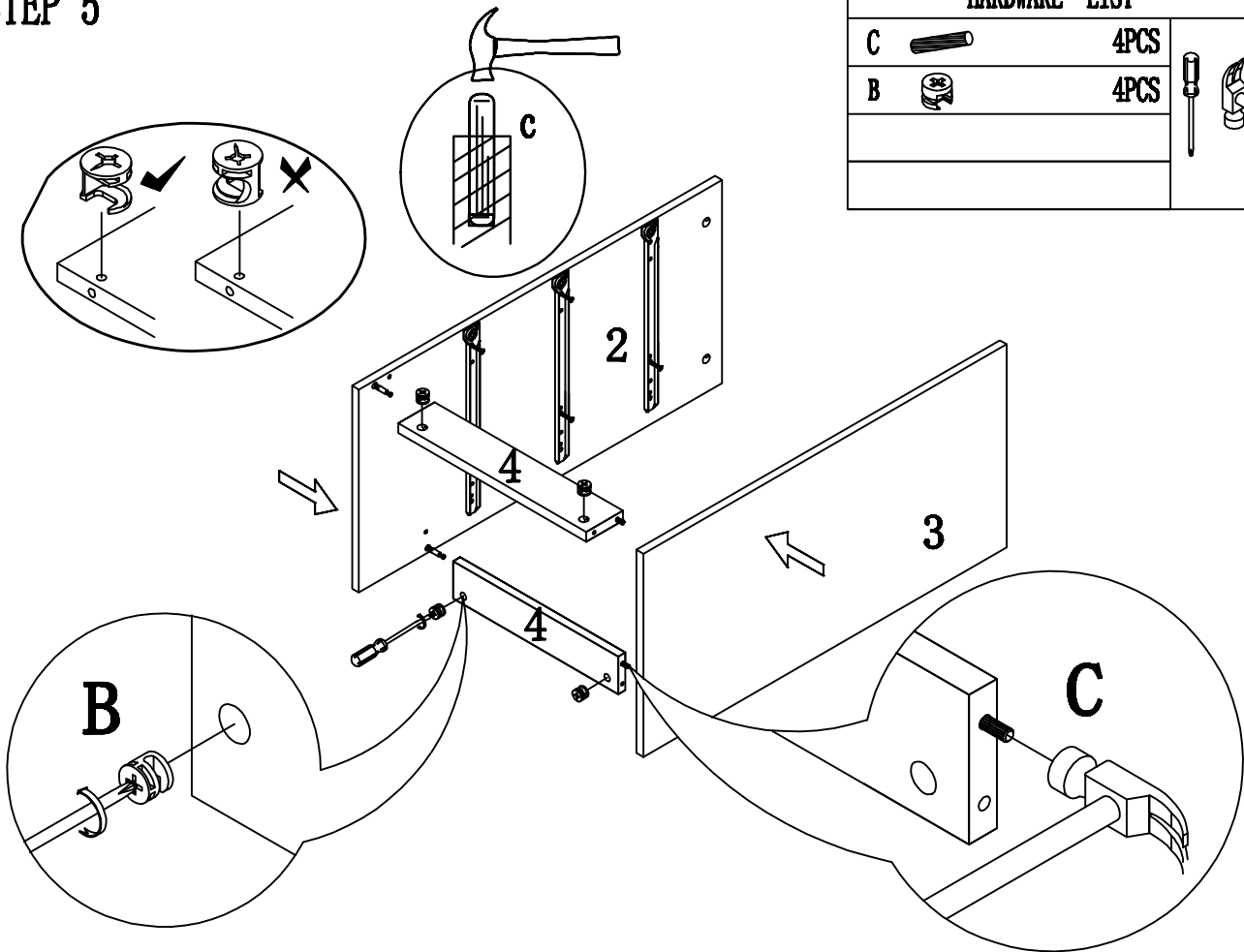
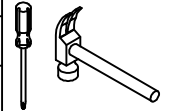
Screw in forth and tenth holes.



# STEP 5

## HARDWARE LIST

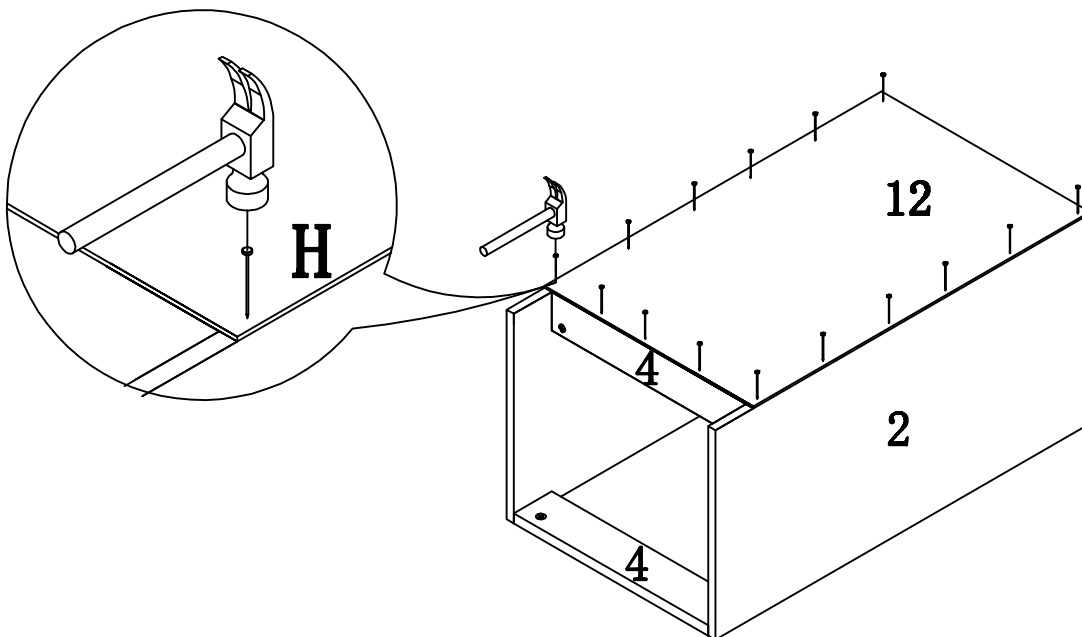
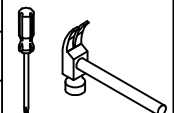
C		4PCS
B		4PCS



# STEP 6

## HARDWARE LIST

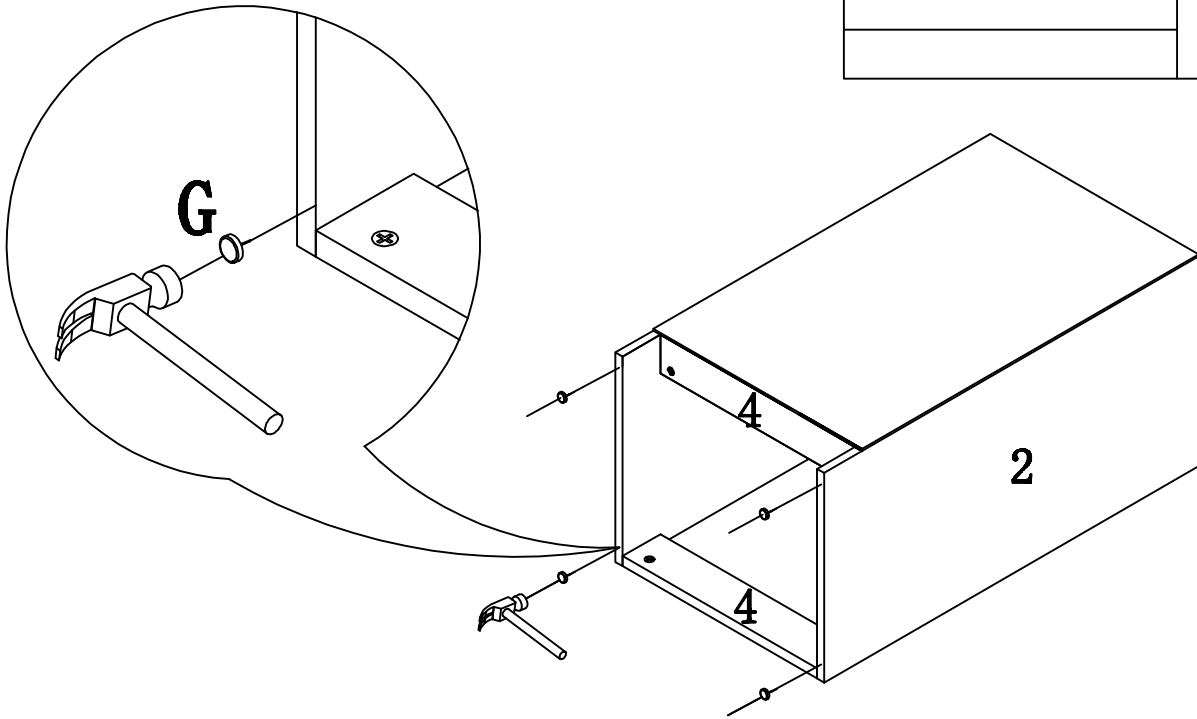
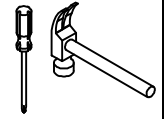
H		15PCS
---	---	-------



# STEP 7

## HARDWARE LIST


**G**  **4PCS**

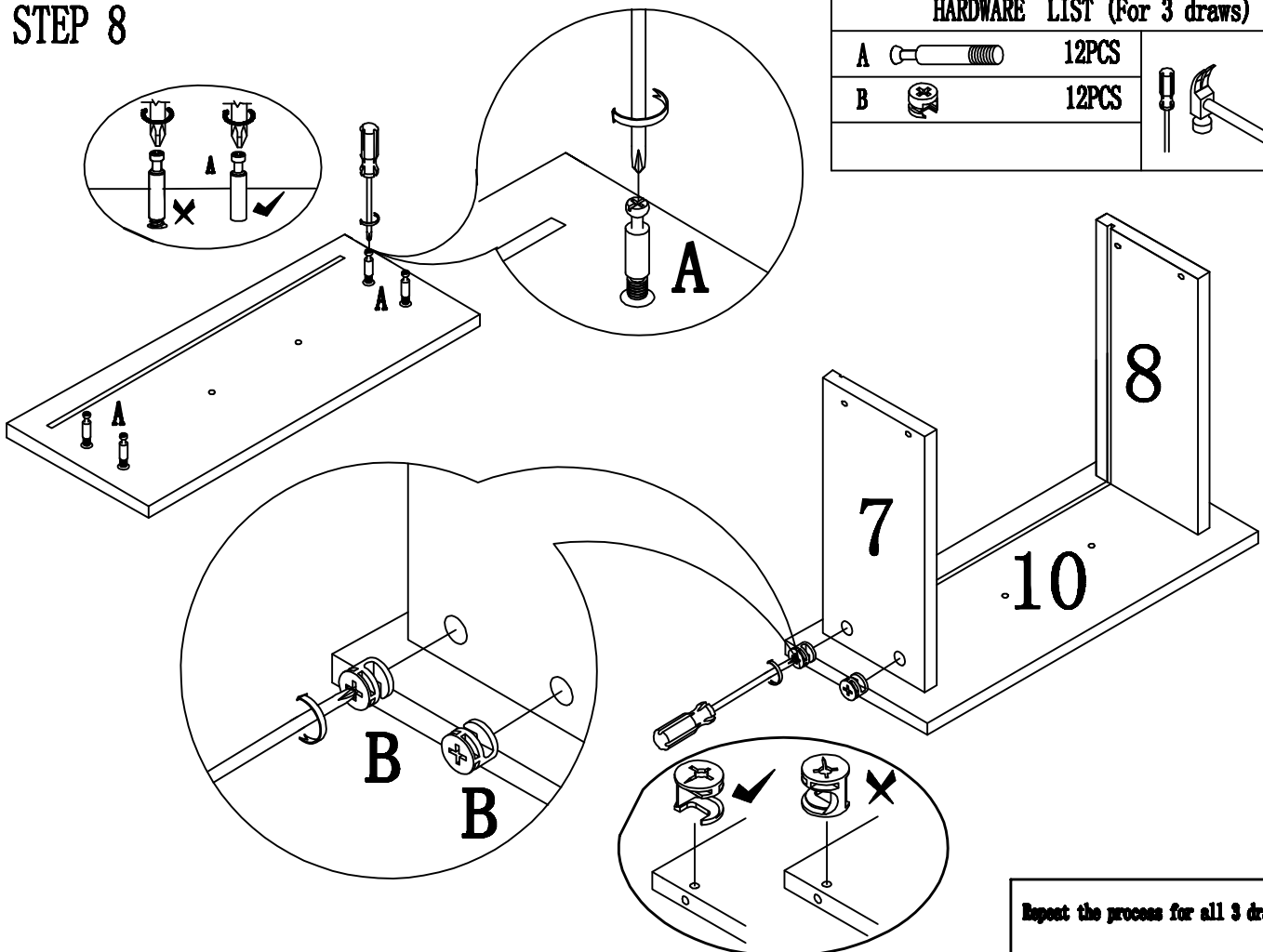
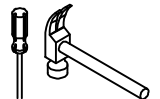


# STEP 8

## HARDWARE LIST (For 3 draws)

**A**  **12PCS**

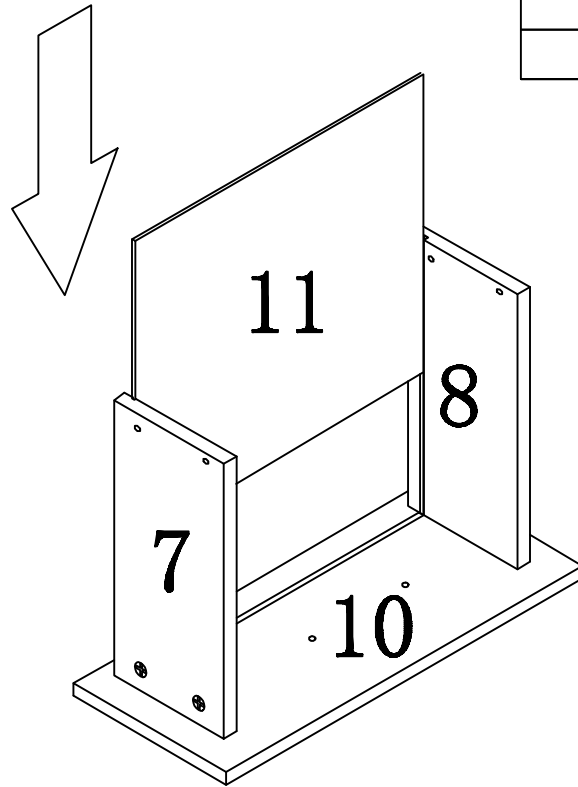
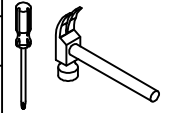
**B**  **12PCS**



Repeat the process for all 3 draws

# STEP 9

## HARDWARE LIST (For 3 draws)

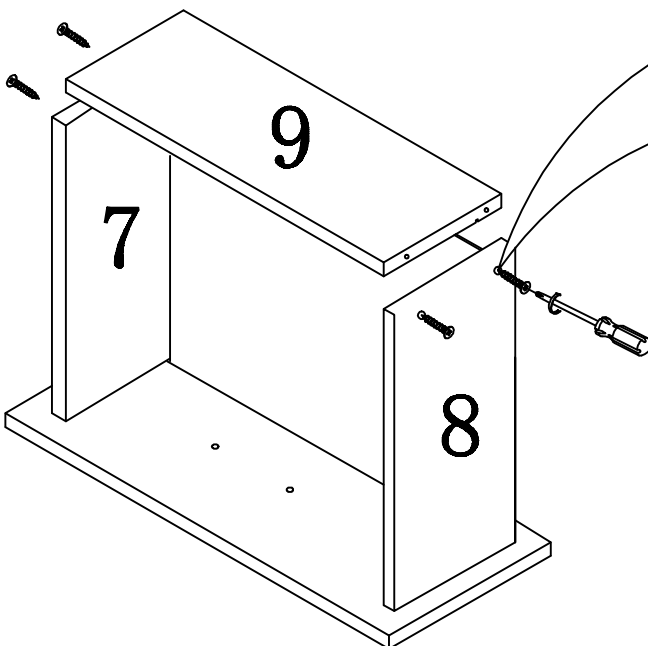
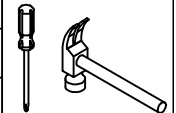


Repeat the process for all 3 draws

# STEP 10

## HARDWARE LIST (For 3 draws)

F  4M 12PCS



Repeat the process for all 3 draws

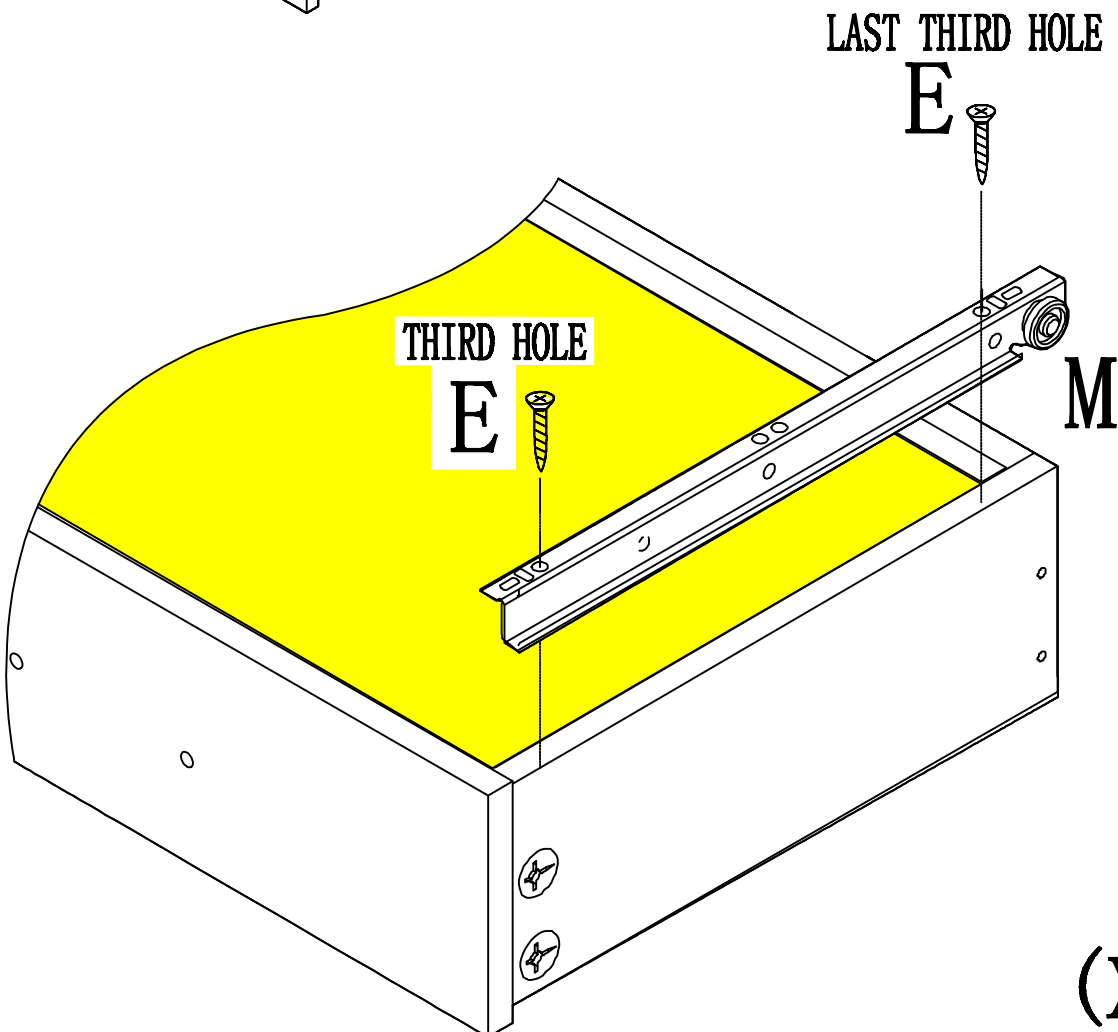
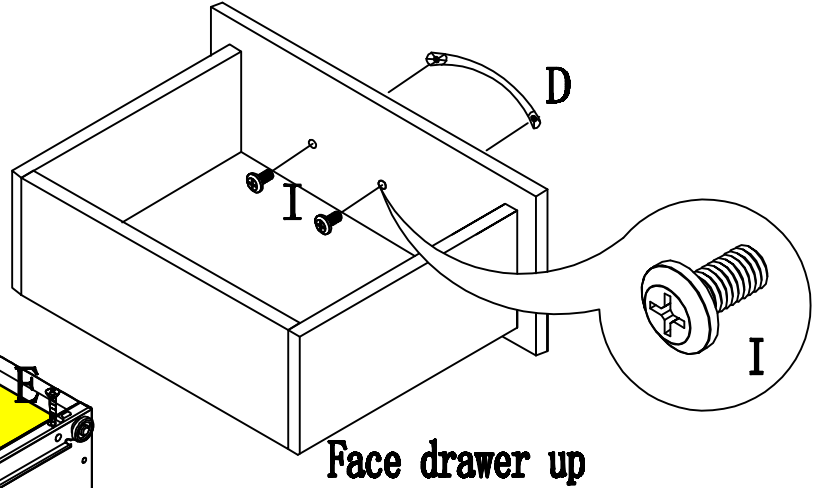
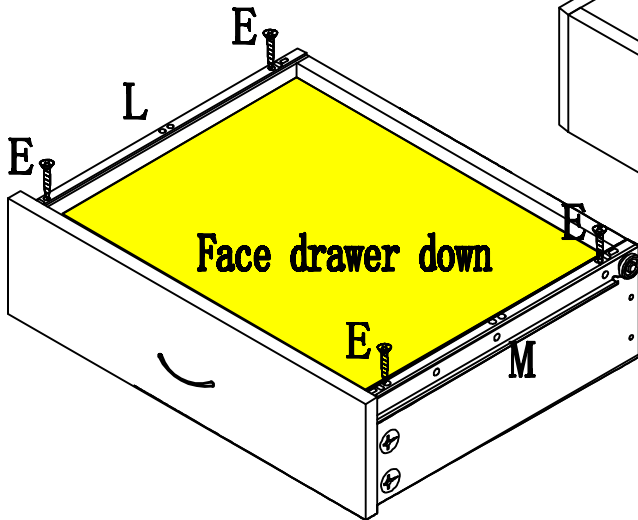
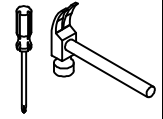
# STEP 11



Pls turn the drawer upside down to fit the runners and make sure the runner wheels go at the **BACK** of the drawers, failure to assemble correct way will misalign the drawers.

## HARDWARE LIST

E		M3.5	12PCS
I			6PCS
D			3PCS
L			3PCS
M			3PCS

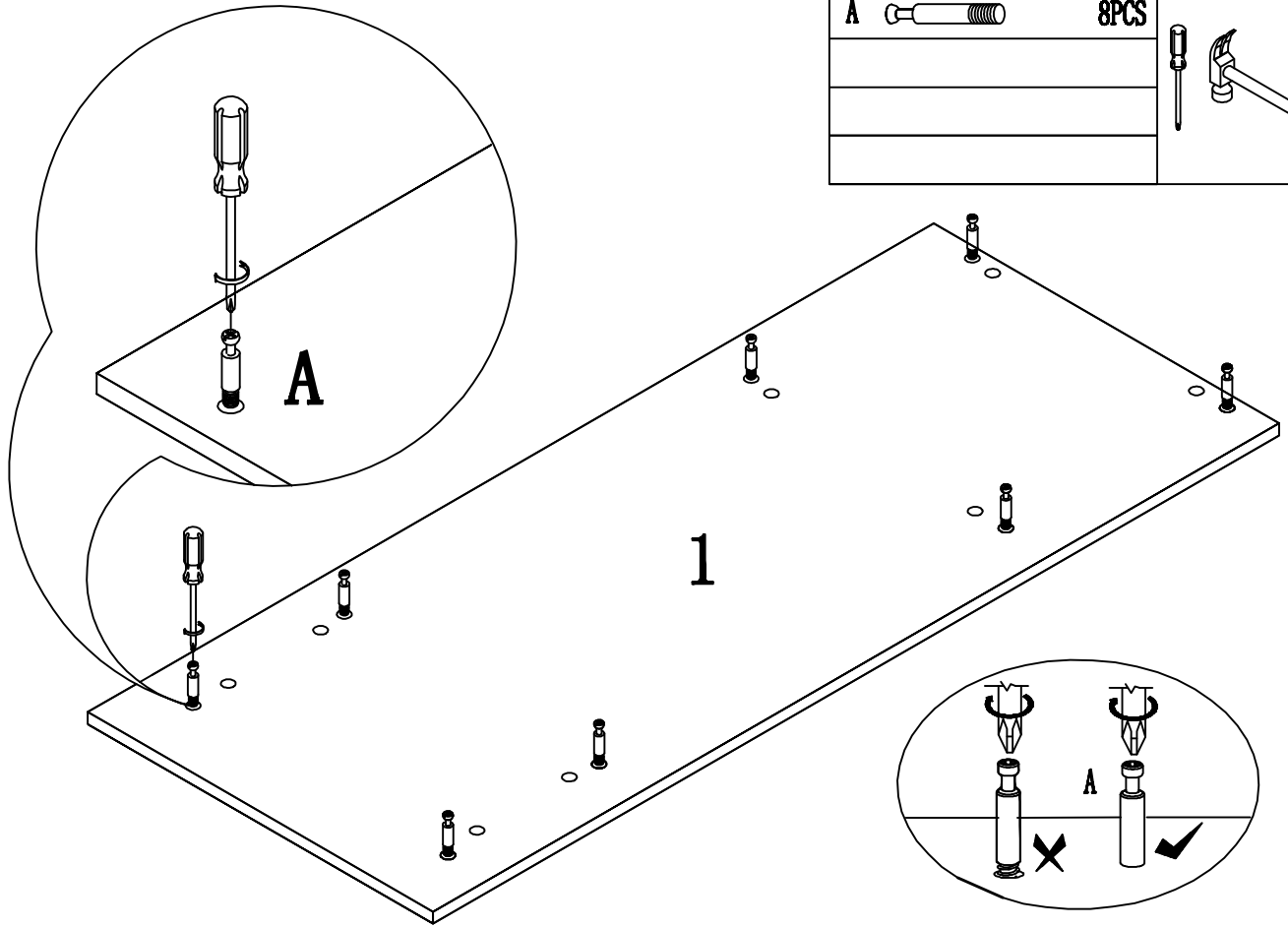
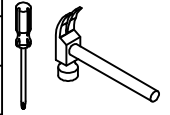


(X3)

# STEP 12


## HARDWARE LIST

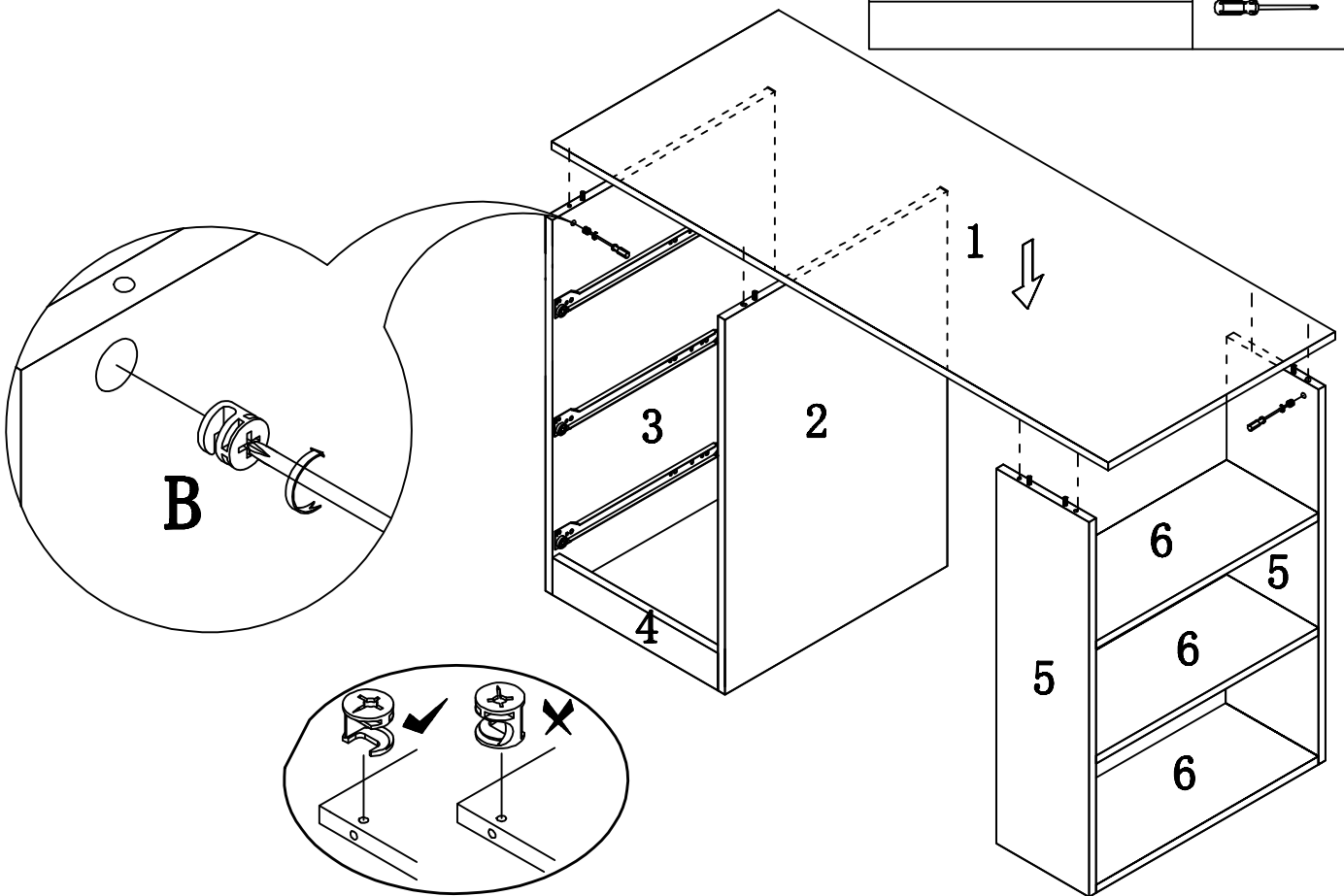
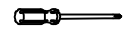
A  8PCS



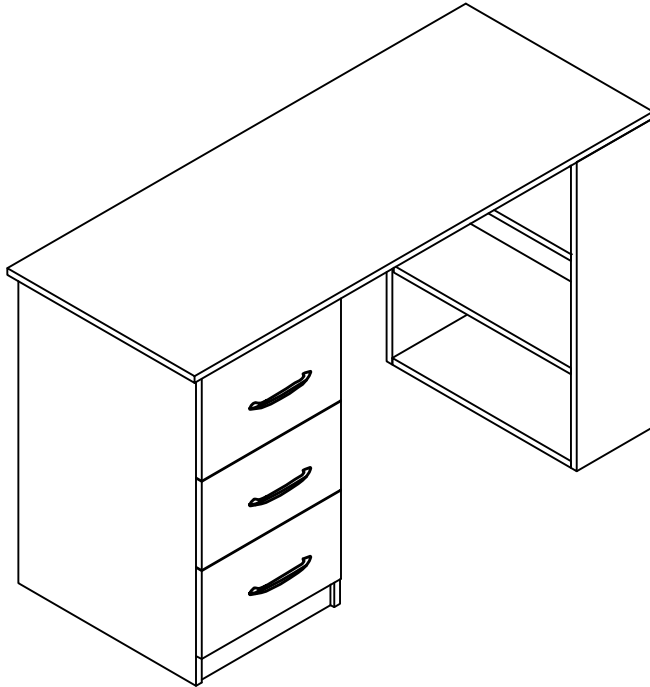
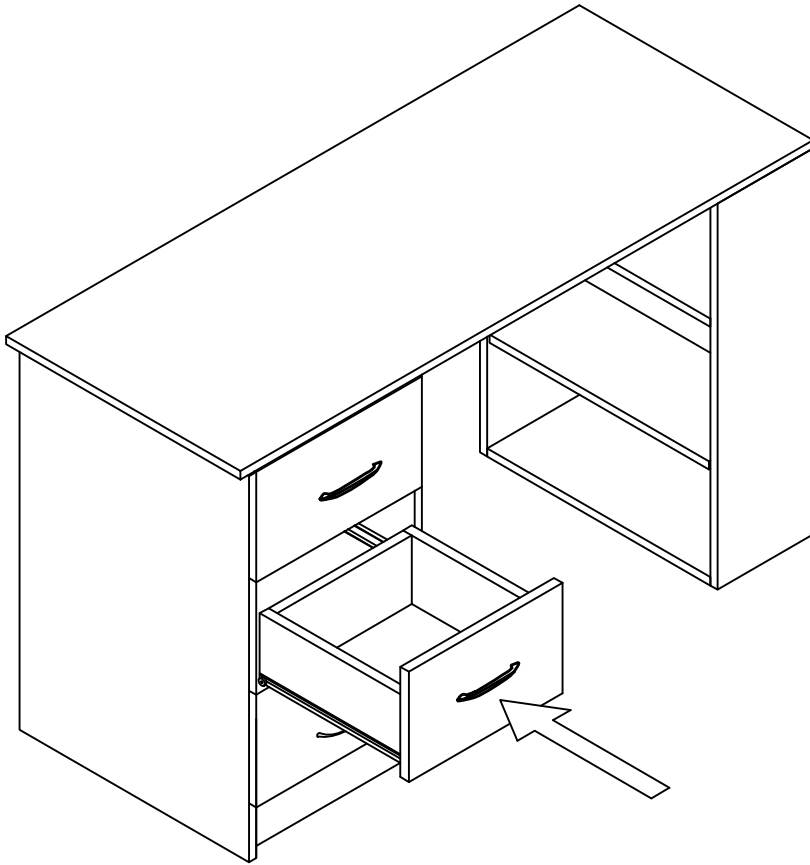
# STEP 13

## HARDWARE LIST

B  8PCS



**STEP 14**



**OK**