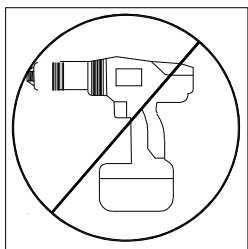


Thank you for purchasing this product. Please read these instructions fully before starting assembly, then follow the simple step by step guide.

### TOP TIPS BEFORE YOU START!

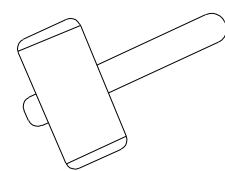
1. Please check that all parts & hardware are present before you start the assembly of your furniture. Do not destroy any of the packaging until you are certain that you have all the necessary parts for assembly.
2. To ensure a smooth installation, we recommend that before you commence each step of the assembly, please identify all the parts required for that step.
3. We recommend that where possible, all items are assembled near to the area in which they will be placed in use, to avoid moving the product unnecessarily once assembled.
4. For the protection of your furniture, particularly items of high gloss finish, we recommend that the product is placed on a protected surface during assembly to prevent any damage.
5. During assembly, please take care not to over-tighten any fittings, as this may damage the product.
6. Keep children and animals away from the work area. Small parts could cause choking if swallowed.

## Tools Required For Assembly

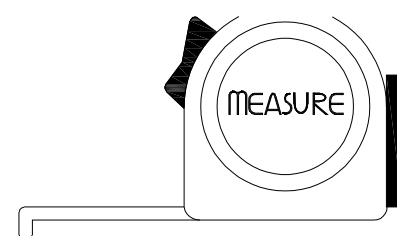


DO NOT USE POWER TOOLS TO ASSEMBLE THIS PRODUCT. USE OF POWER TOOLS WILL INVALIDATE ANY CLAIM AND MAY DAMAGE THIS PRODUCT MAKING IT UNSAFE.

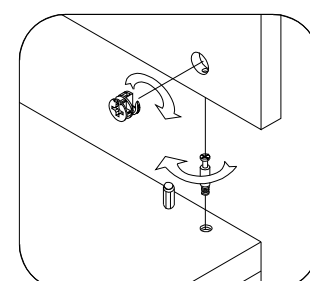
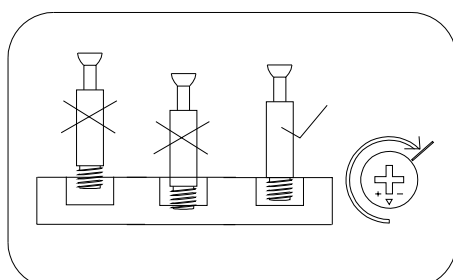
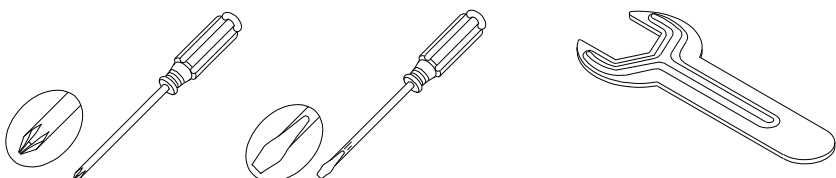
Rubber Hammer

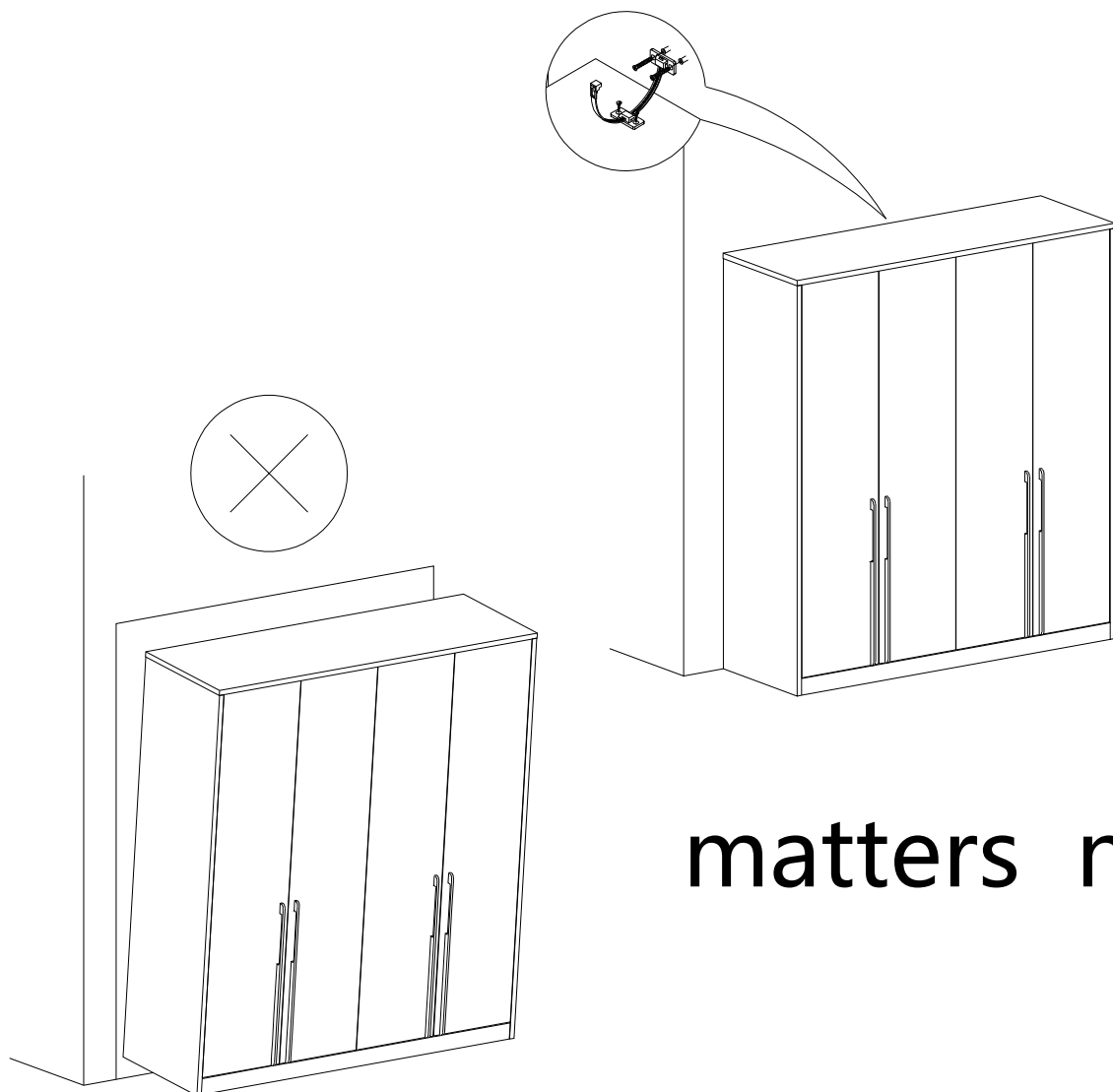


Tape Measure

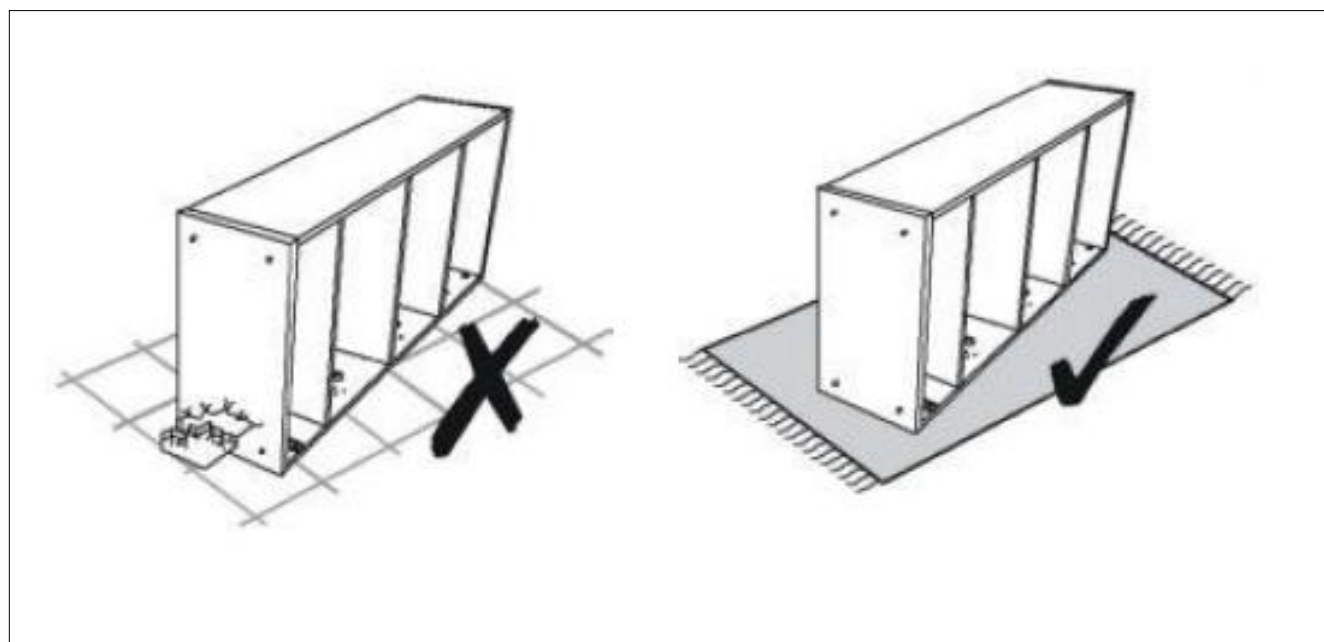
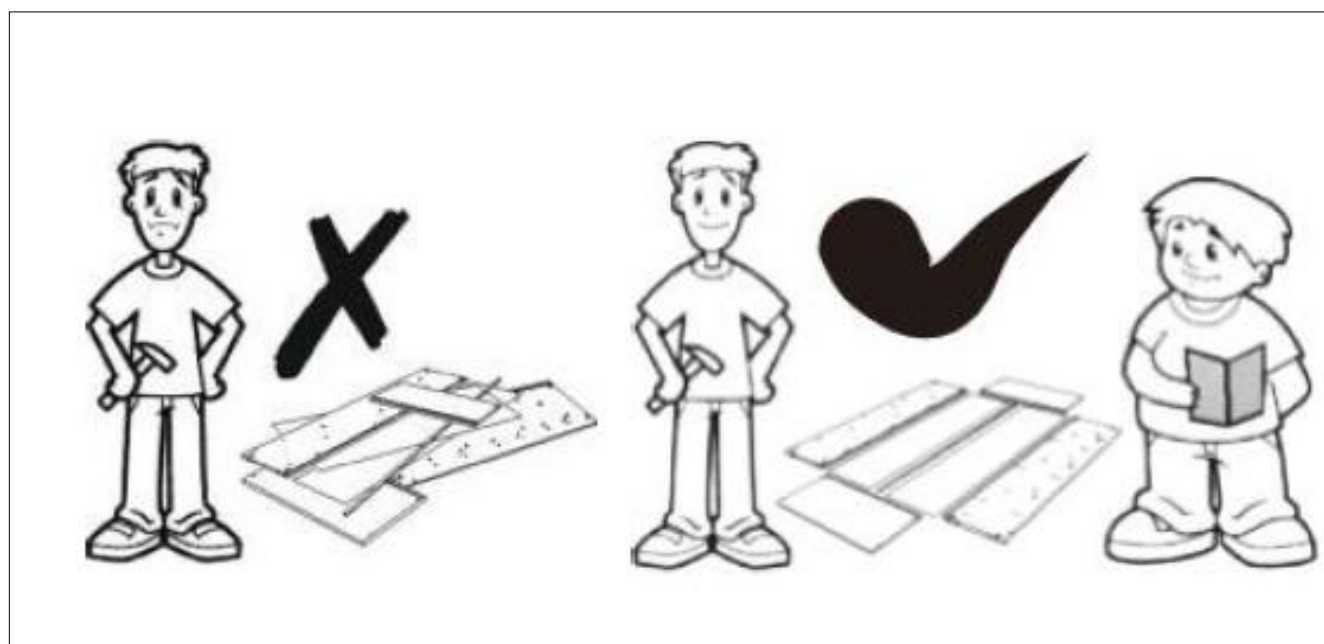


Self-provided universal tool diagram:

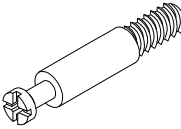

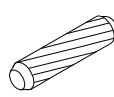
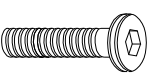
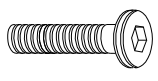
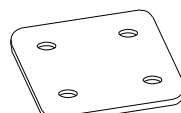
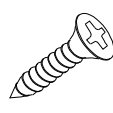
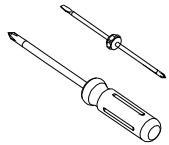







matters needing attention

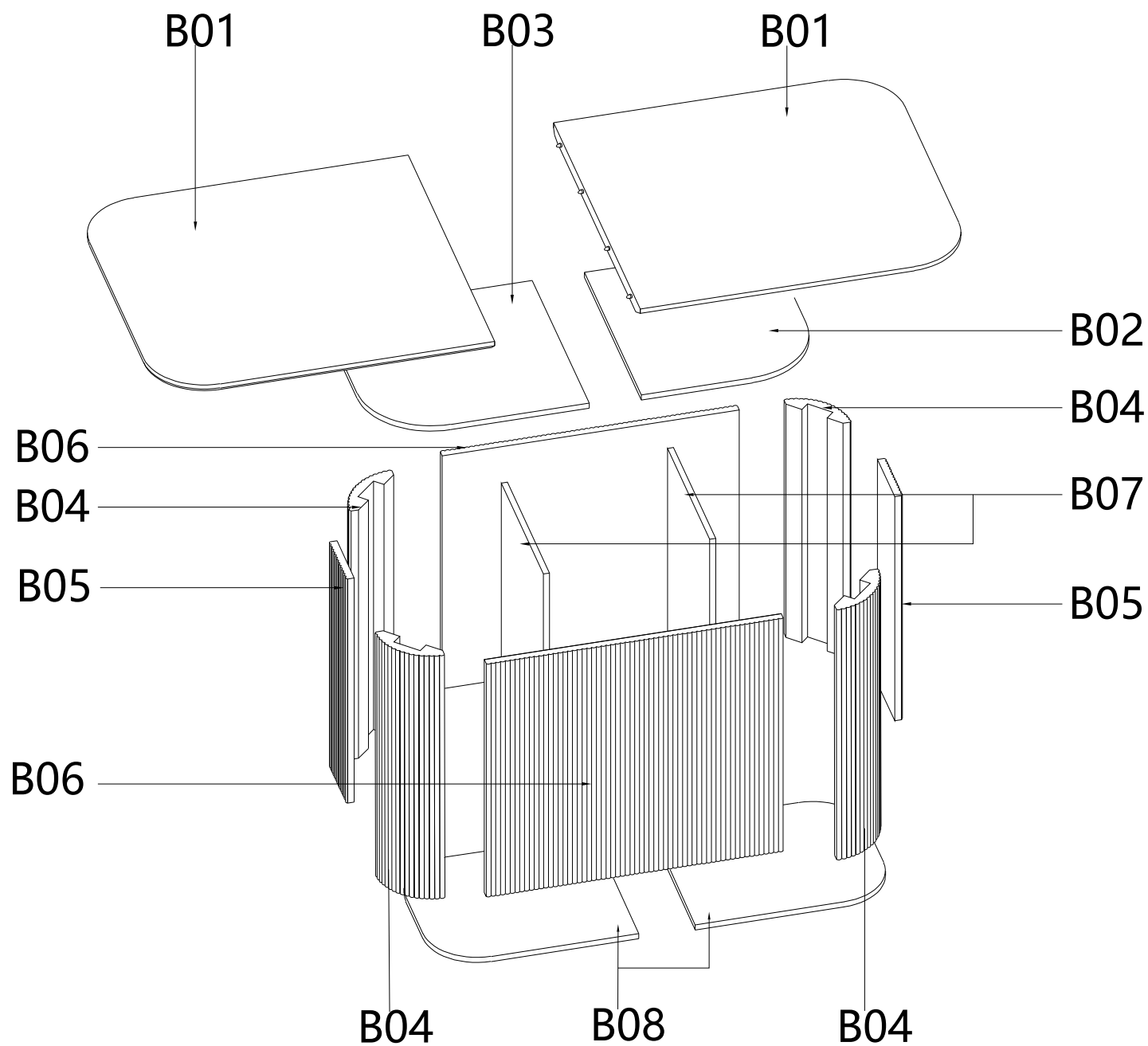


# L5356HW- Dining Table Assembly Hardware

|  |   |  |   |   |
|--|---|--|---|---|
| <p>H1101(A)</p>  <p>3-in-1 Connector Rod<br/>Φ6*40</p> <p>36PCS</p>   | <p>H1201(B)</p>  <p>3-in-1 Eccentric Piece<br/>Φ14.5*11.5</p> <p>36PCS</p>       | <p>H1118(C)</p>  <p>Wooden Dowel<br/>Φ 8 * 30</p> <p>24PCS</p> | <p>H1608(D)</p>  <p>Flat Head Allen Screw<br/>M6*30</p> <p>28PCS</p> | <p>H1633(E)</p>  <p>Flat Head Allen Screw<br/>M8*25</p> <p>12PCS</p> |
| <p>HS0033(F)</p>  <p>Connector Iron Plate<br/>60 * 40</p> <p>2PCS</p> | <p>HA0135(G)</p>  <p>Flat Head Self-Tapping Screw<br/>M 2.5 * 15</p> <p>8PCS</p> | <p>HV0003(H)</p>  <p>Double-Ended Screwdriver</p> <p>1PC</p>   | <p>H5105(I)</p>  <p>L-Shaped Hex Wrench 4#</p> <p>1PC</p>            | <p>H5106(J)</p>  <p>L-Shaped Hex Wrench 5#</p> <p>1PC</p>            |
| <p>HZ0035(K)</p>  <p>Self-Adhesive Feet<br/>Φ20</p> <p>8PCS</p>      |   |  |   |   |

# L5356HW - Dining Table Assembly Parts

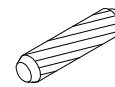
|                             |                               |                           |
|-----------------------------|-------------------------------|---------------------------|
| B01*2 Tabletop              | B04*4 Column Arc Panel        | B07*2 Column Center Panel |
| B02*1 Short Connector Plate | B05*2 Column Short Side Panel | B08*1 Column Base Panel   |
| B03*1 Long Connector Plate  | B06*2 Column Long Side Panel  |                           |



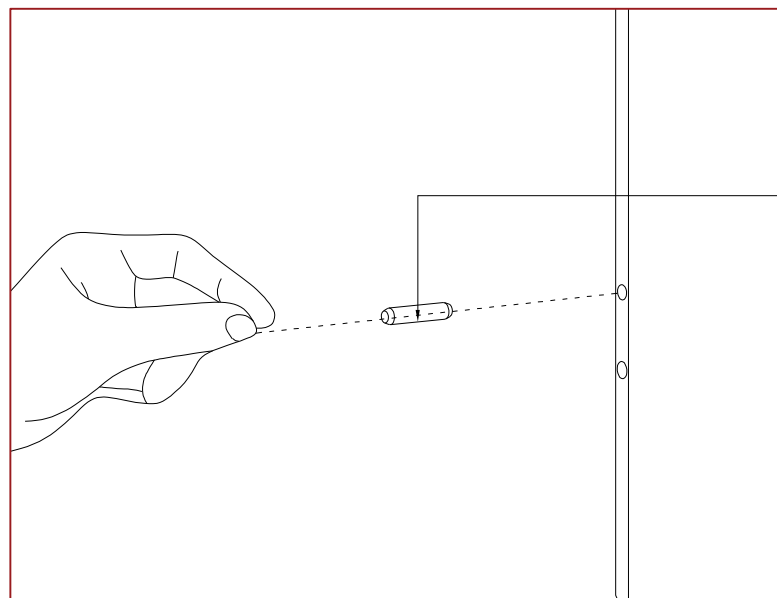
# L5356HW- Dining Table Assembly Steps

## Step 1

H1118(C)

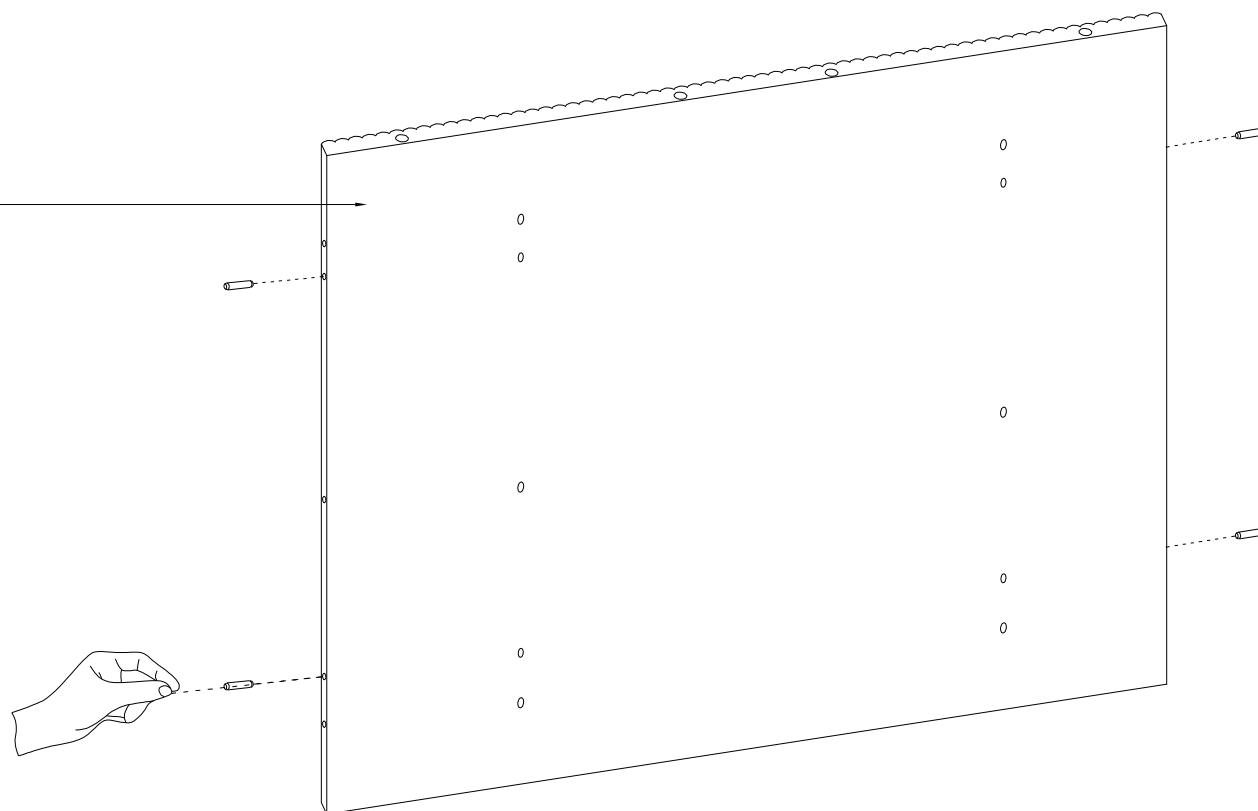


24PCS

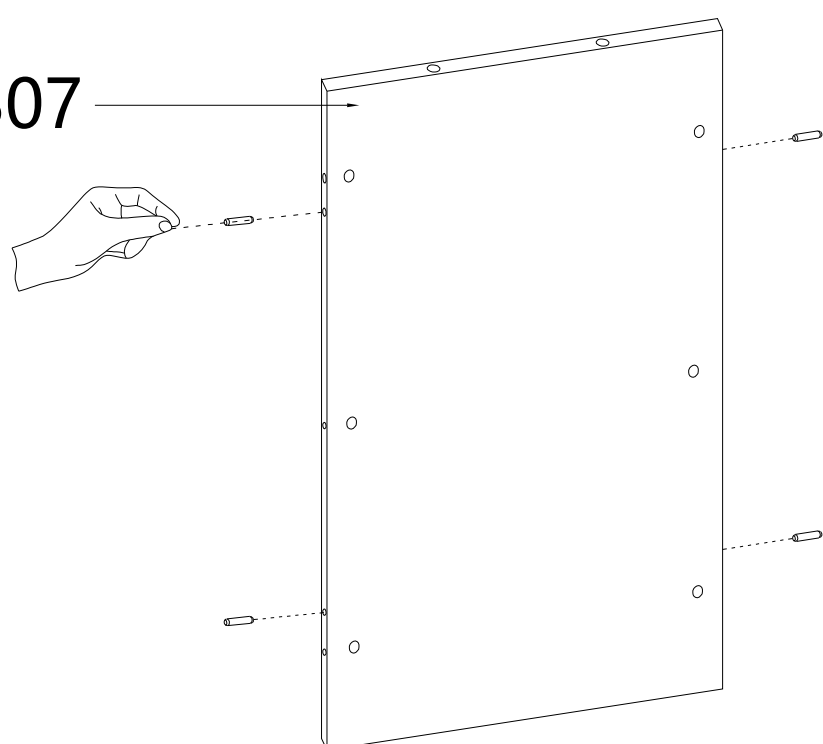


H1118(C)

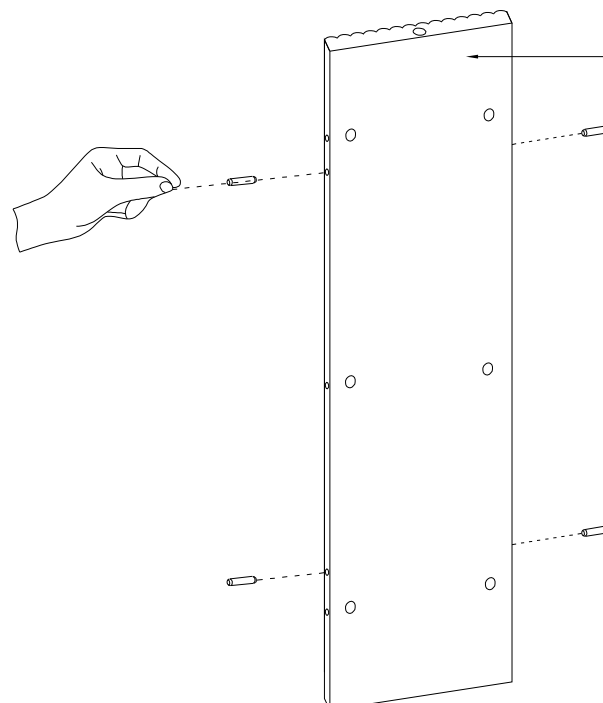
B06



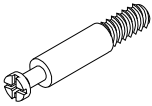

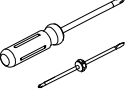
B07

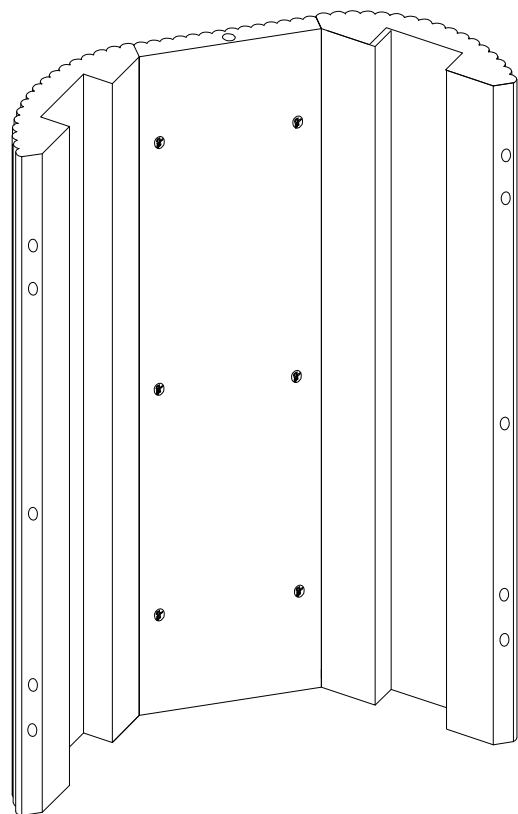
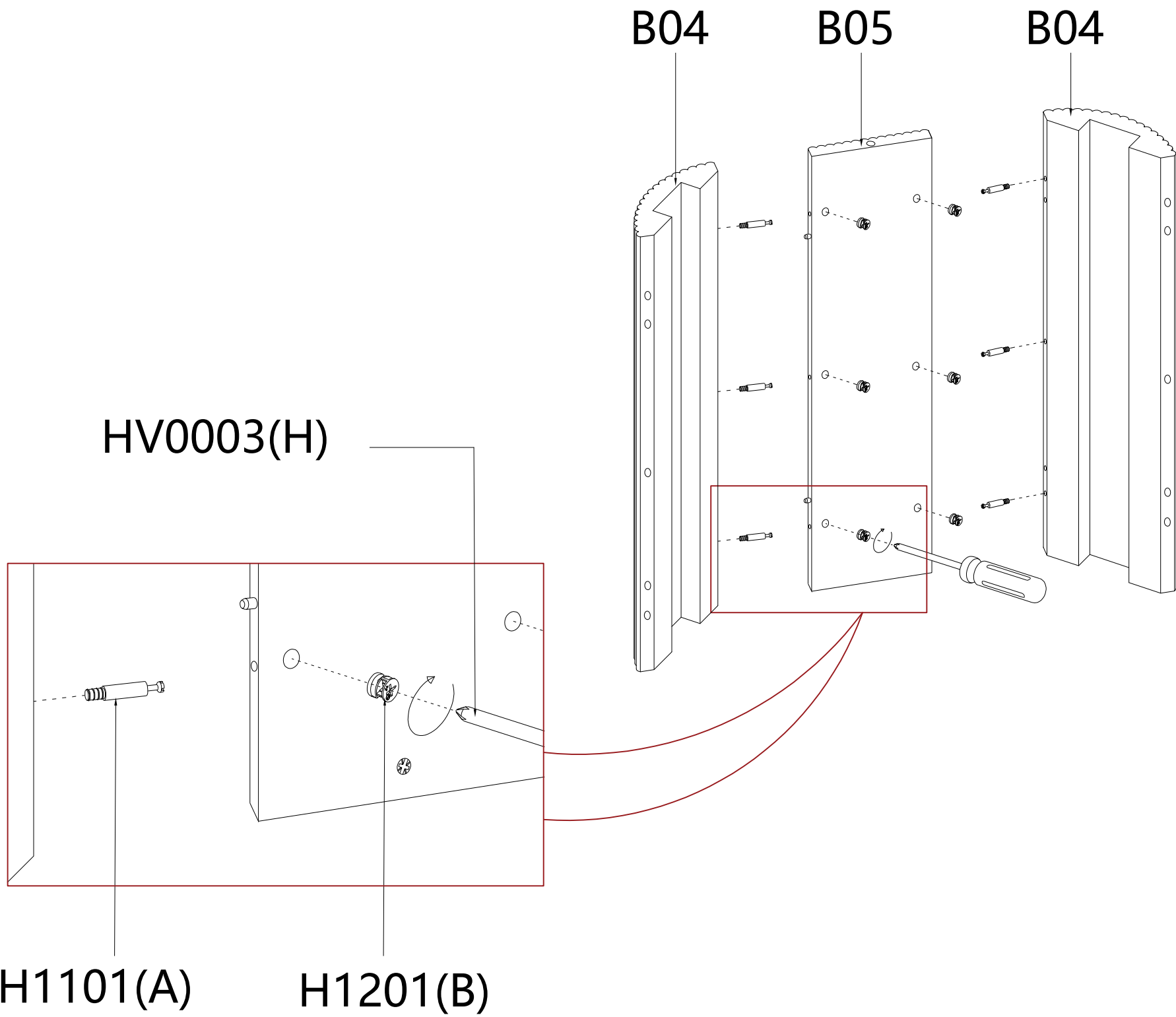


B05



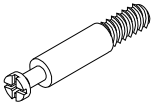

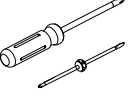
# Step 2

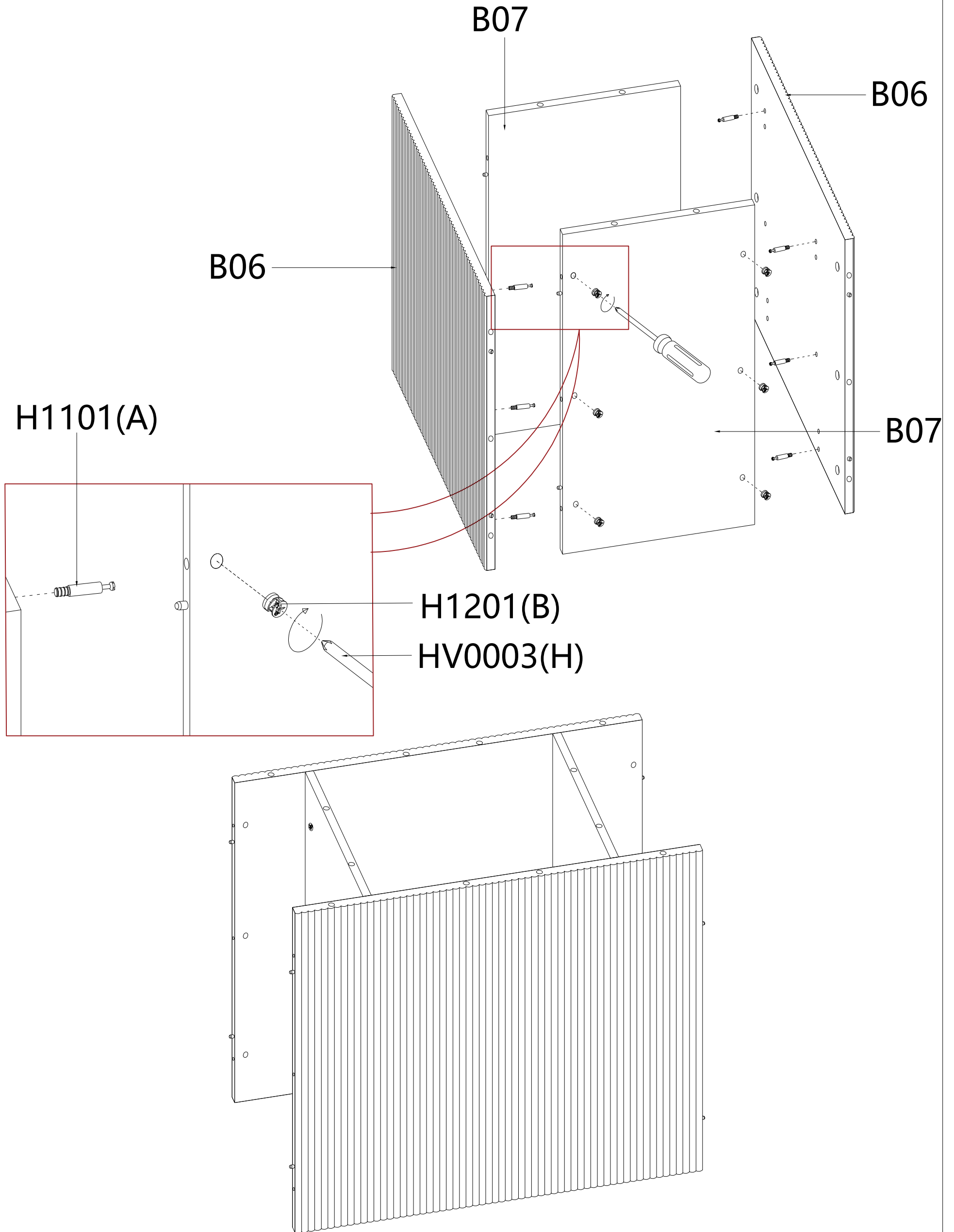
|  |  |   |
|--|--|---|
| H1101(A)<br><br>12PCS | H1201(B)<br><br>12PCS | HV0003(H)<br><br>1PC |
|--|--|---|



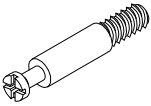

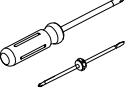
X 2

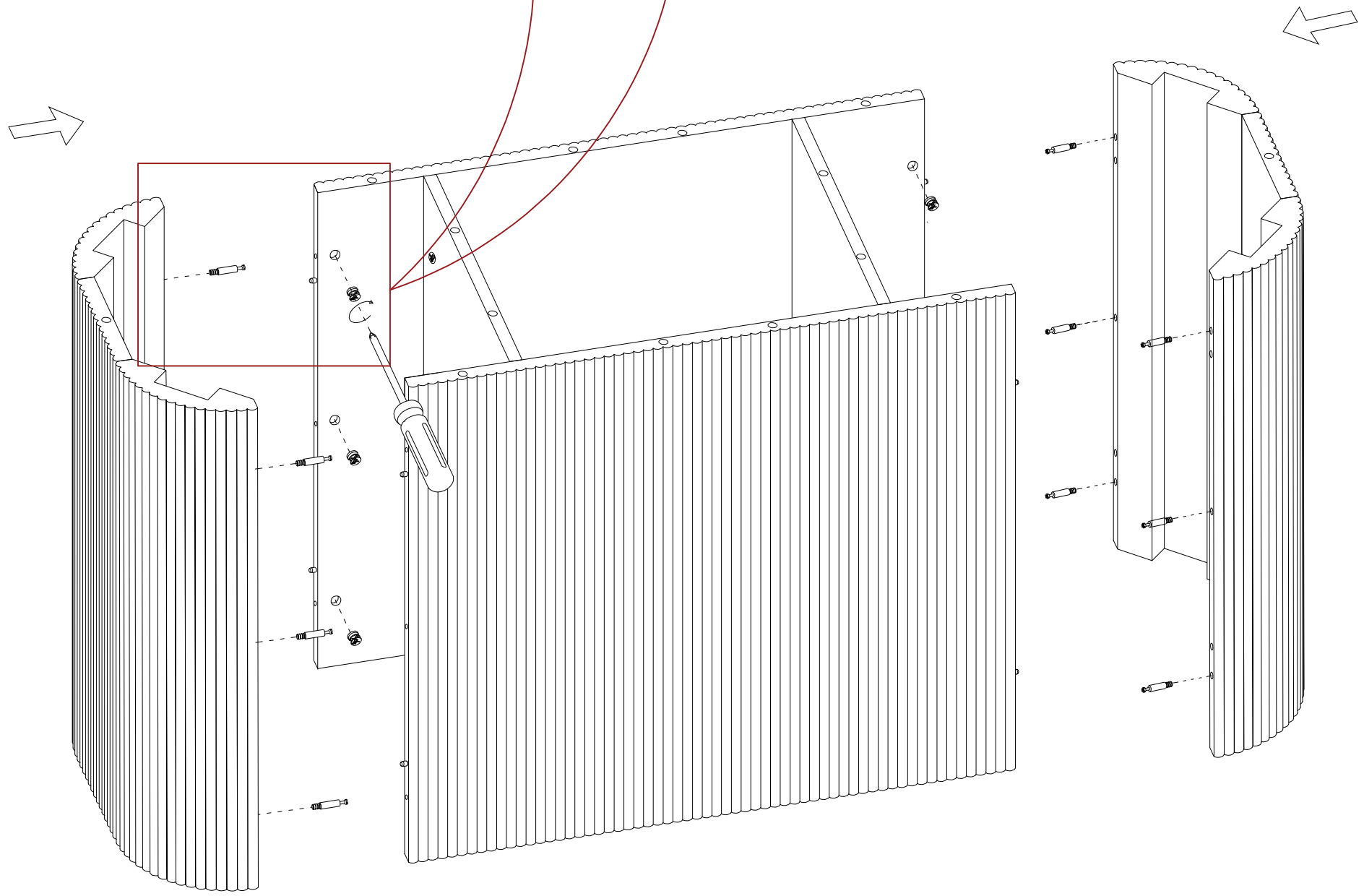
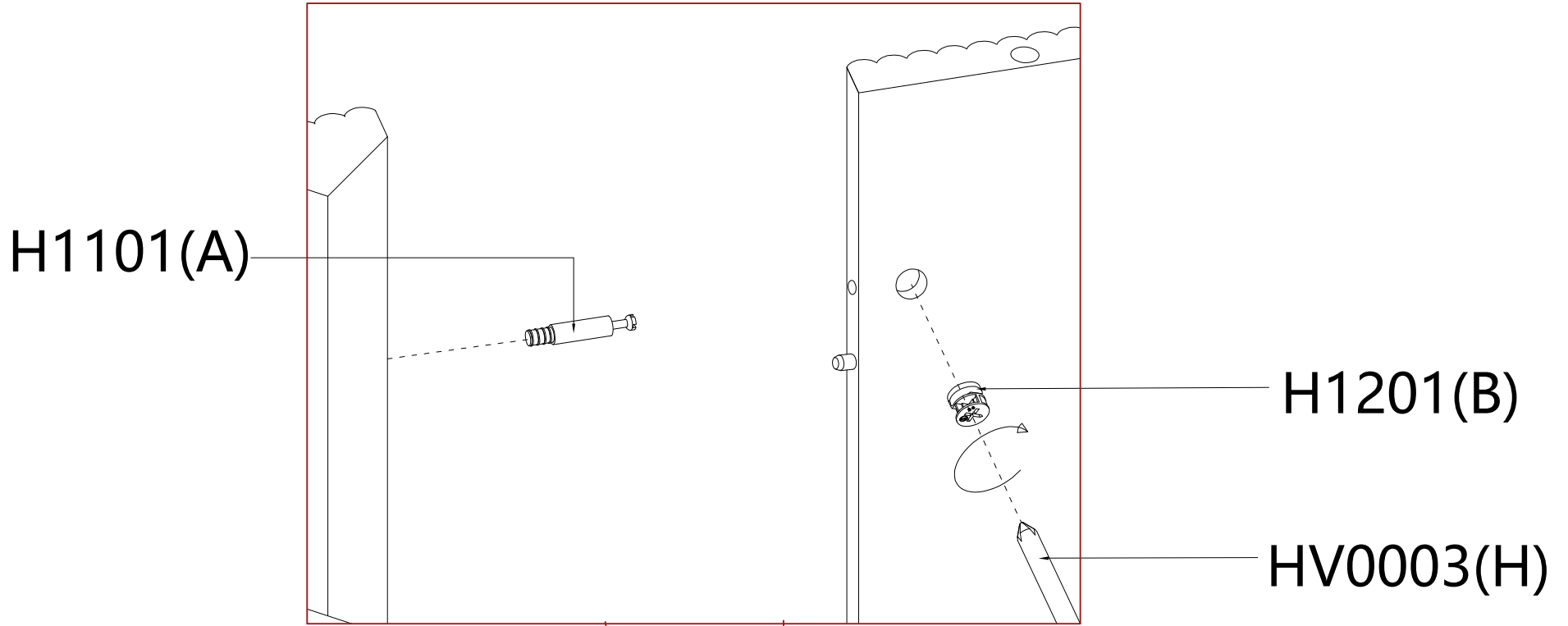
# Step 3

|  |  |   |
|--|--|---|
| H1101(A)<br><br>12PCS | H1201(B)<br><br>12PCS | HV0003(H)<br><br>1PC |
|--|--|---|

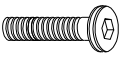




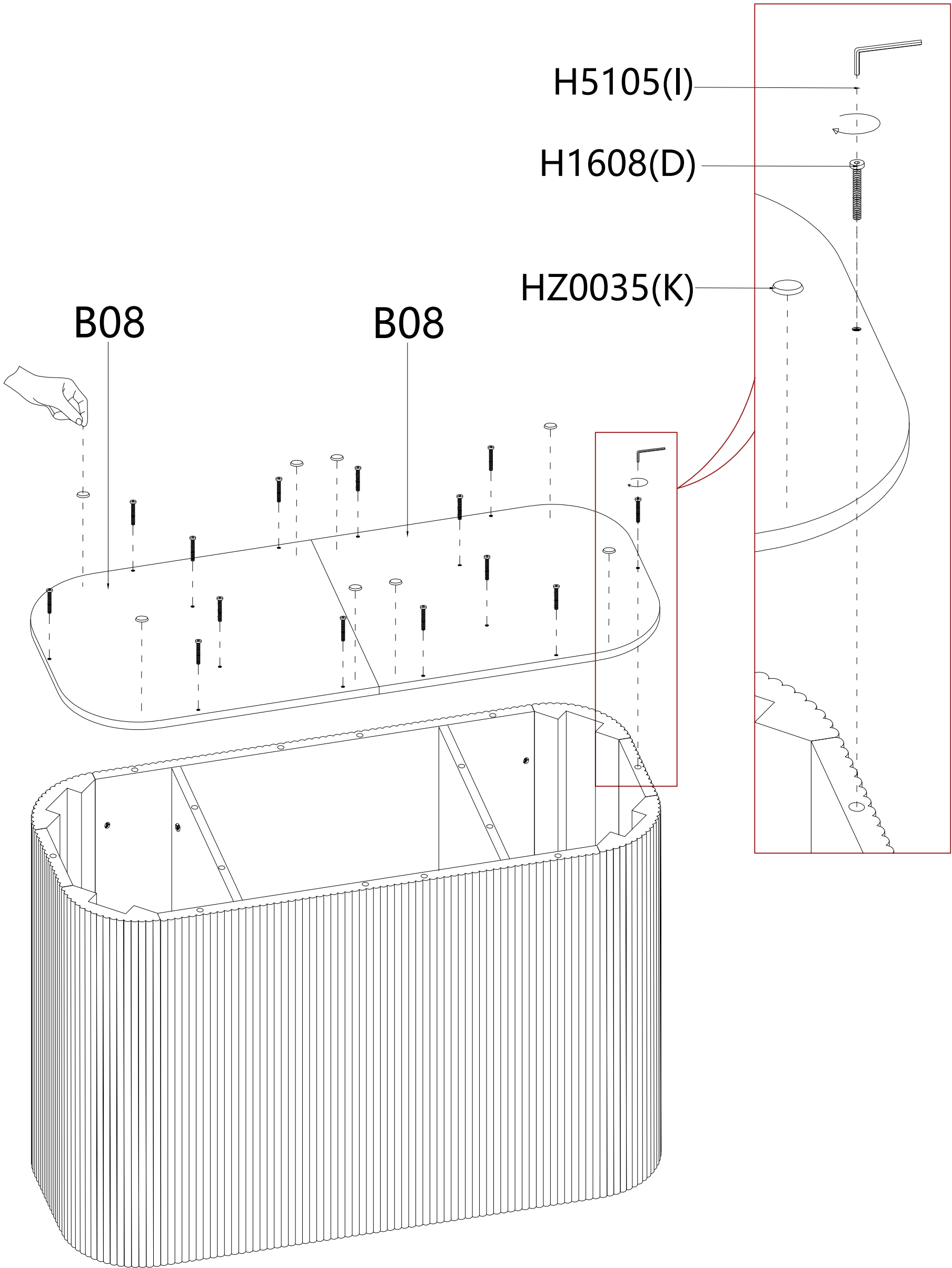
# Step 4

|  |  |   |
|--|--|---|
| H1101(A)<br><br>12PCS | H1201(B)<br><br>12PCS | HV0003(H)<br><br>1PC |
|--|--|---|



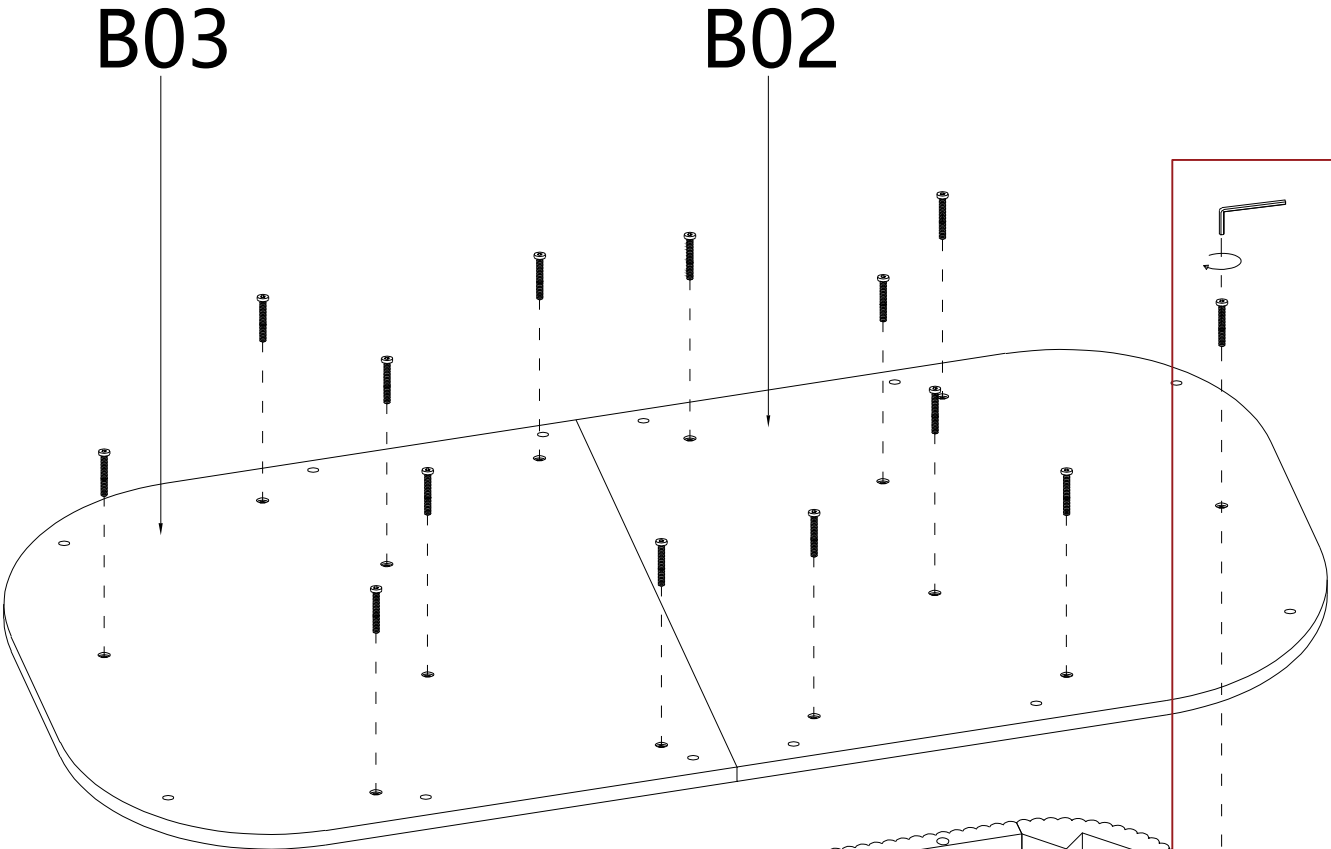
# Step 5

|  |  |  |
|--|--|--|
| H1608(D)<br><br>14PCS | H5105(I)<br><br>1PC | HZ0035(K)<br><br>8PCS |
|--|--|--|



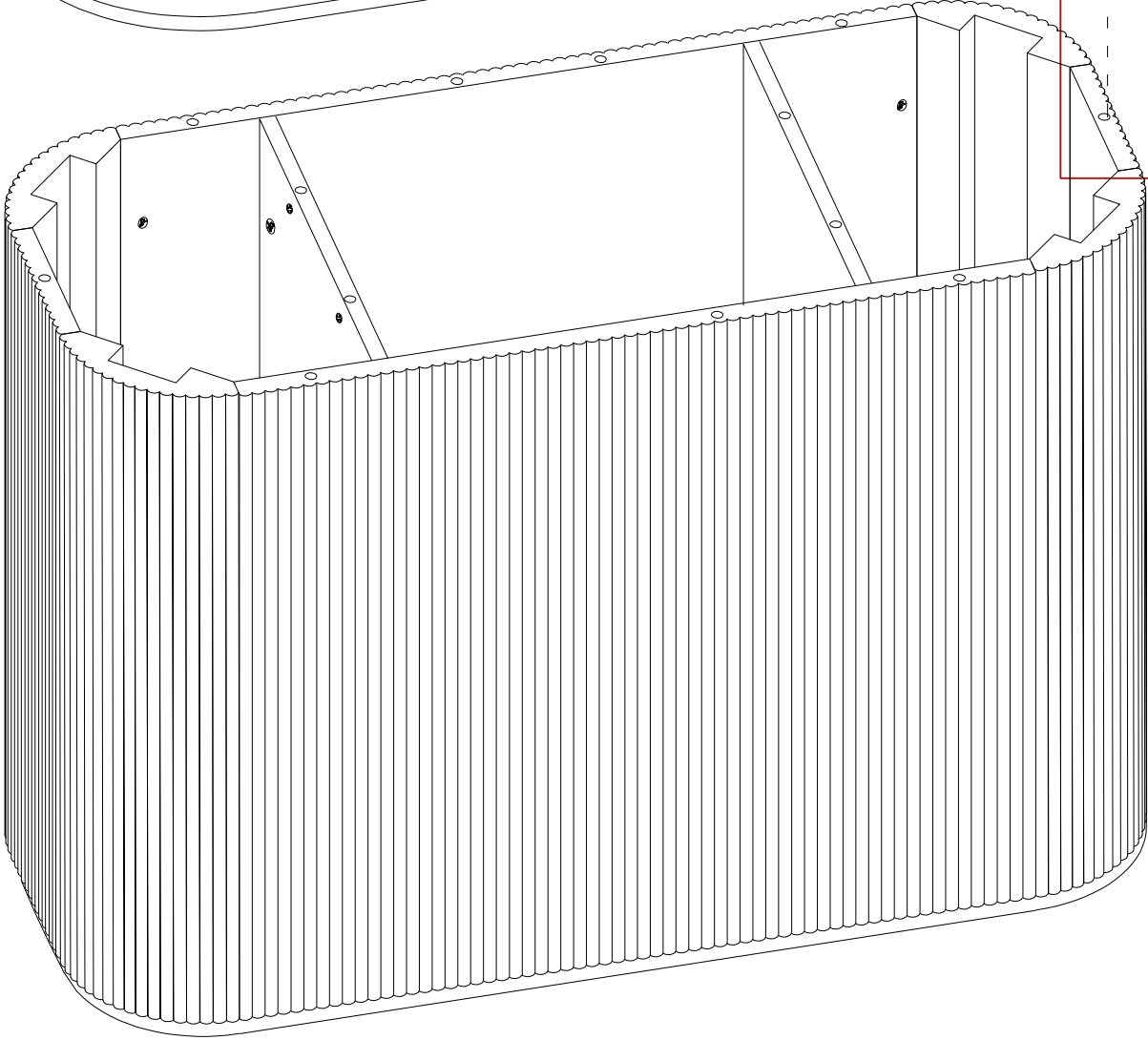
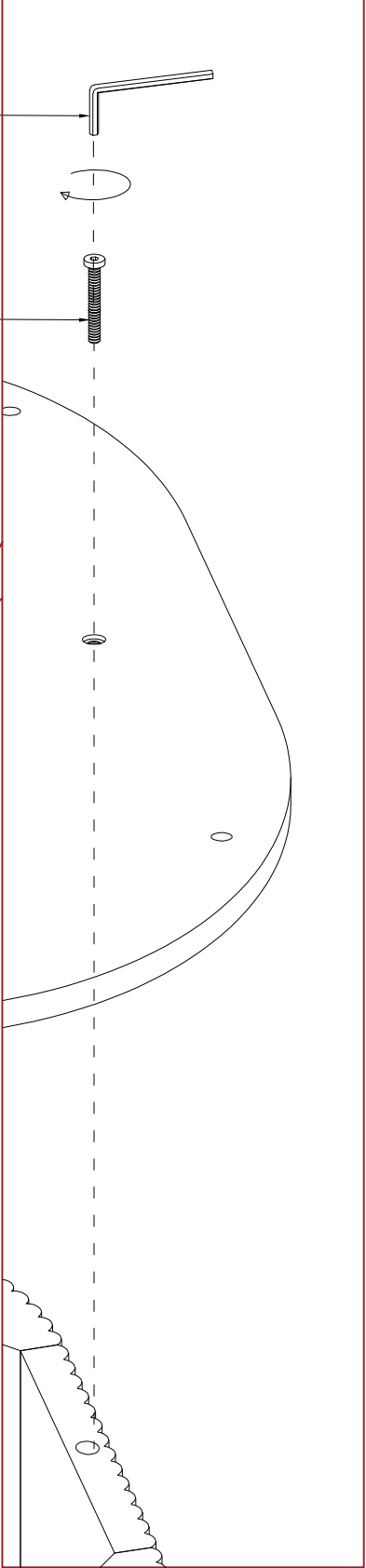
# Step 6

|          |          |
|----------|----------|
| H1608(D) | H5105(I) |
|          |          |
| 14PCS    | 1PC      |

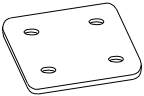

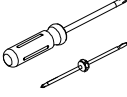




H5105(I)

H1608(D)



# Step 7

|  |  |   |  |  |
|--|--|---|--|--|
| HS0033(F)<br><br>2PCS | HA0135(G)<br><br>8PCS | HV0003(H)<br><br>1PC | H1633(E)<br><br>12PCS | H5106(J)<br><br>1PC |
|--|--|---|--|--|

