

35" Sintered Stone Bar Table

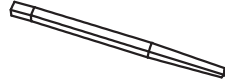
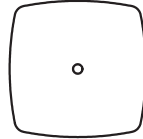




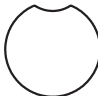
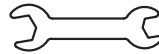
ASSEMBLY INSTRUCTIONS

OE-526-1

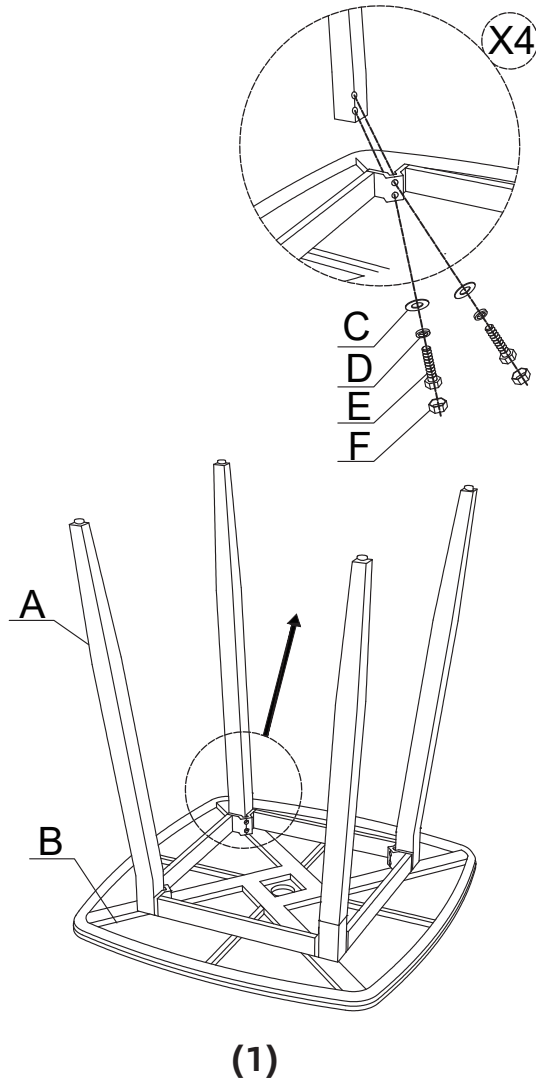


BEFORE ASSEMBLY:

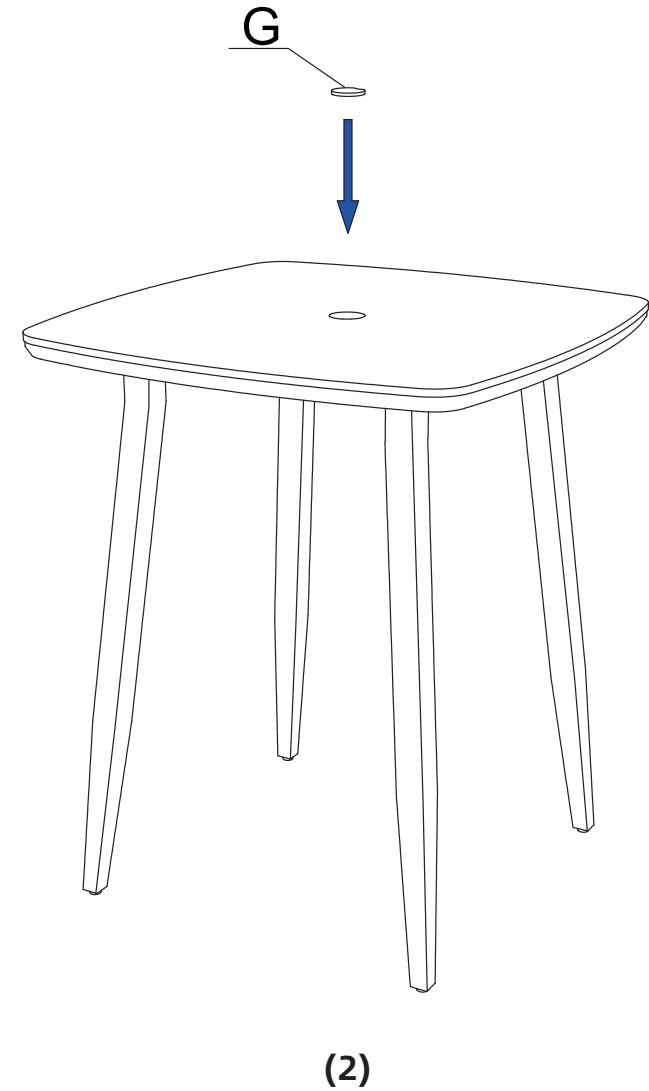
- Please read these instructions carefully before starting assembly. We suggest you carry out the assembly on a soft surface like a carpet, so as to avoid scratching the paint. Keep children away during assembly. This item contains small parts which can be swallowed by children.
- This product was made for the explicit purpose of providing outdoor function and is not to be used as a toy. This product is for residential use only. This product is NOT intended for commercial use; unintended use will void the warranty.
- This product is not intended for use during inclement or severe weather, that includes but is not limited to rain, hail, sleet, snow, wind, freezing conditions and extreme heat.
- Please note because of the nature of cast metal, you may find roughness on the surface which enhances the beauty of the product and is not a defect.
- Aluminum is soft metal, please do not use power tools, and over tighten may strip threads or break the parts.
- When not in use, store and/or cover the product in a cool dry location. Do not locate the product near any sort of high heat. Do not use the product as a support.
- Children under the age of 10, who are near the product, should be supervised by a competent adult at all times.
- Do not discard any of packaging until you finish the assembly. Keep the assembly instructions for future reference or warranty.

AX4  Leg	BX1  Table Top	CX8  Washer
DX8  Spring Washer	EX8  Bolt(M8*40)	FX8  Bolt Cap
GX1  Umbrella Hole Cover	HX1  Wrench	

Step 1: Place all the parts on a clean and soft surface identify all the parts and hardware kits against parts list. Turn over the Table Top(B) onto a flat surface; Assemble Leg(A) and Table Top(B) with parts(C,D,E,F) in the order displayed in fig(1). Then assembly the other 3 Legs. Tighten all the Bolts(E) loosely at this stage. Repeat this step with other 3 legs.



Step 2: Turn over again and check that all the parts are securely connected, tighten all screws fully. Adjust the levelers till the table is stable. And cover the Umbrella Hole Cover (G). Now Your table is ready to use.



Warning: For enhanced stability, we strongly recommend using a properly weighted umbrella base. Always close the umbrella during strong winds to ensure safety and prevent tipping.