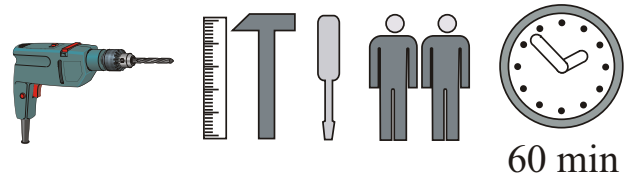
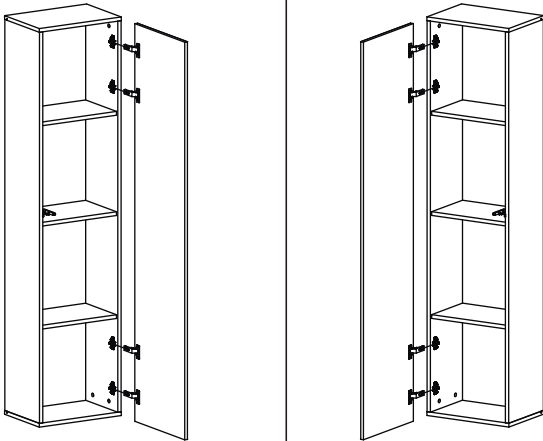
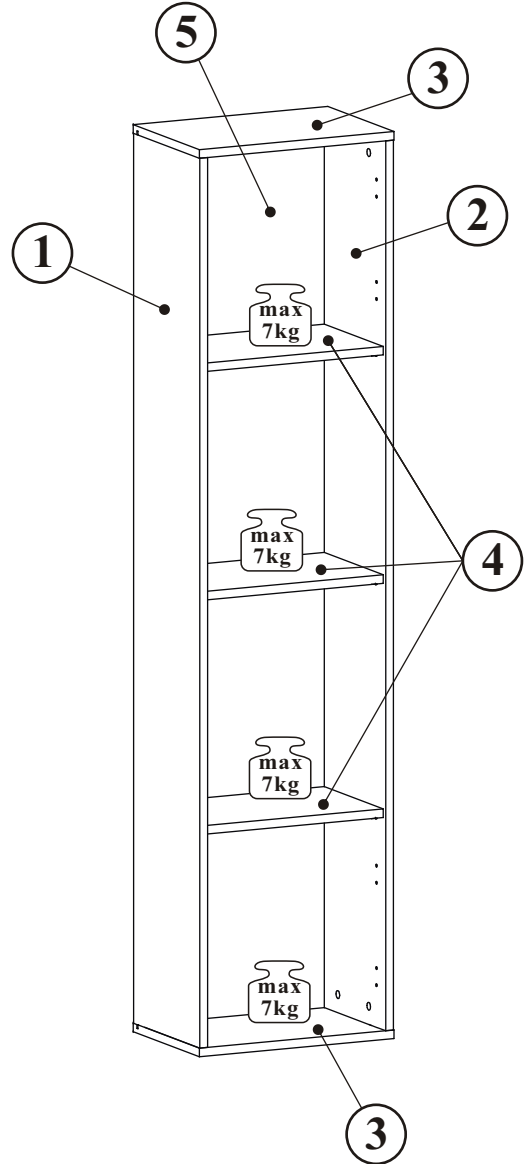
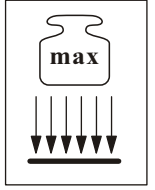
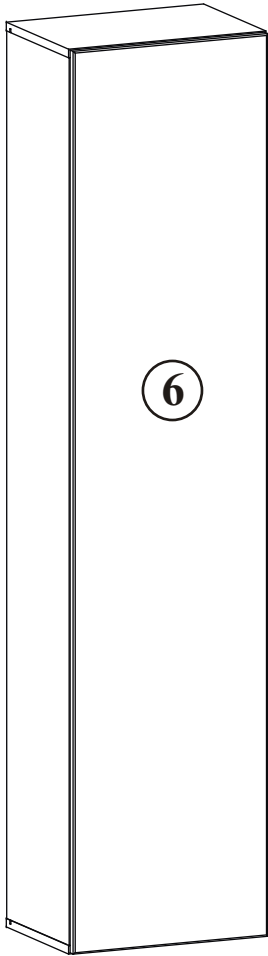
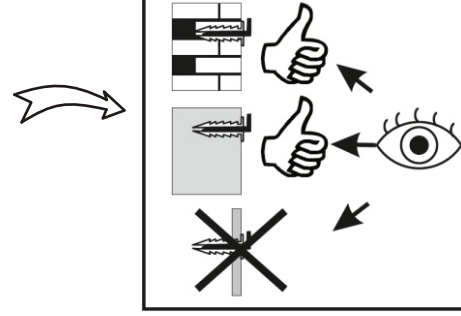
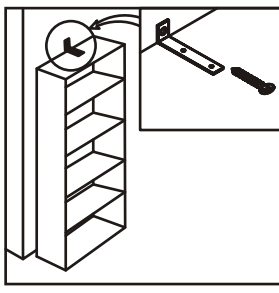
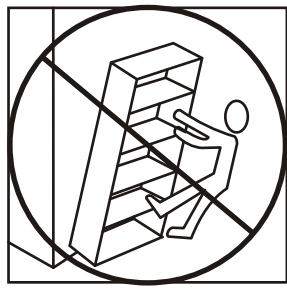
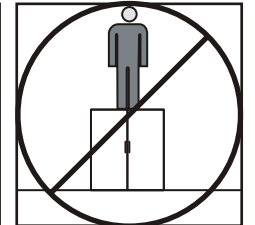
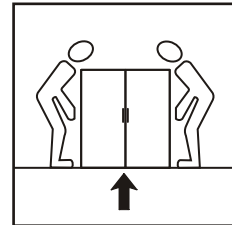
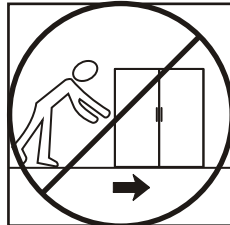
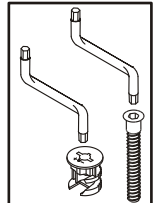
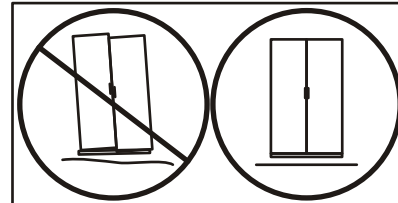
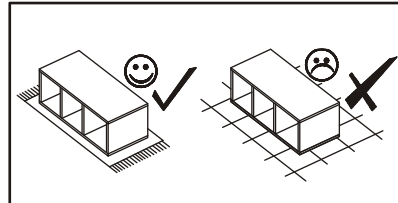
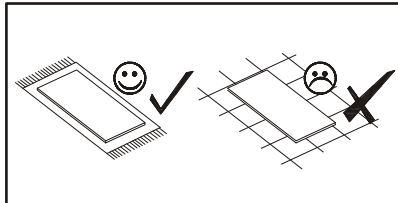
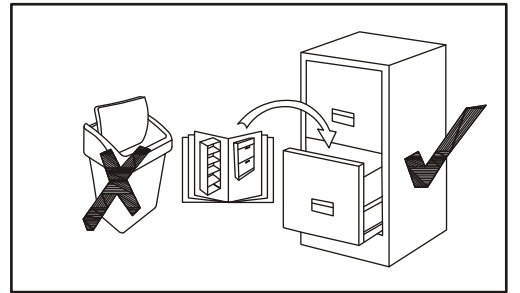
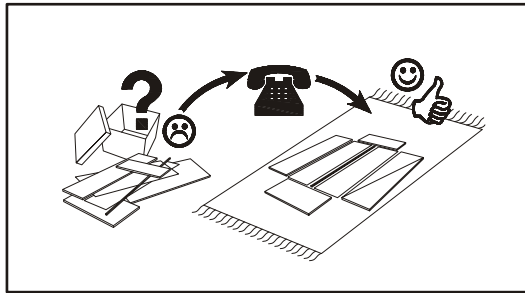
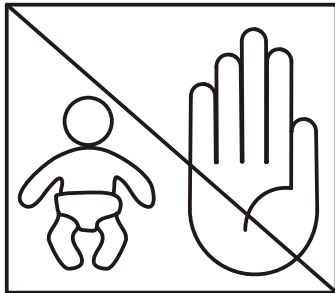
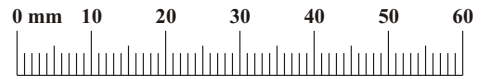
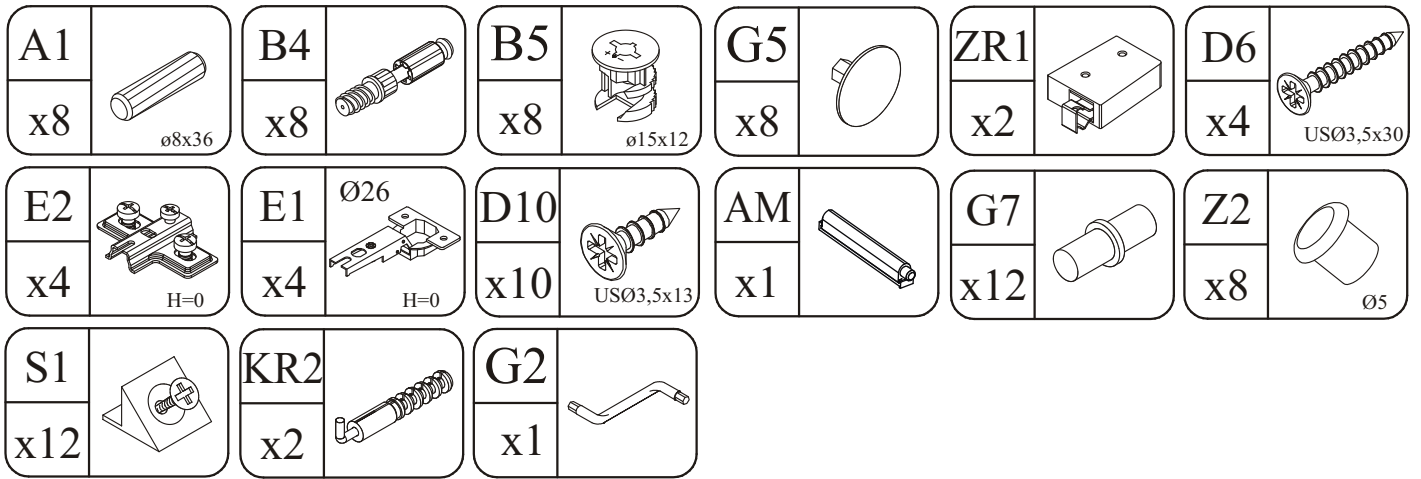


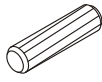
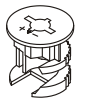
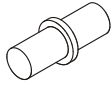
ASSEMBLY INSTRUCTIONS

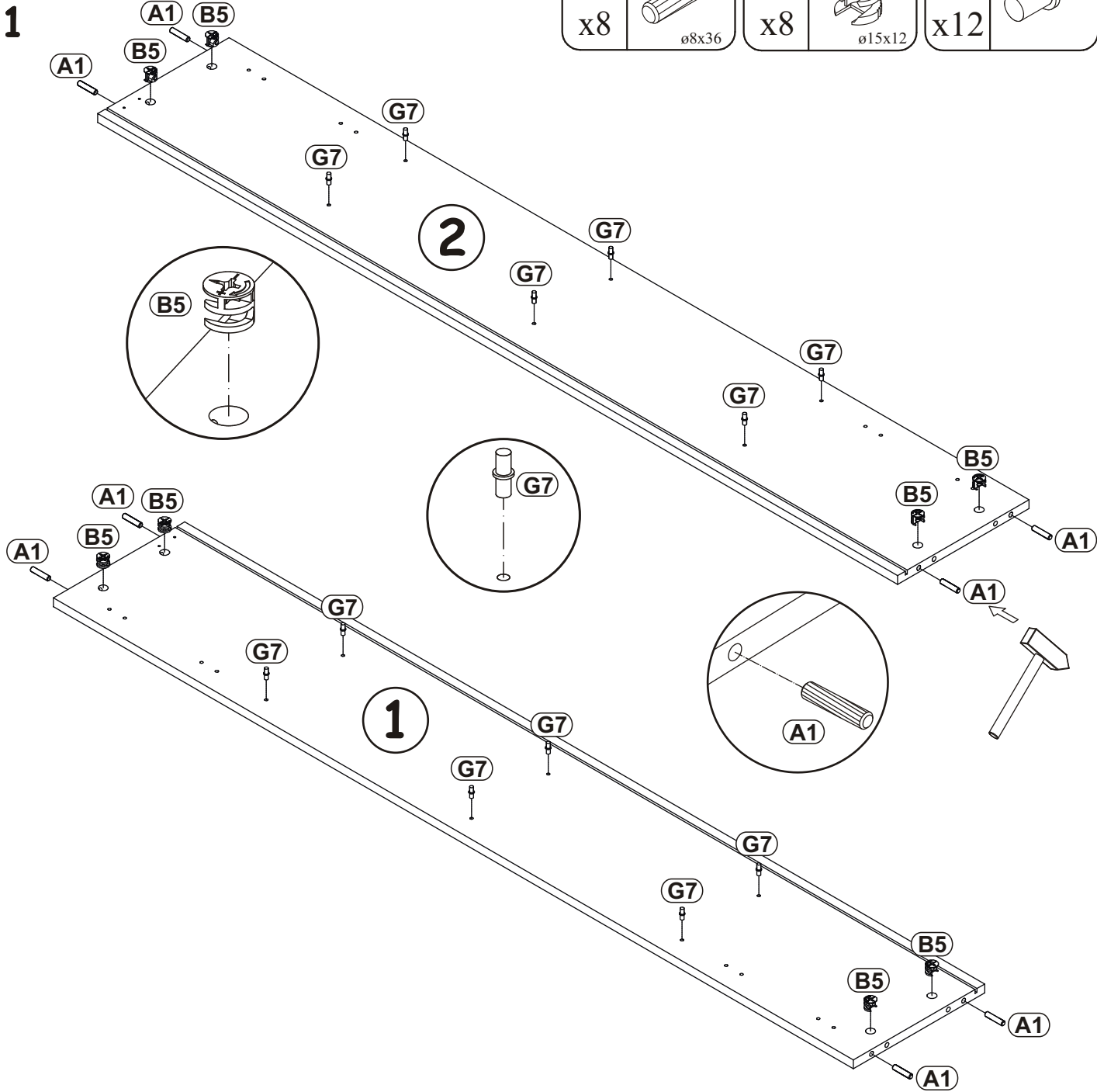


60 min

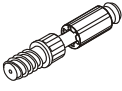
NO	Dim.		Col.-No	Qty
1	1668	274	1	1
2	1668	274	1	1
3	400	274	1	2
4	366	244	1	3
5	1680	378	1	1
6	394	1696	1	1

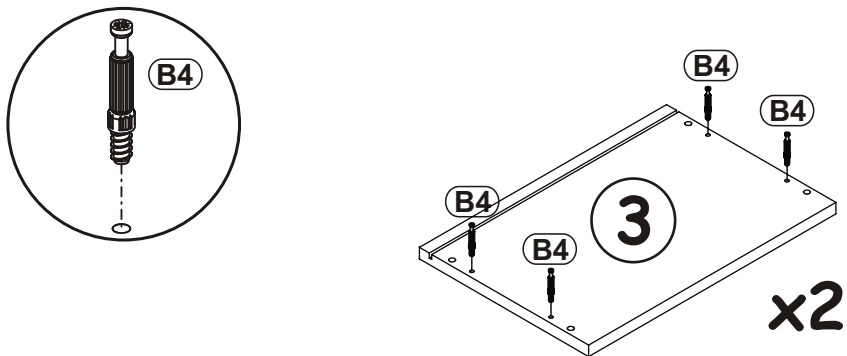


A1		B5		G7	
x8	ø8x36	x8	ø15x12	x12	

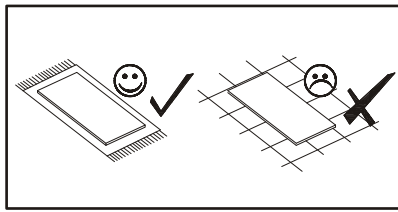


2

B4	
x8	

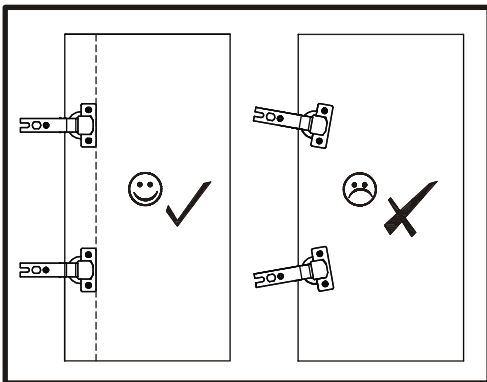
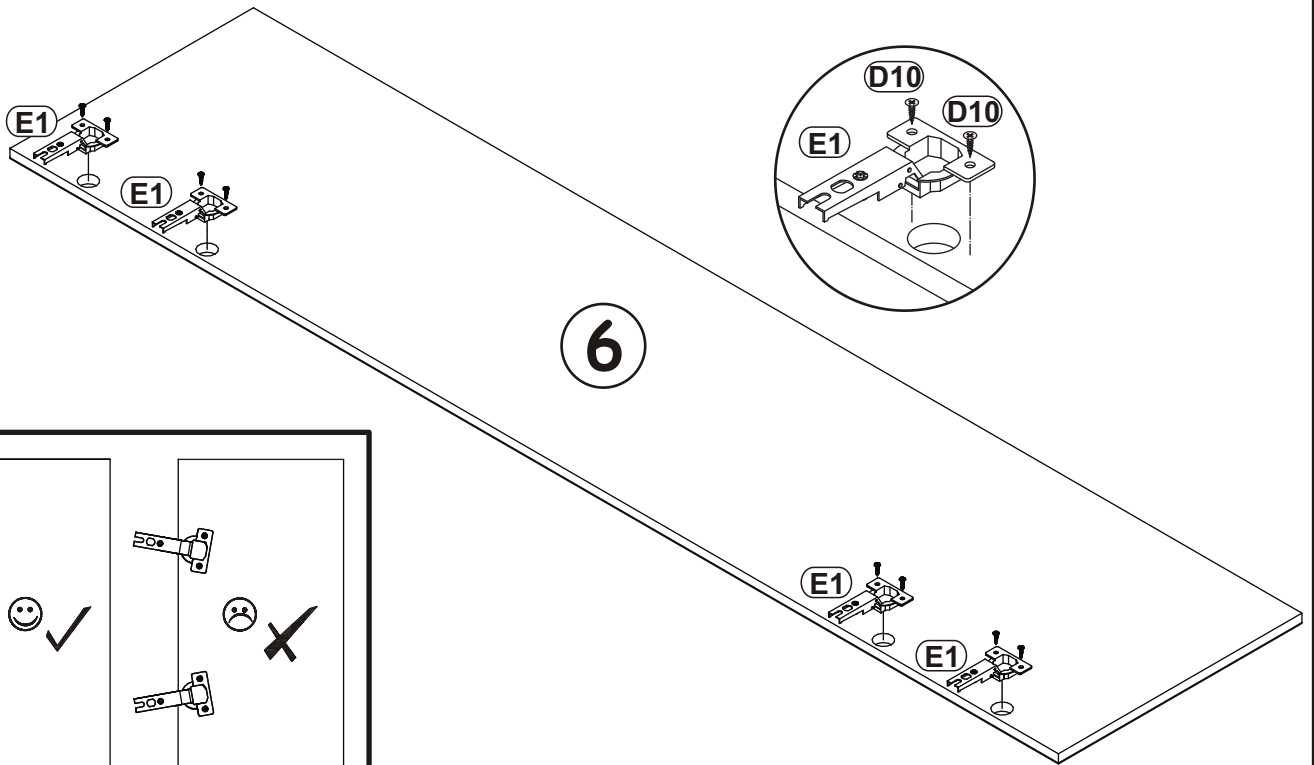


3



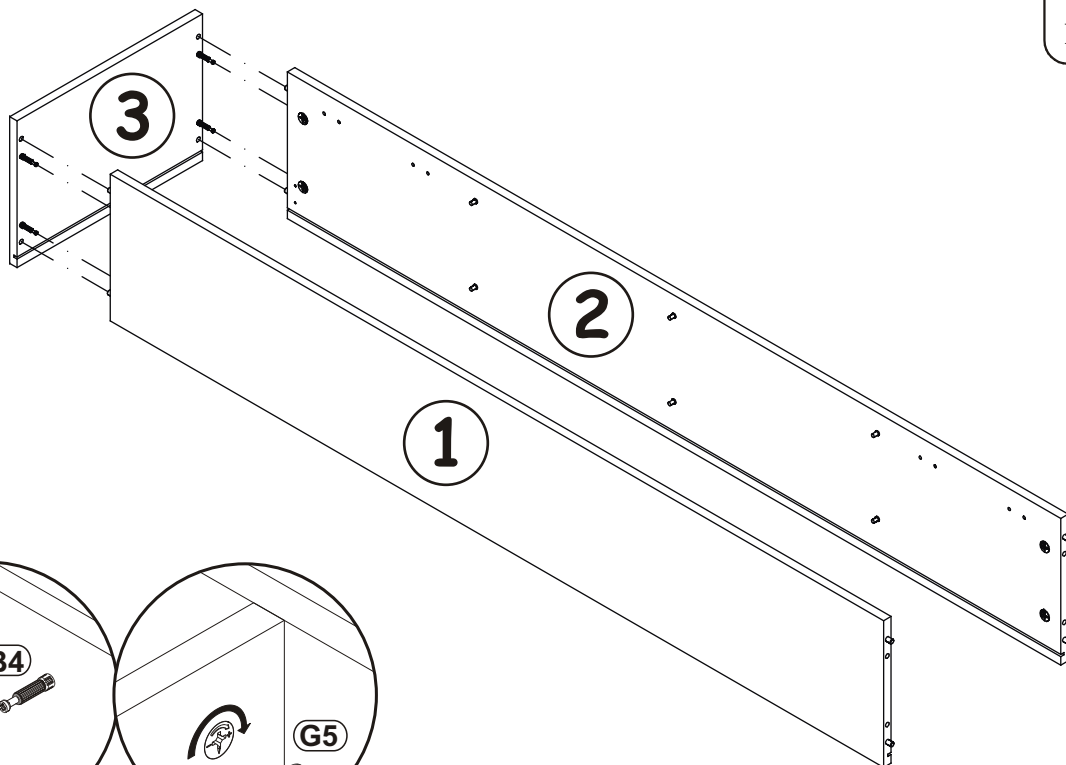
E1	Ø26
x4	H=0

D10	
x8	USØ3,5x13




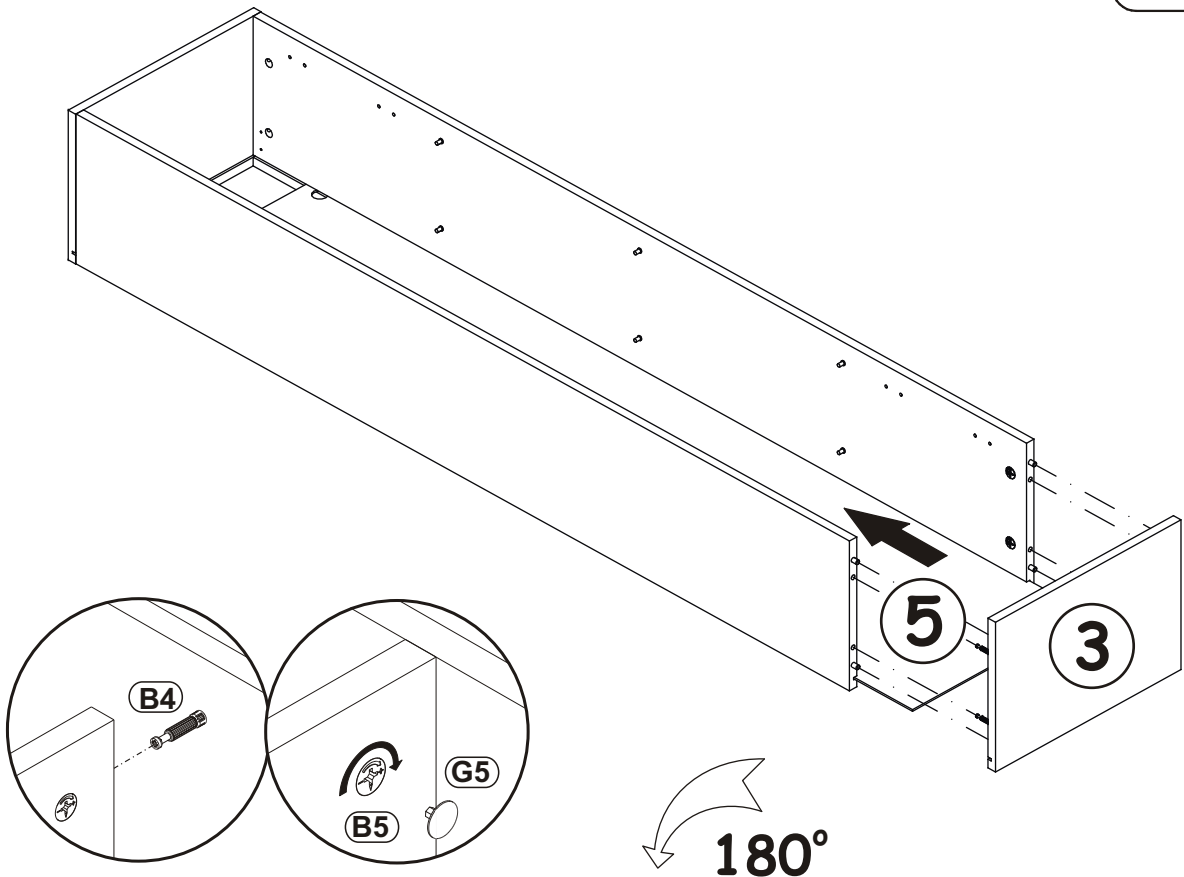
4

G5	
x4	



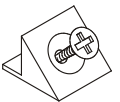
5

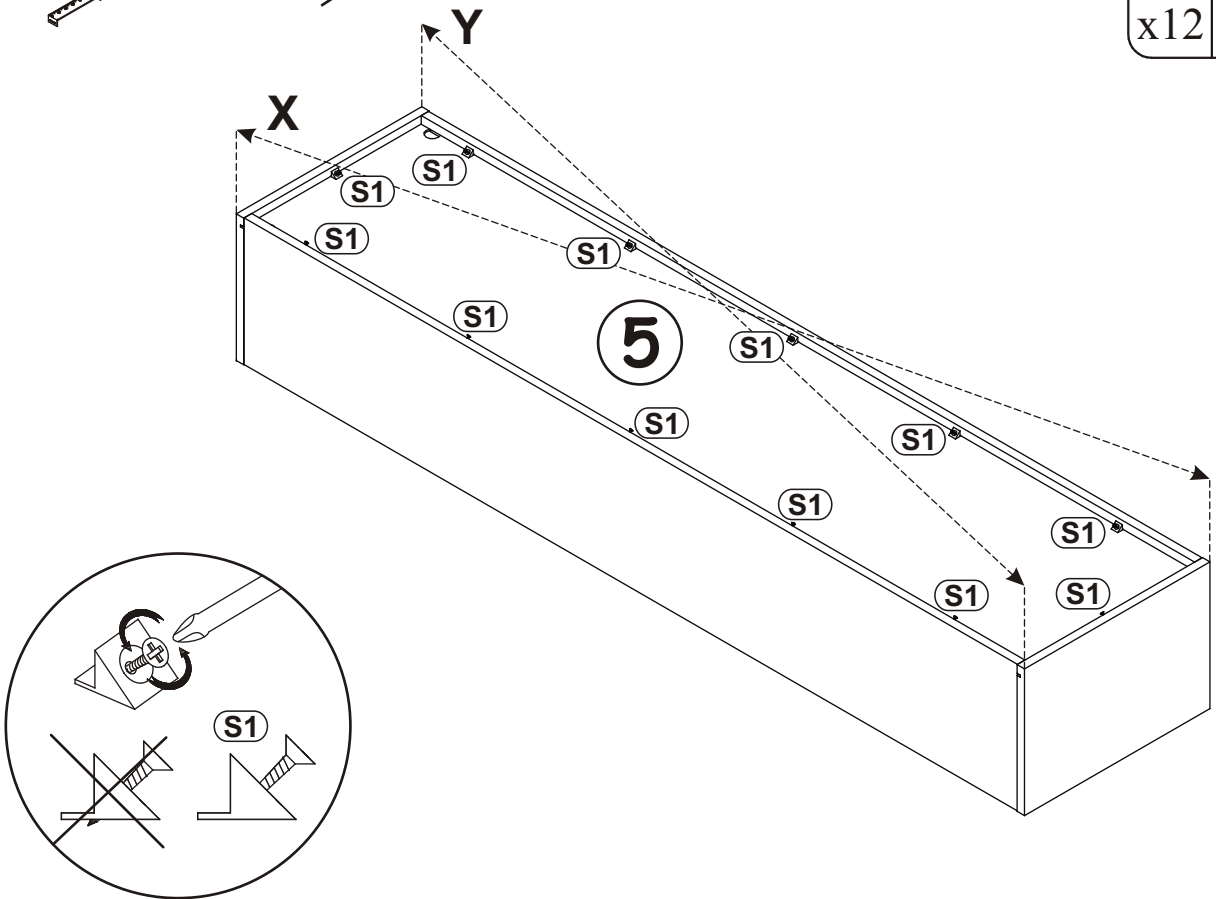
G5	
x4	



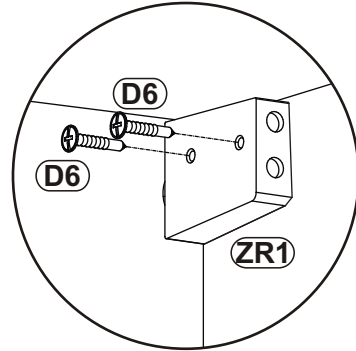
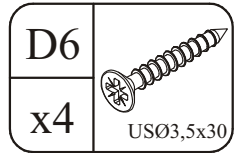
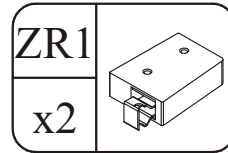
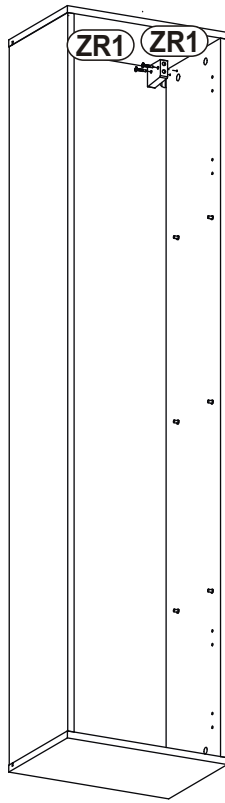
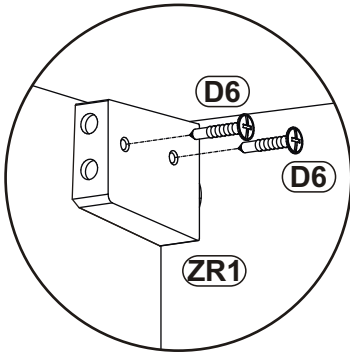
6



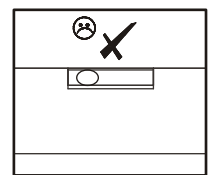
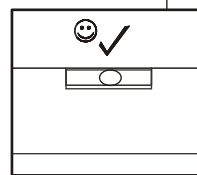
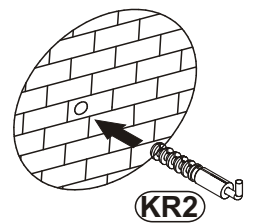
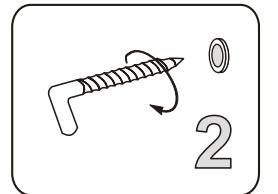
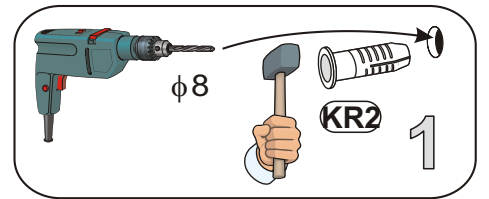
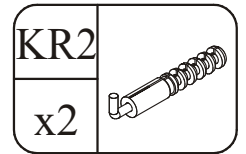
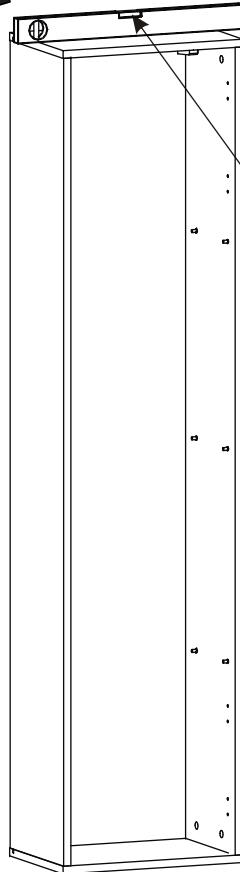
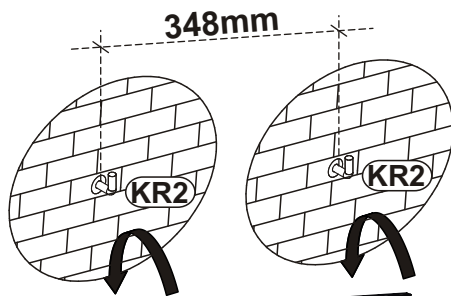
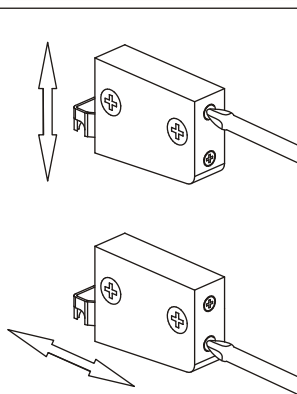
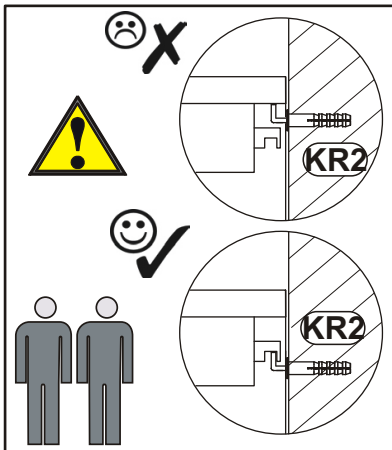
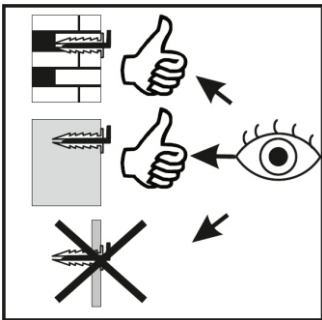
S1	
x12	



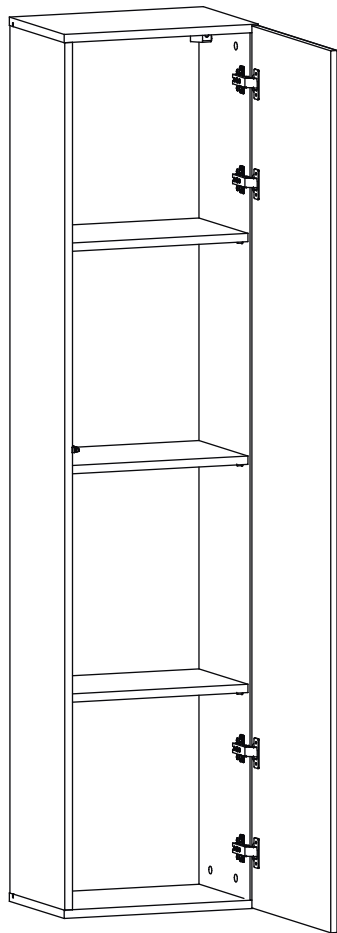
7



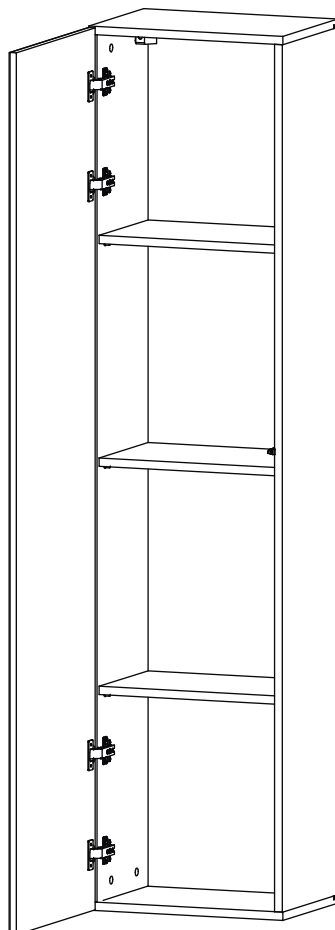
8



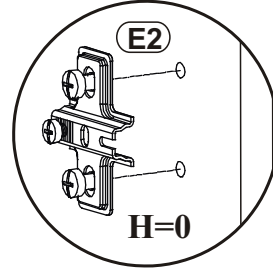
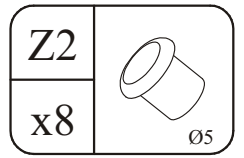
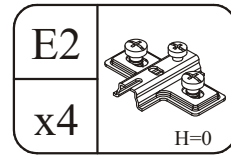
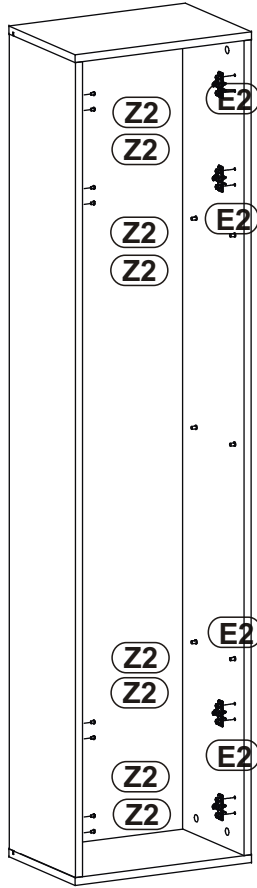
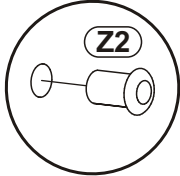
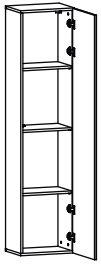
9-10



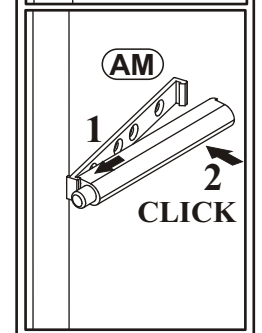
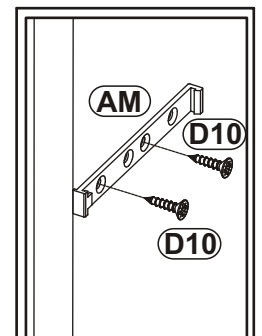
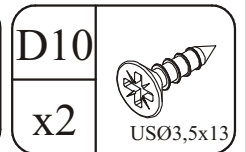
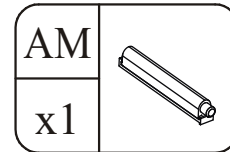
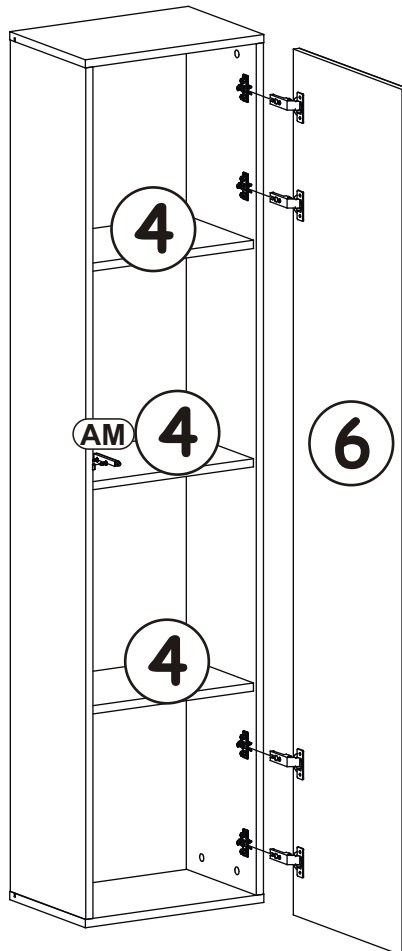
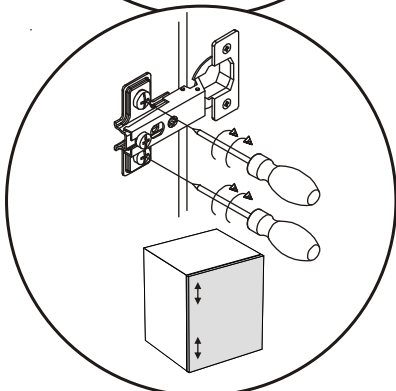
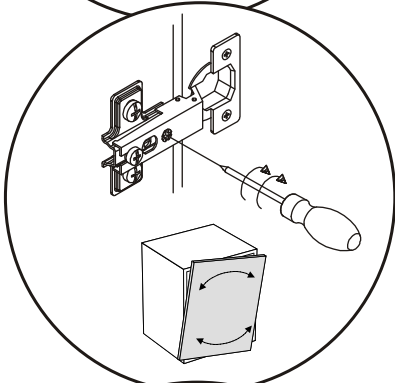
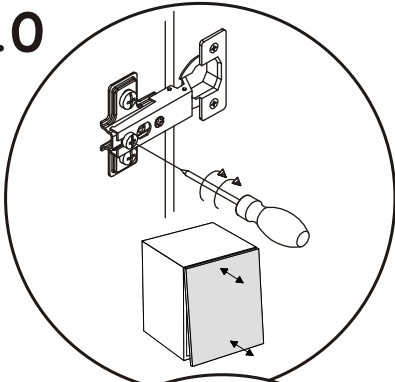
11-12



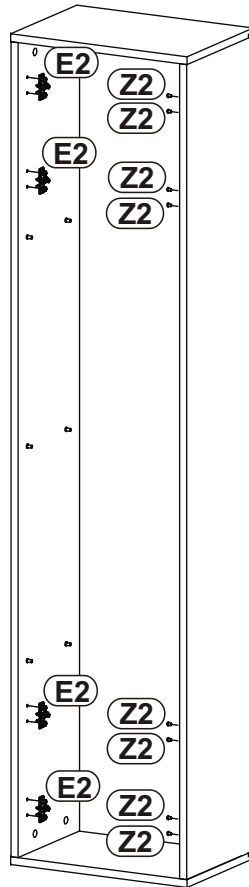
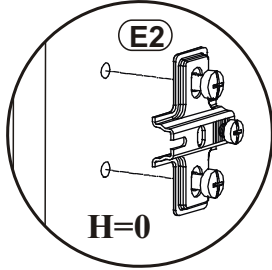
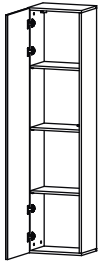
9

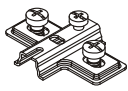



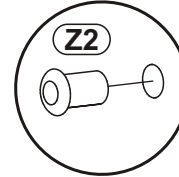
10



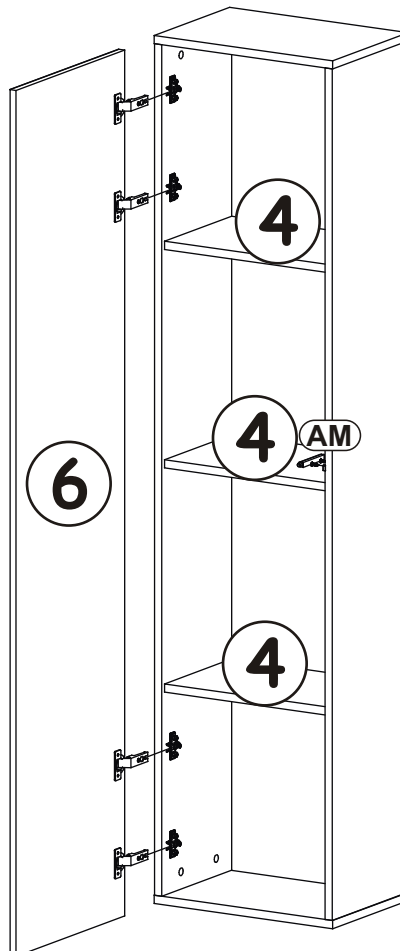
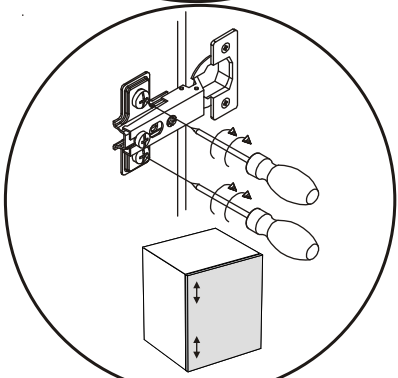
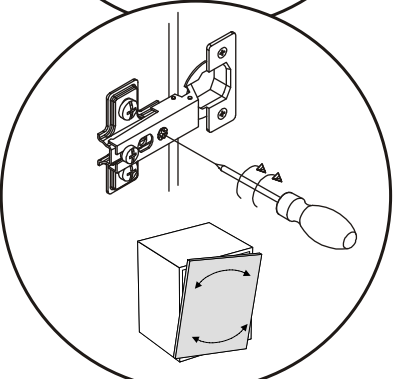
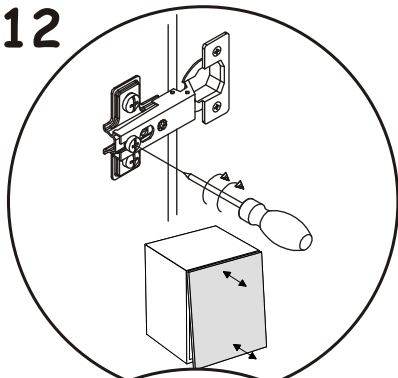
11

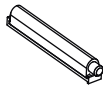



E2		Z2	
x4	H=0	x8	Ø5



12



AM		D10	
x1		x2	USØ3,5x13

