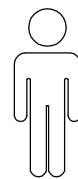
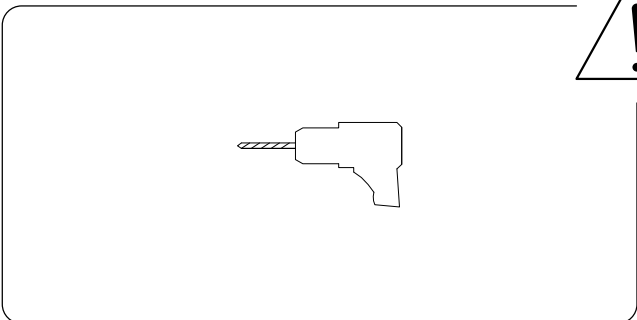
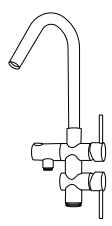

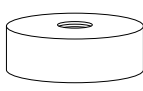


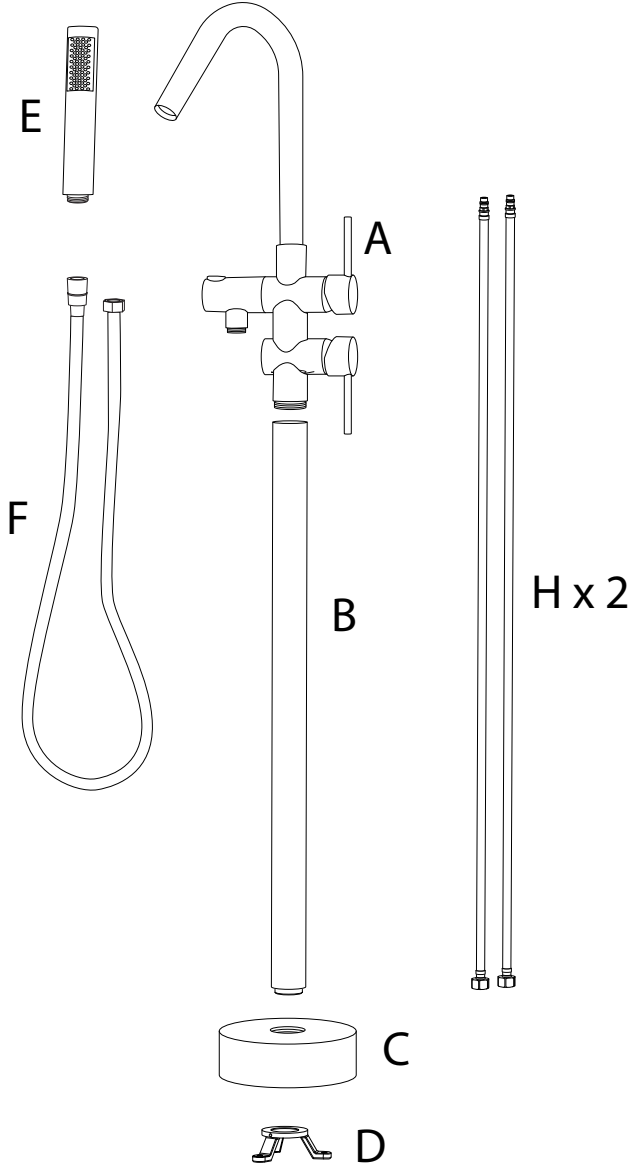


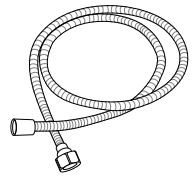

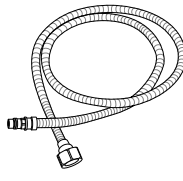
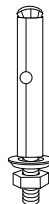
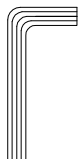
20'



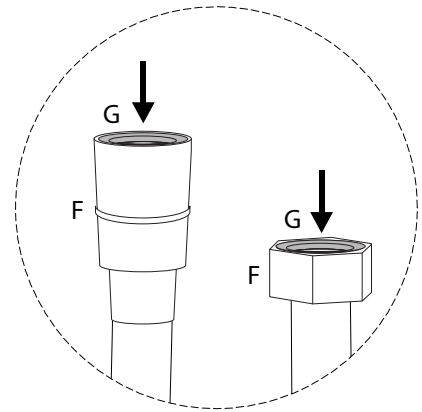
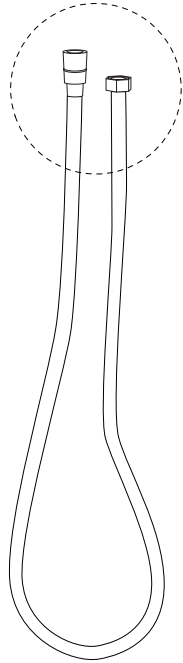
1

A	B	C	D	E
				
x 1	x 1	x 1	x 1	x 1



F	G	H	I	J
				
x 1	x 2	x 2	x 3	x 1

!



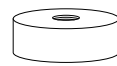
1

B

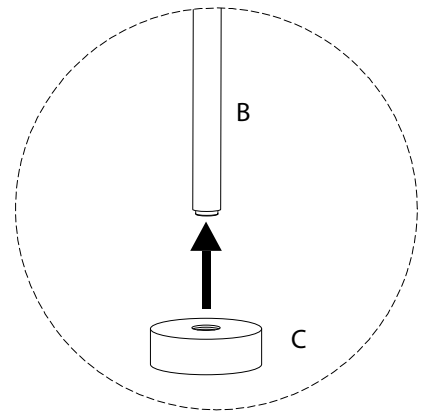
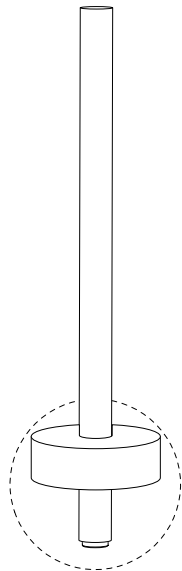


x 1

C



x 1



2

D

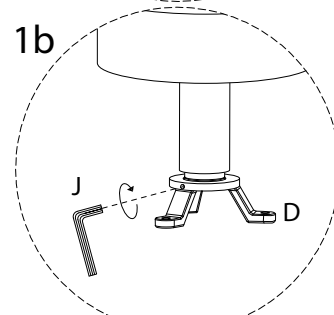
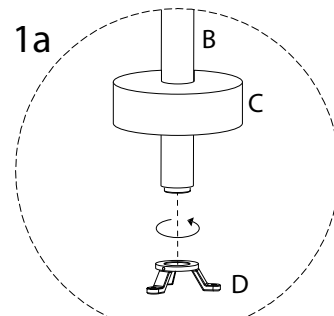
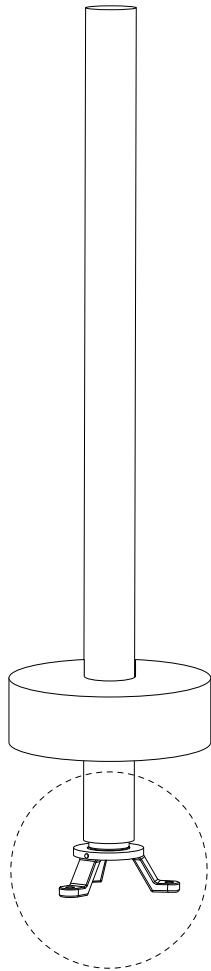


x 1

J



x 1

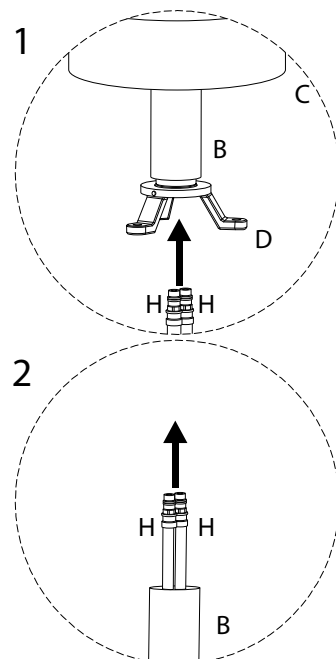
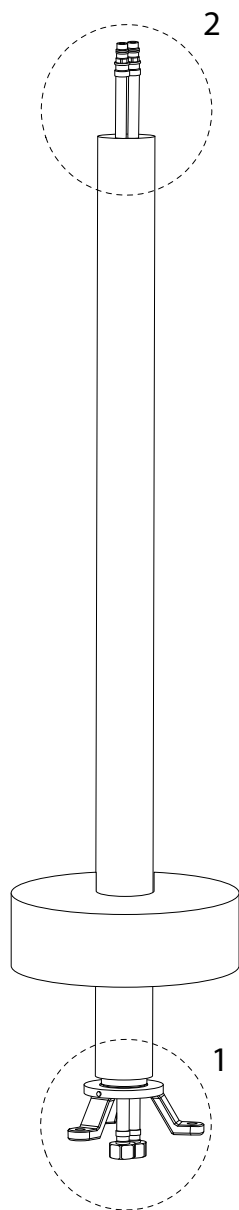


3

H



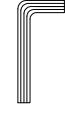
x 2

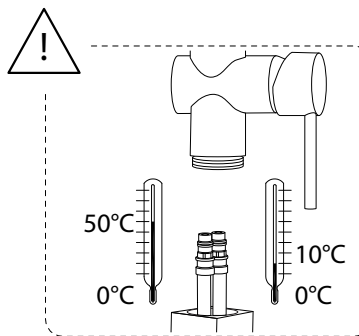
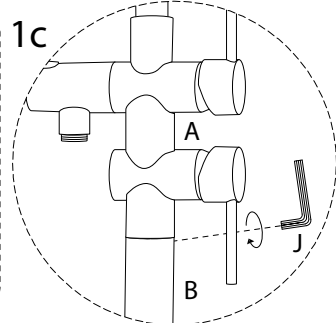
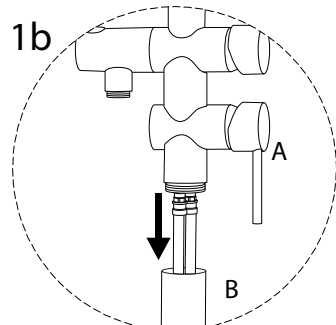
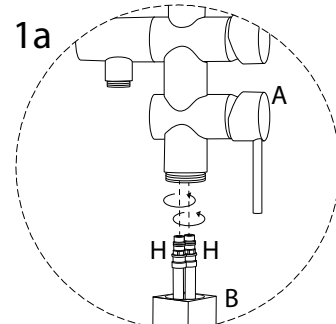
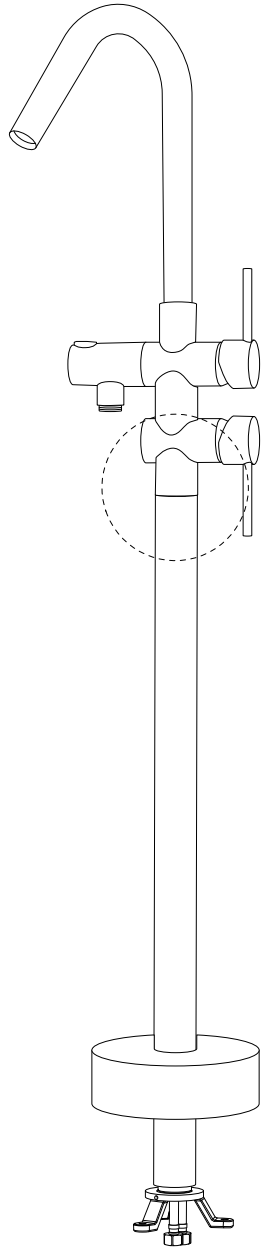


4

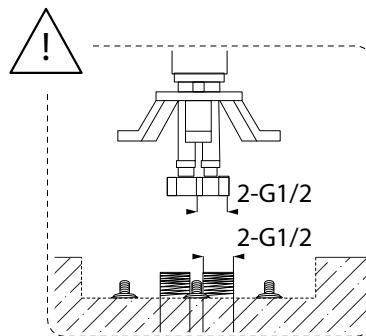
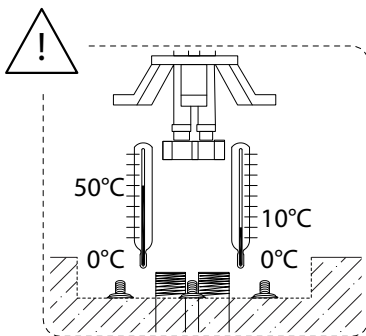
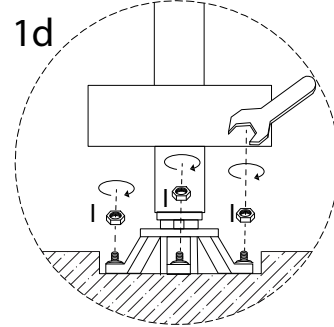
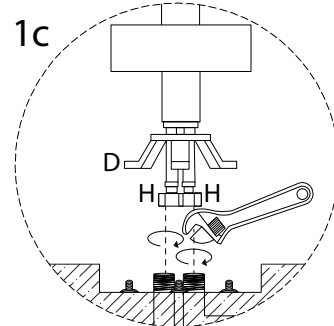
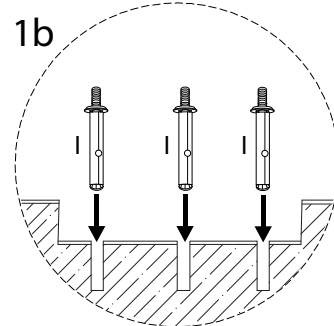
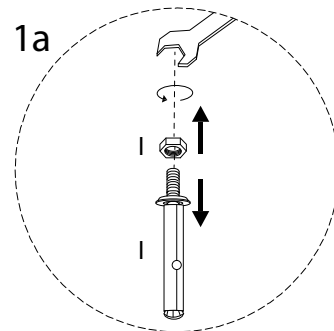
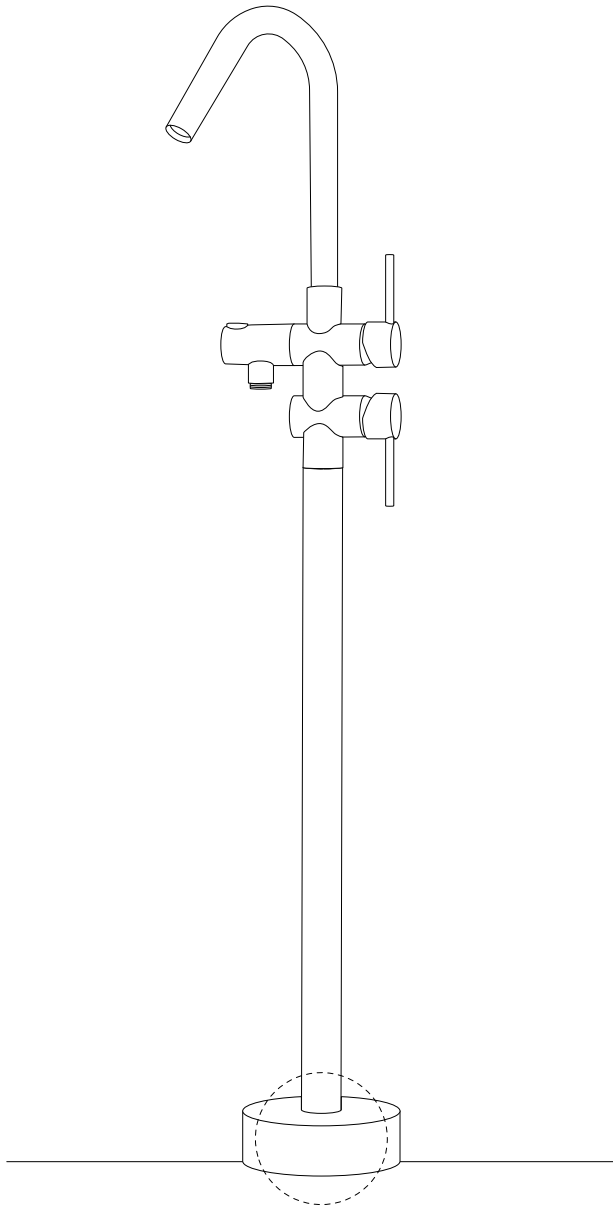
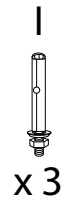
A

x 1

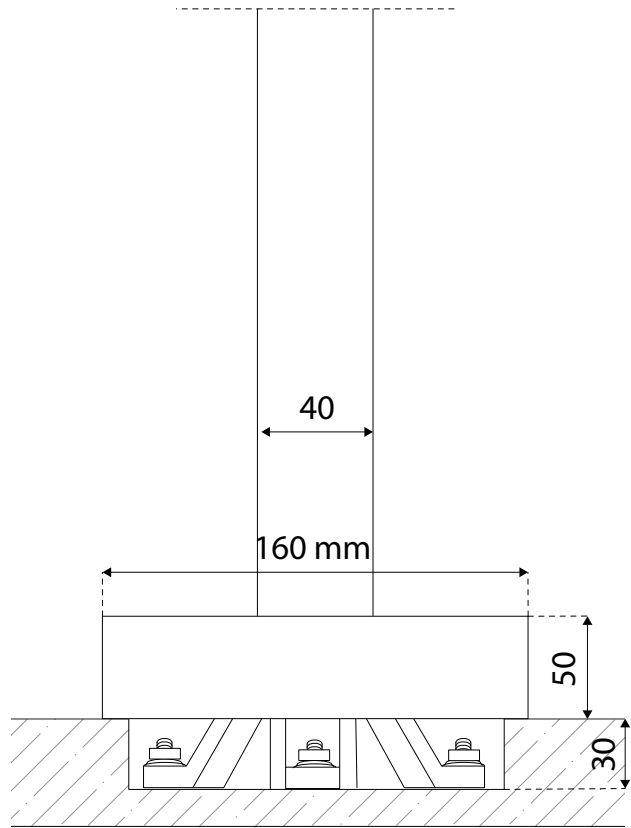
J

x 1



5



!



6

E



x1

F



x1

G



x2

