

# CEILING FAN LIGHT KIT INSTALLATION INSTRUCTION

## READ AND SAVE THESE INSTRUCTIONS

### WARNING! RISK OF ELECTRIC SHOCK

All electrical connections must be in accordance with local codes, ordinances, or national codes. If you are unfamiliar with methods of installing electrical wiring, secure the services of a qualified electrician.

Before starting installation, disconnect the power by turning off the circuit breaker or removing the fuse at fuse block. Turning power off using fan switch (speed control on/off) is not sufficient to prevent electrical shock.

**NOTE:** The important safeguards and instructions appearing in this manual are not meant to cover all possible conditions and situations that may occur. It must be understood that common sense, caution and care are factors which cannot be built into any product. These factors must be supplied by the person (s) caring for and operating the unit.

1. Remove and discard the center plug from the switch cup. Attach the LED light kit to the switch cup by feeding the wires and threading the light kit through the hole of the switch cup, secure it to the switch cup by nut & lock washer. Be sure it is tight enough to prevent the light kit from vibrating loose. (Fig. 1)
2. Locate two single white and blue wires in the switch housing labeled "FOR LIGHT". Make the wire connections as follows and secure with the wire nuts provided: (Fig. 1)
  - Connect white wire from switch cup to white wire from light kit
  - Connect blue wire from switch cup to black from light kit
3. While holding the light kit assembly, firmly snap the wire molaxes together. Next, slide light kit assembly up against plate and rotate it until the screw holes are aligned. Secure light kit assembly to plate using the screws removed earlier. (Fig. 2)
4. Restore power and your light kit is ready for operation.

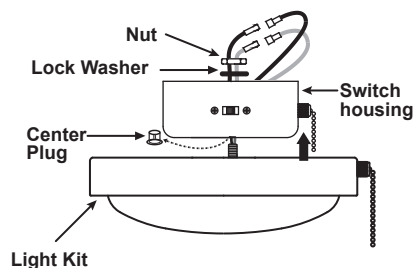


Figure 1

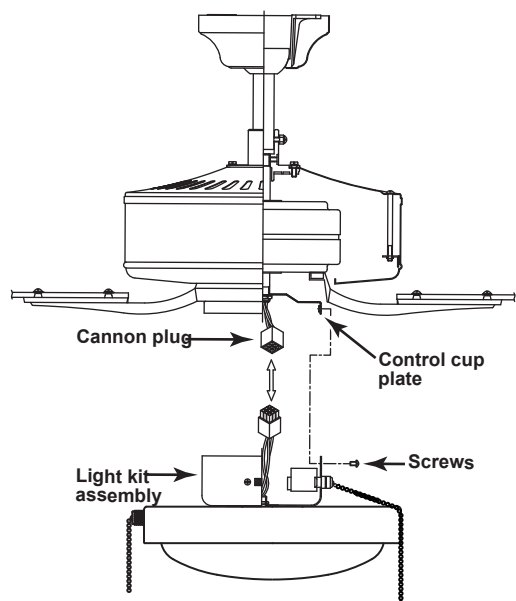


Figure 2