


# ASSEMBLY INSTRUCTION

(A)  3.5x30=112x

## PARTS

① x4

② x4

③ x4

④ x4

⑤ x8

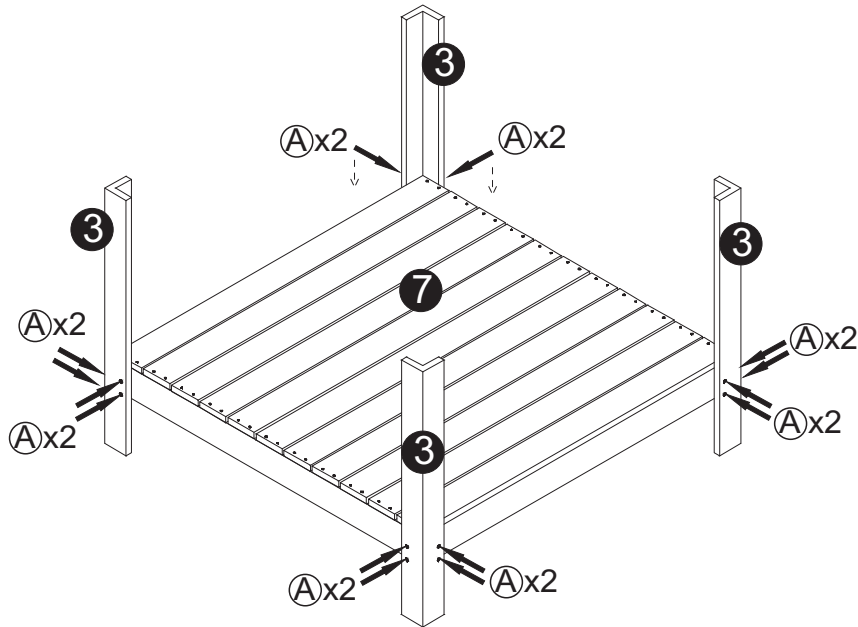
⑥ x4

⑦

⑧ x2

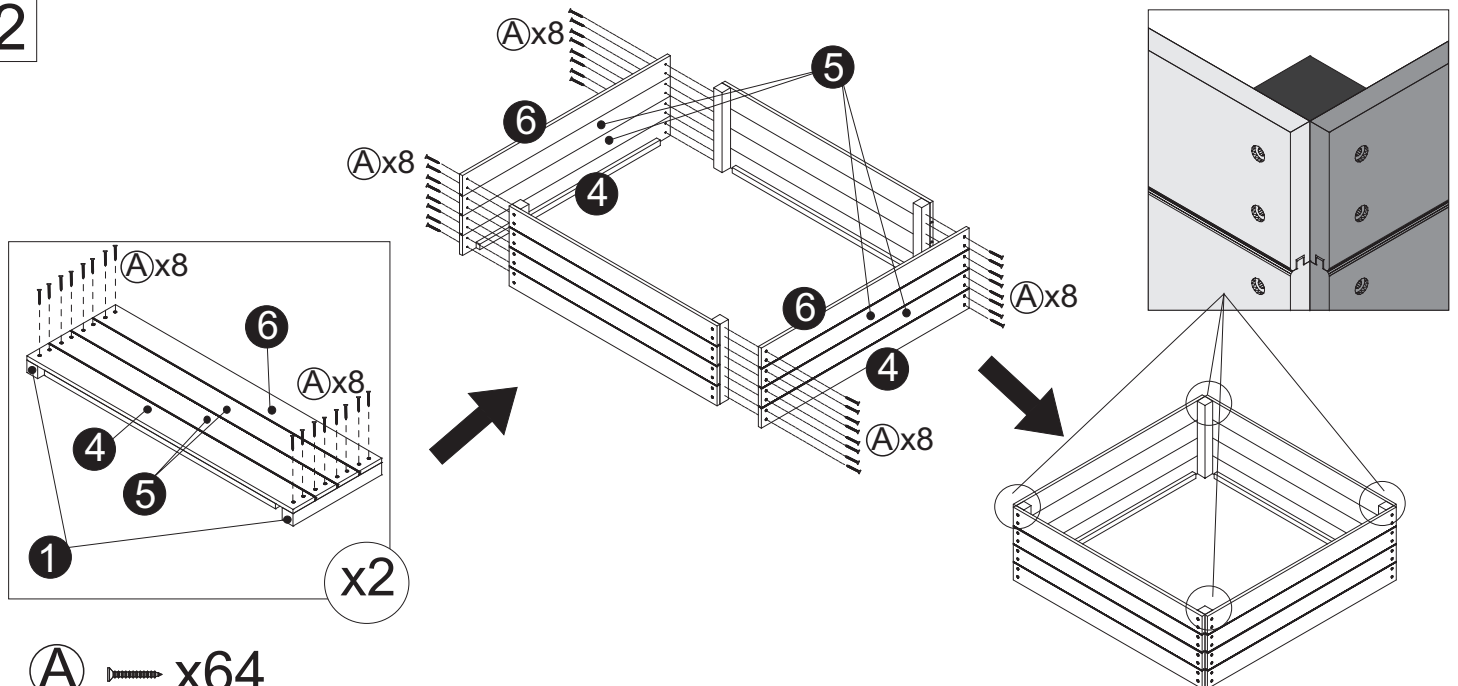
## ASSEMBLY

1



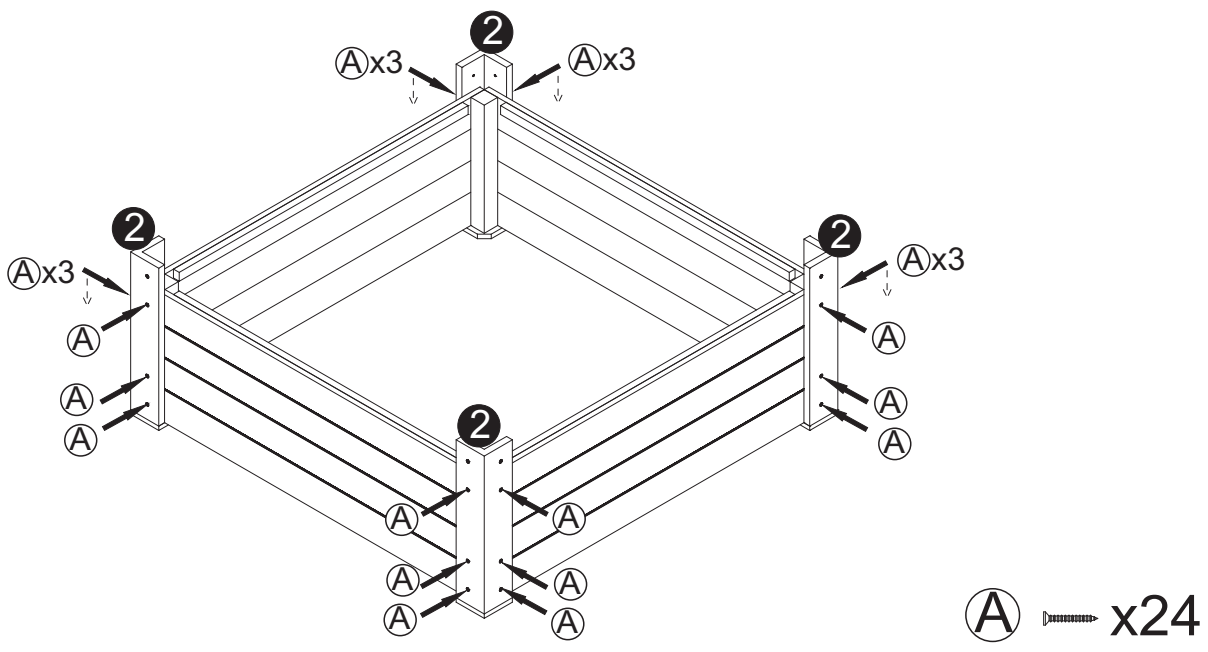
(A)  x16

2

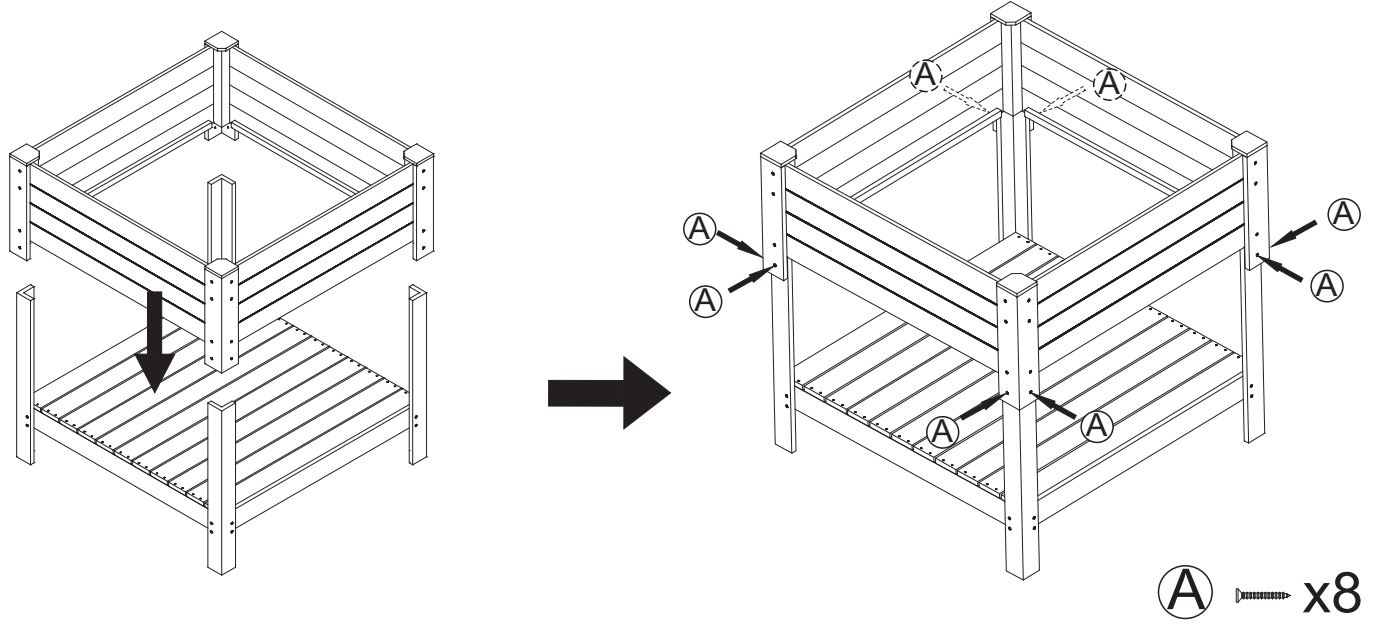


(A)  x64

3



4



5

