

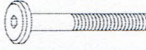

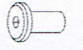

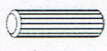
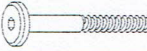






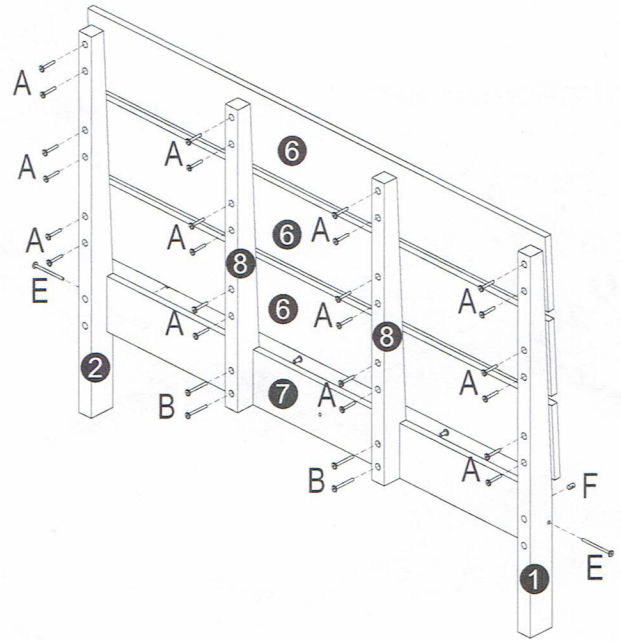
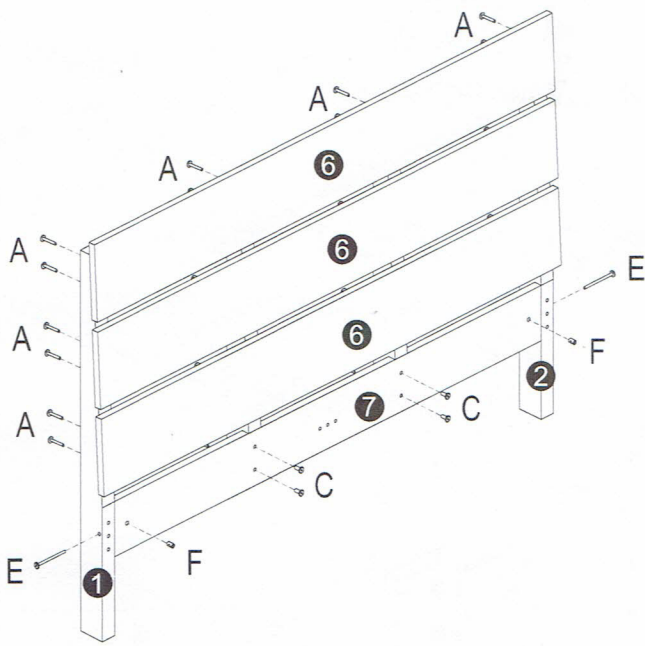


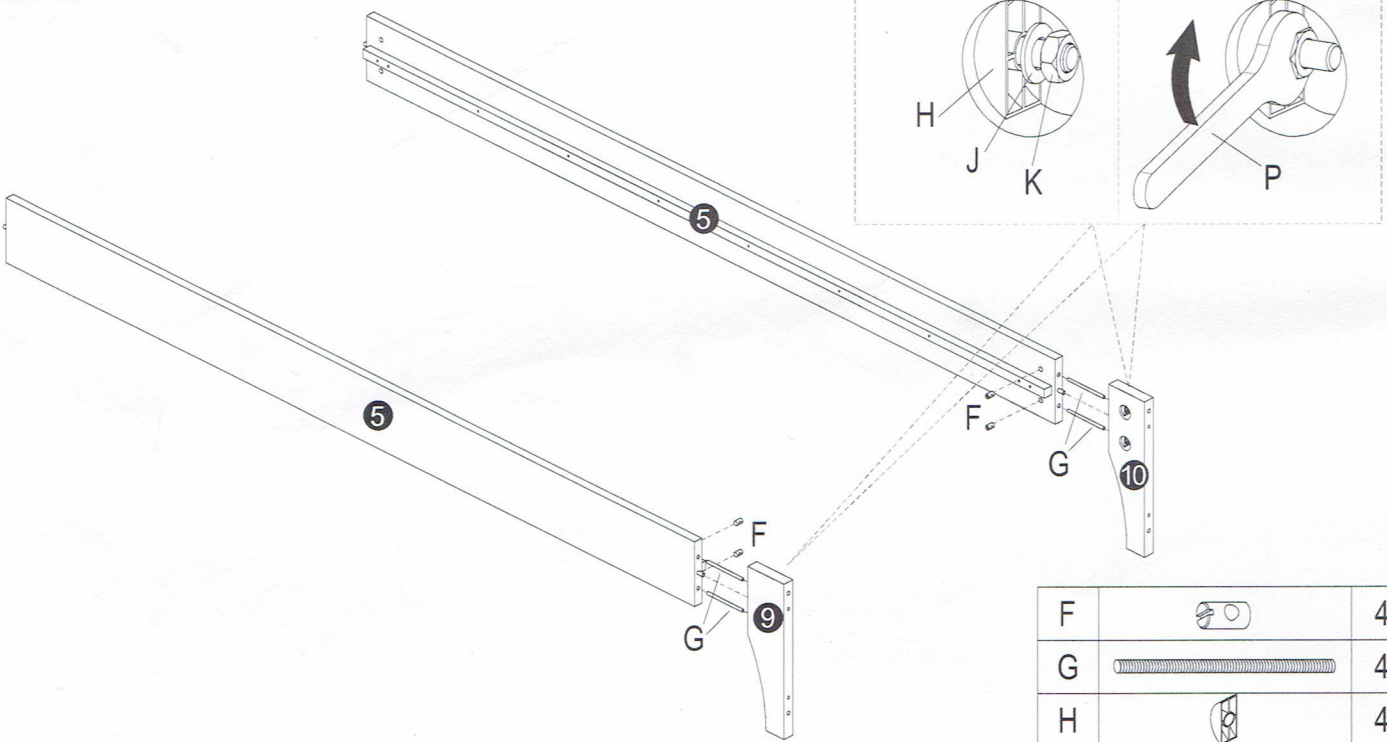
A	 M6x40	24	H		8
B	 M6x60	4	J		8
C	 Φ8x20	4	K		8
D	 Φ8x30	18	L	 Φ6x70	8
E	 M6x90	6	M	 Φ4x30	52
F		14	N		1
G		8	P		1

STEP 2



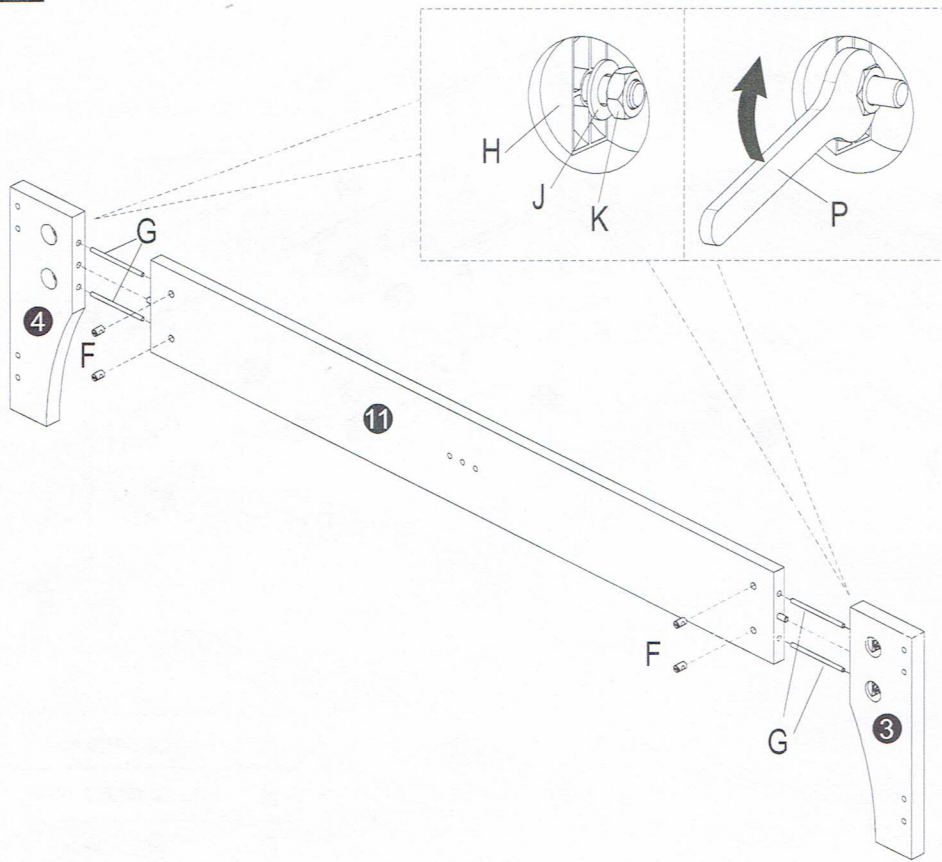
A		24
B		4
C		4
E		2
F		2

STEP 3



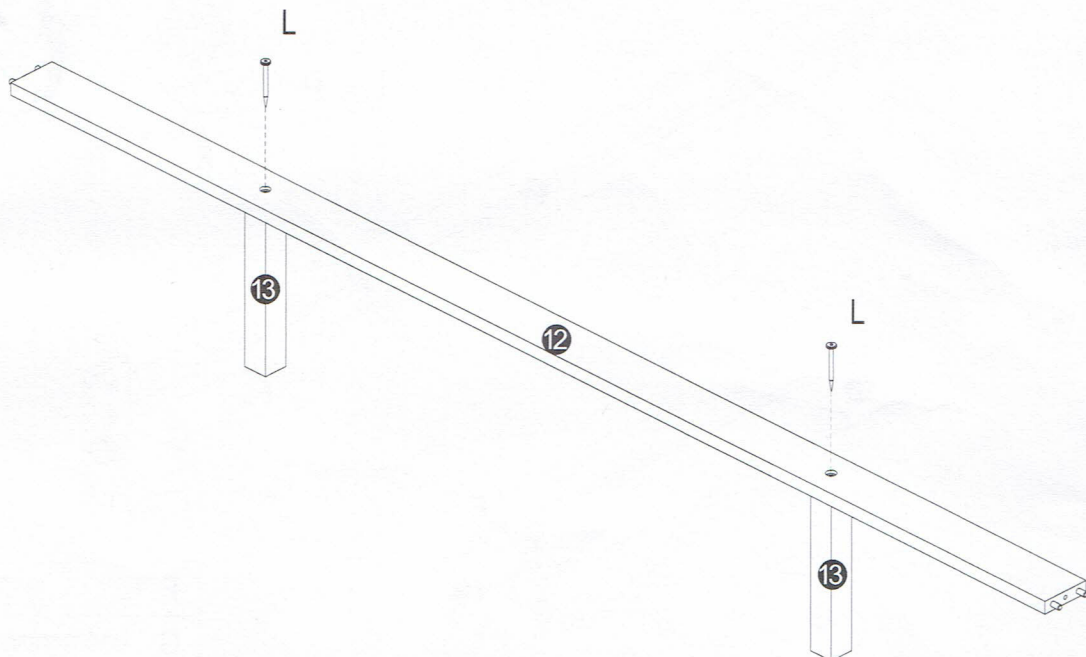
F		4
G		4
H		4
J		4
K		4
P		1

STEP 4



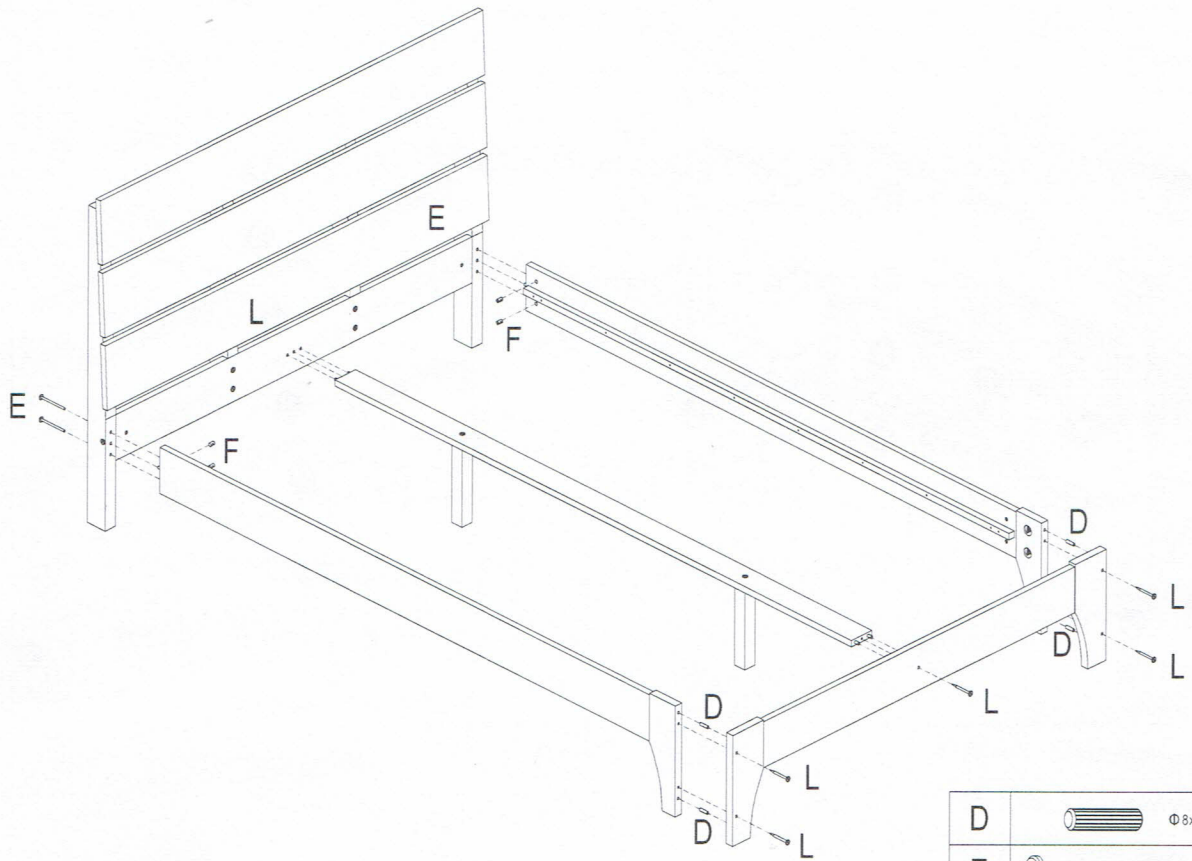
F		4
G		4
H		4
J		4
K		4
P		1

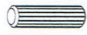



STEP 5



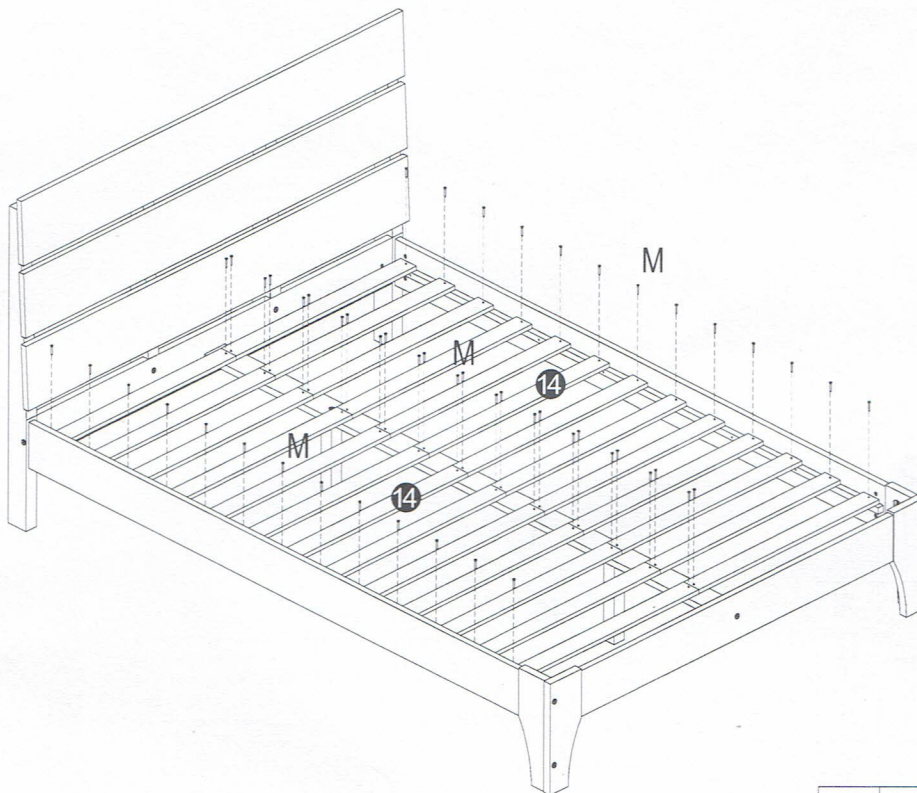
L		2
---	--	---


STEP 6



D	 $\Phi 8 \times 30$	4
E	 $M6 \times 90$	4
F		4
L	 $\Phi 6 \times 70$	6

STEP 7



M	 $\Phi 4 \times 30$	52
---	--	----