




WARNING!

Children have died from furniture tipover. Fixed wall device have been included with this product;you must install the fixed wall device according to these instructions in order to minimize the risk of furniture.If you have any questions about this product or the Fixed wall device , please contact us immediately.

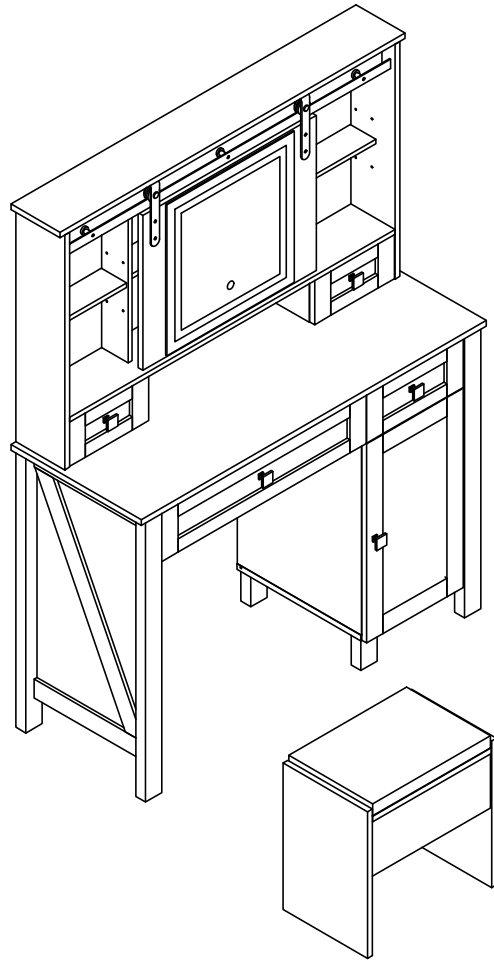
Never allow children to climb or hang on furniture,including drawers or cabiner doors.

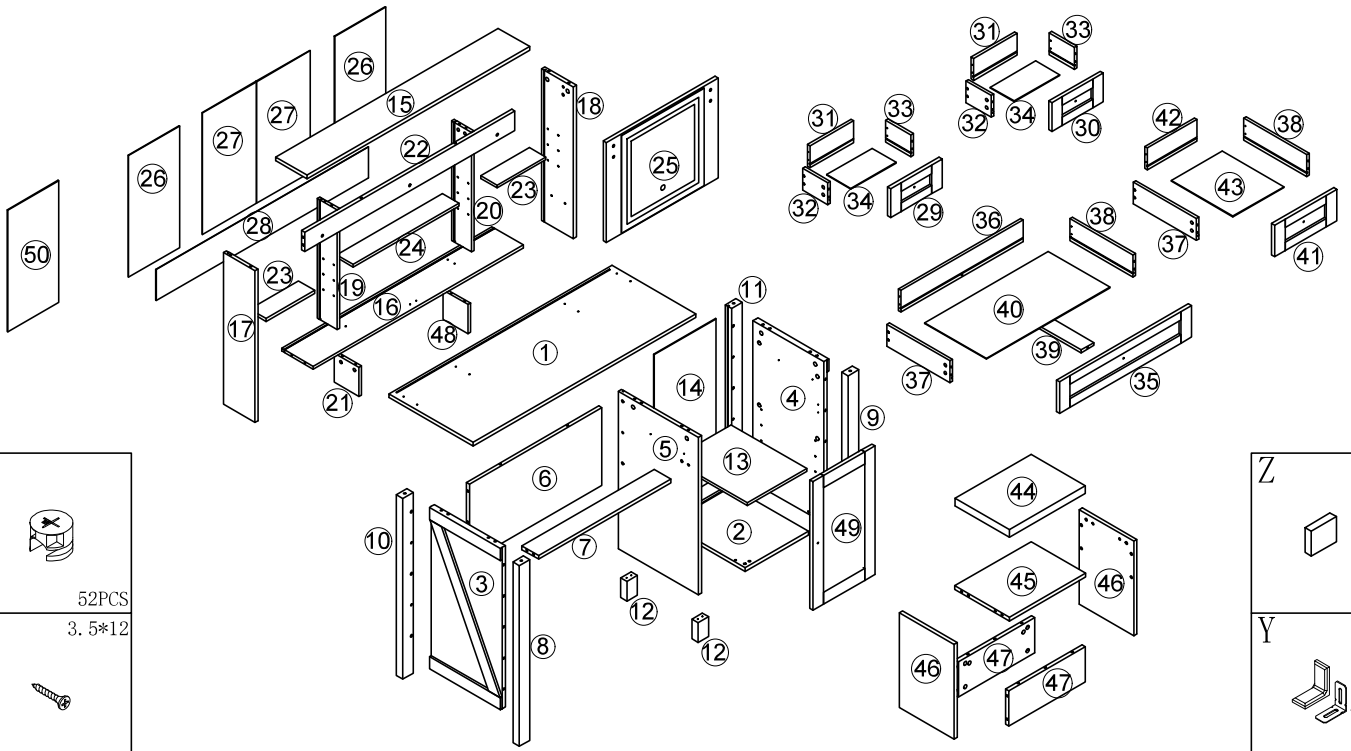
In addition to installing the restrains,to help prevent tip-over.



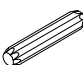





1. Never put a TV or other heavy objects on top of this product.
2. Do not stand on the product.



⚠ WARNING	
	<p>Children have died from furniture tipover. To reduce the risk of furniture tipover:</p> <ul style="list-style-type: none">• ALWAYS install tipover restraint provided.• NEVER put a TV on this product.• NEVER allow children to stand, climb or hang on drawers, doors, or shelves.• NEVER open more than one drawer at a time.• Place heaviest items in the lowest drawers.• Do not defeat or remove the drawer interlock system.
	<p><i>This is a permanent label. Do not remove!</i></p>


Installation & Assembly

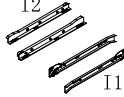






<p>A</p>  <p>52PCS</p>	<p>B</p>  <p>52PCS</p>
<p>C</p>  <p>32PCS</p>	<p>D</p>  <p>28PCS</p>
<p>E</p>  <p>32PCS</p>	<p>F</p>  <p>2PCS</p>
<p>O</p>  <p>8PCS</p>	<p>P</p>  <p>4PCS</p>


<p>G</p>   <p>30PCS</p>


<p>H</p>  <p>16PCS</p>


<p>I</p>  <p>2PCS</p>
--


<p>J</p>  <p>2PCS</p>
--


<p>K</p>  <p>18PCS</p>

<p>L</p>  <p>5PCS</p>
--

<p>M</p>  <p>4PCS</p>
--

<p>N</p>  <p>1PCS</p>
--

<p>Q</p>  <p>5PCS</p>
--

<p>R</p>  <p>1PCS</p>
--

<p>S</p>  <p>2PCS</p>
--

<p>T</p>  <p>3PCS</p>
--

<p>U</p>  <p>1PCS</p>
--

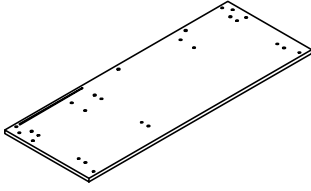
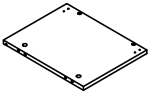
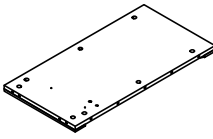
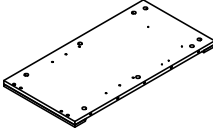
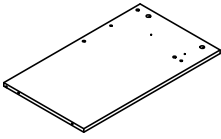
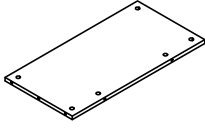
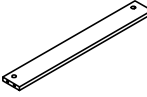
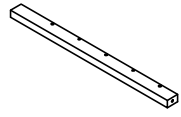
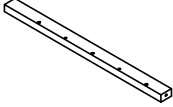
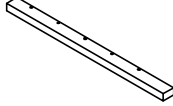
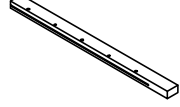

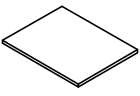
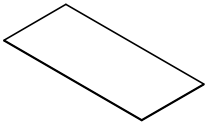
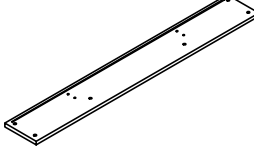
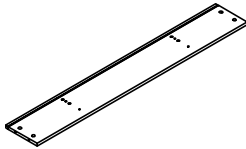
<p>V</p>  <p>4PCS</p>
--

<p>W</p>  <p>3PCS</p>
--

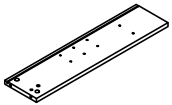
<p>X</p>  <p>2PCS</p>
--

<p>Y</p>  <p>2PCS</p>
--

<p>Z</p>  <p>1PCS</p>
--

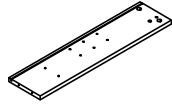
<p>1</p>  <p>1060*400 1PS</p>	<p>2</p>  <p>301*381 1PS</p>	<p>3</p>  <p>665*338 1PS</p>	<p>4</p>  <p>665*338 1PS</p>
<p>5</p>  <p>649*381 1PS</p>	<p>6</p>  <p>630*320 1PS</p>	<p>7</p>  <p>630*80 1PS</p>	<p>8</p>  <p>745*50 1PS</p>
<p>9</p>  <p>745*50 1PS</p>	<p>10</p>  <p>745*50 1PS</p>	<p>11</p>  <p>745*50 1PS</p>	<p>12</p>  <p>81*50 2PS</p>
<p>13</p>  <p>282*360 1PS</p>	<p>14</p>  <p>656*295 1PS</p>	<p>15</p>  <p>1060*150 1PS</p>	<p>16</p>  <p>1000*150 1PS</p>

17



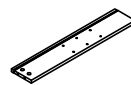
625*150 1PS

18



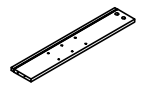
625*150 1PS

19



493*95 1PS

20



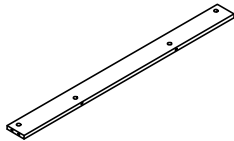
493*95 1PS

21



120*119 1PS

22



1000*80 1PS

23



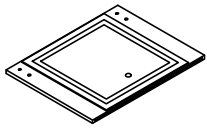
232*78 2PS

24



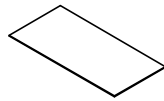
503*78 1PS

25



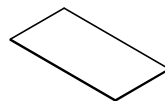
532*412 1PS

26



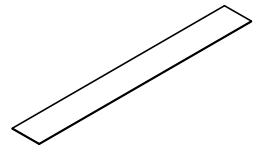
501*243 2PS

27



501*256 2PS

28



1010*127 1PS

29



245*118 1PS

30



245*118 1PS

31



208*90 2PS

32

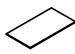
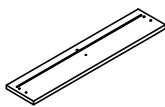




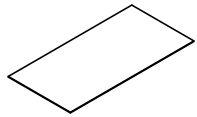


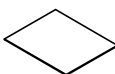
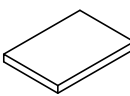
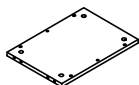
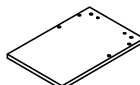
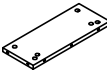

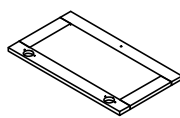
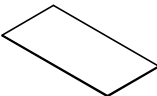


120*90 2PS

33



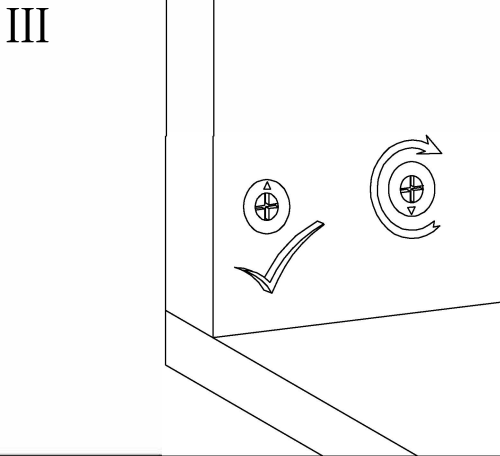
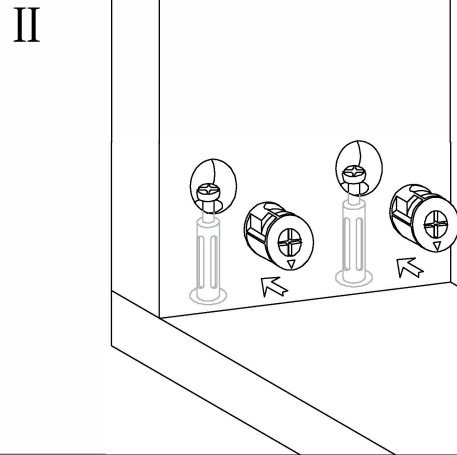
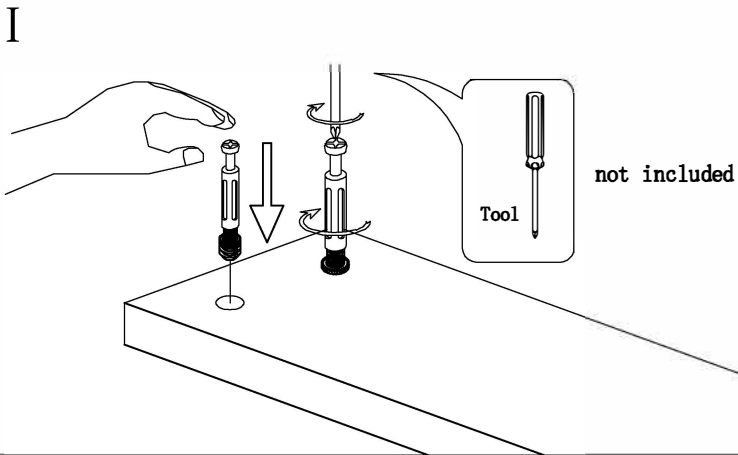
120*90 2PS

<p>34</p>  <p>215*114 2PS</p>	<p>35</p>  <p>628*130 1PS</p>	<p>36</p>  <p>581*90 1PS</p>	<p>37</p>  <p>300*90 2PS</p>	<p>38</p>  <p>300*90 2PS</p>
<p>39</p>  <p>287*60 1PS</p>	<p>40</p>  <p>588*294 1PS</p>	<p>41</p>  <p>296*130 1PS</p>	<p>42</p>  <p>236*90 1PS</p>	
<p>43</p>  <p>243*294 1PS</p>	<p>44</p>  <p>364*260 1PS</p>	<p>45</p>  <p>364*260 1PS</p>	<p>46</p>  <p>390*260 2PS</p>	
<p>47</p>  <p>364*146 2PS</p>	<p>48</p>  <p>120*119 1PS</p>	<p>49</p>  <p>530*296 1PS</p>	<p>50</p>  <p>480*232 1PS</p>	

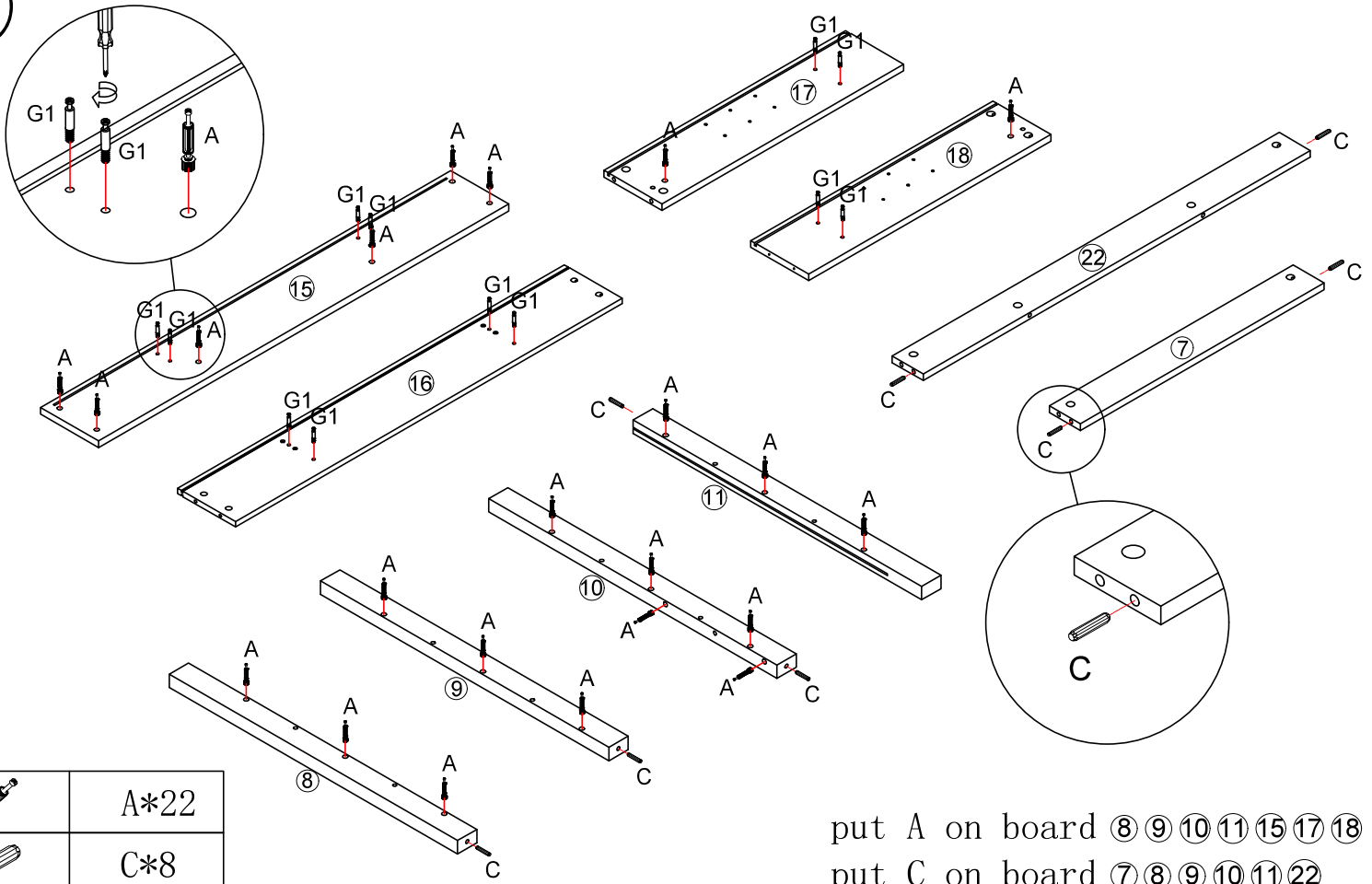



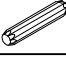

Hardware installation demonstration

NOTE: Please make sure "A" hardware tightened and can't be pulled out!



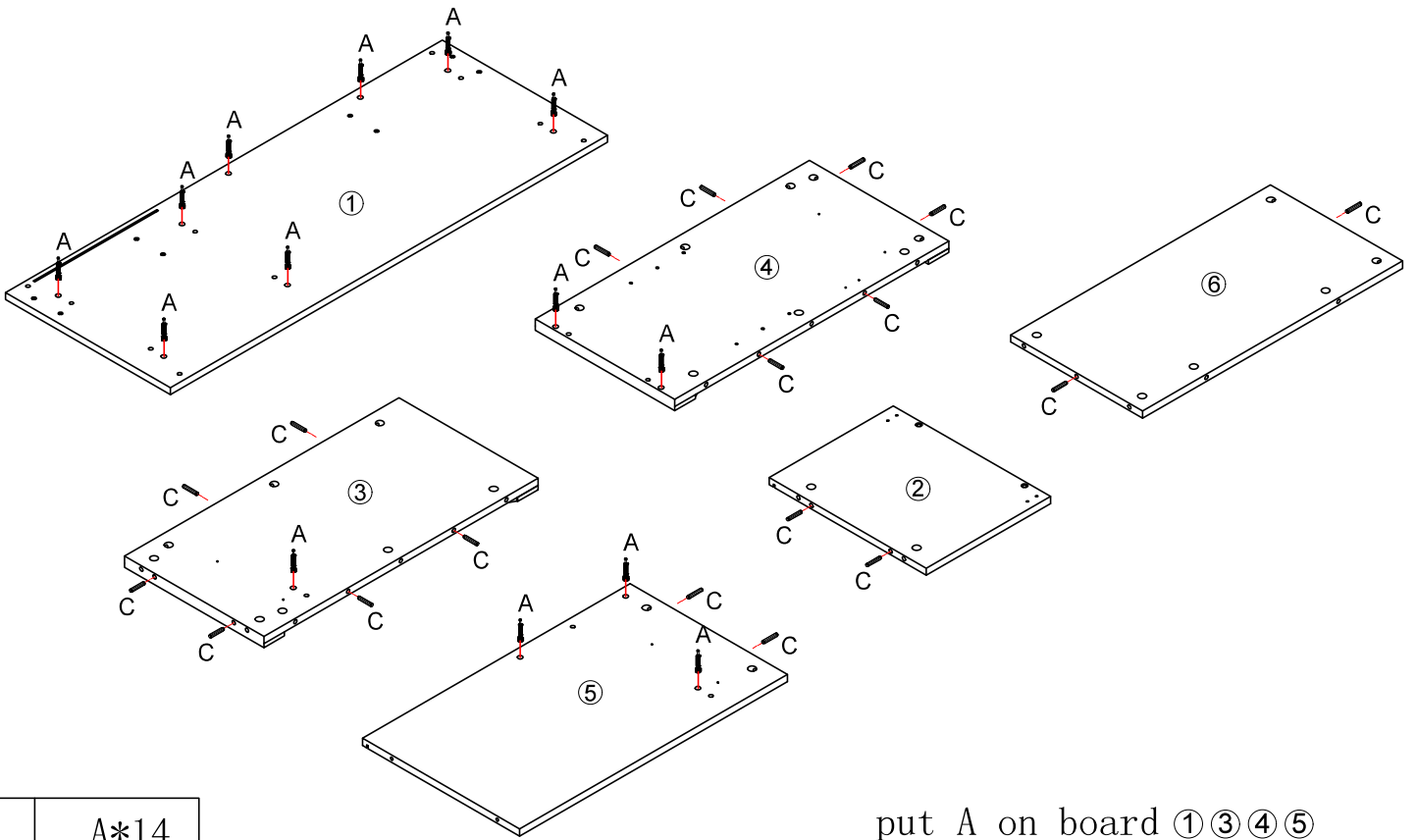
1


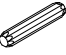


	A*22
	C*8
	G1*12

put A on board ⑧ ⑨ ⑩ ⑪ ⑮ ⑰ ⑱
 put C on board ⑦ ⑧ ⑨ ⑩ ⑪ ⑳
 put G1 on board ⑮ ⑯ ⑰ ⑱

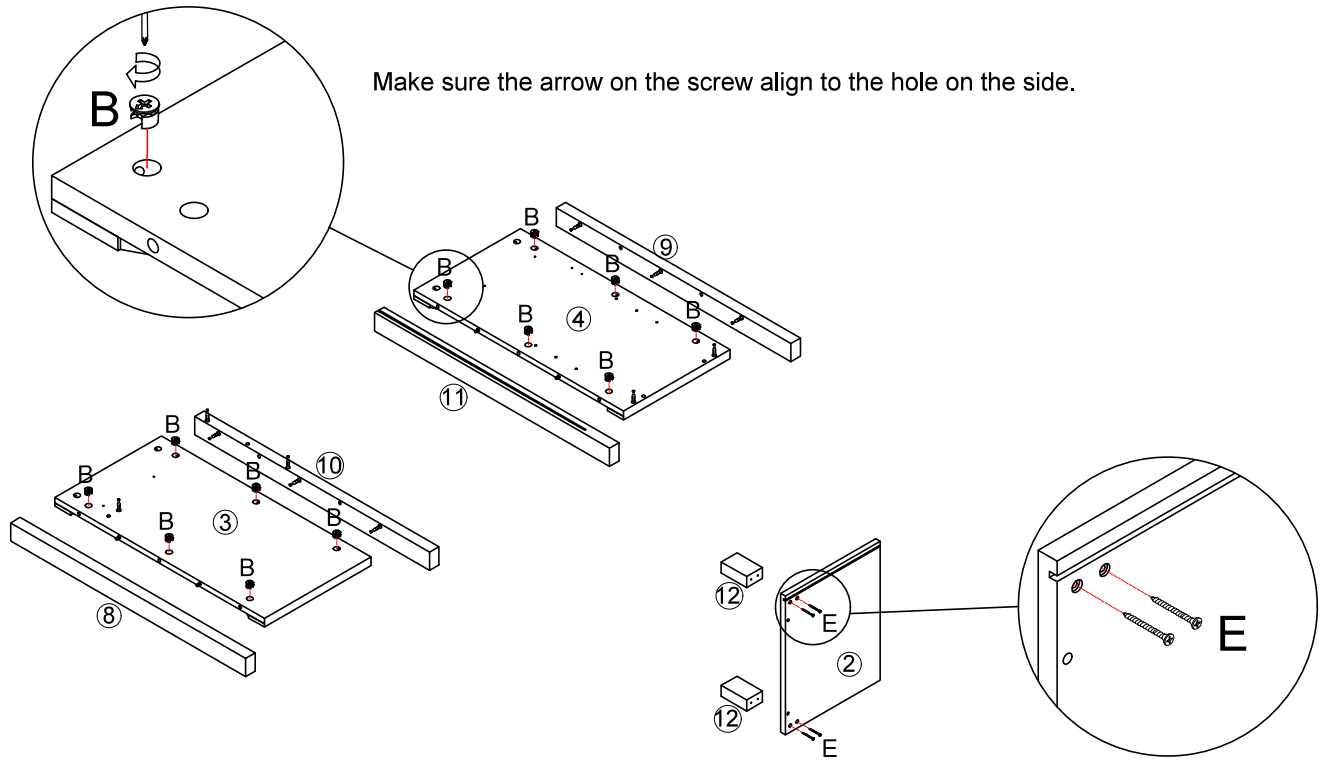
2




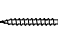
	A*14
	C*18

put A on board ①③④⑤
put C on board ②③④⑤⑥

3

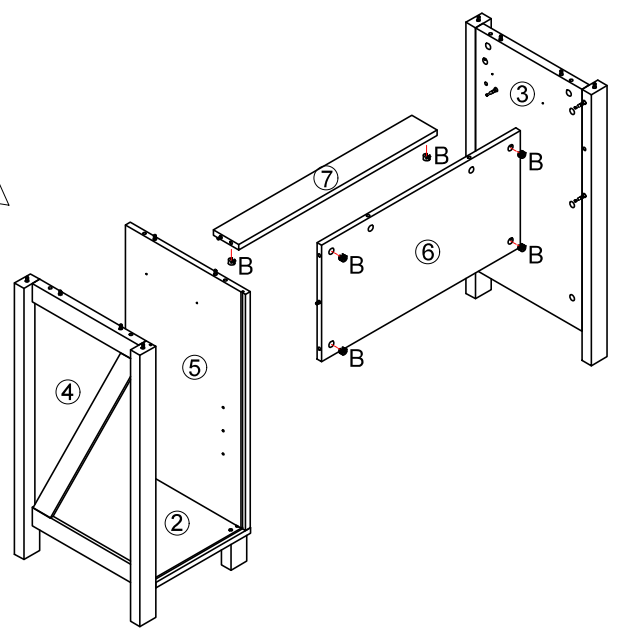
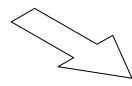
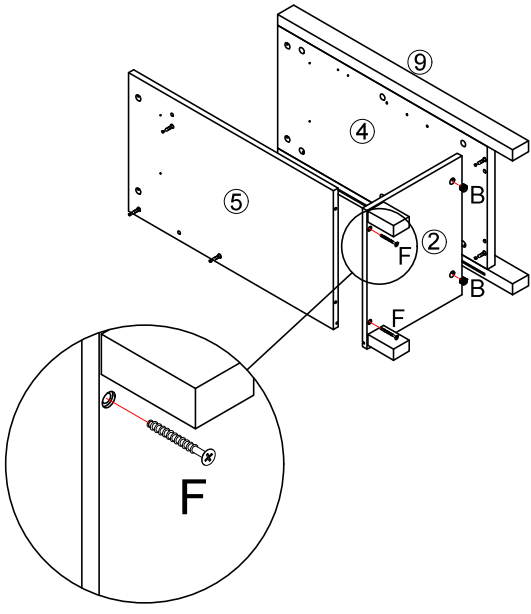




Make sure the arrow on the screw align to the hole on the side.

	B*12
	E*4

put B on board ③④

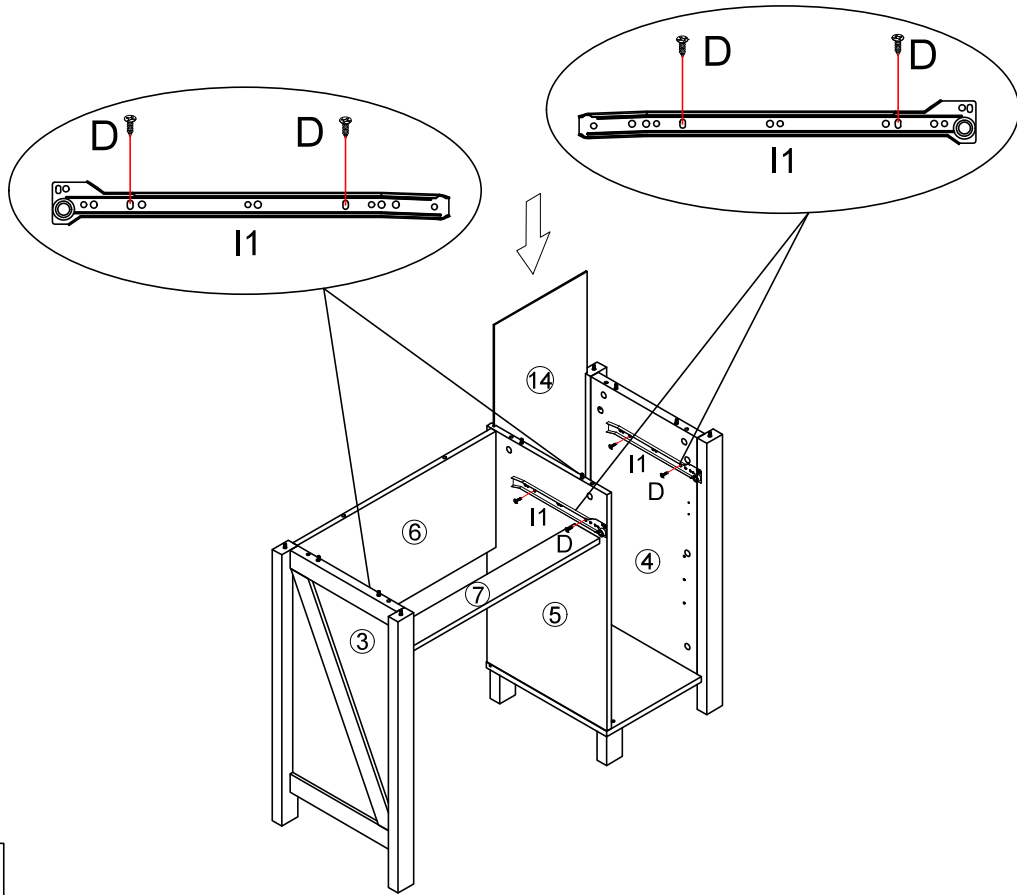
4





	B*8
	F*2

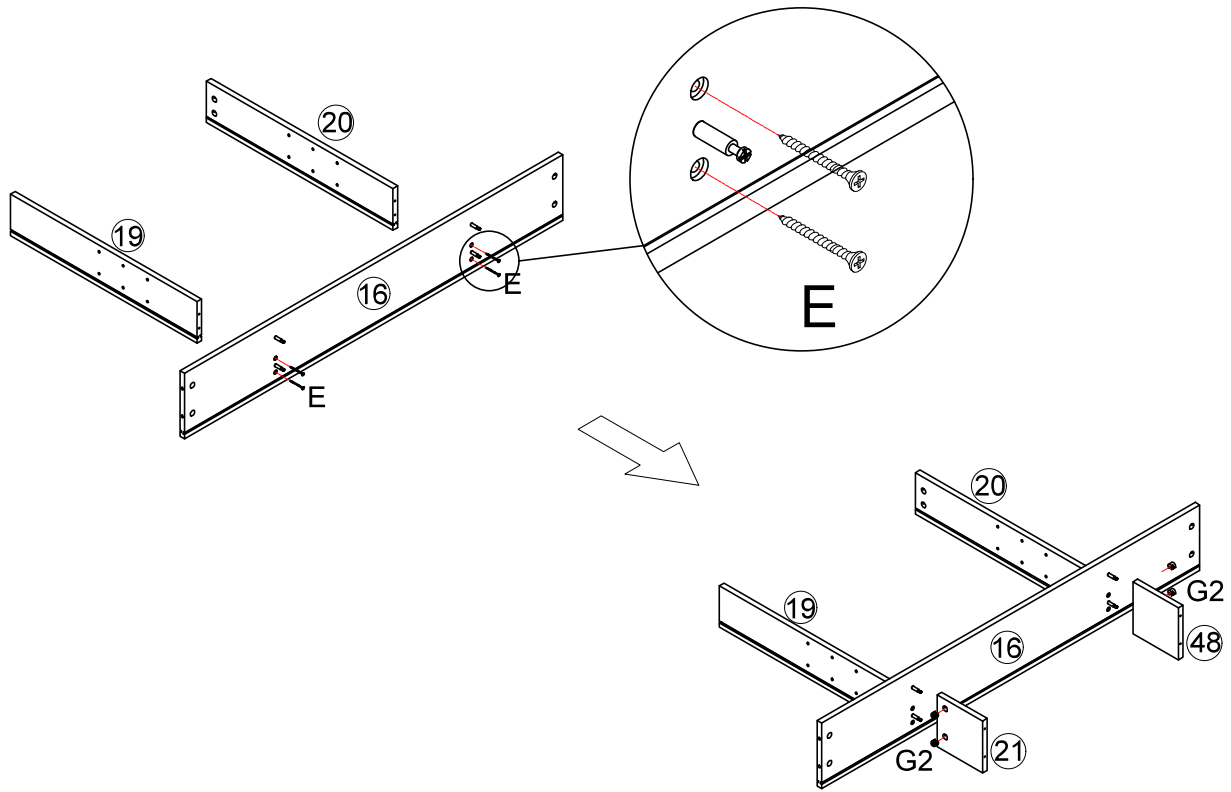
put B on board ②⑥⑦

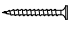

5



	D*8
	I1*2

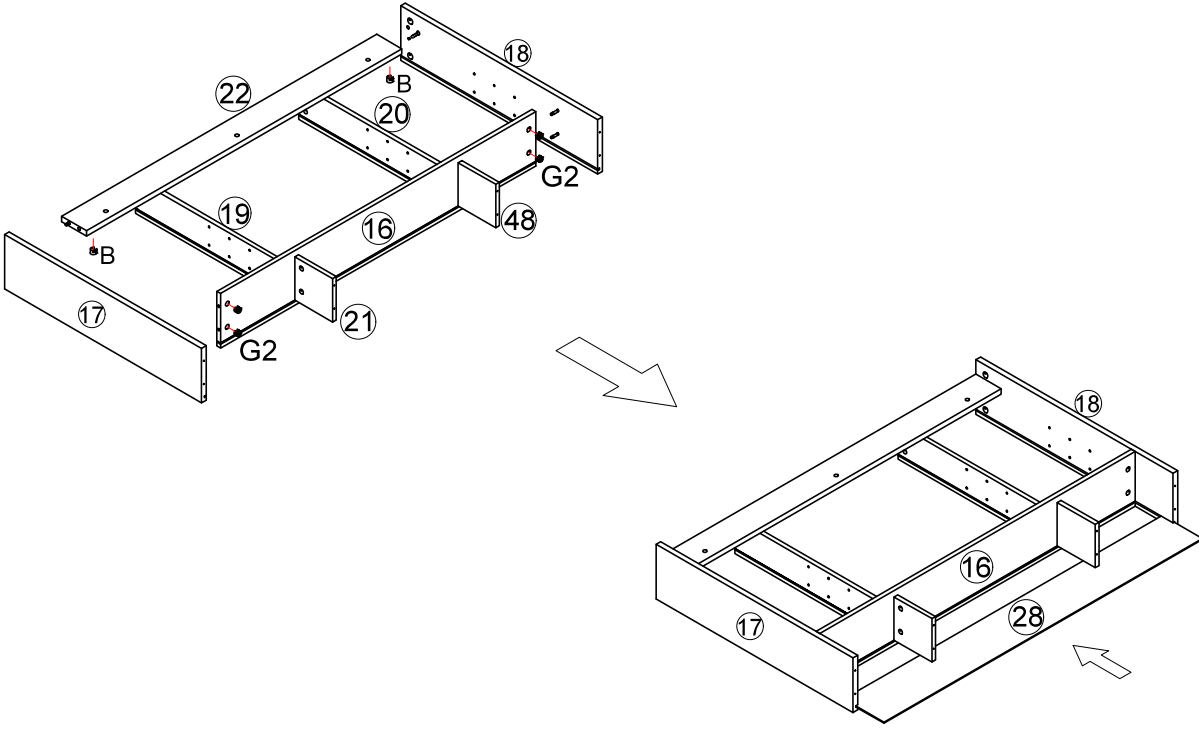
6





	E*4
	G2*4

put G2 on board 21 48

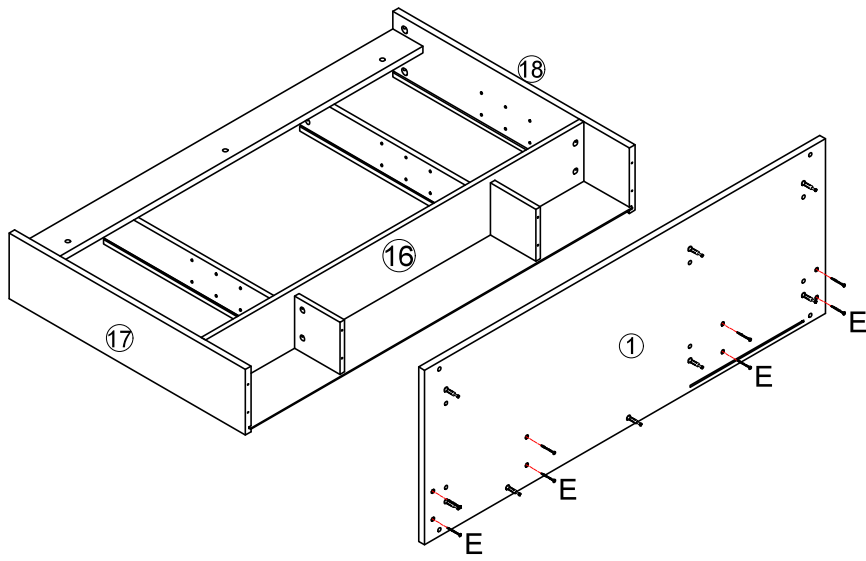
7



	B*2
	G2*4

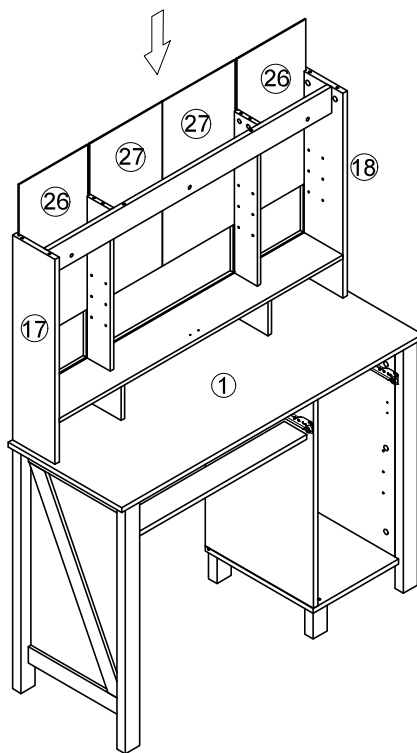
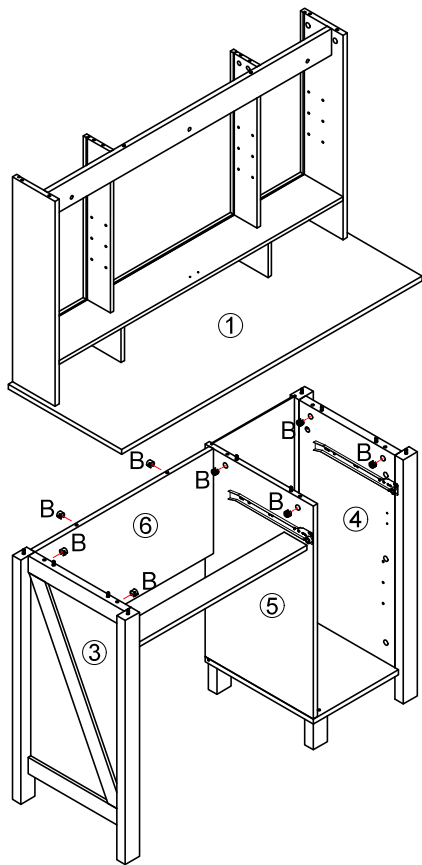
put B on board 22
put G2 on board 16

8



E*8

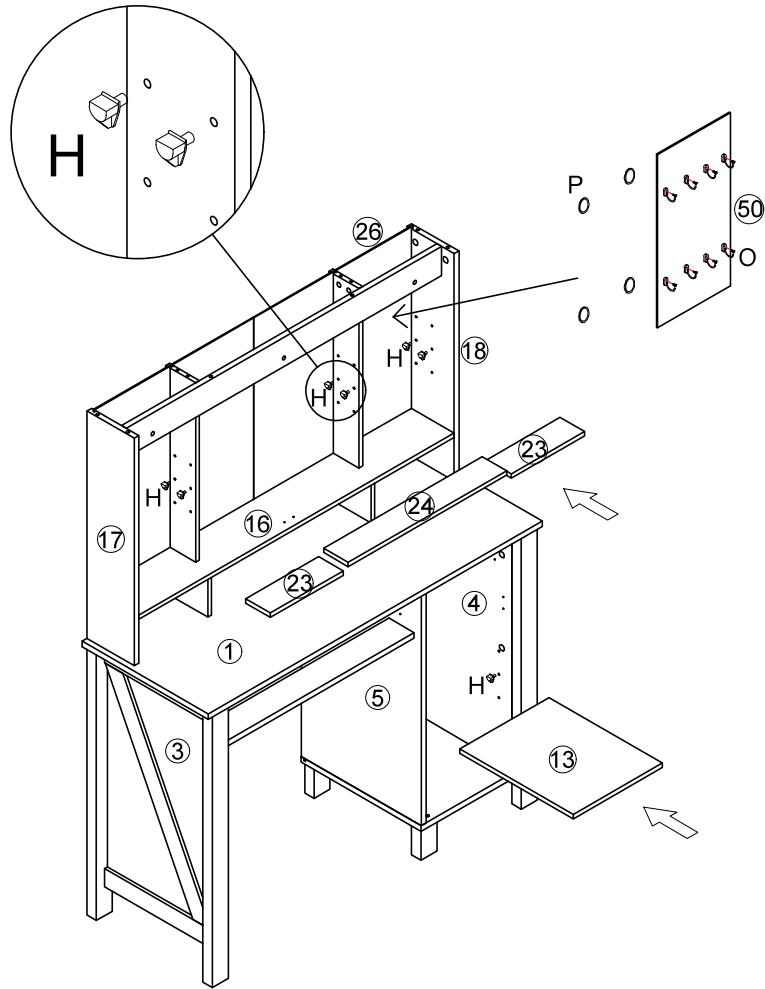
9






B*8

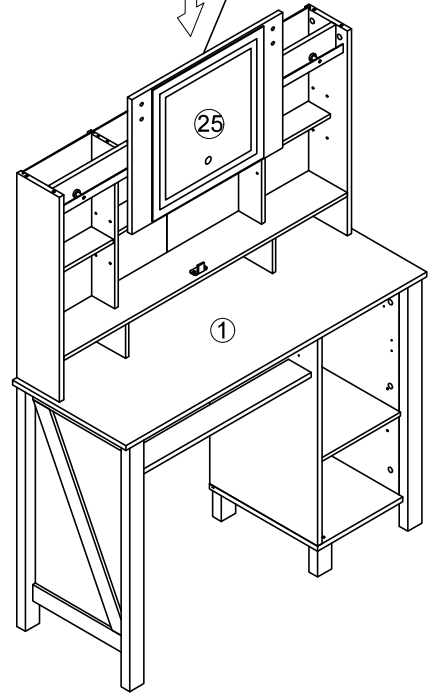
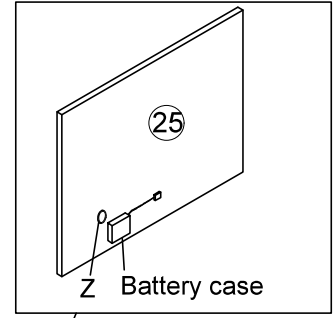
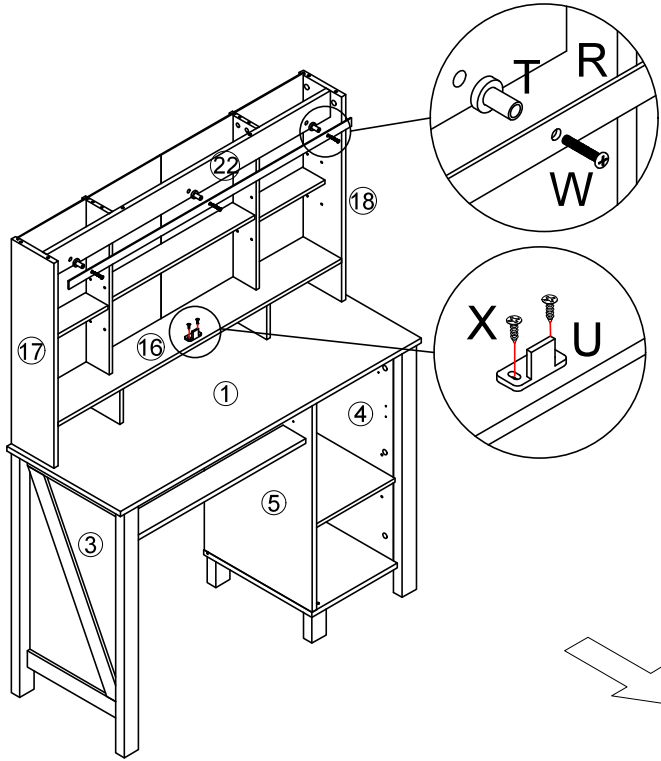
put B on board ③④⑤⑥







10



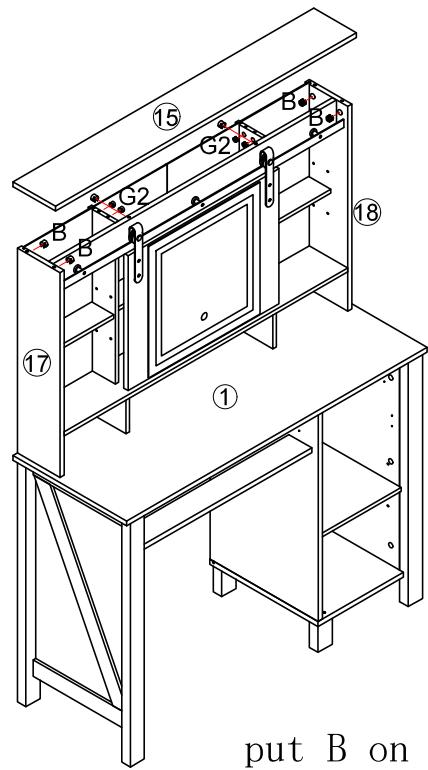
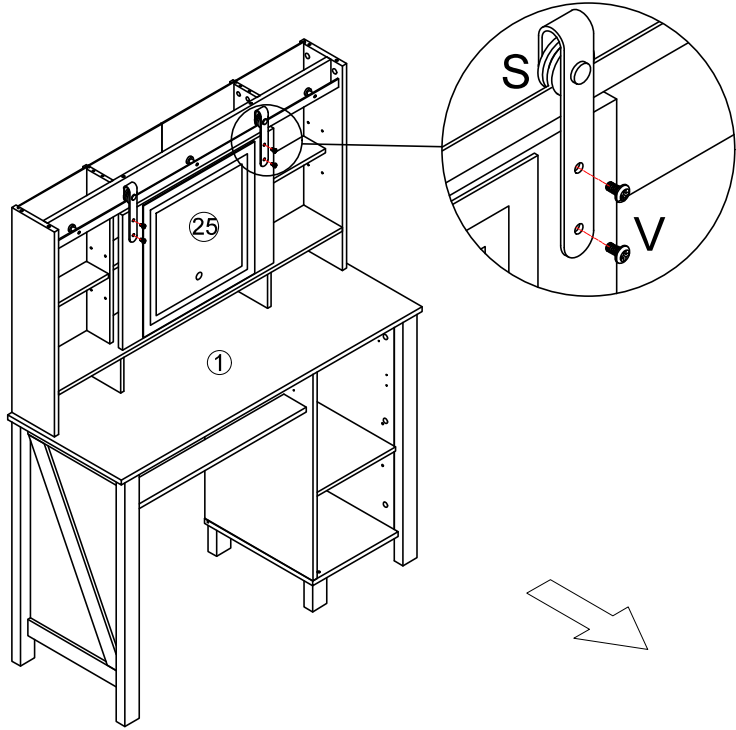
	H*16
	O*8
	P*4

11







	R*1		W*3
	T*3		X*2
	U*1		Z*1

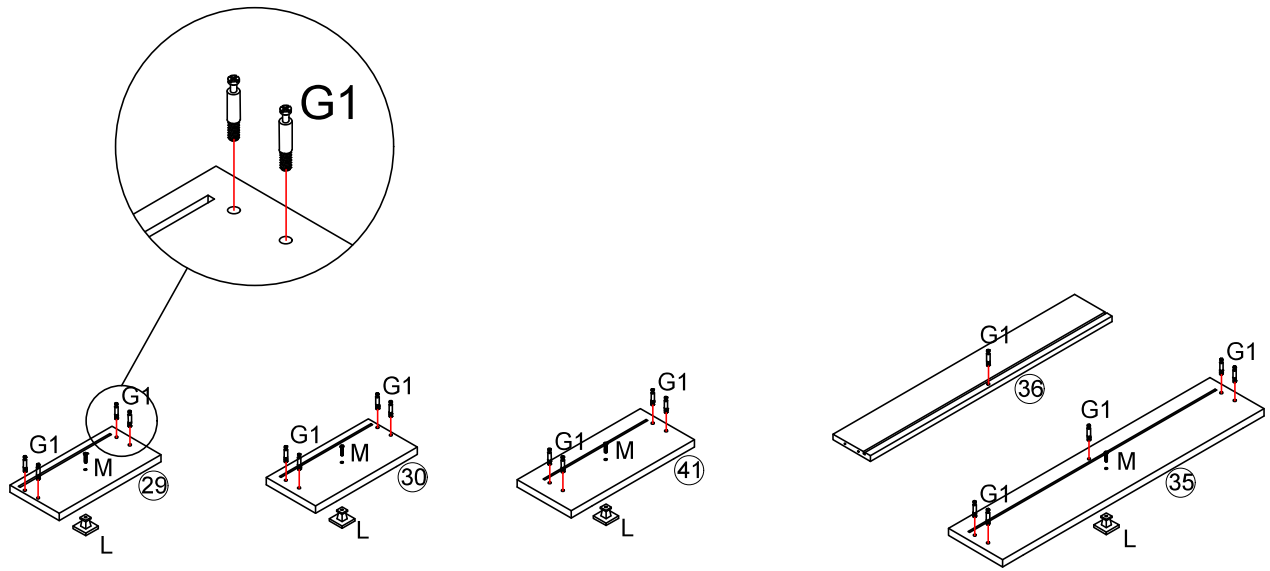
12






put B on board 17 18
put G2 on board 19 20

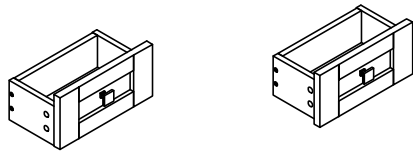
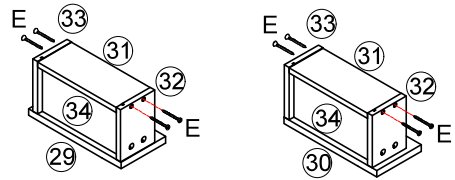
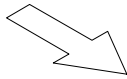
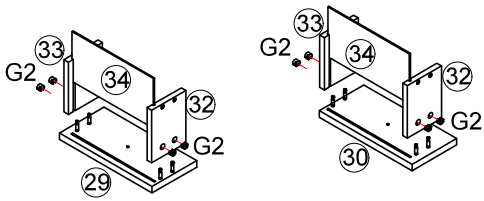
	B*6
	G2*4
	S*2
	V*4

13



	G1*18
	L*4
	M*4

14

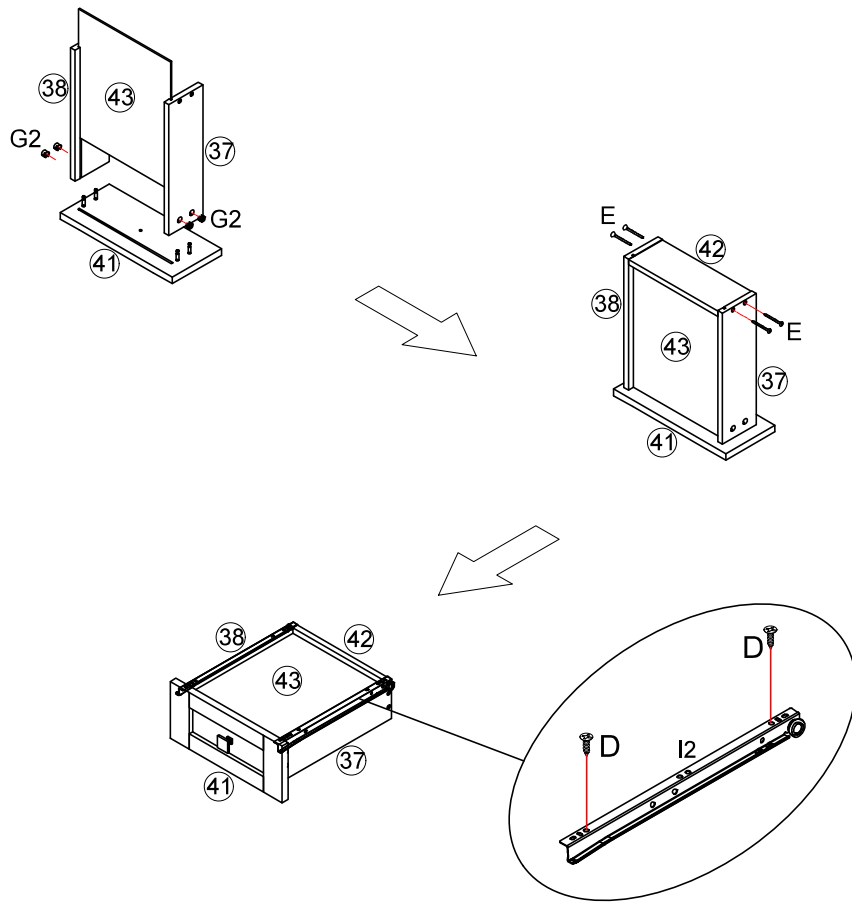


G2*8



E*8

15



G2*4



D*4

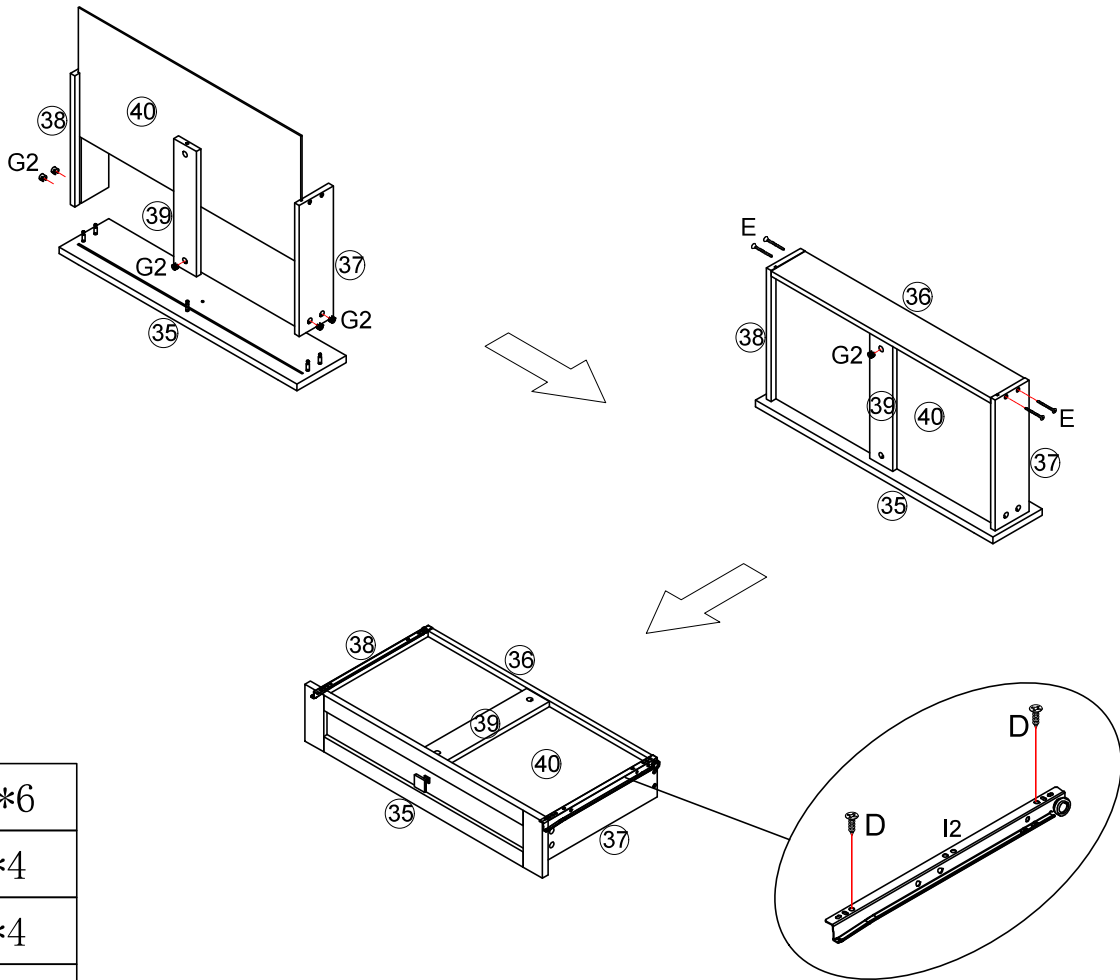




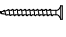

E*4



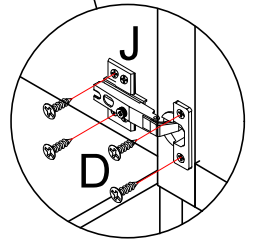
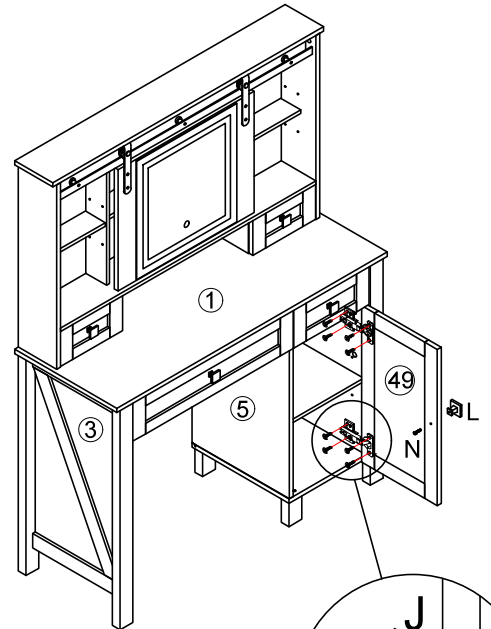
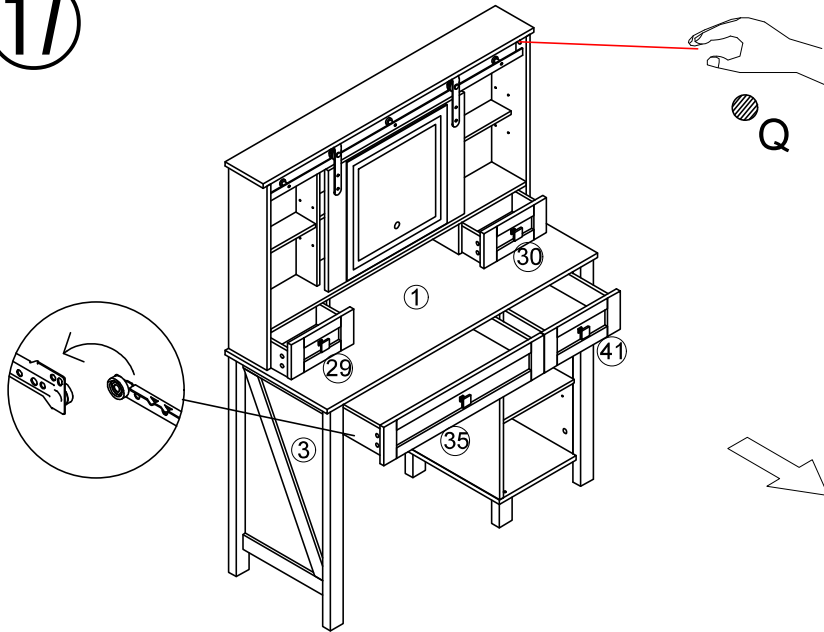
I2*1






16



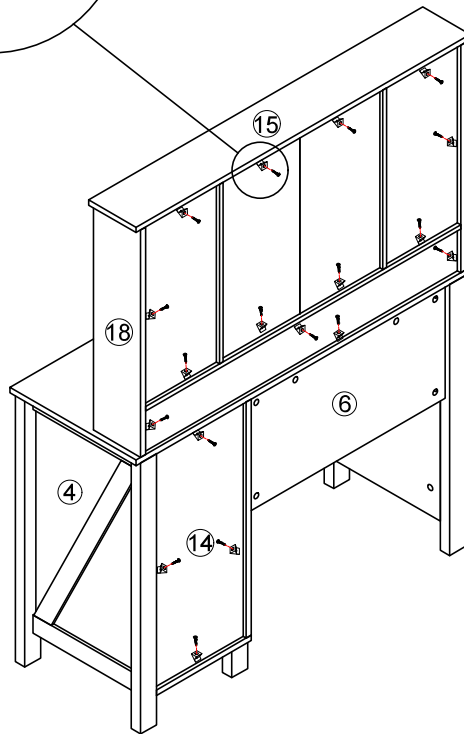
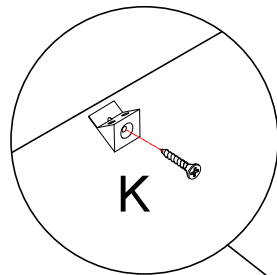
	G2*6
	D*4
	E*4
	I2*1

17



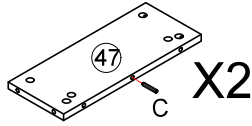
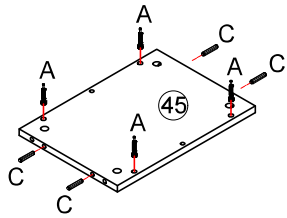
	D*12
	J*2
	L*1
	N*1
	Q*5

18

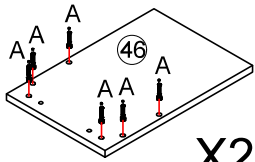


K*18

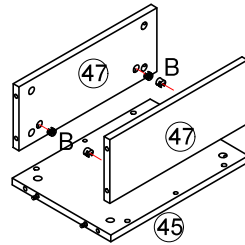
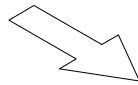
19



X2



X2



A*16

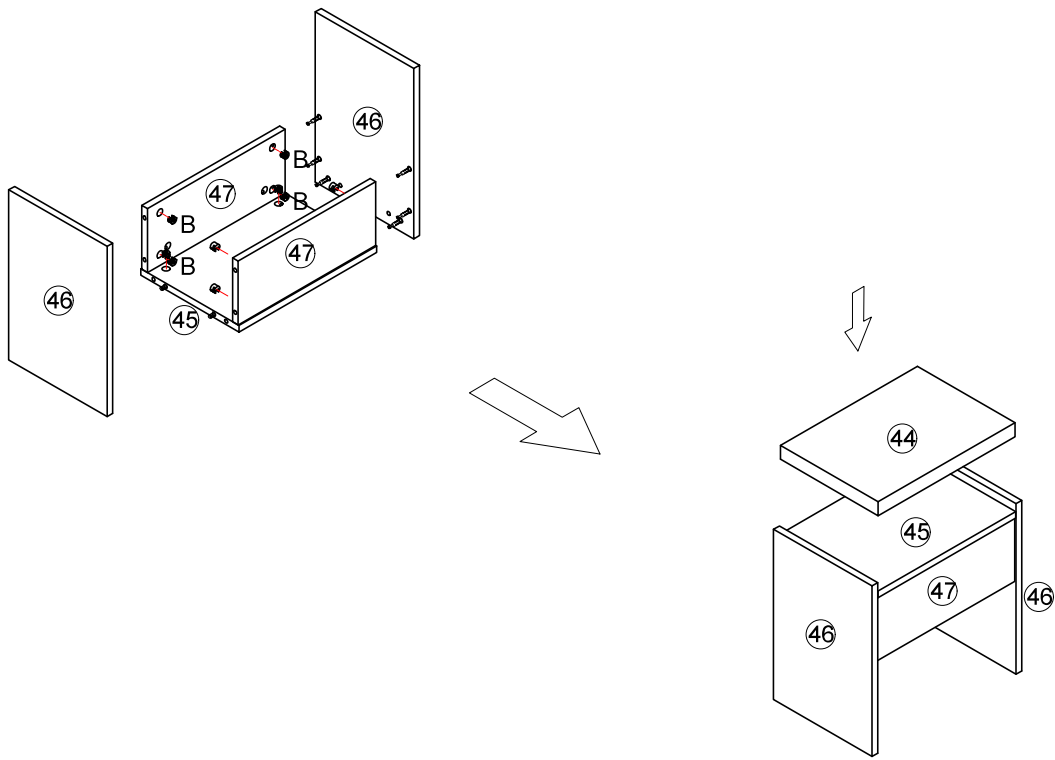


B*4



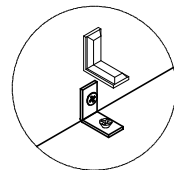
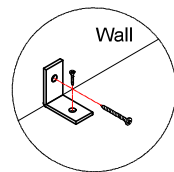
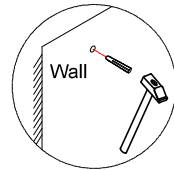
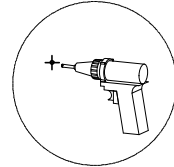
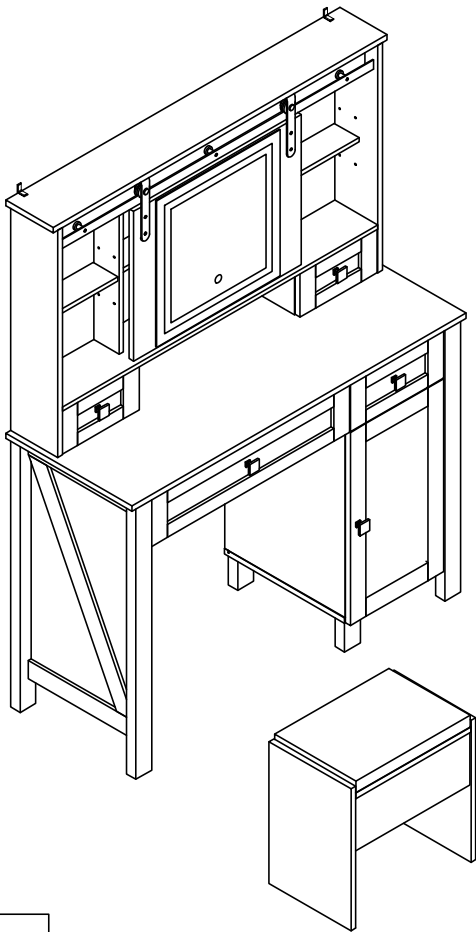
C*6

20



B*12

21



Y*2

Please install tip-proof fitting.