

Assembly Instruction

INTRODUCTION

Thank you for purchasing our products. Please read the instructions carefully before installation and keep it in a safe place for future reference. If you need any assistance or support, please feel free to contact our customer support team.

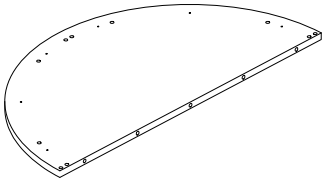
PRECAUTIONS

1. There are many components and accessories in the package. Each component and accessory is labeled with a letter or a number, check carefully before using any of them. Keep them away from children to prevent accidents.
2. Please install the product on a clean and soft underlay (such as carpet or cardboard) to avoid scratching or damaging the surface of the product.
3. The main components of the product is relatively heavy. Please pay attention to safety during installation.
4. The product is not stable during installation. Please do not move it randomly before it is completely installed.
5. If you have any questions during installation, please contact the customer service in time.

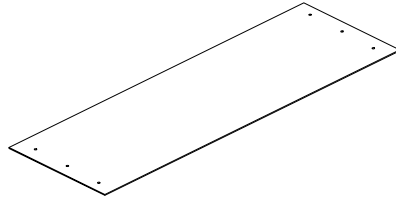
* PLEASE BE SURE TO FOLLOW THE INSTALLATION STEPS IN THE MANUAL TO AVOID UNNECESSARY LOSSES CAUSED BY IMPROPER INSTALLATION.

* IF YOU NEED FURTHER ASSISTANCE, PLEASE CONTACT THE CUSTOMER SERVICE ONLINE.

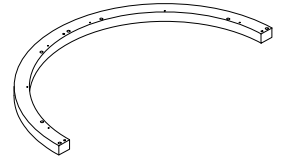
Parts List



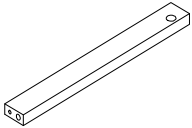
① 1PC



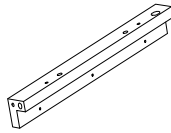
② 1PC



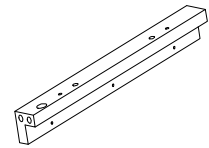
③ 1PC



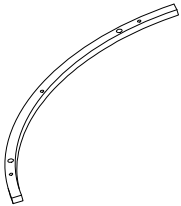
④ 1PC



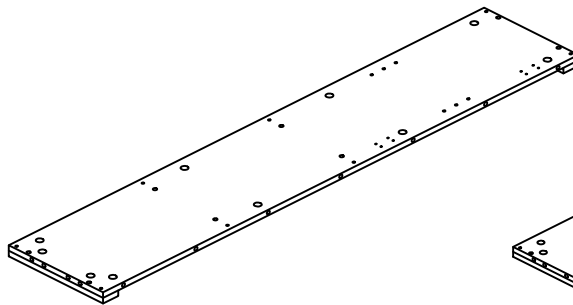
⑤ 1PC



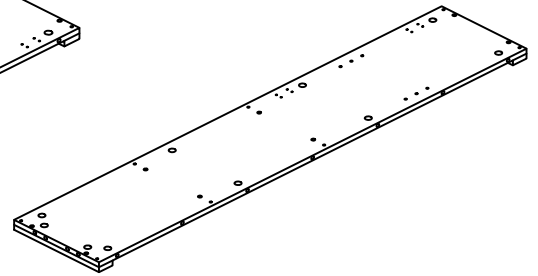
⑥ 1PC



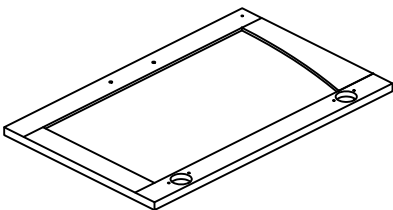
⑦ 4PCS



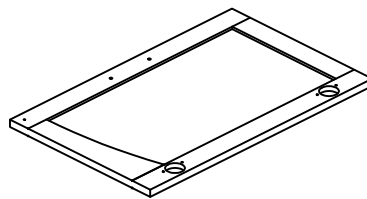
⑧ 1PC



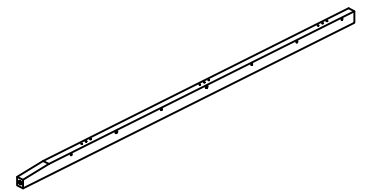
⑨ 1PC



⑩ 1PC

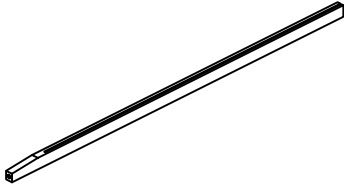


⑪ 1PC

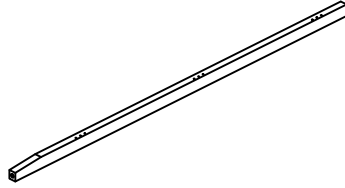


⑫ 1PC

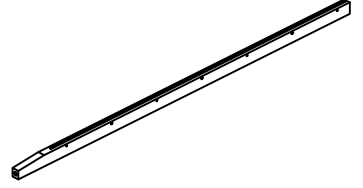
Parts List



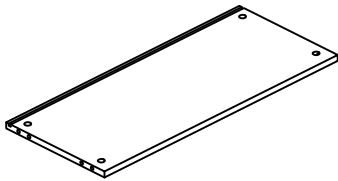
⑬ 1PC



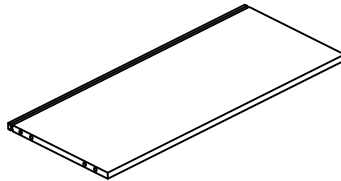
⑭ 1PC



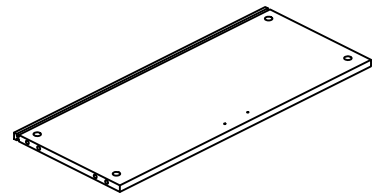
⑮ 1PC



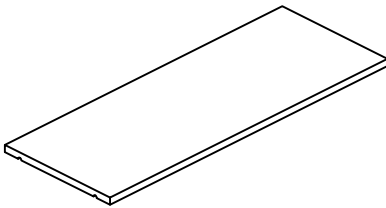
⑯ 1PC



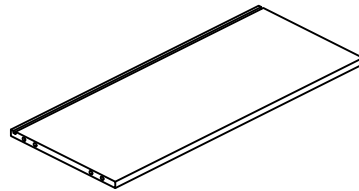
⑰ 1PC



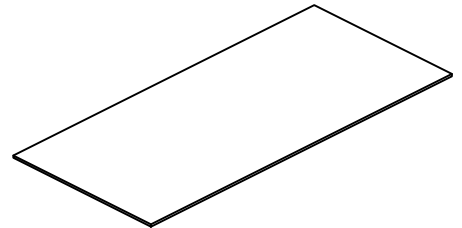
⑱ 1PC



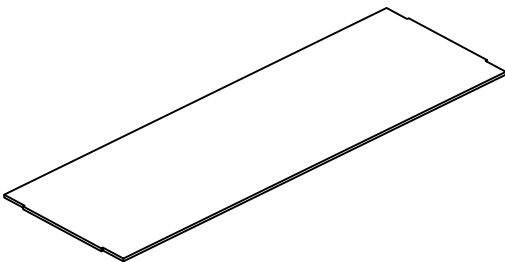
⑲ 1PC



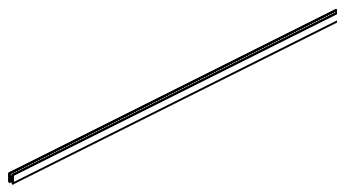
⑳ 1PC



㉑ 2PCS



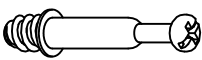




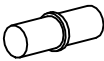


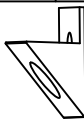
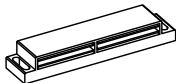

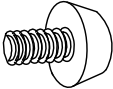


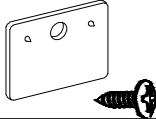
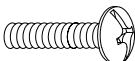

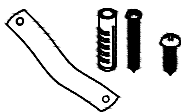


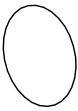

㉒ 2PCS

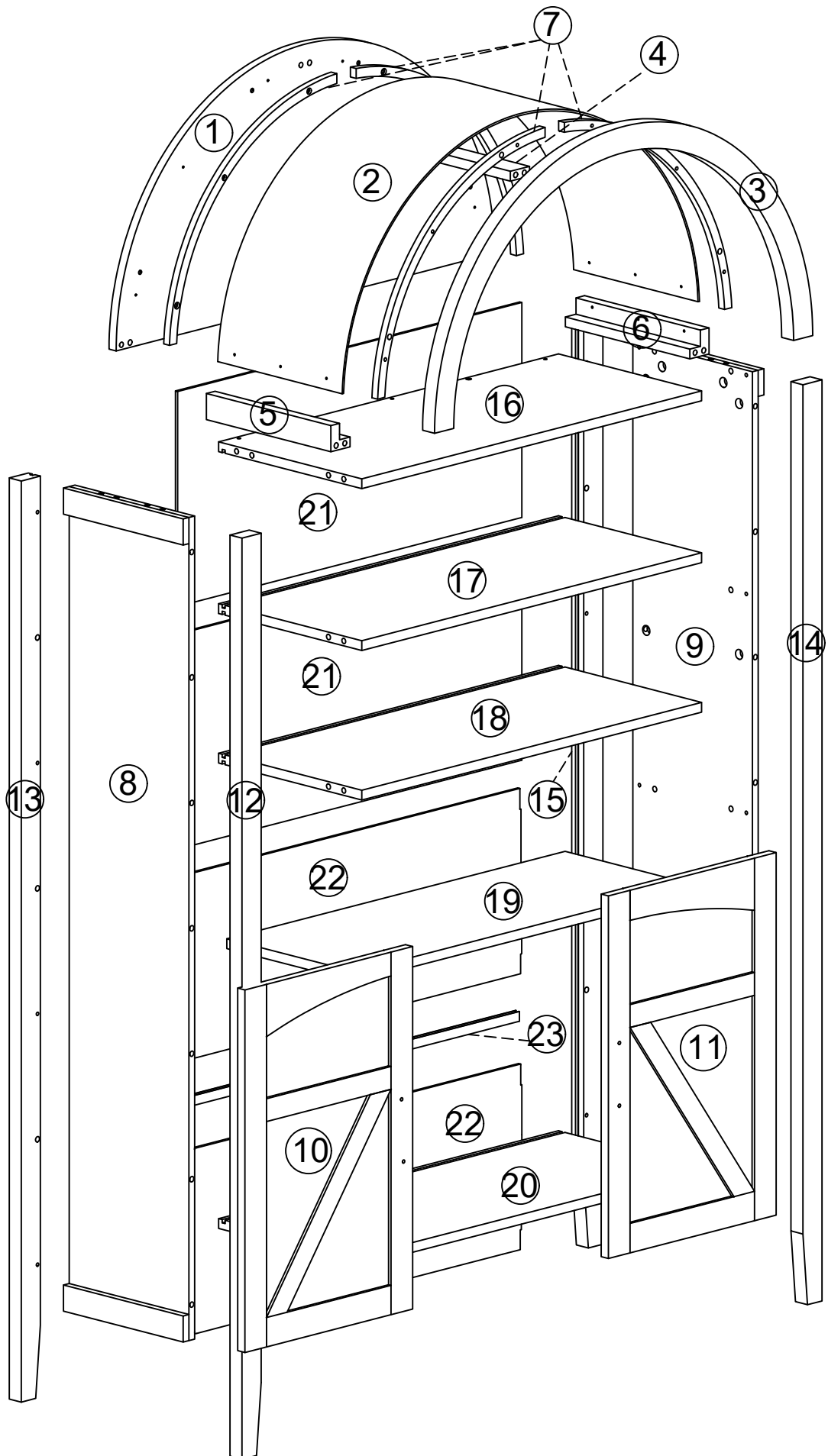


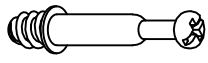
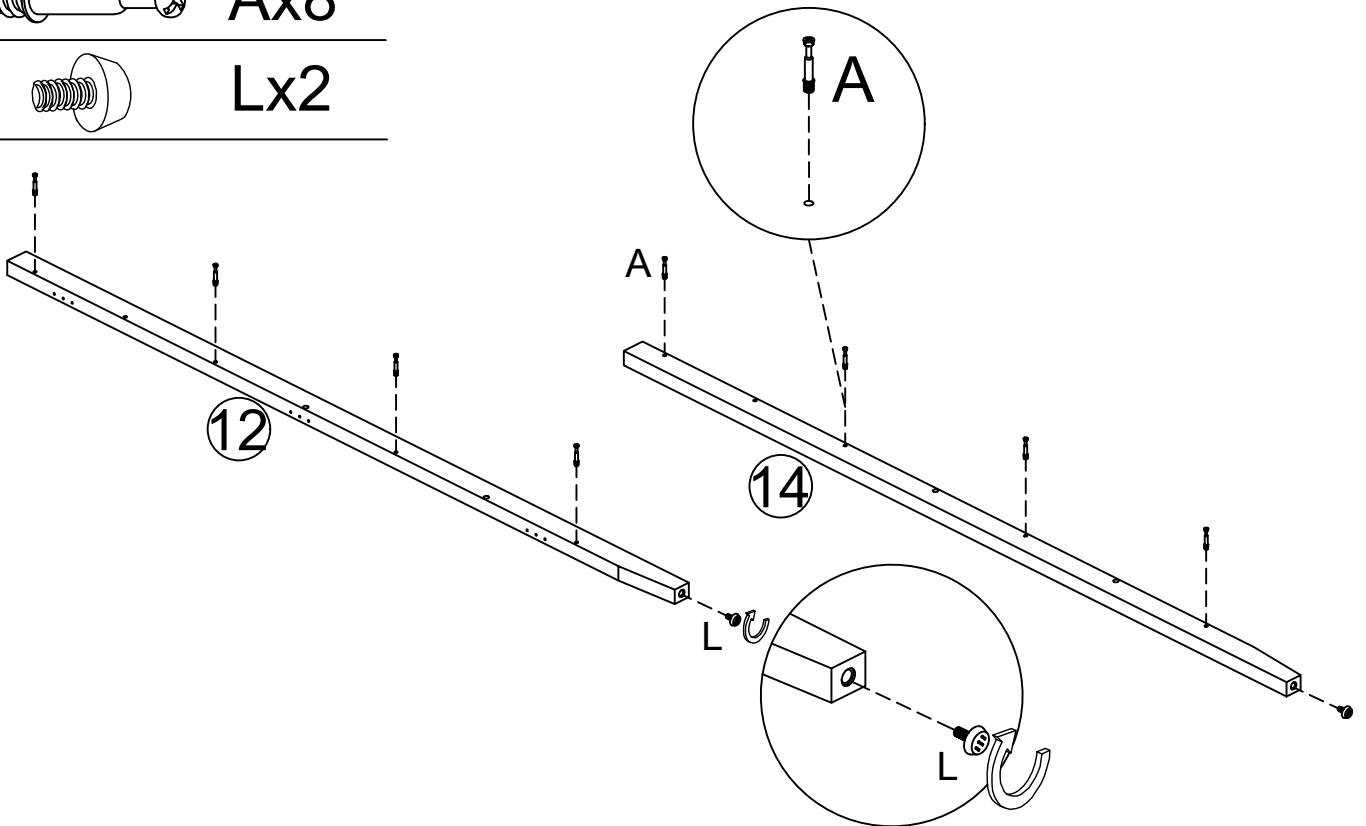
㉓ 1PC

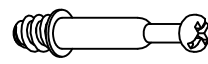
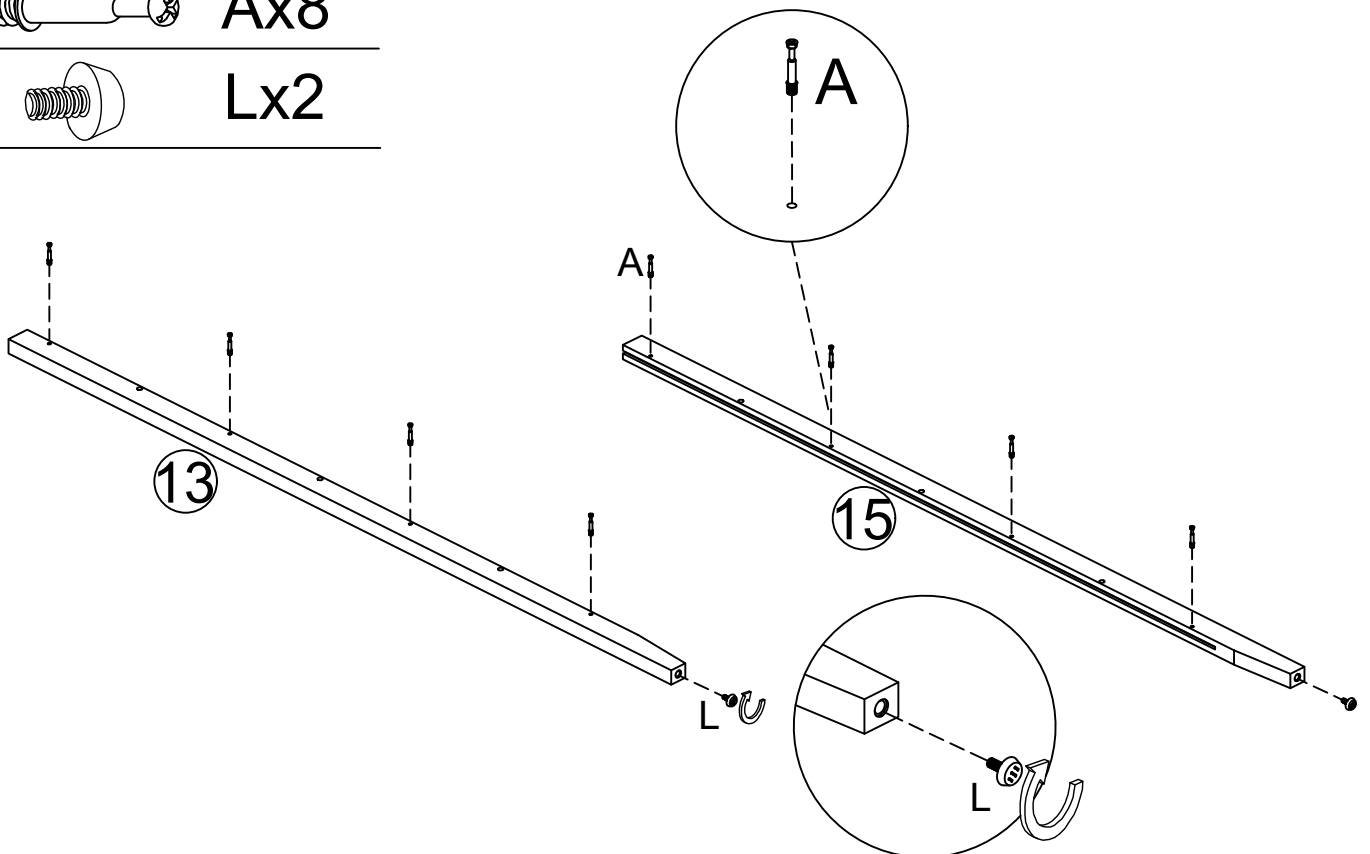
Hardware Provided

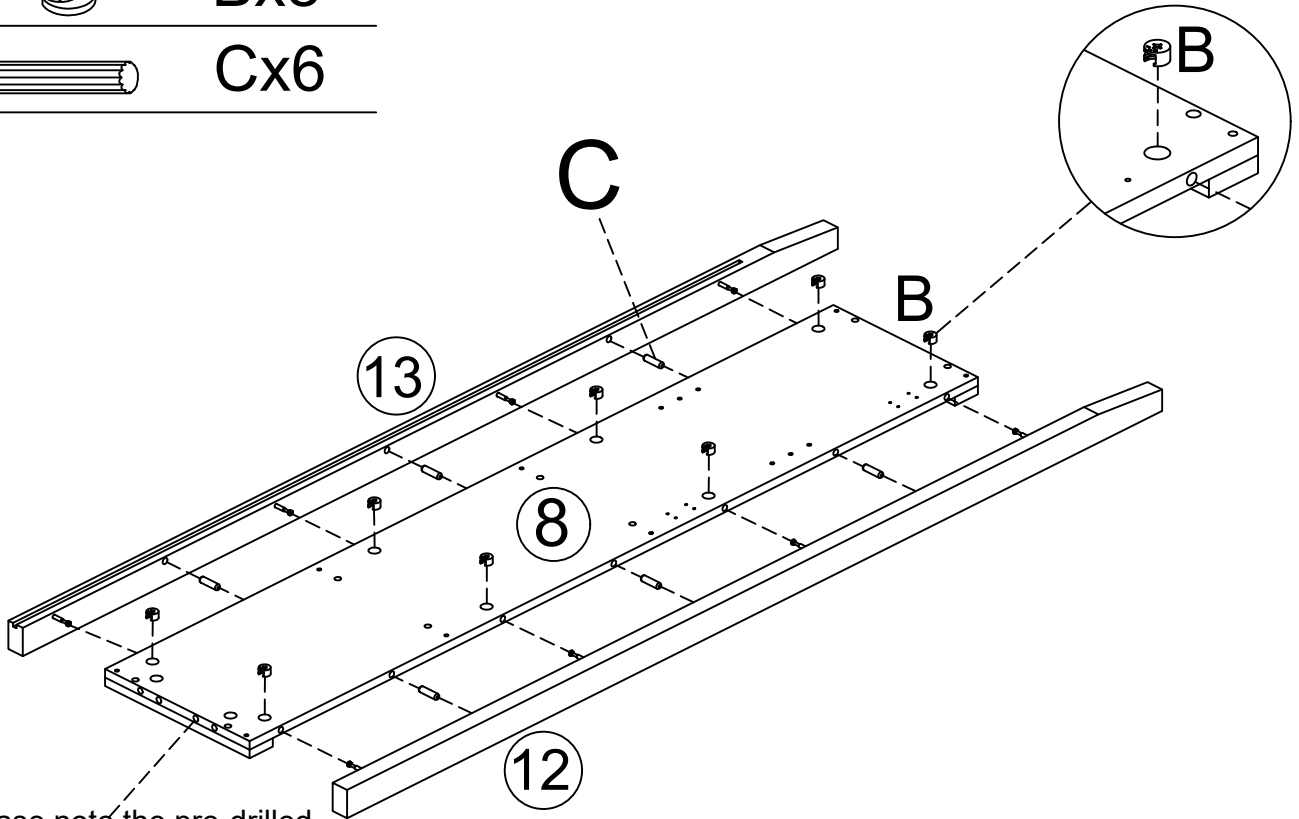
Hardware List

A	x42	B	x42	C	x40	D	x3	E	x12
									
$\varnothing 6*36\text{mm}$		$\varnothing 15*9.5\text{mm}$		$\varnothing 8*30\text{mm}$		$\varnothing 6*50\text{mm}$		$\varnothing 3.5*19\text{mm}$	
F	x4	G	x4	H	x24	I	x14	J	x1
									
				$\varnothing 3.5*12\text{mm}$					
K	x8	L	x4	M	x6	N	x2	O	x2
									
$\varnothing 6*20\text{mm}$				$\varnothing 15$					
P	x4	Q	x14	R	x2	S	x2	T	x6
									
M4*20mm		$\varnothing 3*16\text{mm}$				$\varnothing 3*15\text{mm}$		$\varnothing 3*15\text{mm}$	
U	x32	V	x1						
									
$\varnothing 30$									

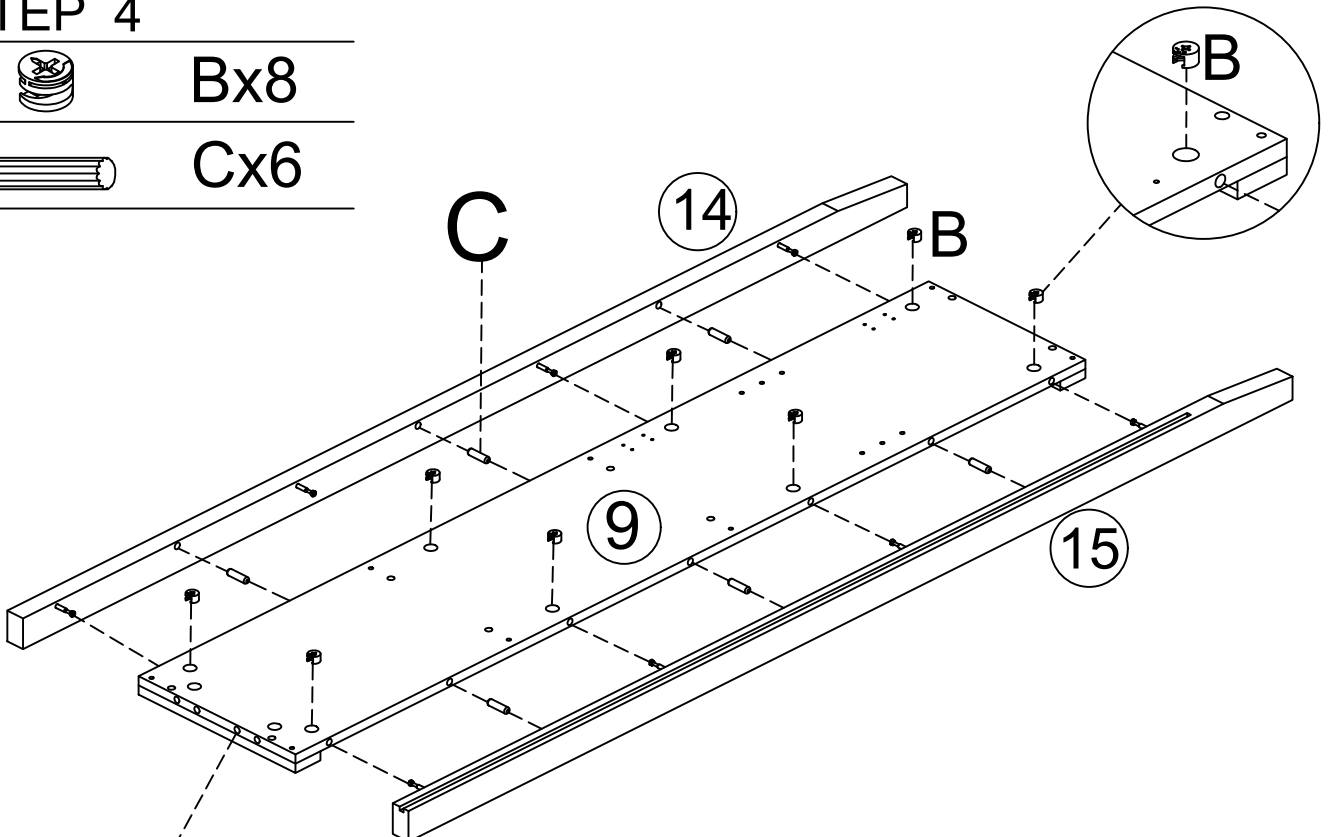


STEP 1 Ax8 Lx2

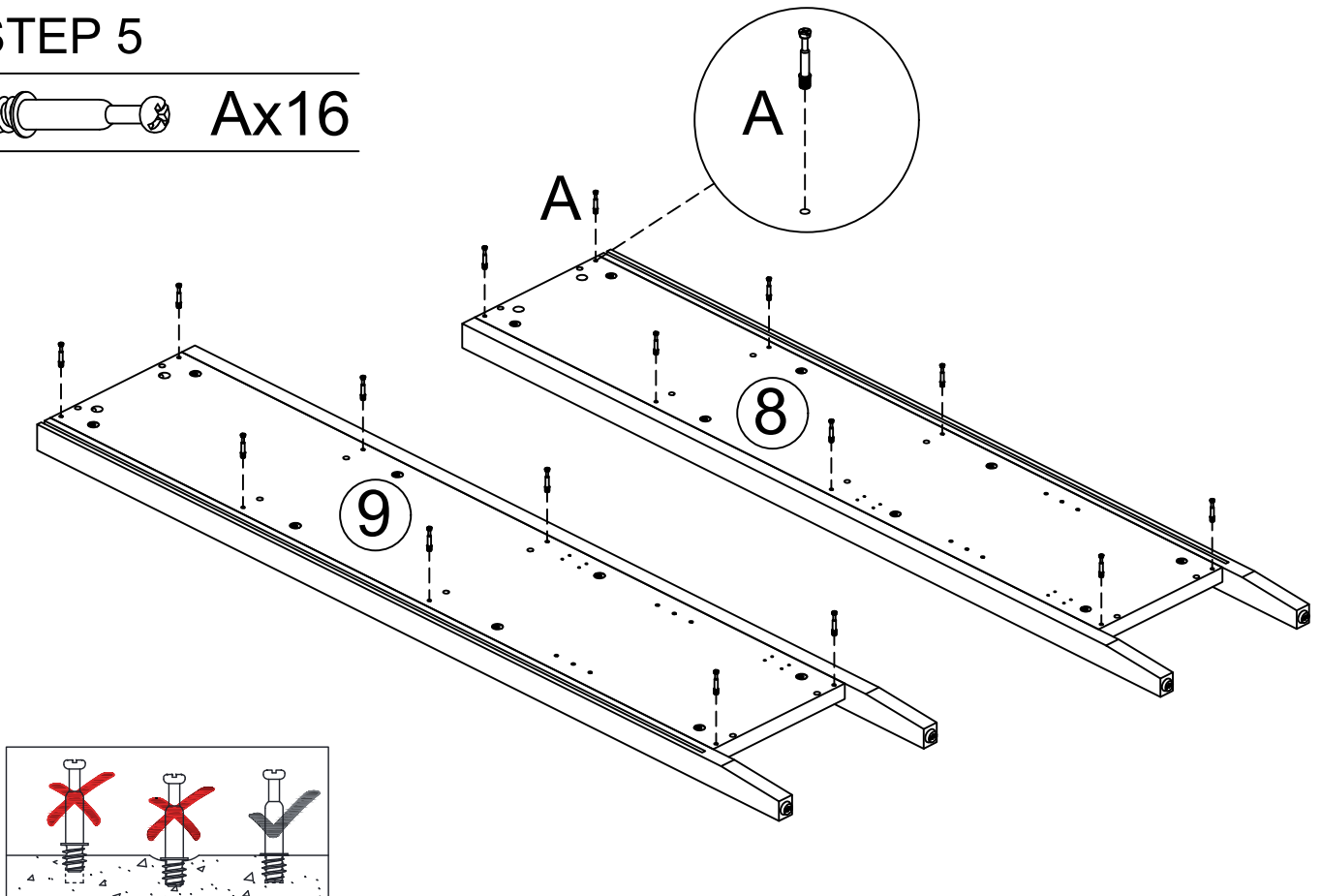
STEP 2 Ax8 Lx2

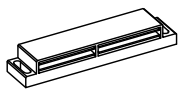
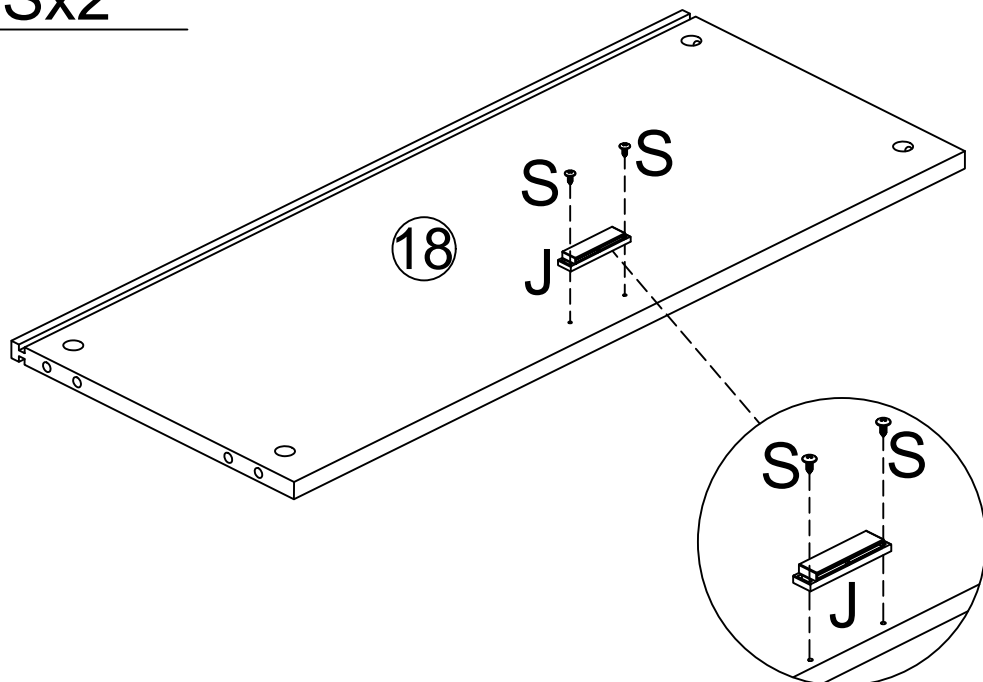
STEP 3**Bx8****Cx6**

Please note the pre-drilled holes are on this side

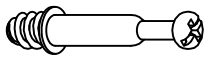
STEP 4**Bx8****Cx6**

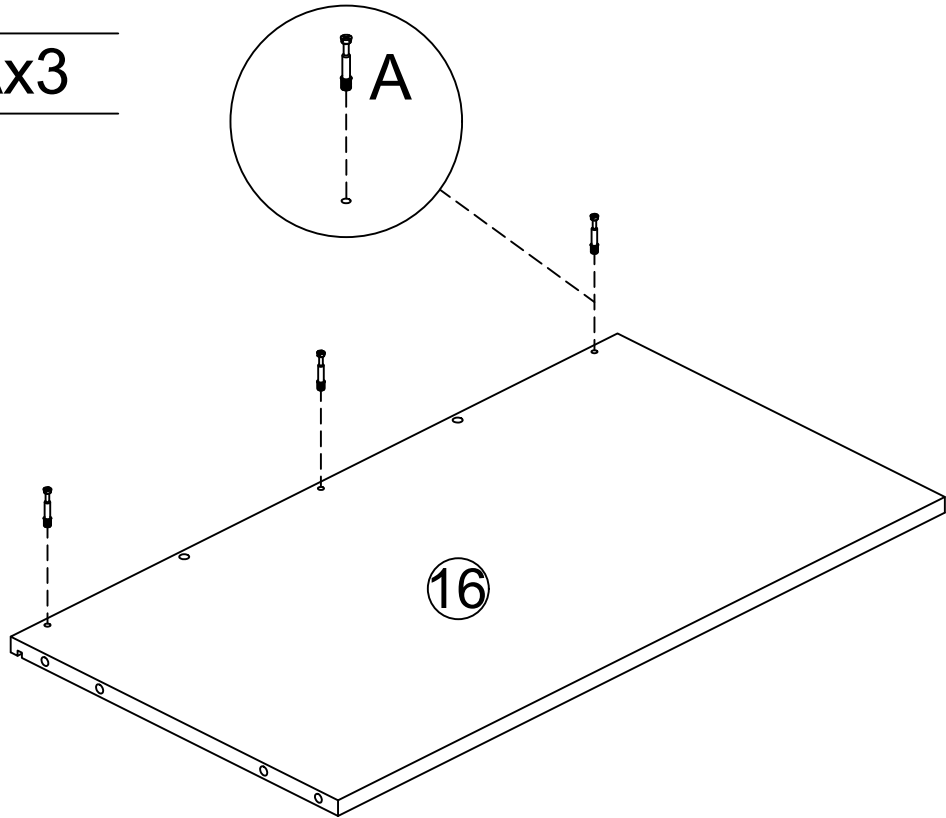
Please note the pre-drilled holes are on this side

STEP 5 **Ax16**

STEP 6 **Jx1** **Sx2**


STEP 7

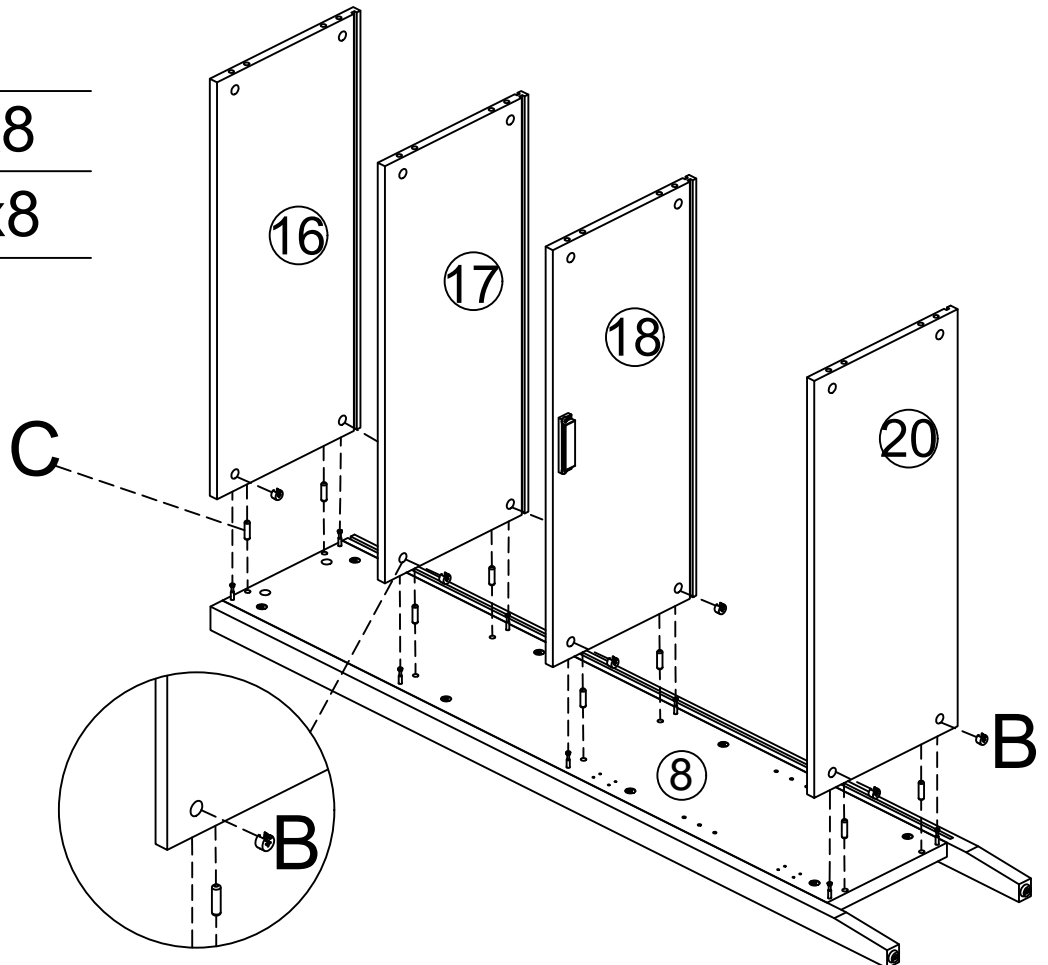
 Ax3



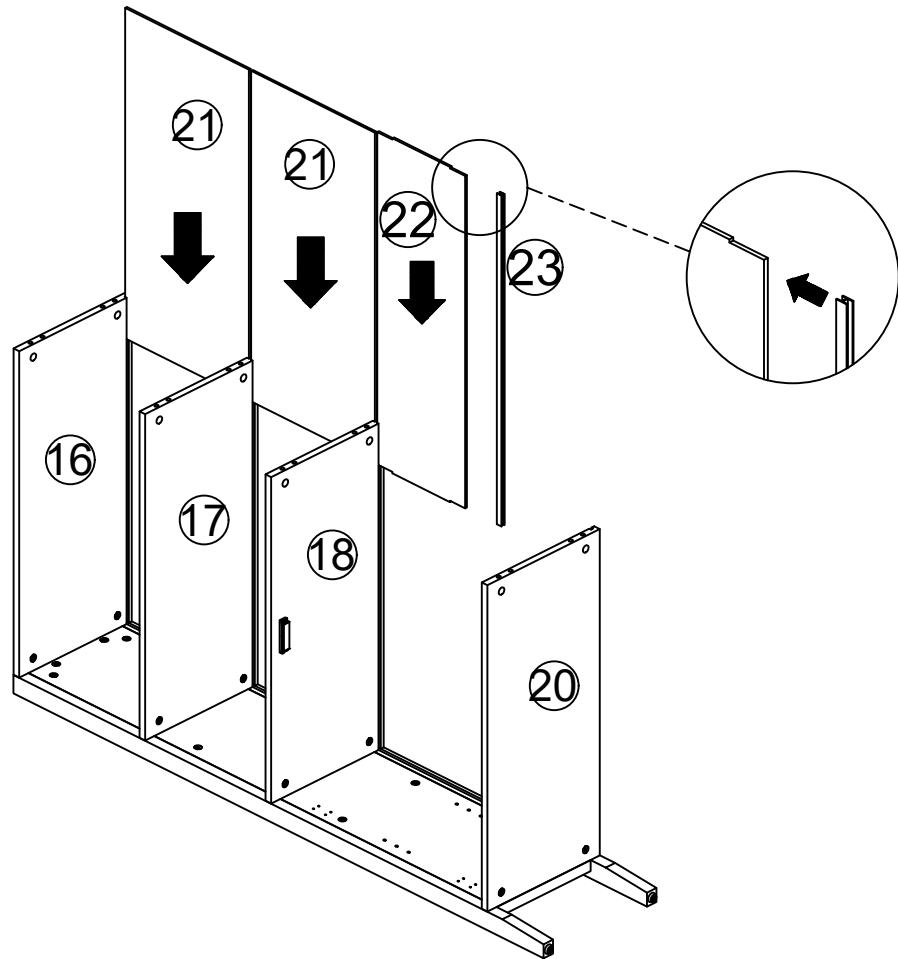
STEP 8

 Bx8

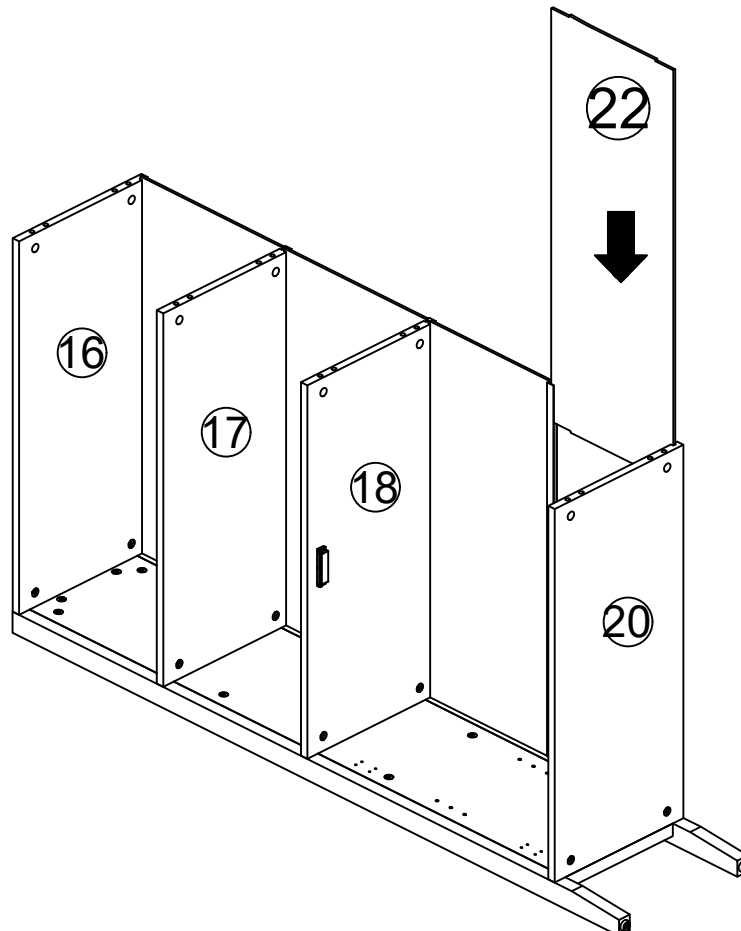
 Cx8



STEP 9



STEP 10



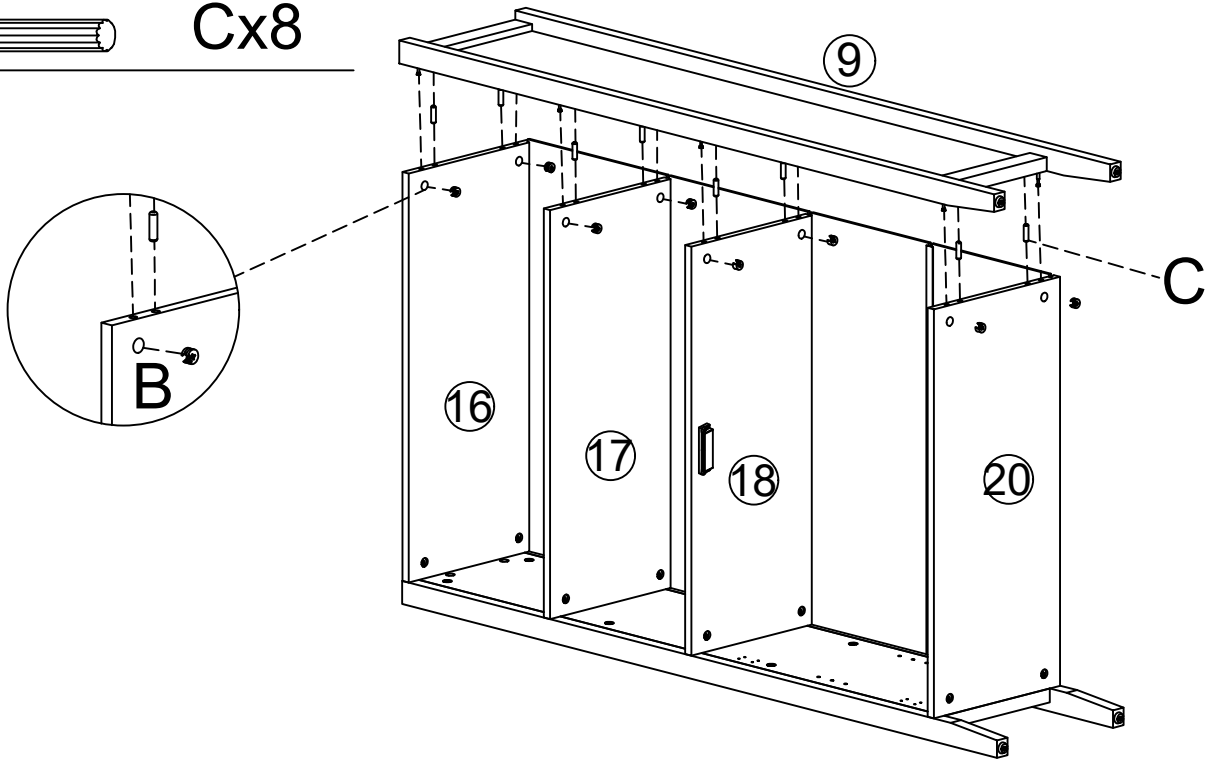
STEP 11



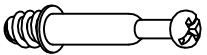
Bx8



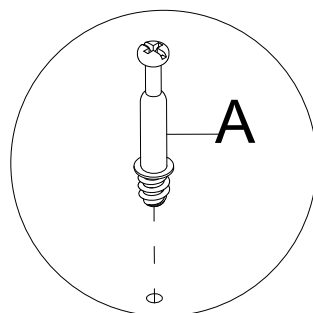
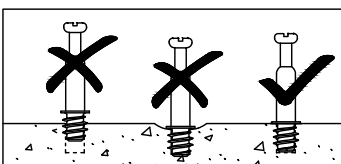
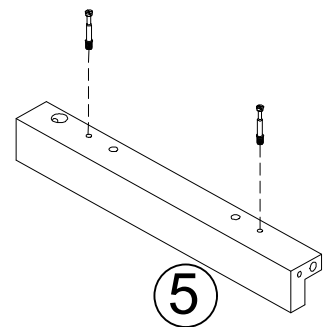
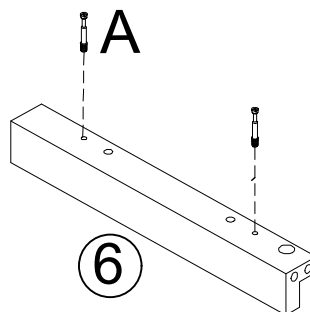
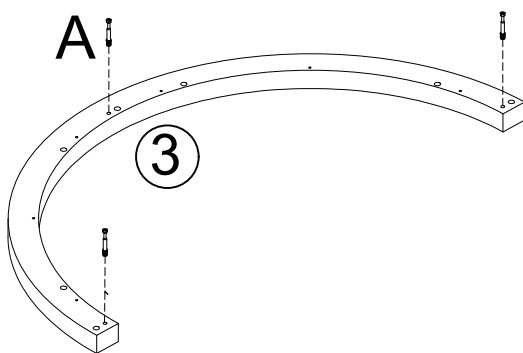
Cx8

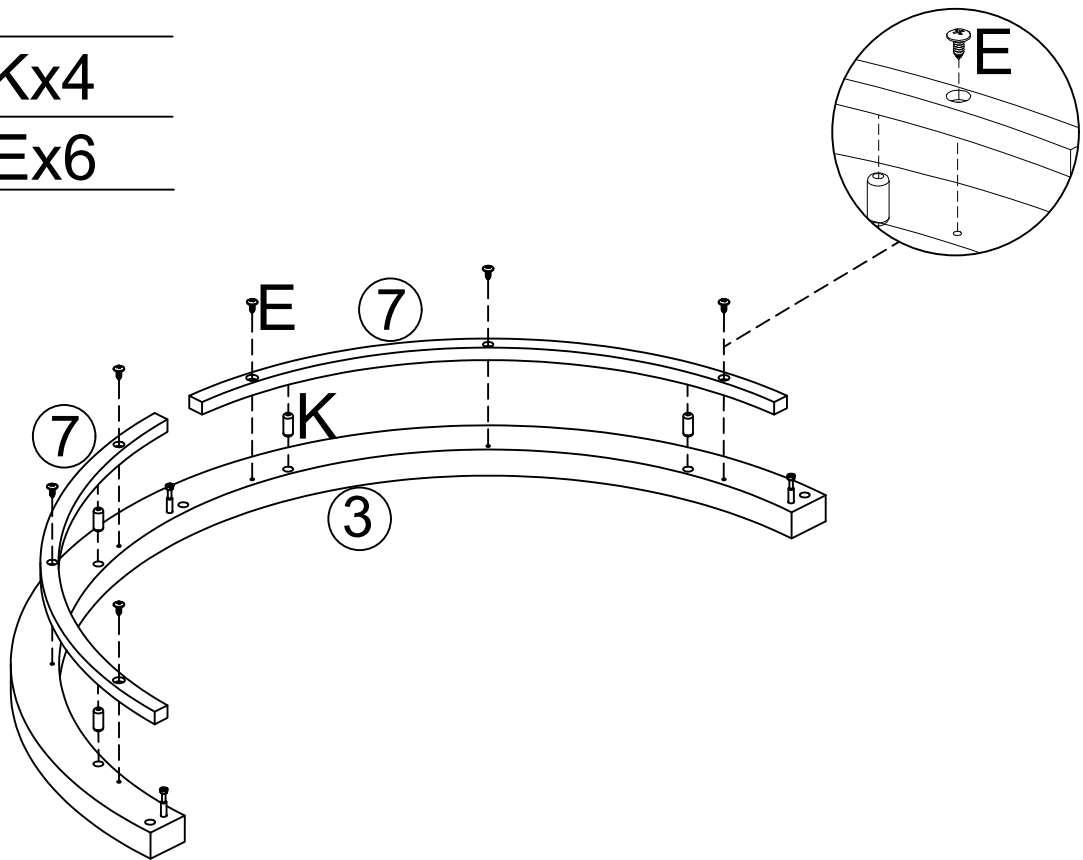


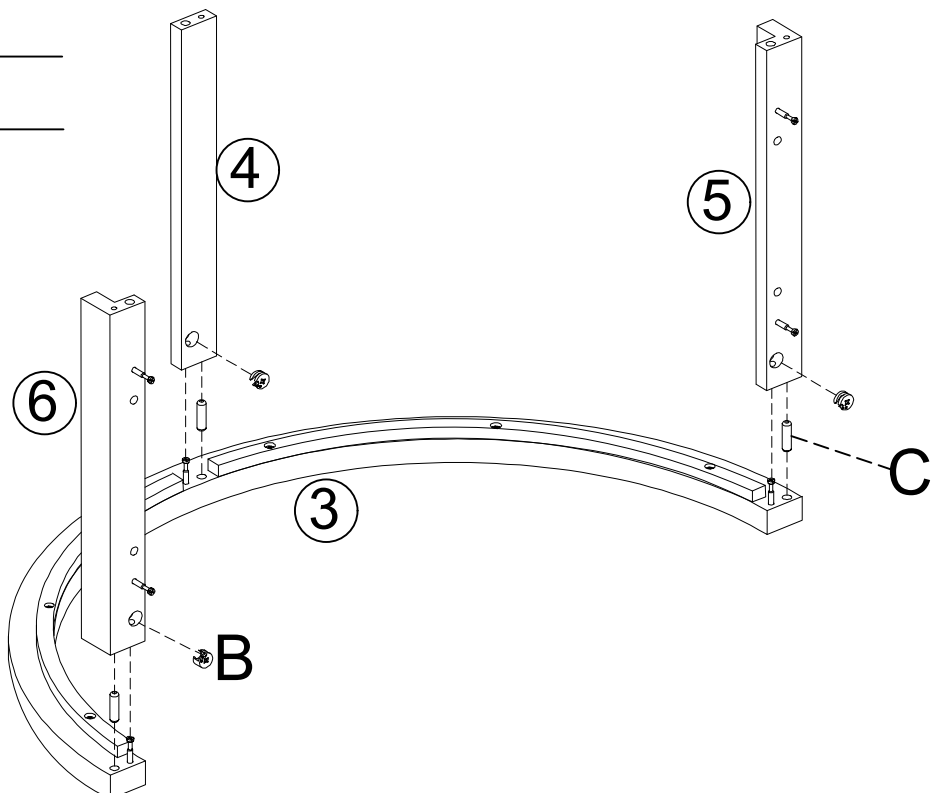
STEP 12

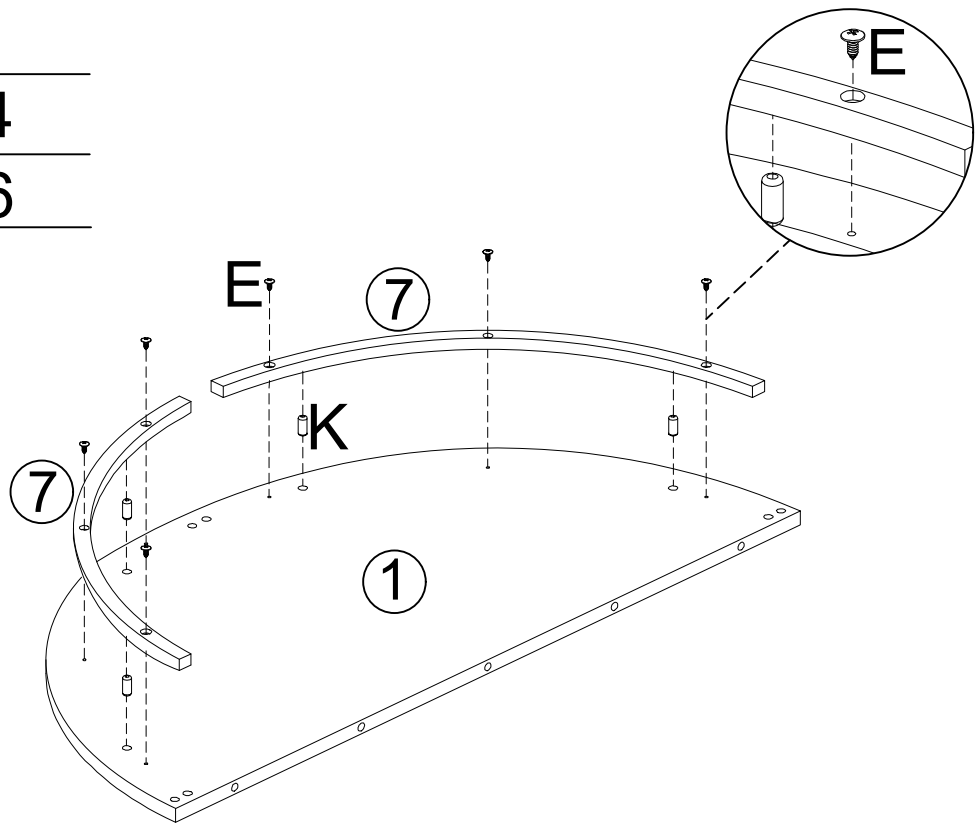


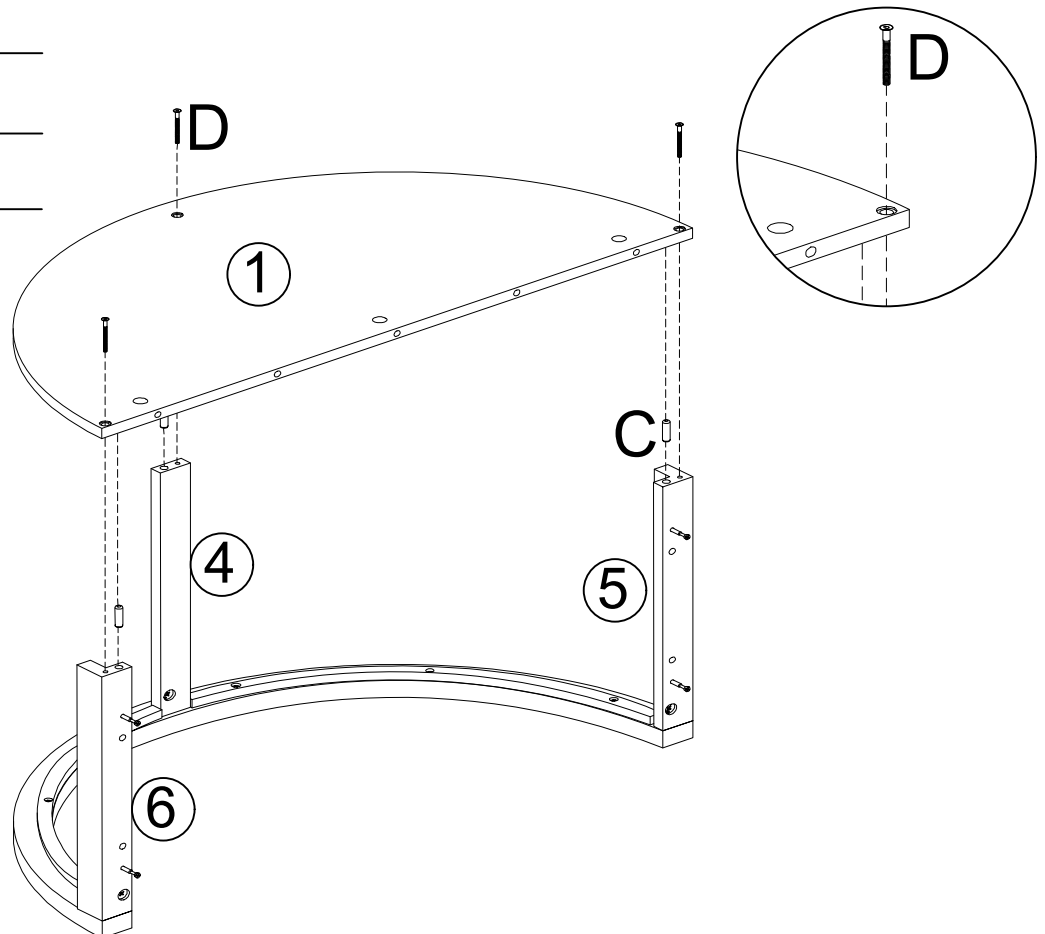
Ax7



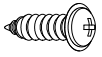
STEP 13**Kx4****Ex6**

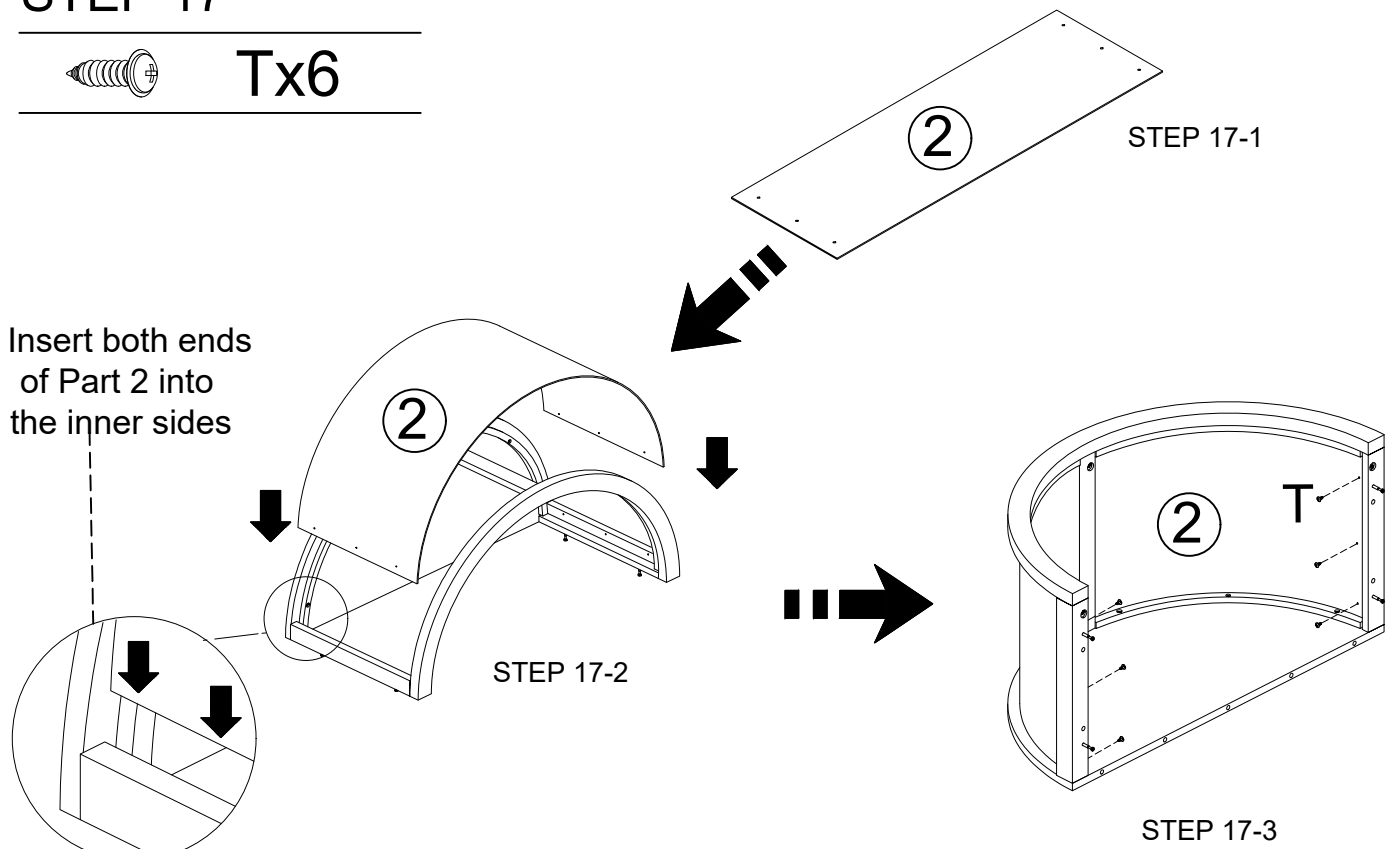
STEP 14**Bx3****Cx3**

STEP 15**Kx4****Ex6**

STEP 16**Dx3****Cx3**

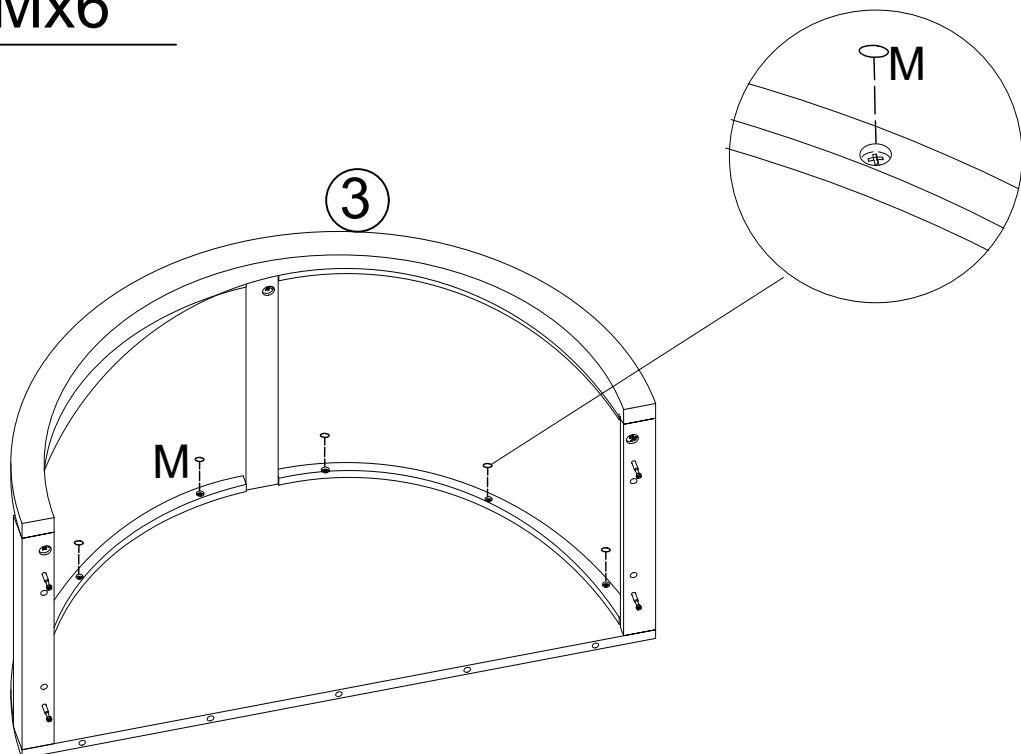
STEP 17

**Tx6**



STEP 18

**Mx6**



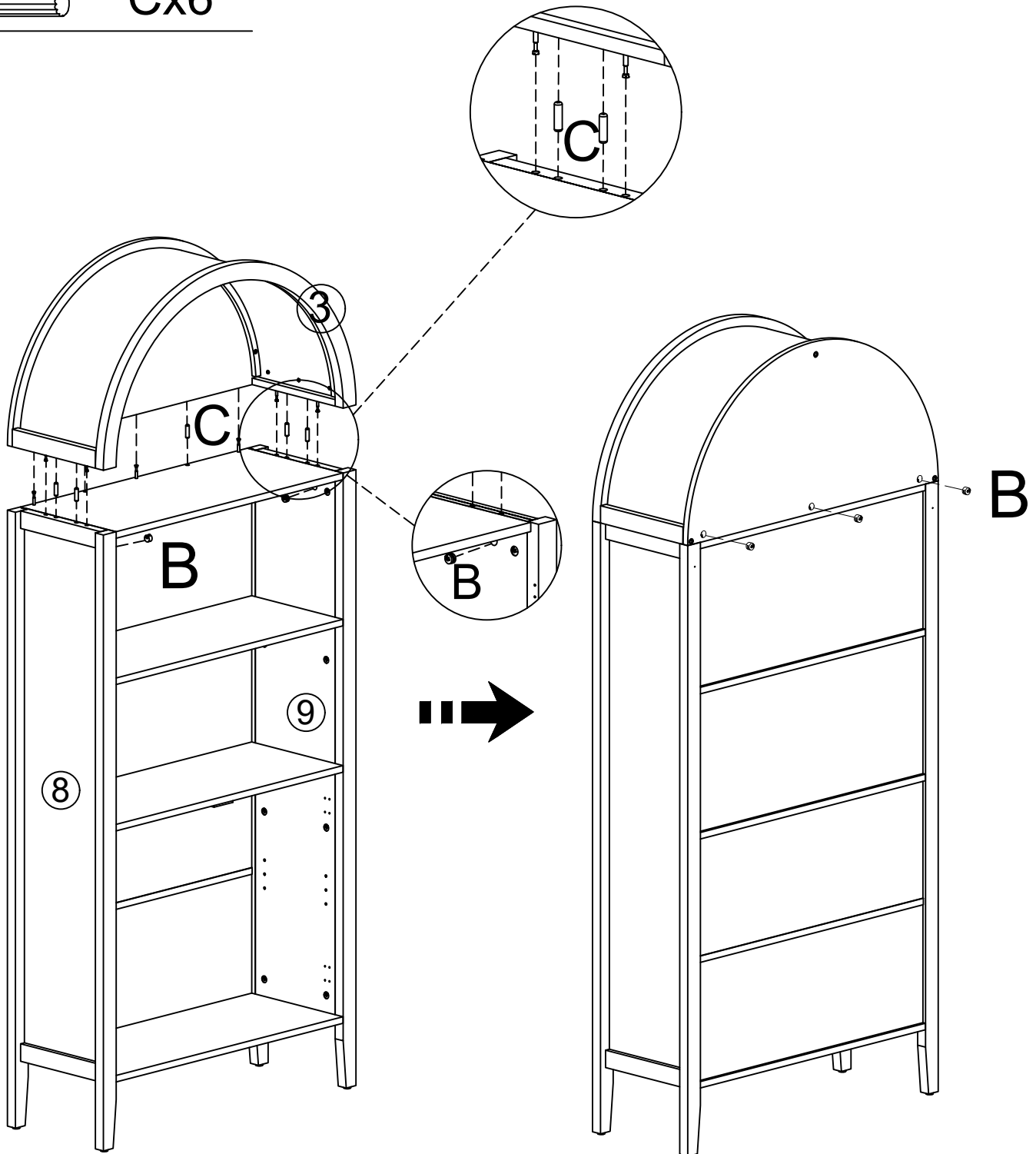
STEP 19



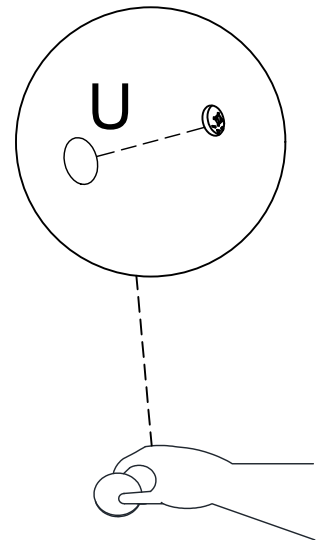
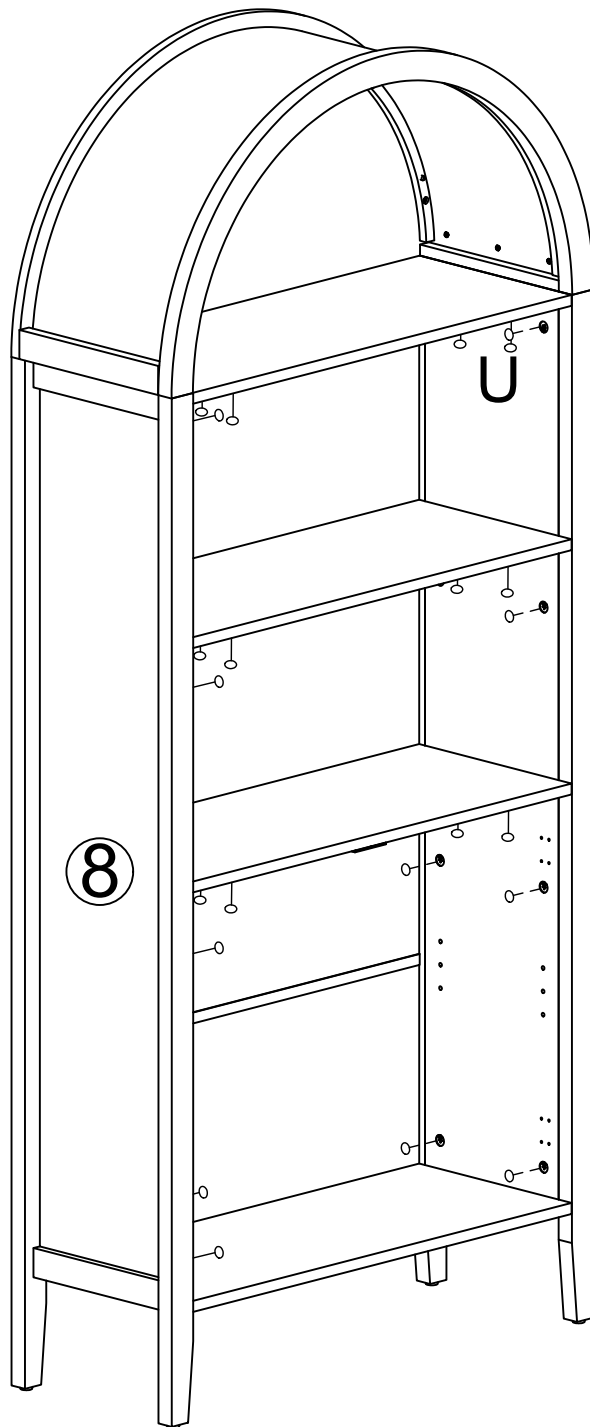
Bx7

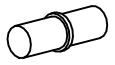
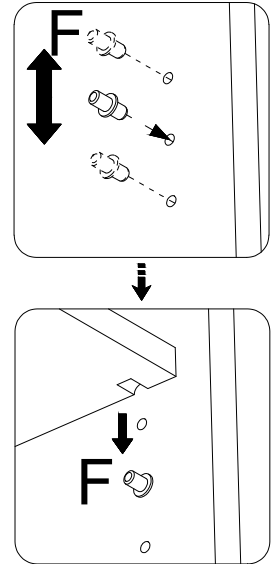
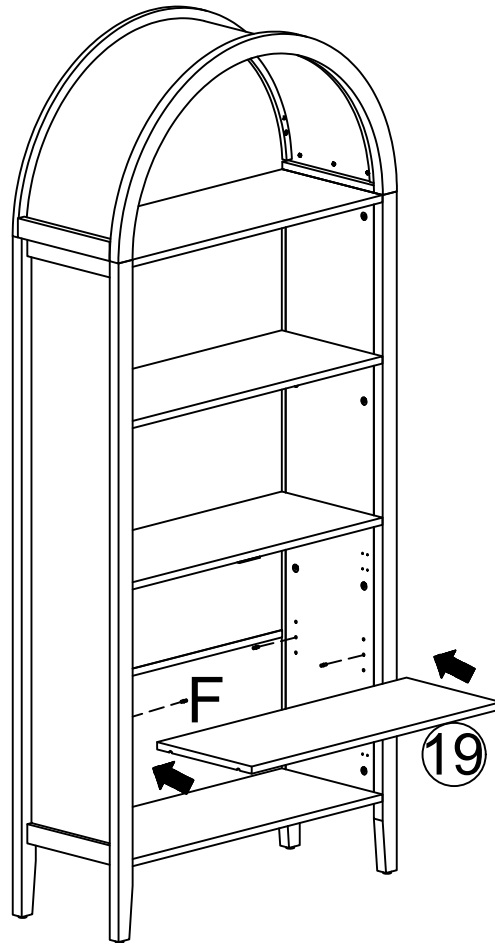
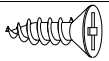
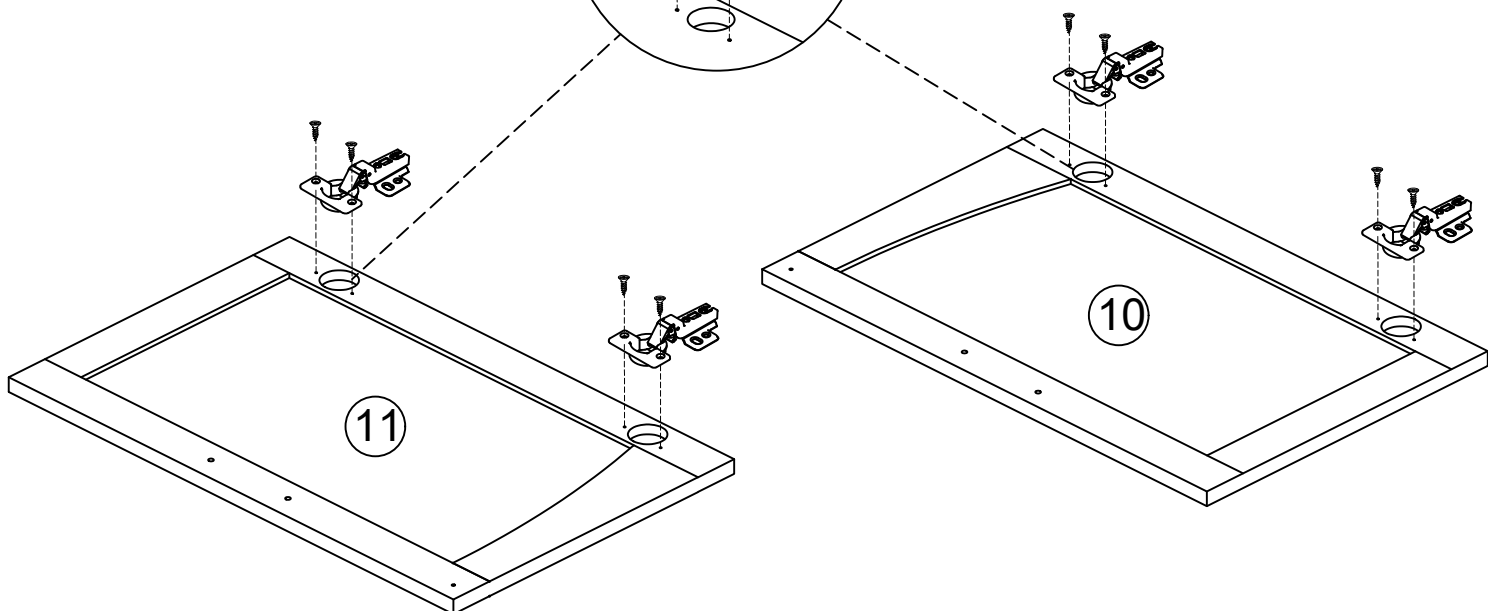
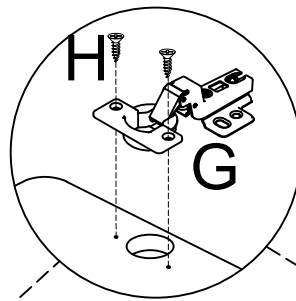


Cx6

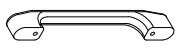


STEP 20**Ux32**

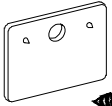


STEP 21**Fx4****STEP 22****Gx4****Hx8**

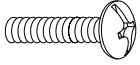
STEP 23



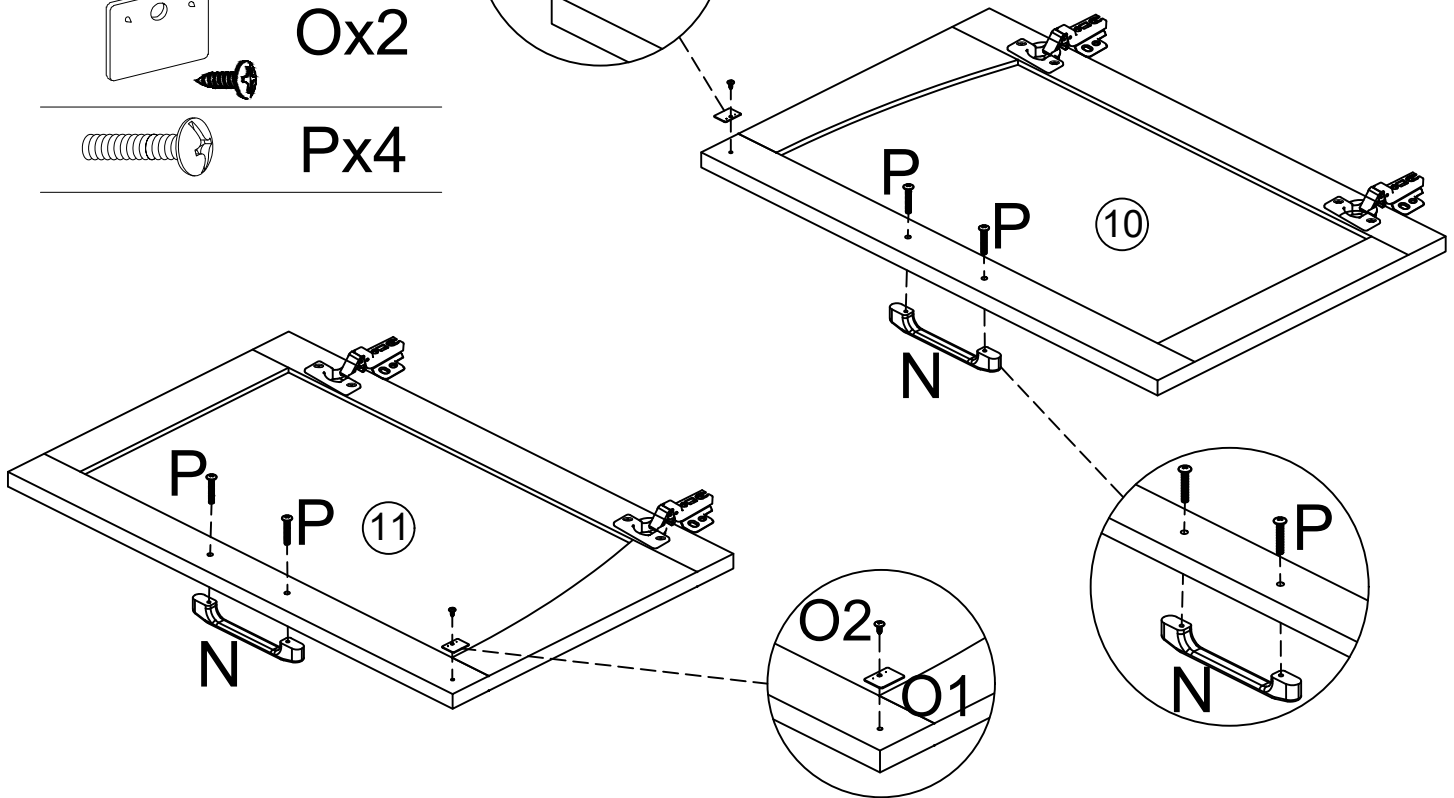
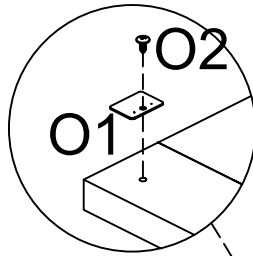
Nx2



Ox2



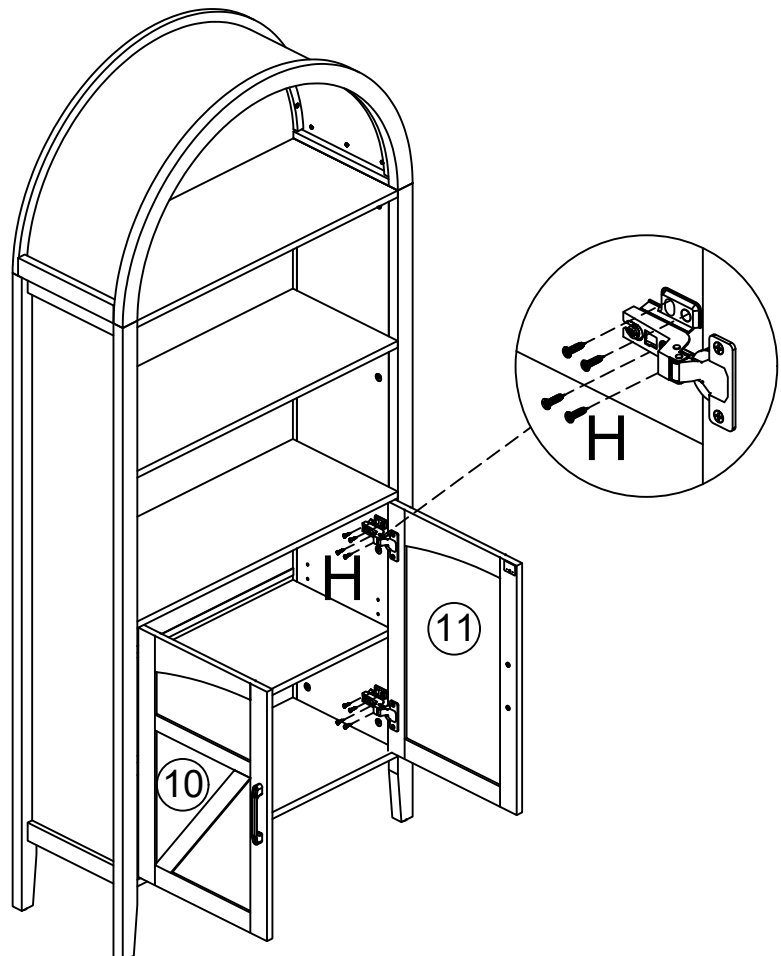
Px4



STEP 24

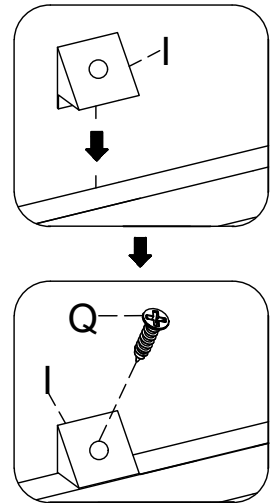
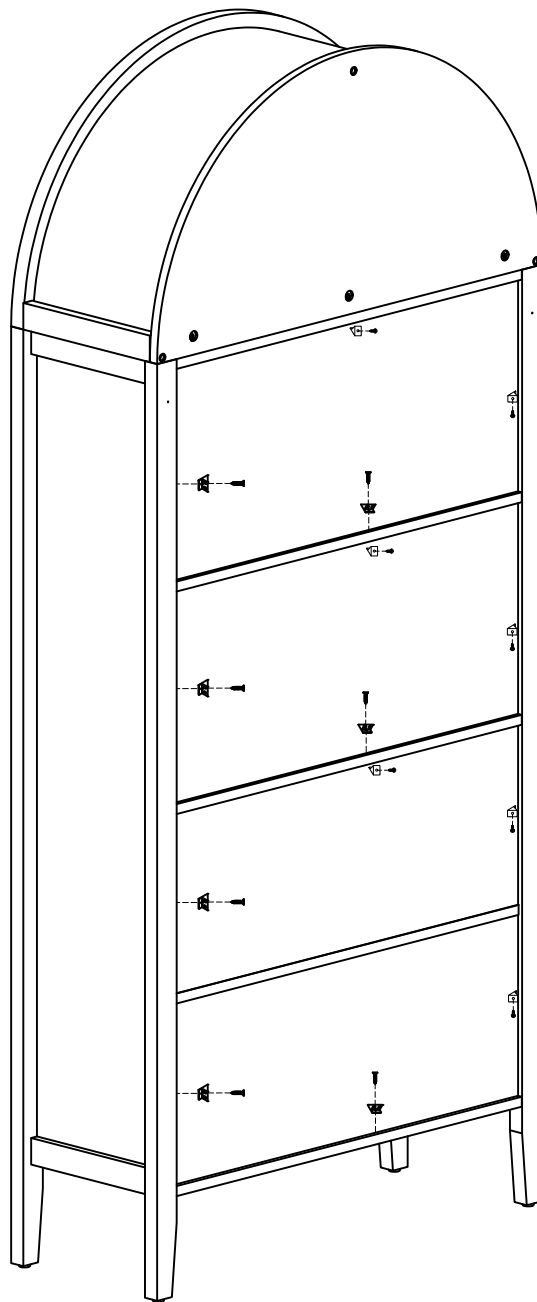


Hx16

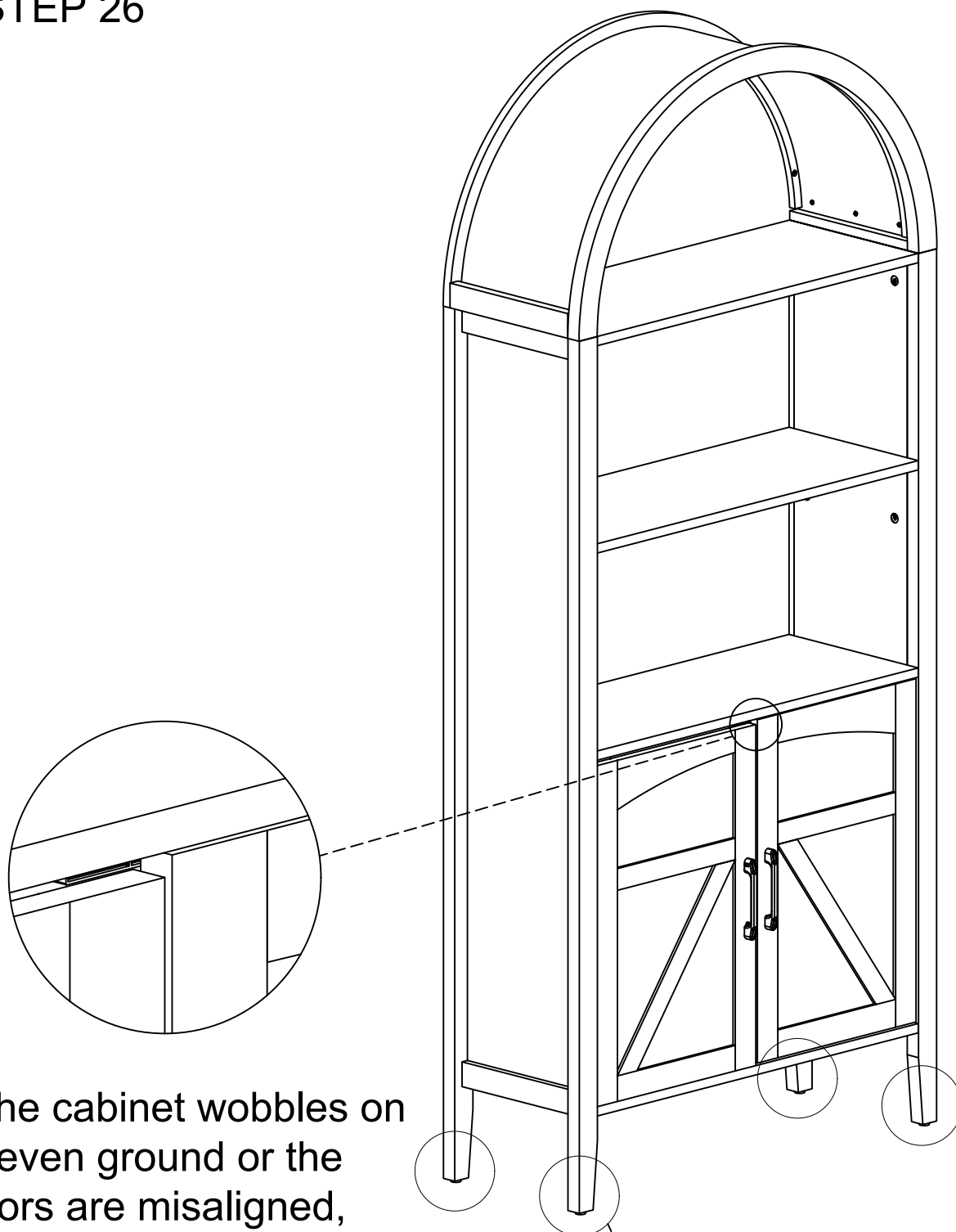


STEP 25

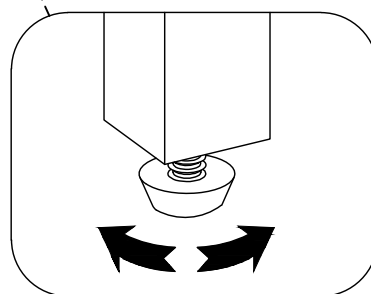
**Ix14****Qx14**



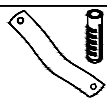
STEP 26

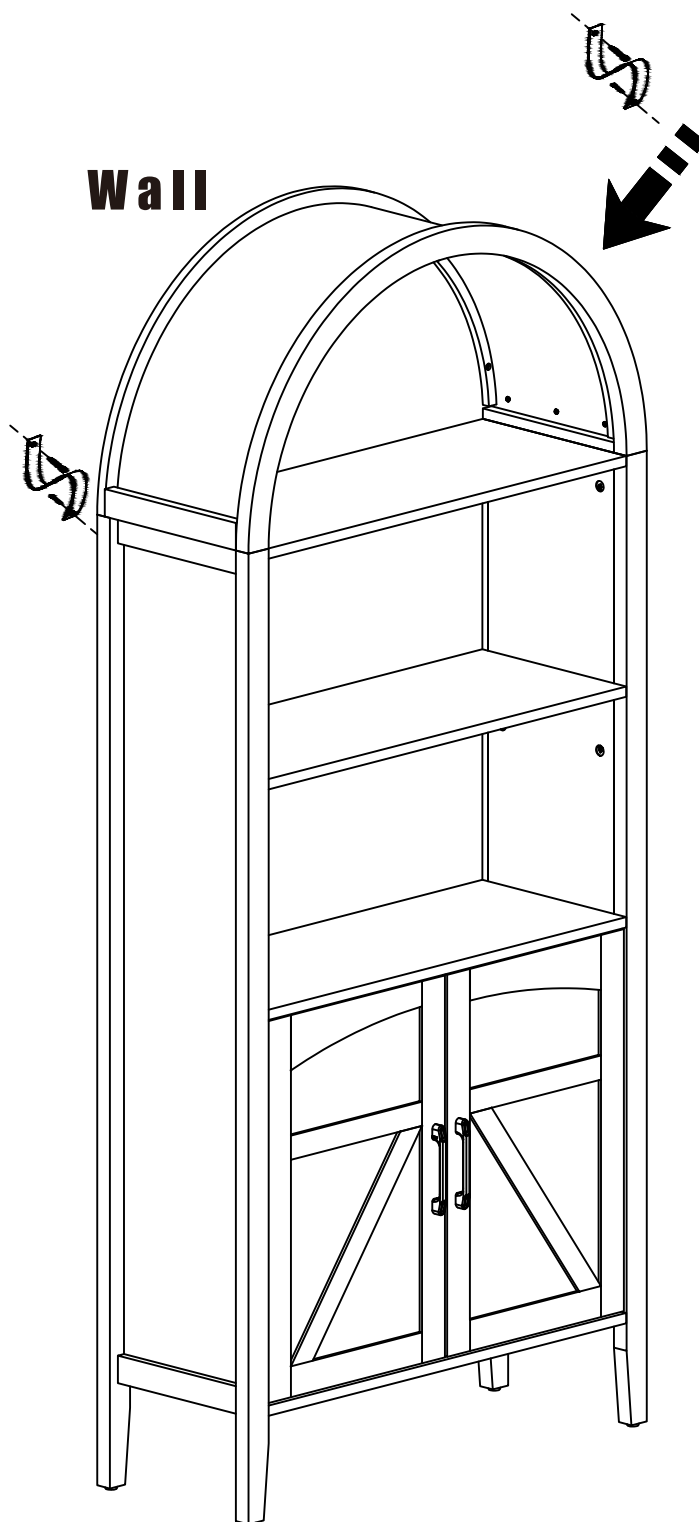
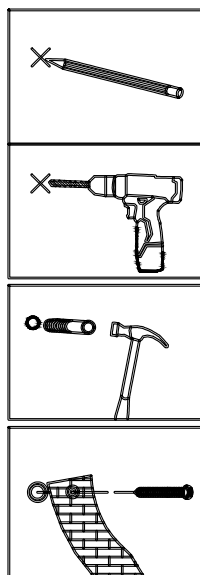


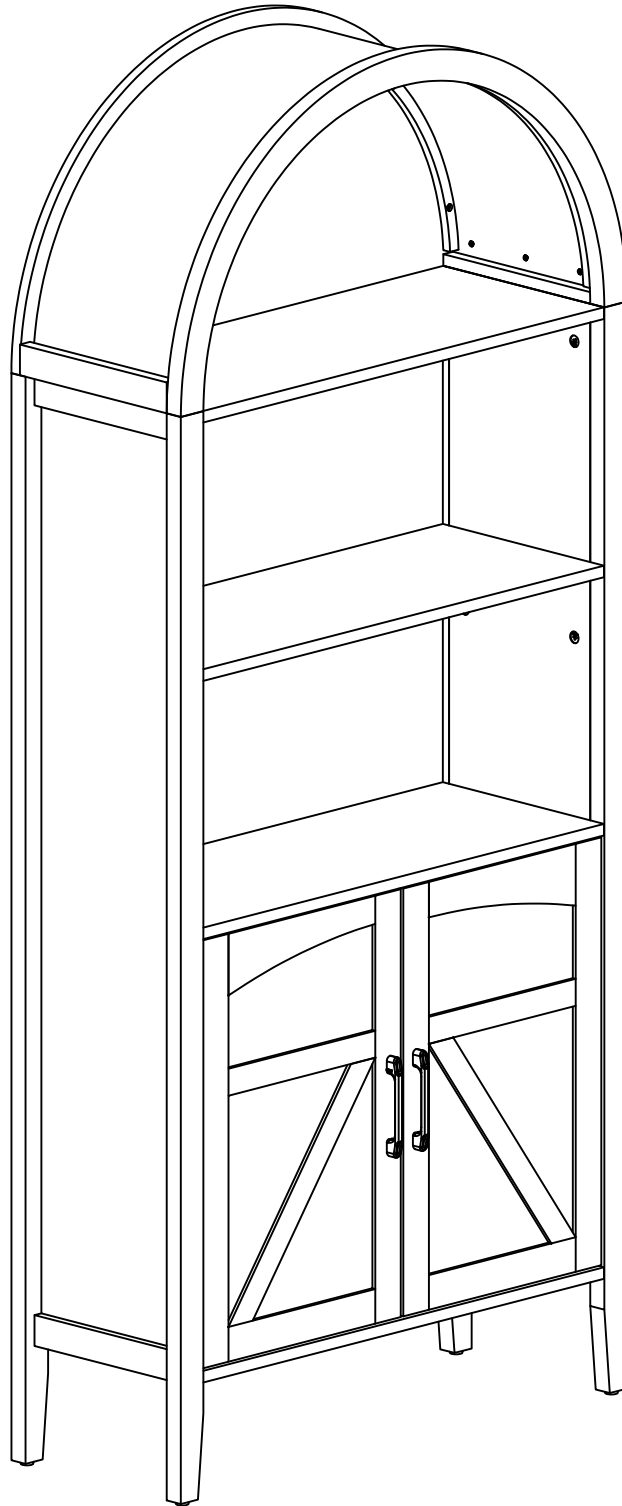
If the cabinet wobbles on uneven ground or the doors are misaligned, please rotate the feet to make adjustments.



STEP 27

**Rx2**



STEP 28

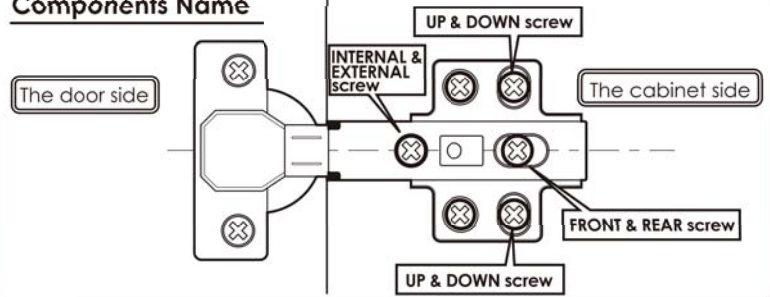
assemble finished

When there is obvious gap between doors or other defectives, please refer last page of the Assembly Instruction.

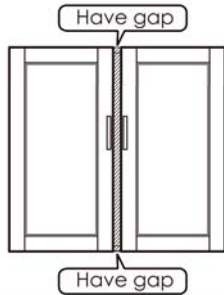
The ways to adjust the door

- Before adjusting the hinge, please check whether the cabinet is skewed.
- If the skew can not be repaired, please remove the anti-tipping device first, then adjust the cabinet to vertical position.
- Please adjust the hinge with the door open.
- Please operate it with more than 2 people, one person holds the door and the other one adjusts the screw.

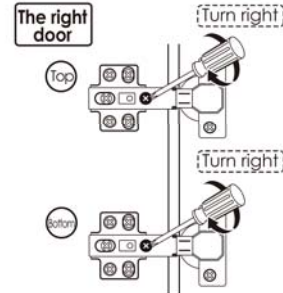
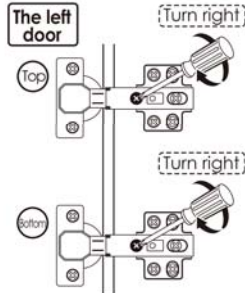
Components Name



Obvious gaps between doors or Doors don't look closed



- 1 Turn "internal & external screw" to the right can make the door approach inside. Please adjust the doors little by little.



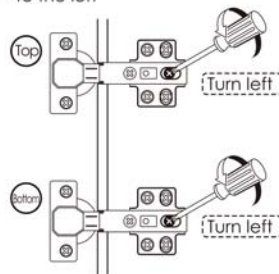
※ If the 2 doors are overlap, please turn the "internal & external screw" to the left.

When door is crooked

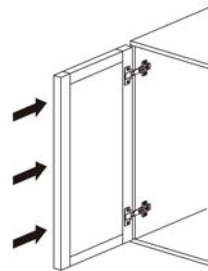


Please take the following steps to adjust first.

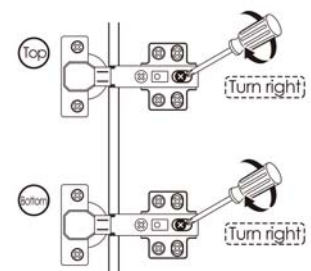
- 1 Rotate the "front and rear screws" to the left



- 2 Push the door to the cabinet

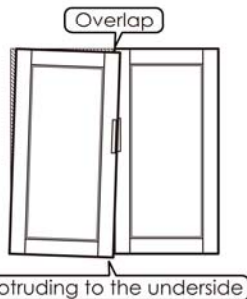


- 3 Rotate the "front and rear screws" to the right

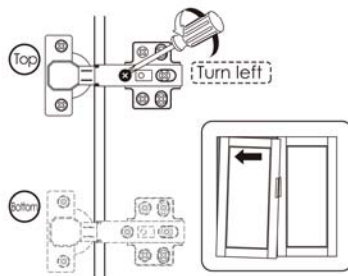


※ After adjusting the "front and rear screw", the door still does not change, please turn the "internal & external screw" to the right slightly.

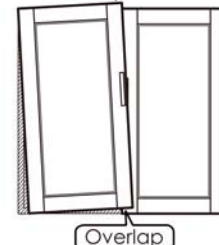
When door is leaning



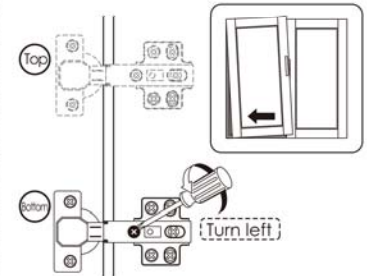
- 1 Turn "internal & external screw" to the left can make the top of the door tilted outward.



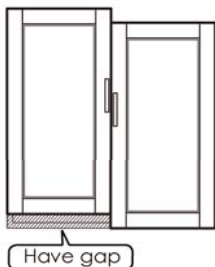
Protruding to the upside



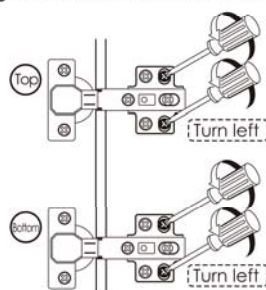
- 1 Turn "internal & external screw" to the left can make the bottom of the door tilted outward.



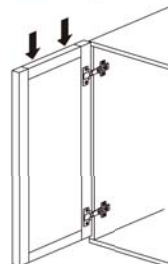
When the door is higher on top



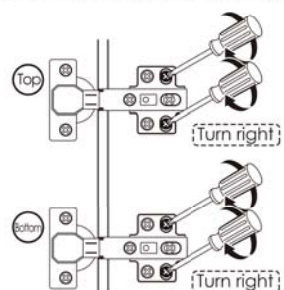
- 1 Turn "up & down screw" to the left



- 2 Lower the door's height so that 2 doors are of the same height.



- 3 Turn "up & down screw" to the right



※ If the door is lower on bottom, please lift up the left door slightly on step 2