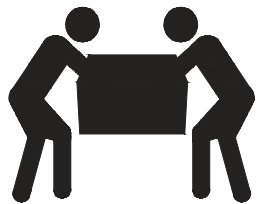


FSDL-V1

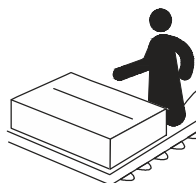
TS-3047

Notice:

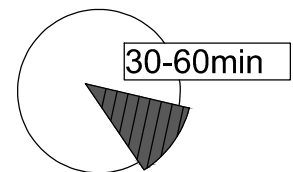
1. Follow the installation instructions. Please confirm all accessories are preset before installation.
2. Do not fully tighten the screws during initial assembly. Fully tighten screws only once all pieces which are correctly assembled.
3. If you encounter any problems during installation, please contact our customer service.
4. Please unbox the item from the side with an open-label and put a carpet on the floor to avoid scratching it.



Recommended installers: 2

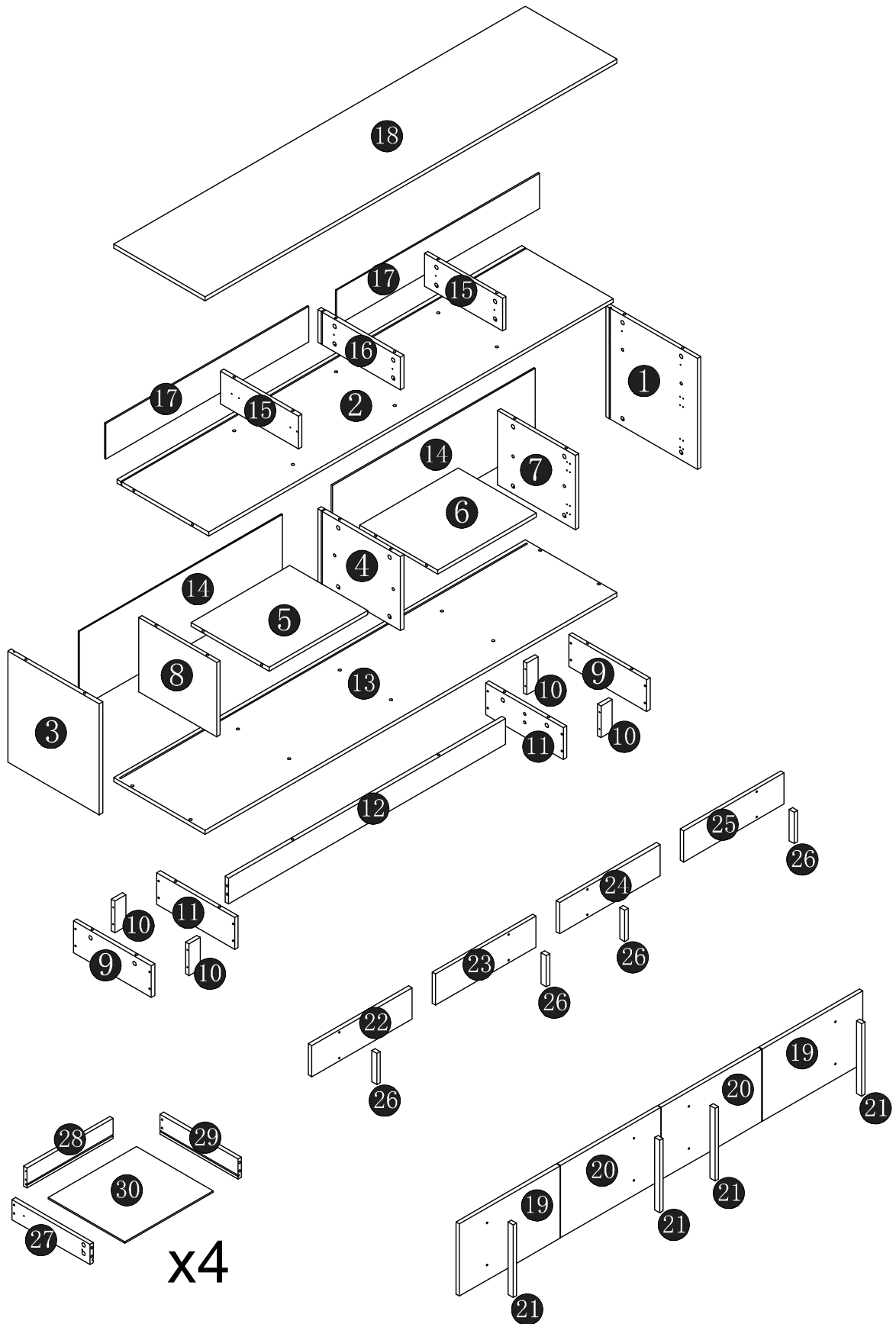


Put a carpet on the floor
before unpacking

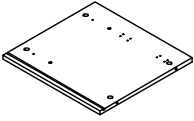
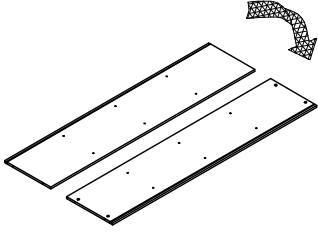
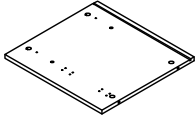
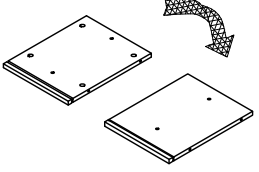
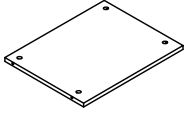
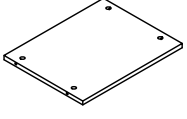
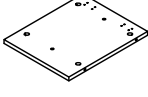
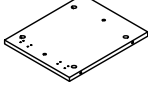
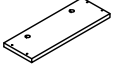

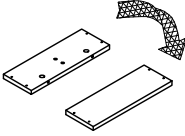
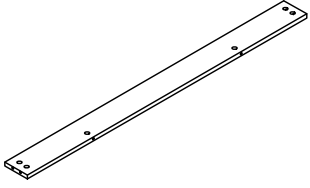
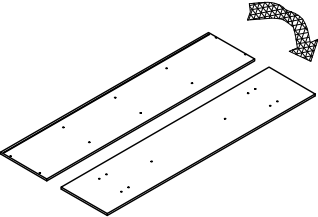
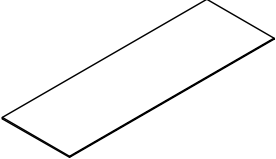
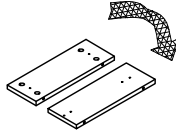
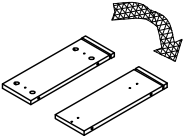
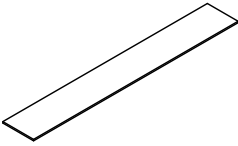
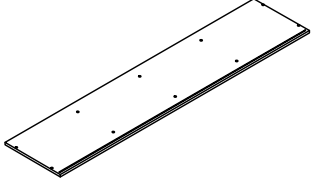
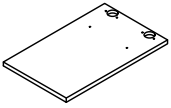
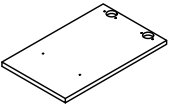


Estimate installation time:
60 minutes

ASSEMBLY INSTRUCTION



ASSEMBLY INSTRUCTION

1 1PC 	2 1PC 	3 1PC 	4 1PC 
5 1PC 	6 1PC 	7 1PC 	8 1PC 
9 2PCS 	10 4PCS 	11 2PCS 	12 1PC 
13 1PC 	14 2PCS 	15 2PCS 	16 1PC 
17 2PCS 	18 1PC 	19 2PCS 	20 2PCS 

ASSEMBLY INSTRUCTION

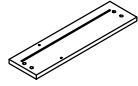
21

4PCS



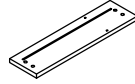
22

1PC



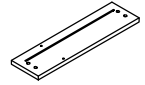
23

1PC



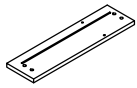
24

1PC



25

1PC



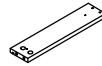
26

4PCS



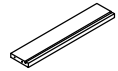
27

4PCS



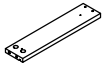
28

4PCS



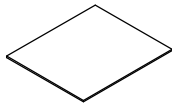
29

4PCS



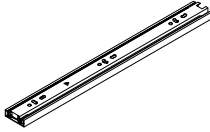
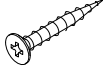

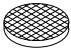

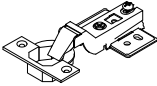

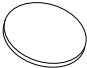
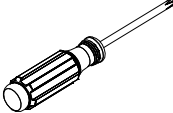


30

4PCS



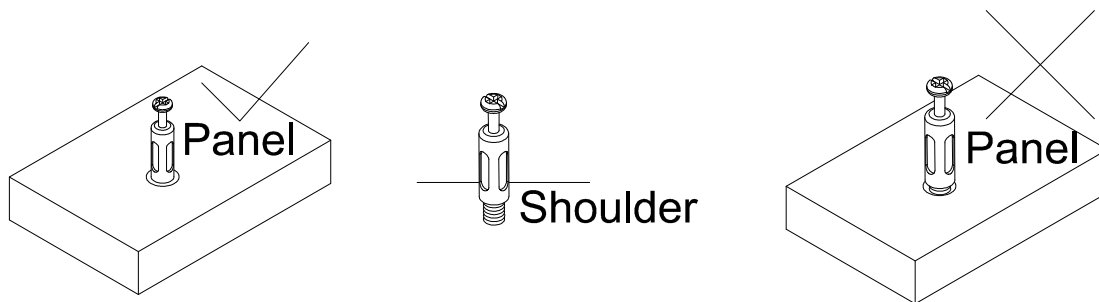
ASSEMBLY INSTRUCTION

<p>A 74PCS +5PCS</p>  <p style="text-align: center;">M6*40</p>	<p>B 74PCS +5PCS</p>  <p style="text-align: center;">Ø15*10</p>	<p>C 8PCS</p>  <p style="text-align: center;">14"</p>	<p>D 104PCS</p>  <p style="text-align: center;">Ø3.5*14</p>
<p>E 32PCS</p>  <p style="text-align: center;">Ø3.5*35</p>	<p>F 8PCS</p> 	<p>G 24PCS</p> 	<p>H 8PCS</p> 
<p>I 16PCS</p>  <p style="text-align: center;">M4*20mm</p>	<p>J 74PCS</p> 		

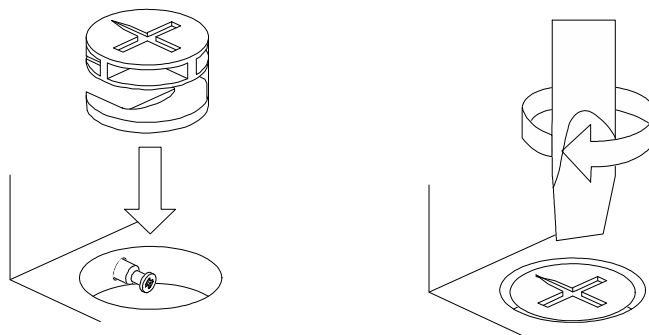
ASSEMBLY INSTRUCTION

Use the Cam Lock and Eccentric Wheel ECCENTRIC WHEEL

Tighten the bolt until the shoulder is aligned with the panel.
Be suer not to tighten too much or too little.



The pre-inserted nut should align with the center of the cam lock when joining two panels. The cam lock should be inserted before the eccentric wheel.



Turn the cam lock clockwise to tighten

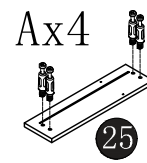
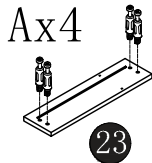
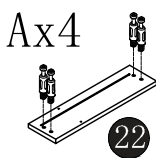
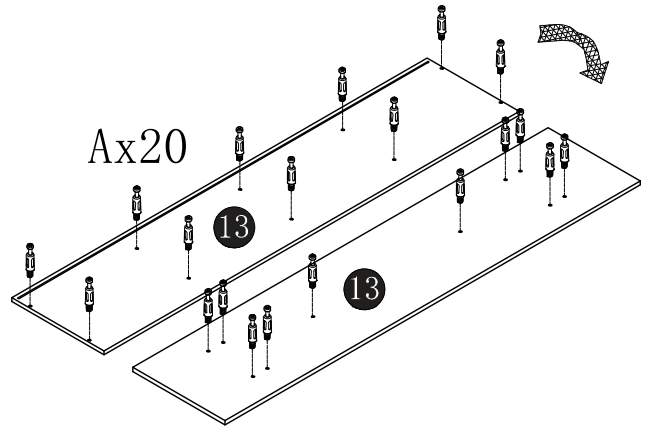
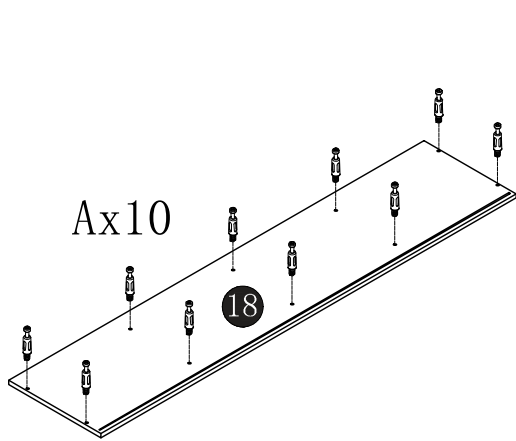
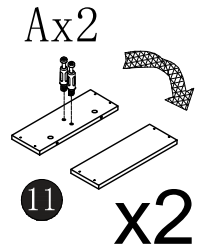
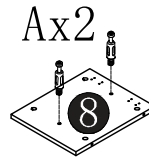
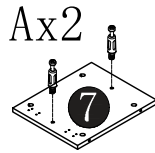
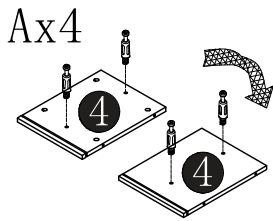
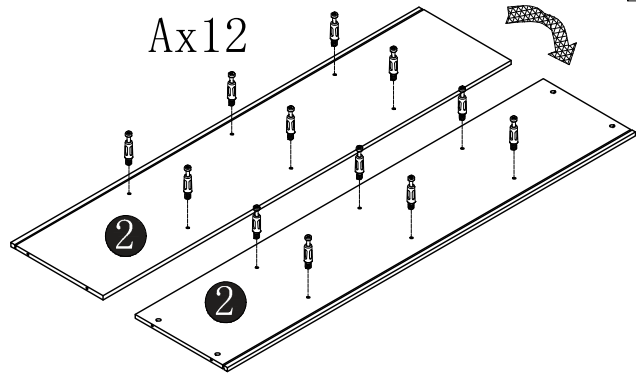
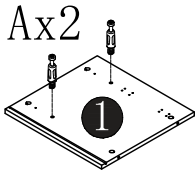
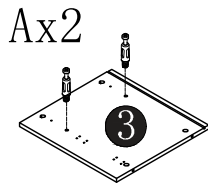
ASSEMBLY INSTRUCTION

Step 1

A 74PCS




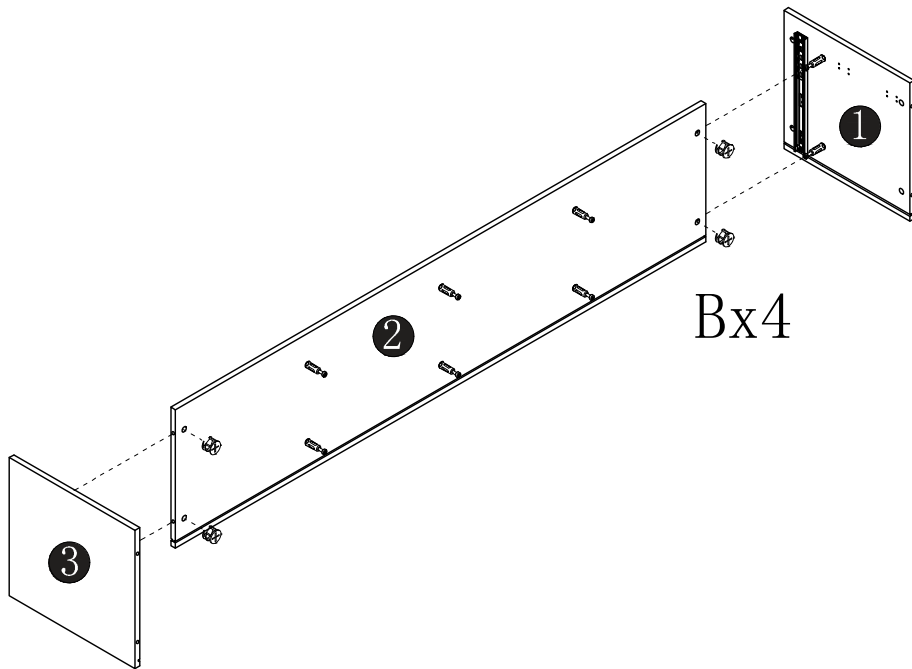
M6*40




ASSEMBLY INSTRUCTION

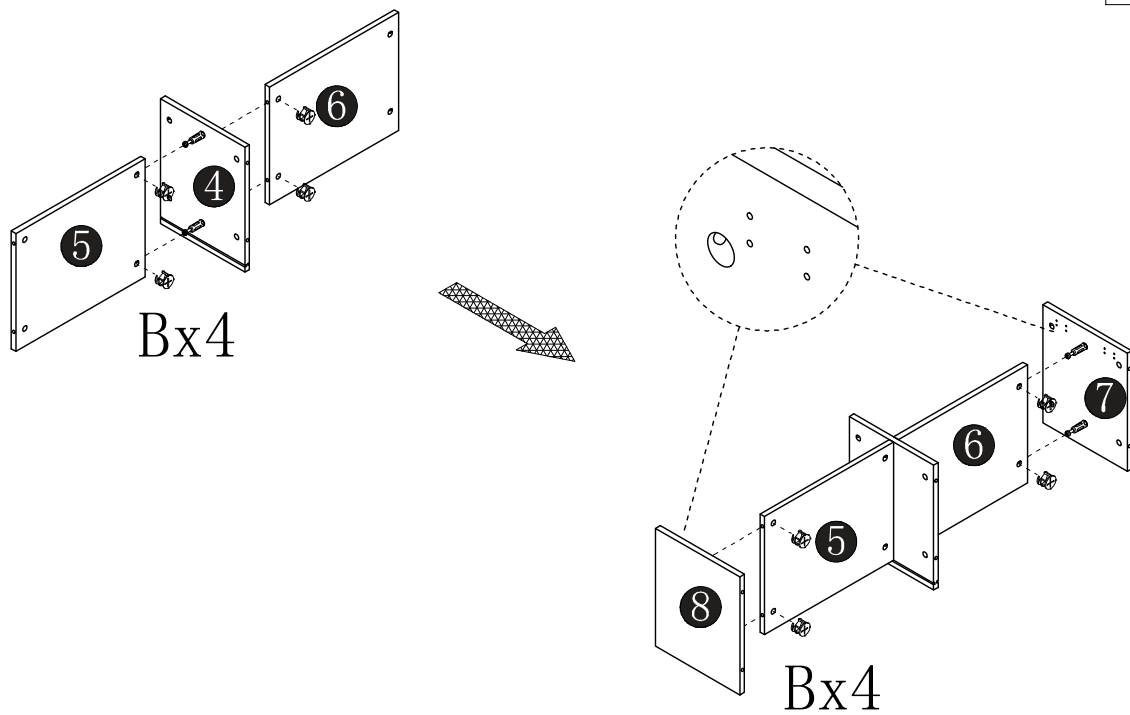
Step 4

B 2PCS

Ø15*10mm




Step 5

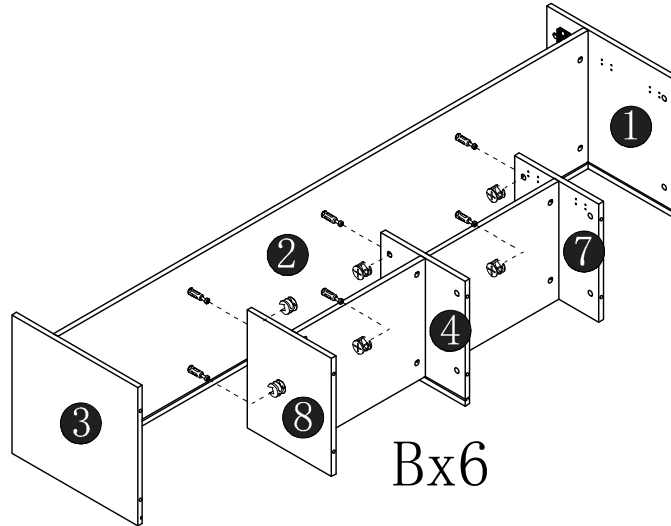
B 8PCS

Ø15*10mm





ASSEMBLY INSTRUCTION

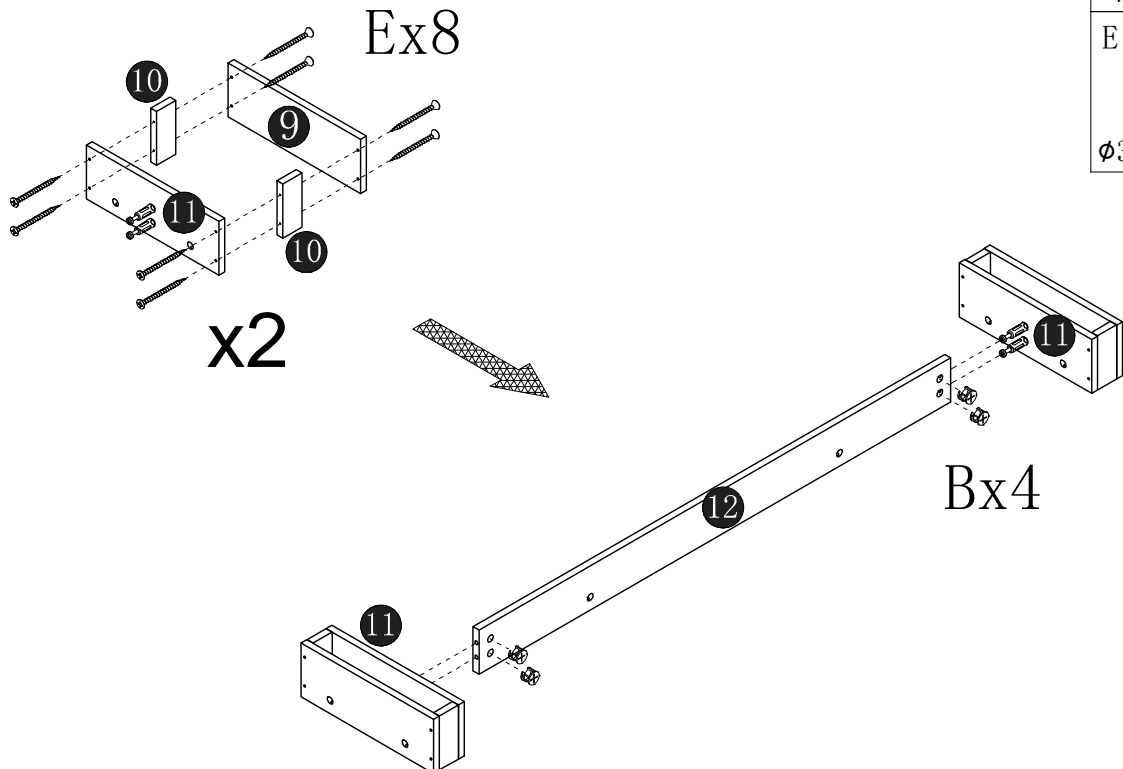
Step 6

B 6PCS

Ø15*10mm



Step 7

B 4PCS

Ø15*10mm
E 16PCS

Ø3.5*40mm



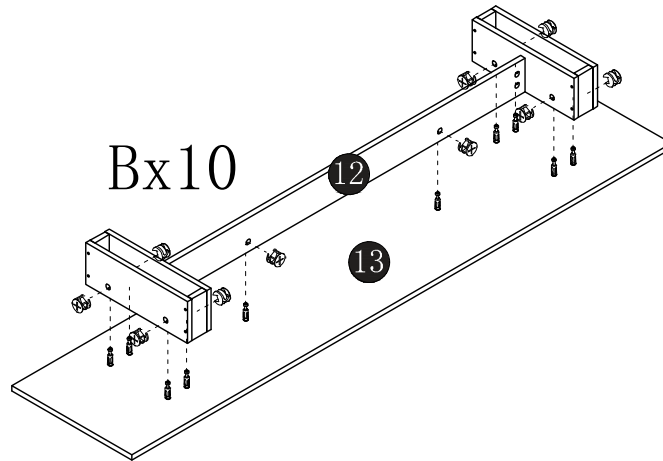
ASSEMBLY INSTRUCTION

Step 8

B 10PCS



Ø15*10mm

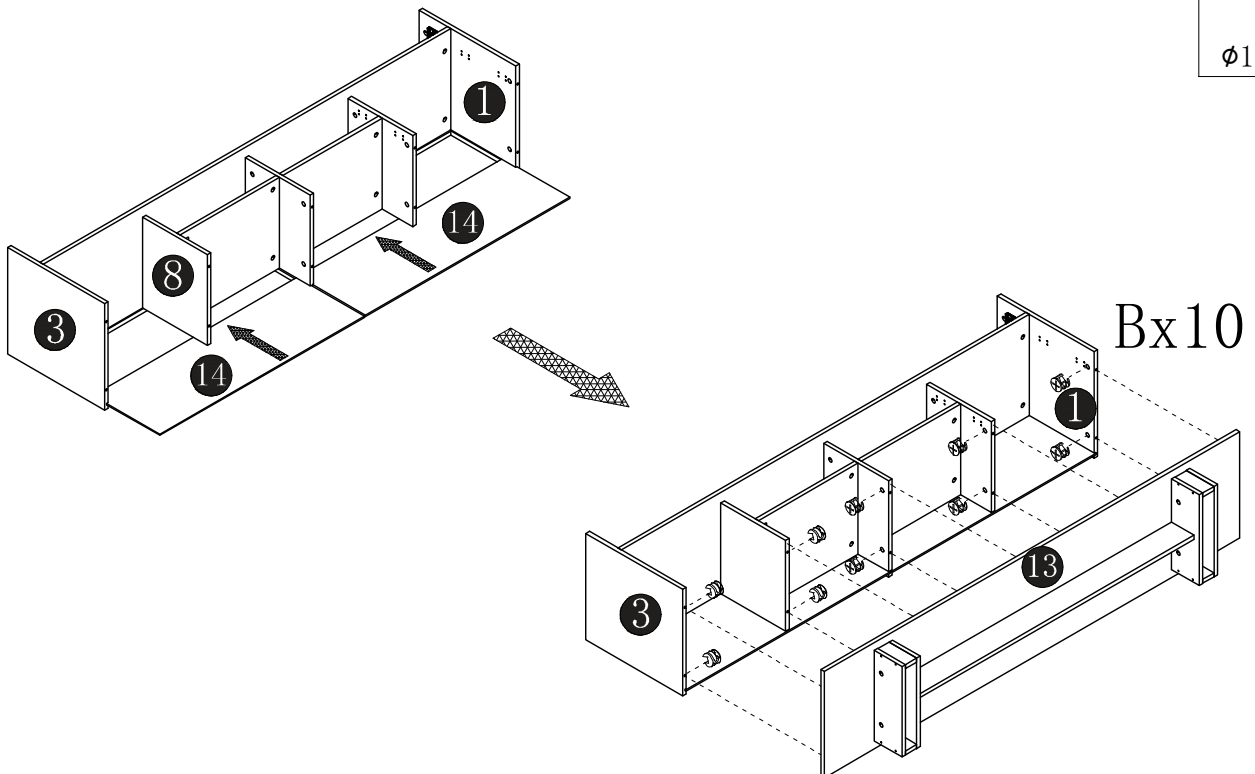


Step 9

B 10PCS

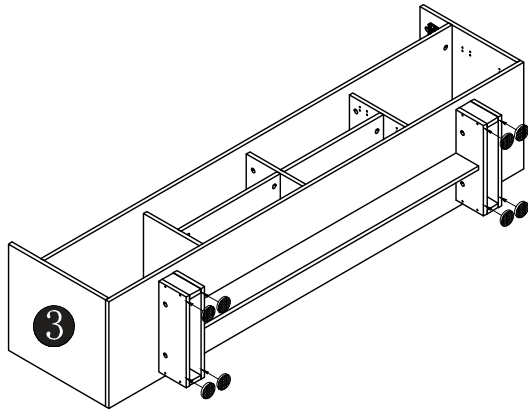


Ø15*10mm

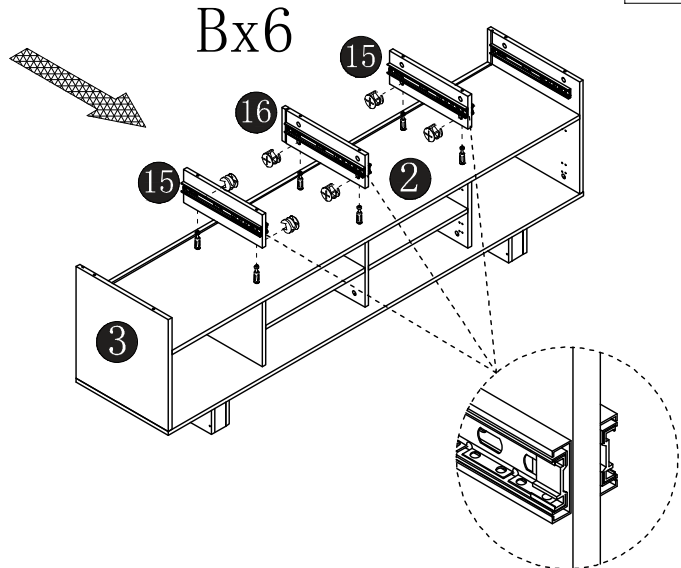


ASSEMBLY INSTRUCTION

Step 10



Fx4



B 6PCS

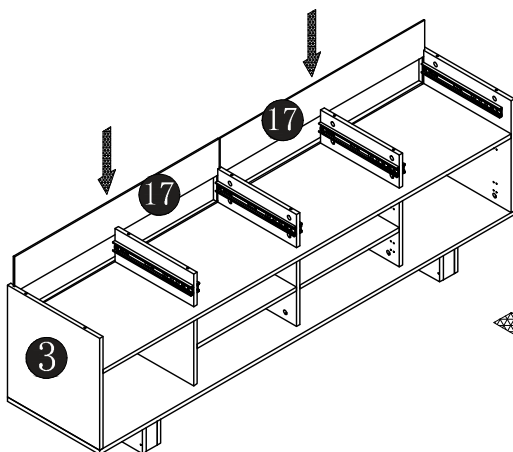


Ø15*10mm

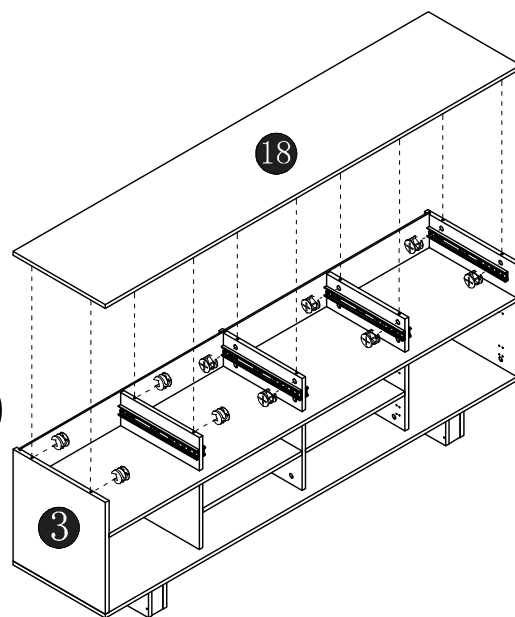
F 8PCS



Step 11



Bx10



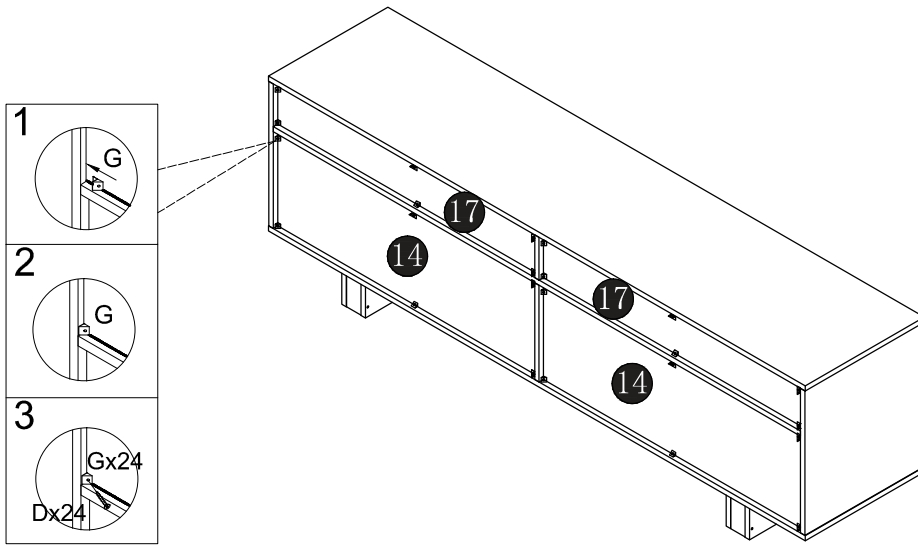
B 10PCS



Ø15*10mm

ASSEMBLY INSTRUCTION

Step 12



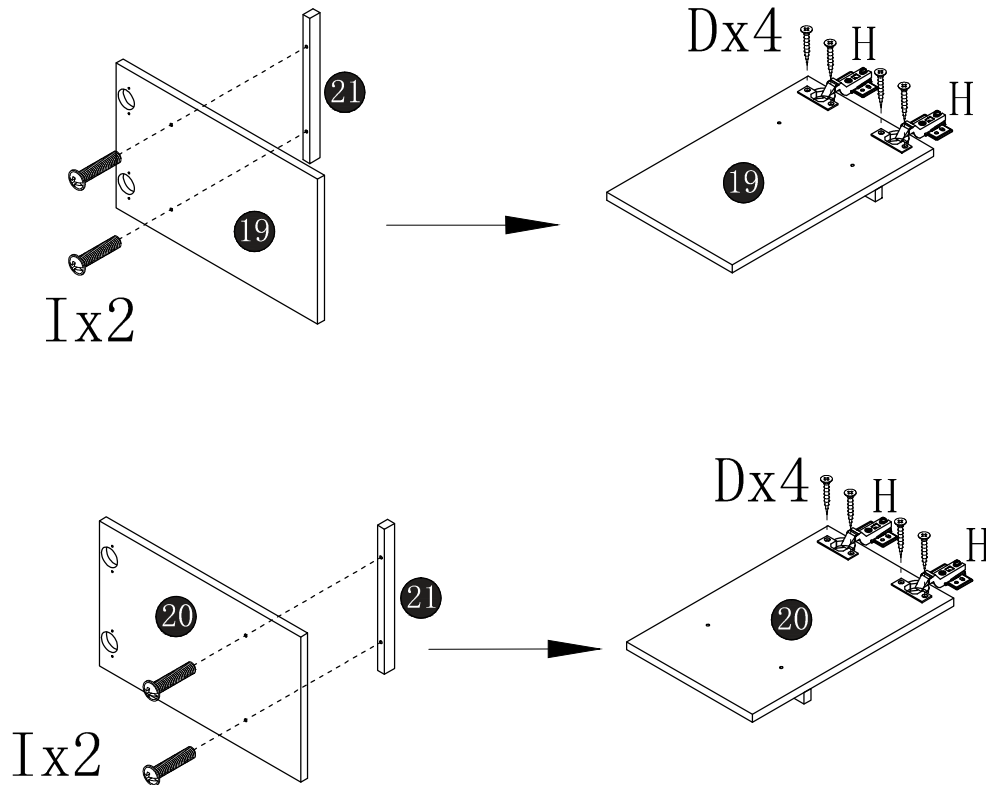
D 24PCS



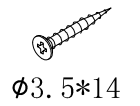
G 24PCS



Step 13



D 16PCS



I 8PCS



H 8PCS



x2

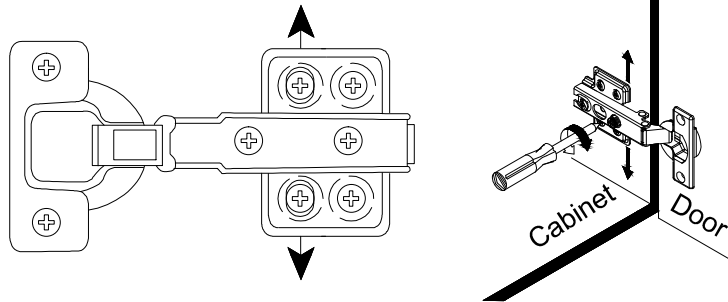
ASSEMBLY INSTRUCTION

Step 14

Cabinet Door Adjustment Instructions

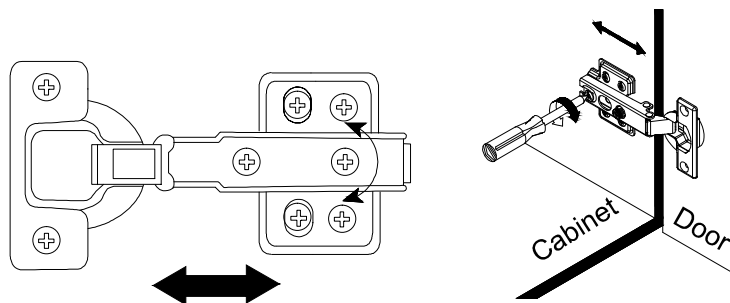
Height adjustment:

- Locate the height adjustment screws on the hinge.
- Use the Phillips screwdriver to either tighten or loosen the screws to raise or lower the cabinet door as desired.



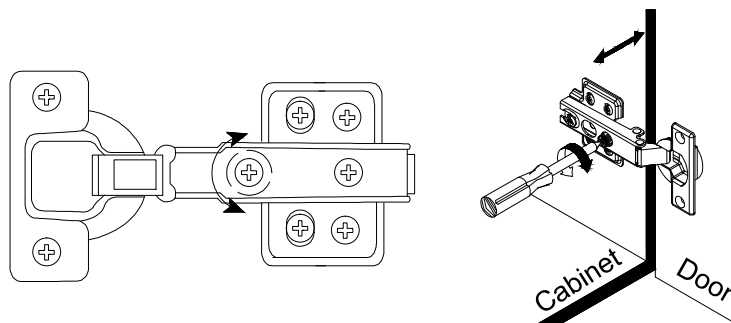
Side-to-side adjustment:

- If the cabinet door needs to be moved closer to or away from the cabinet frame, locate the side-to-side adjustment screws on the hinge.
- Use the Phillips screwdriver to adjust these screws and gradually move the door in the desired direction.



Depth adjustment (if applicable):

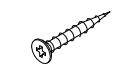
- Check if the cabinet door needs to be brought closer to or further away from the cabinet frame.
- For depth adjustment, locate the depth adjustment screws on the hinge.
- Use the Phillips screwdriver to turn these screws clockwise or counterclockwise accordingly.



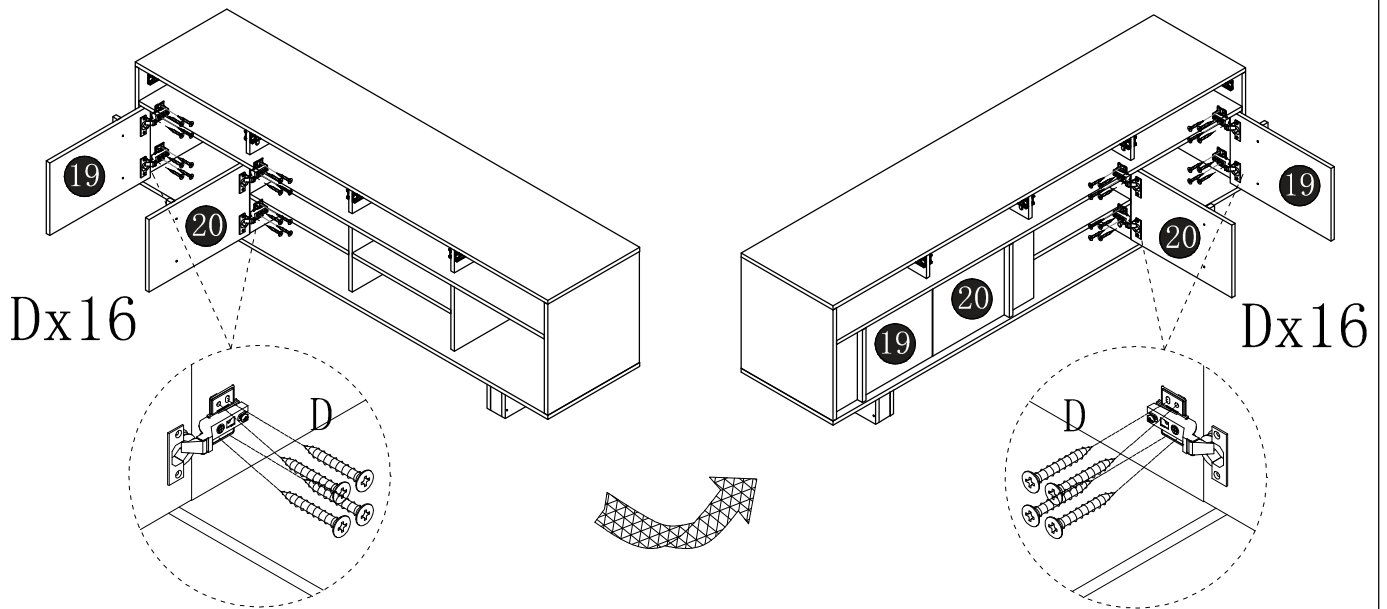
ASSEMBLY INSTRUCTION

Step 15

D 32PCS



Ø3.5*14

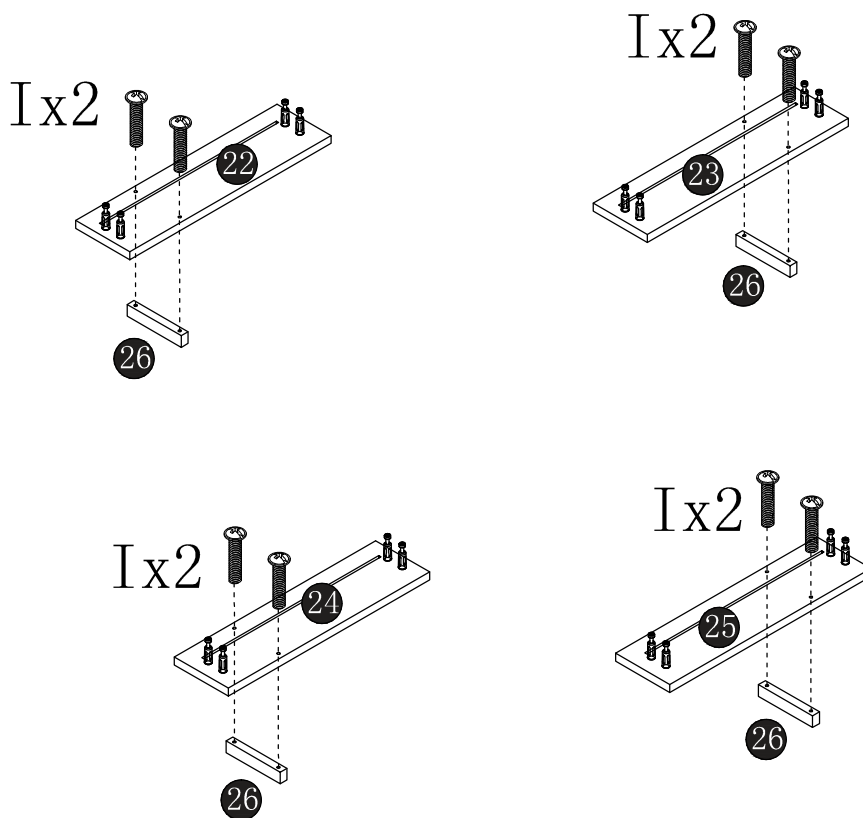


Step 16

I 8PCS

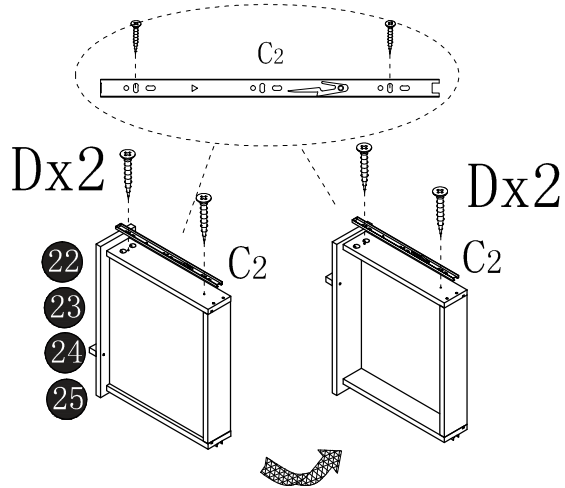
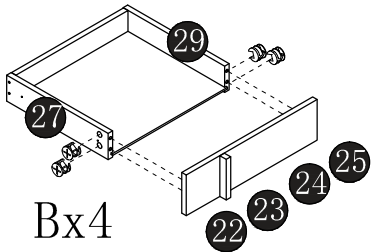
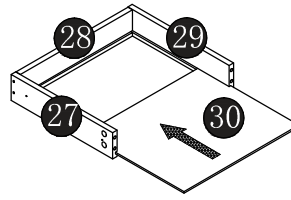
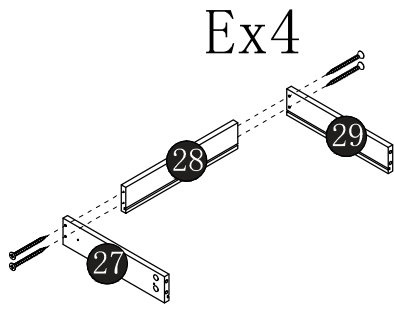


M4*20mm



ASSEMBLY INSTRUCTION

Step 17



B 16PCS



Ø15*10mm

C2 8PCS



14"

D 16PCS



Ø3.5*14

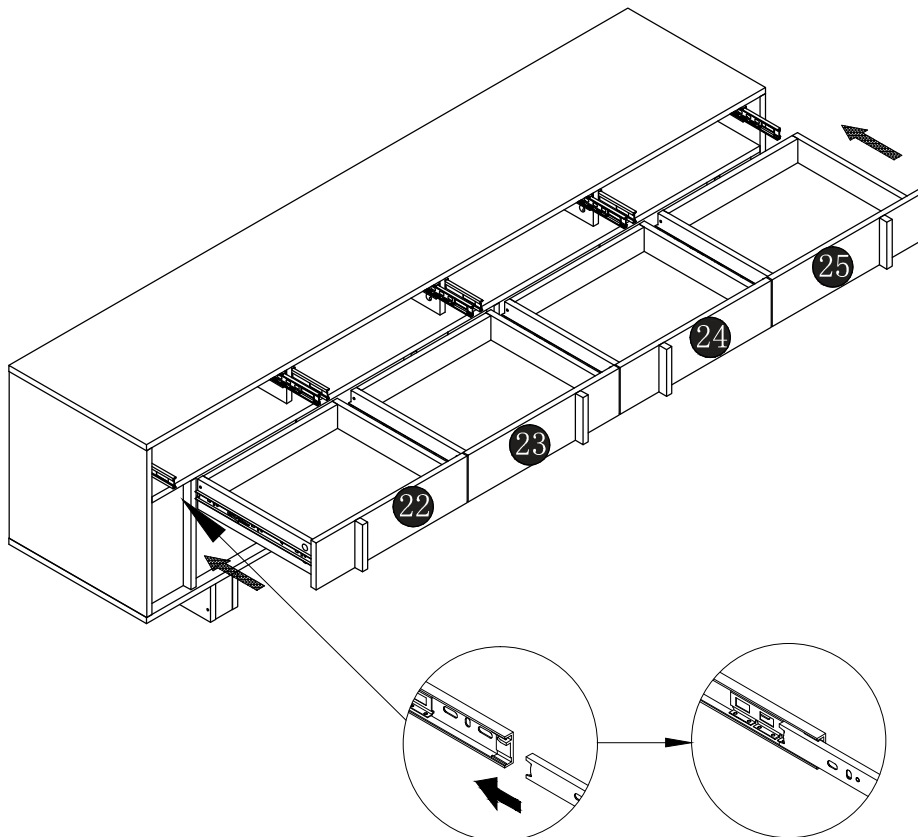
E 16PCS



Ø3.5*40mm

x4

Step 18



OK