

**ASSEMBLY INSTRUCTIONS**  
**COASTER FINE FURNITURE**



*Fine Furniture for every stage of life*

**224330Q (B1-B3)**  
**Queen Bed**

# ITEM: 224330Q (B1-B3)



## ASSEMBLY INSTRUCTIONS

### ASSEMBLY TIPS:

1. Remove hardware from box and sort by size.
2. Please check to see that all hardware and parts are present prior to start of assembly.
3. Please follow attached instructions in the same sequence as numbered to assure fast & easy assembly.



### WARNING!

1. Don't attempt to repair or modify parts that are broken or defective. Please contact the store immediately.
2. This product is for home use only and not intended for commercial establishments.




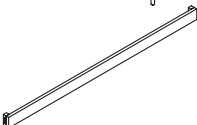


ASSEMBLY TIME

25 MINUTES

## PART IDENTIFICATION

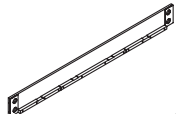
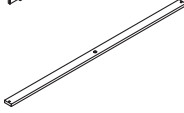

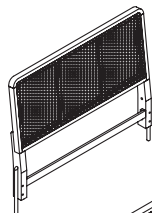
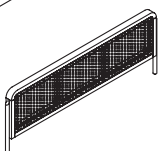
### B1 (BOX 1)

A	HEADBOARD PANEL		1PC
B	LEFT HEADBOARD LEG		1PC
C	RIGHT HEADBOARD LEG		1PC
D	HEADBOARD BOTTOM RAIL		1PC

### B2 (BOX 2)

E	FOOTBOARD		1PC
---	-----------	--	-----

### B3 (BOX 3)

F	BED RAIL		2PCS
G	BED SLAT		4PCS
H	BED SLAT SUPPORT WITH LEVELER		4PCS
HB	224330Q(B1) *FROM BOX 1 HEADBOARD COMPLETE		1PC
E	224330Q(B2) *FROM BOX 2 FOOTBOARD*		1PC

# ITEM: 224330Q (B1-B3)



## ASSEMBLY INSTRUCTIONS

### ASSEMBLY TIPS:

1. Remove hardware from box and sort by size.
2. Please check to see that all hardware and parts are present prior to start of assembly.
3. Please follow attached instructions in the same sequence as numbered to assure fast & easy assembly.

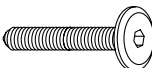
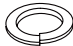


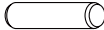


### WARNING!






1. Don't attempt to repair or modify parts that are broken or defective. Please contact the store immediately.
2. This product is for home use only and not intended for commercial establishments.

## HARDWARE IDENTIFICATION

### Z-B1 (BOX 1) - HARDWARE PACK IS LOCATED IN 224330Q (B1)

1	<b>BOLT</b> (5/16" x 45mm - BLK)		8PCS
2	<b>LOCK WASHER</b> (1.6 x 14mm - BLK)		8PCS
3	<b>FLAT WASHER</b> (1 x 18mm - BLK)		8PCS
4	<b>ALLEN WRENCH</b> (M5 x 65mm - BLK)		1PC
5	<b>WOOD DOWEL</b> (10 x 30mm - BRW)		4PCS

### Z-B3 (BOX 3) - HARDWARE PACK IS LOCATED IN 224330Q (B3)

6	<b>FLAT HEAD SCREW</b> (8 x 38mm - BLK)		8PCS
7	<b>THREADED BOLT</b> (5/16" x 80mm - WHT)		8PCS
8	<b>HEX NUT</b> (5/16" x 100mm - WHT)		8PCS
9	<b>HALF ROUND NUT</b> (22 x 17 x 10mm - WHT)		8PCS
10	<b>WRENCH</b> (13mm - WHT)		1PC

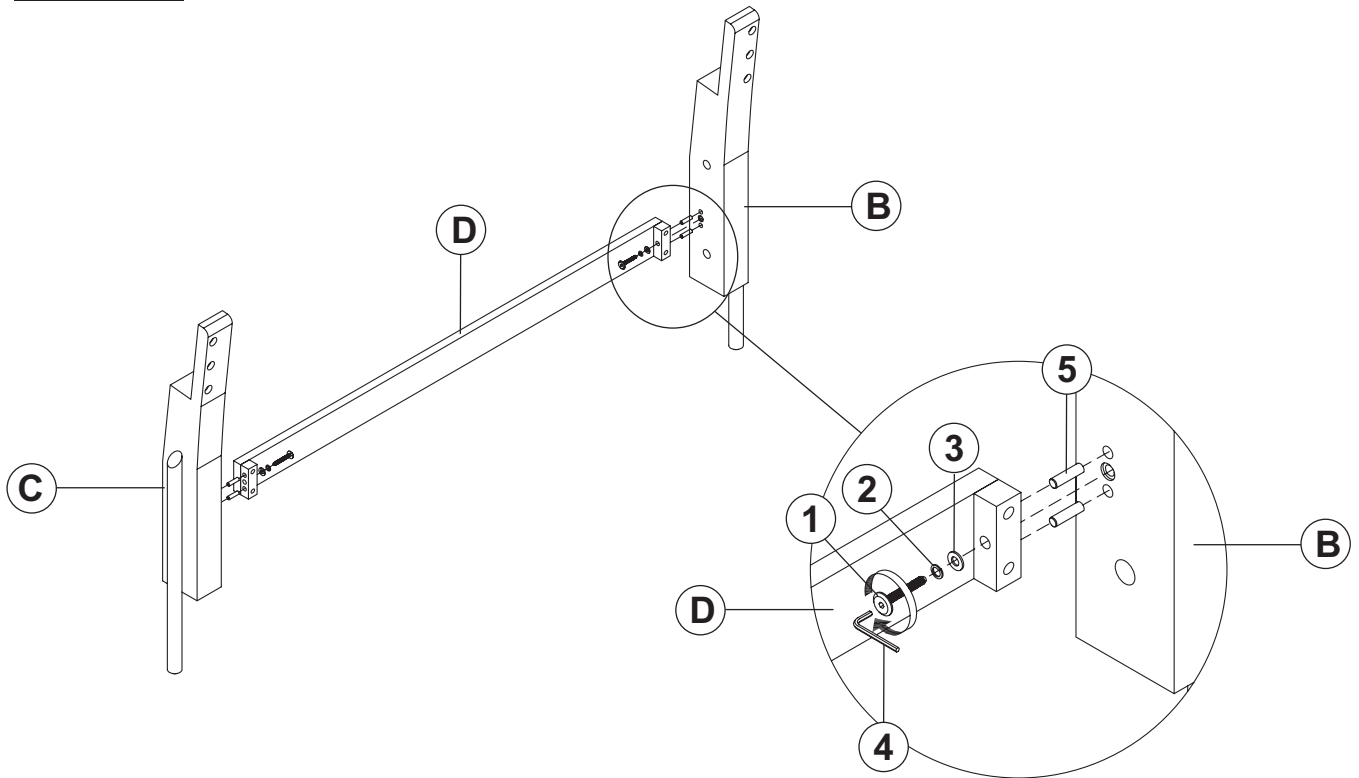
### NOTE :

Philips head screw driver is required in the assembly process; however, manufacturer does not provide this item.

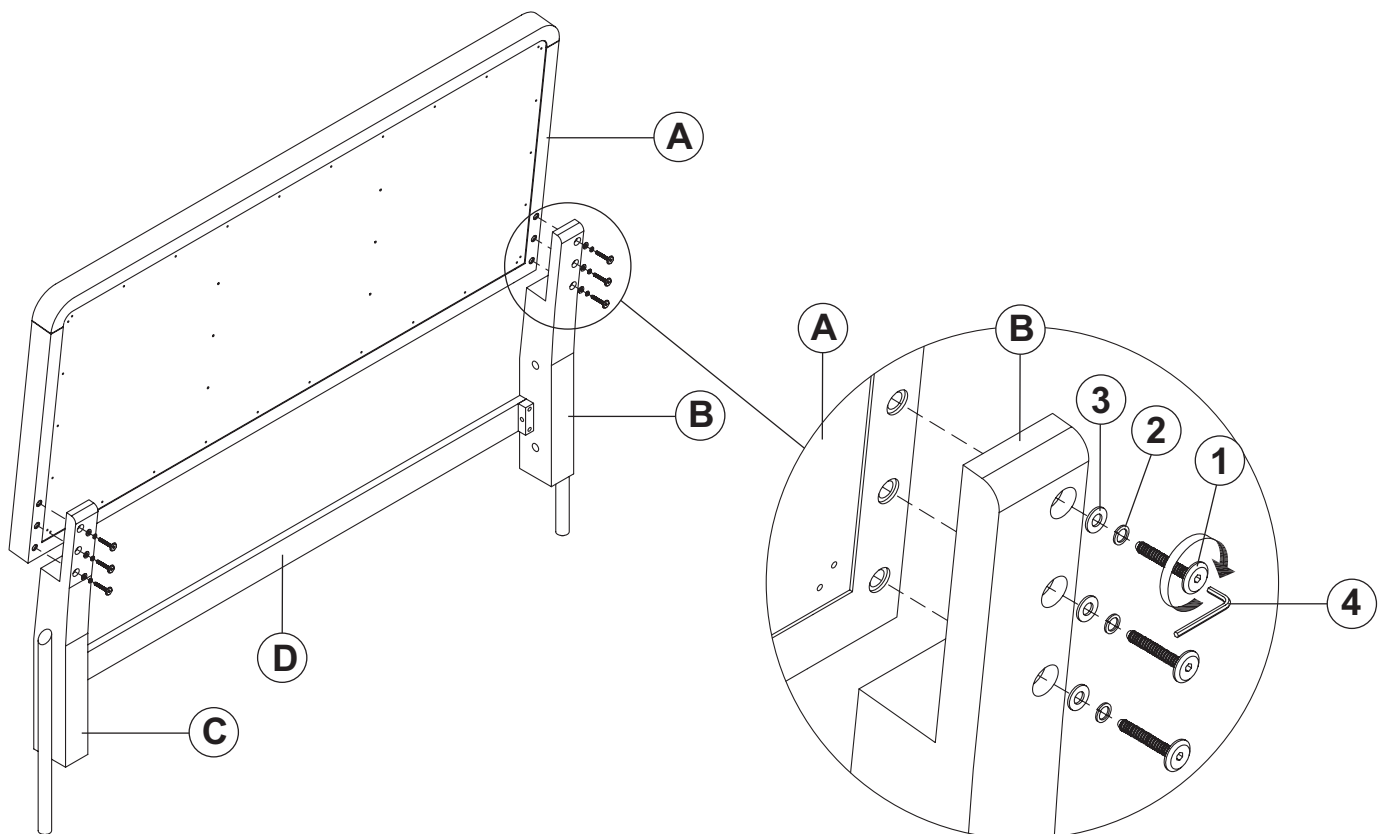
# ITEM: 224330Q (B1-B3)

## ASSEMBLY INSTRUCTIONS

### STEP 1



### STEP 2

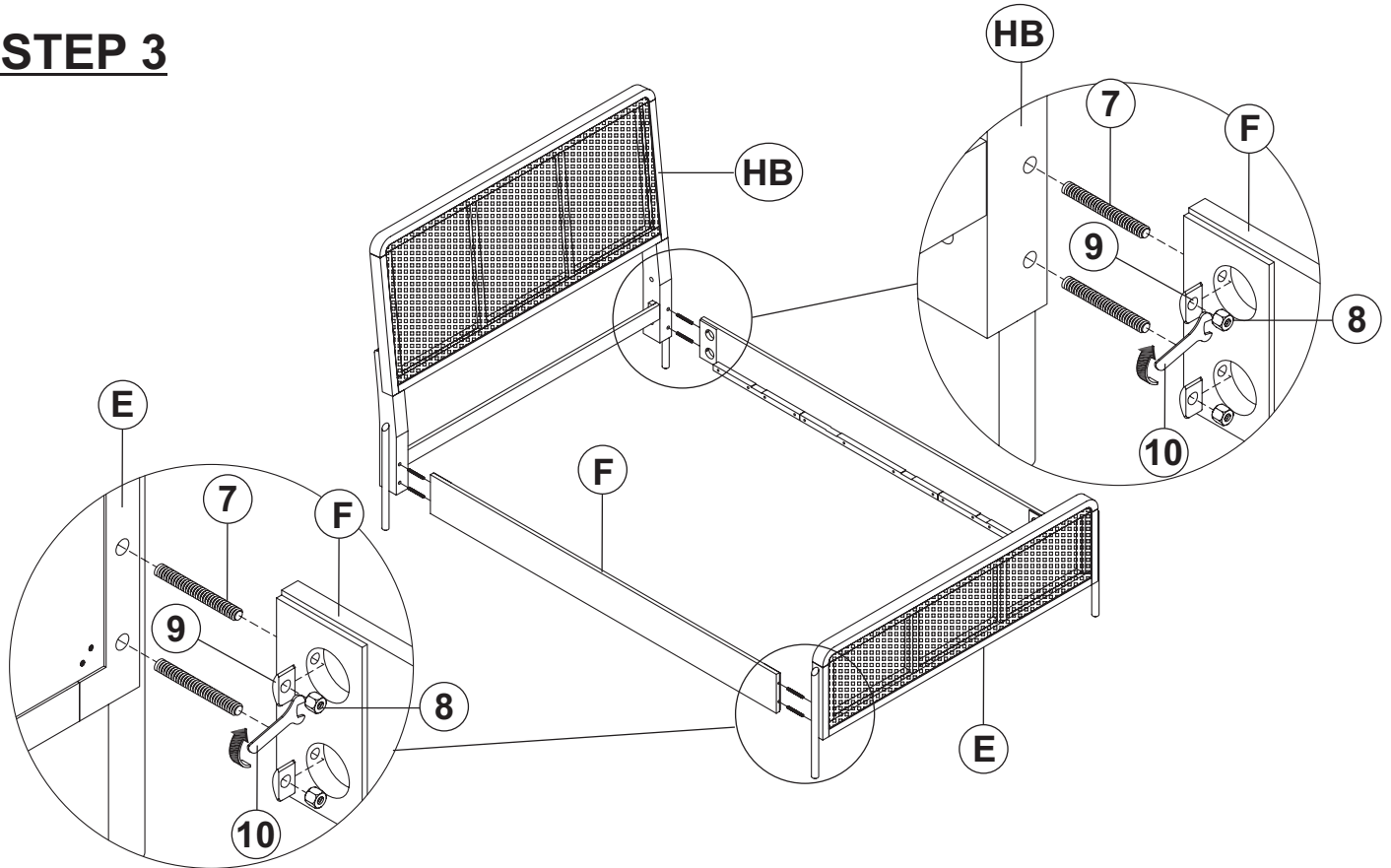


# ITEM: 224330Q (B1-B3)

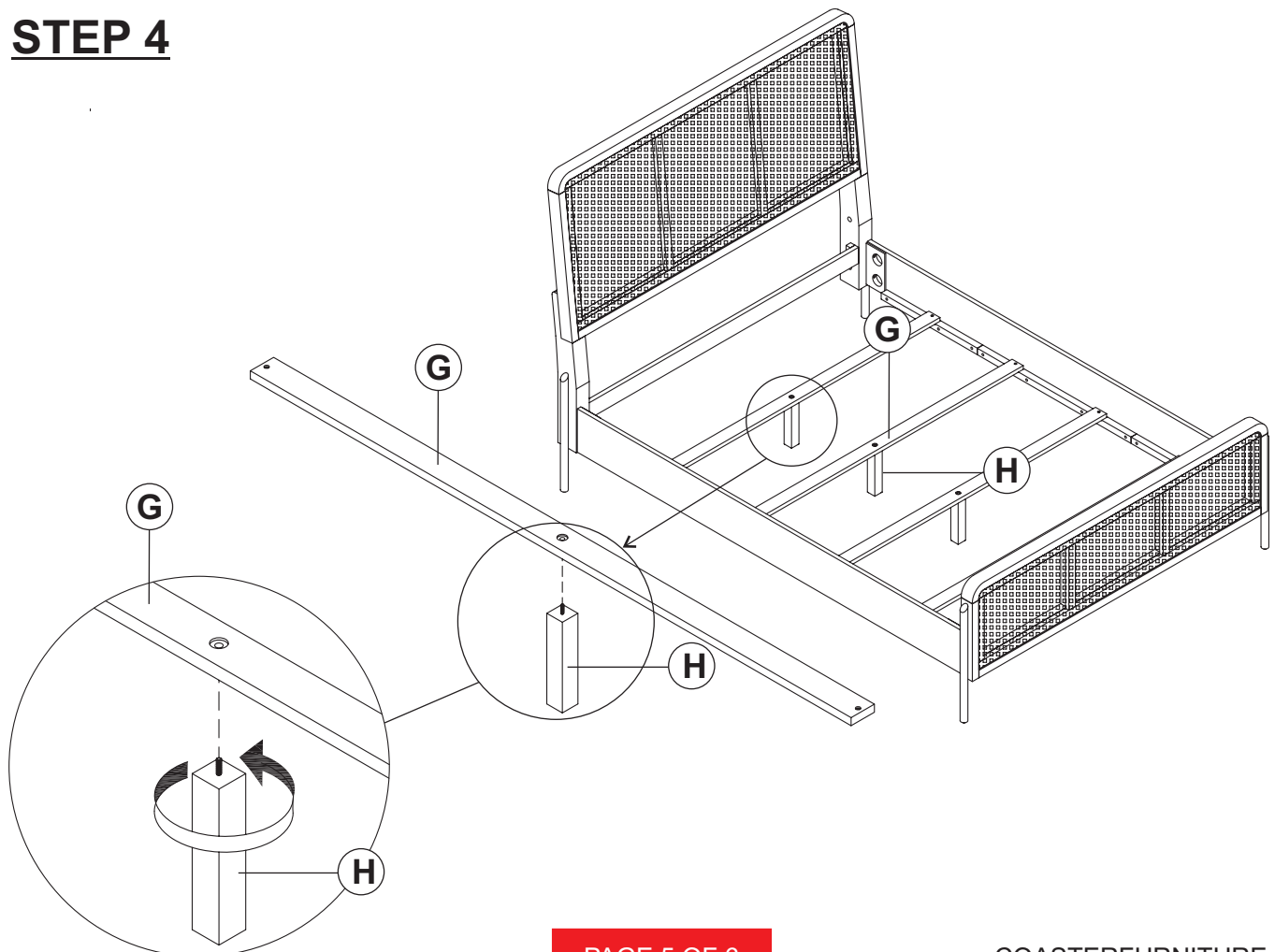
## ASSEMBLY INSTRUCTIONS



### STEP 3



### STEP 4

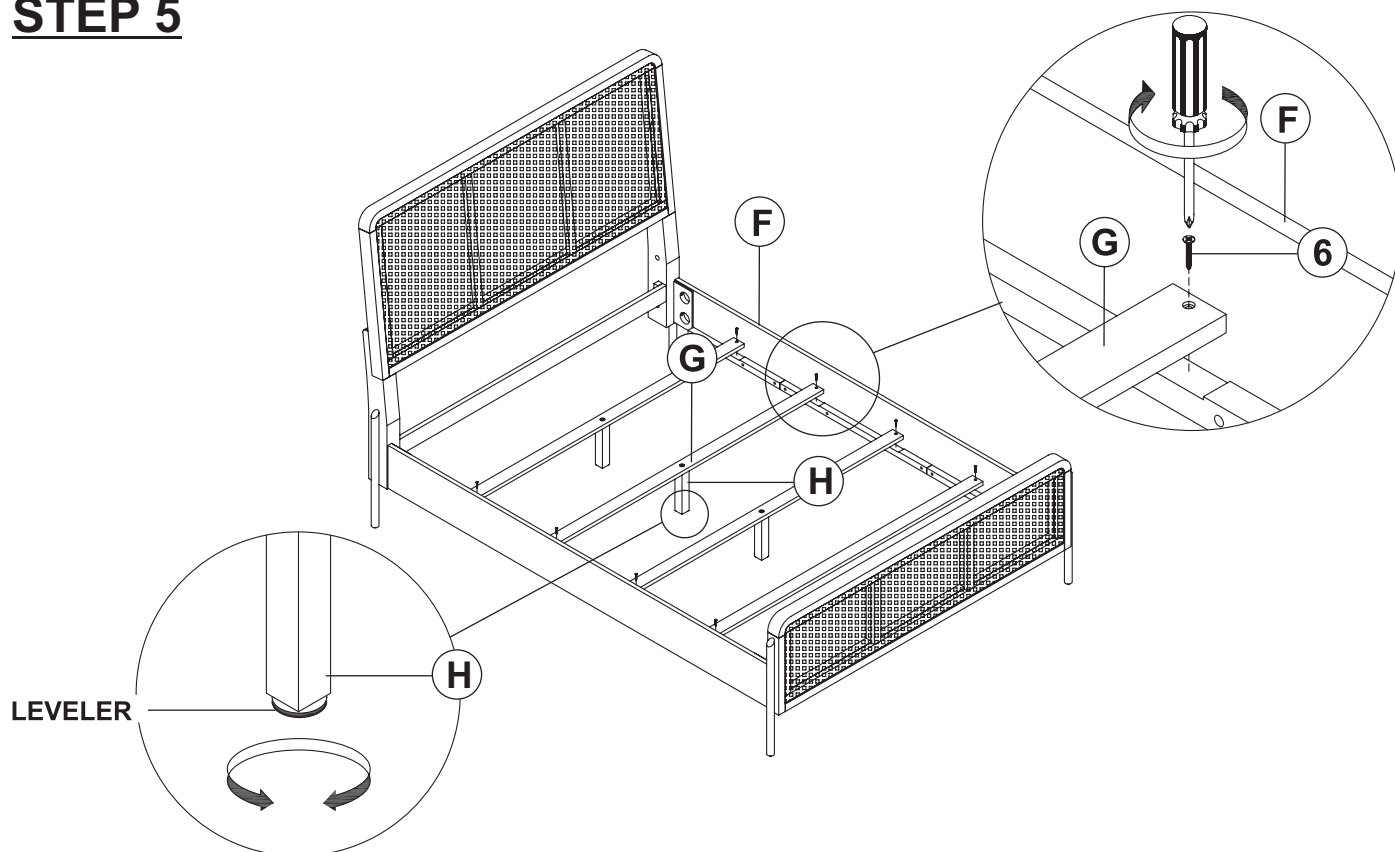


# ITEM: 224330Q (B1-B3)

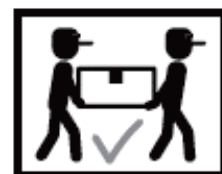
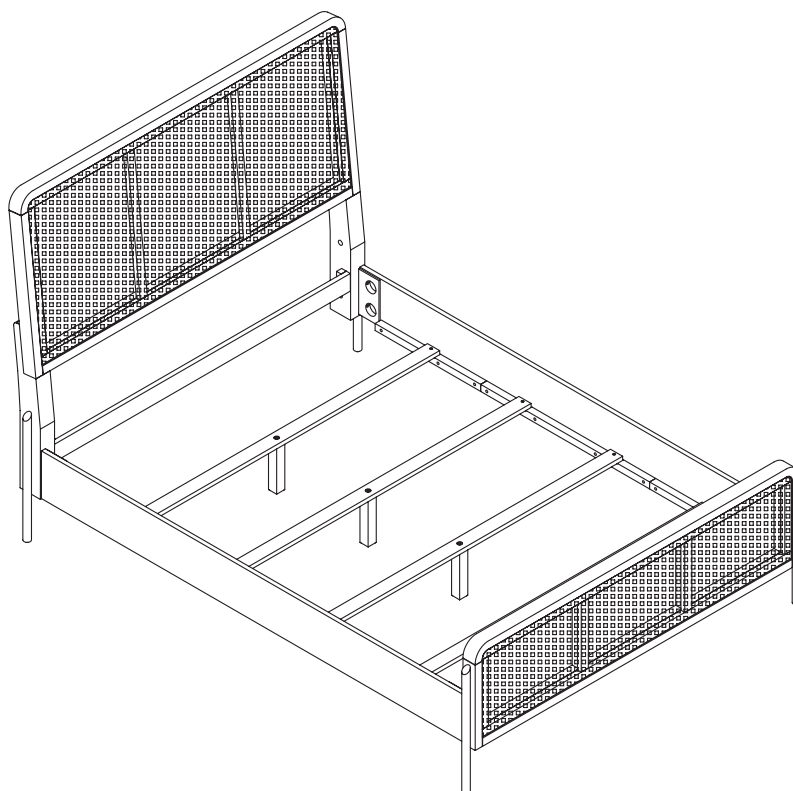
## ASSEMBLY INSTRUCTIONS



### STEP 5



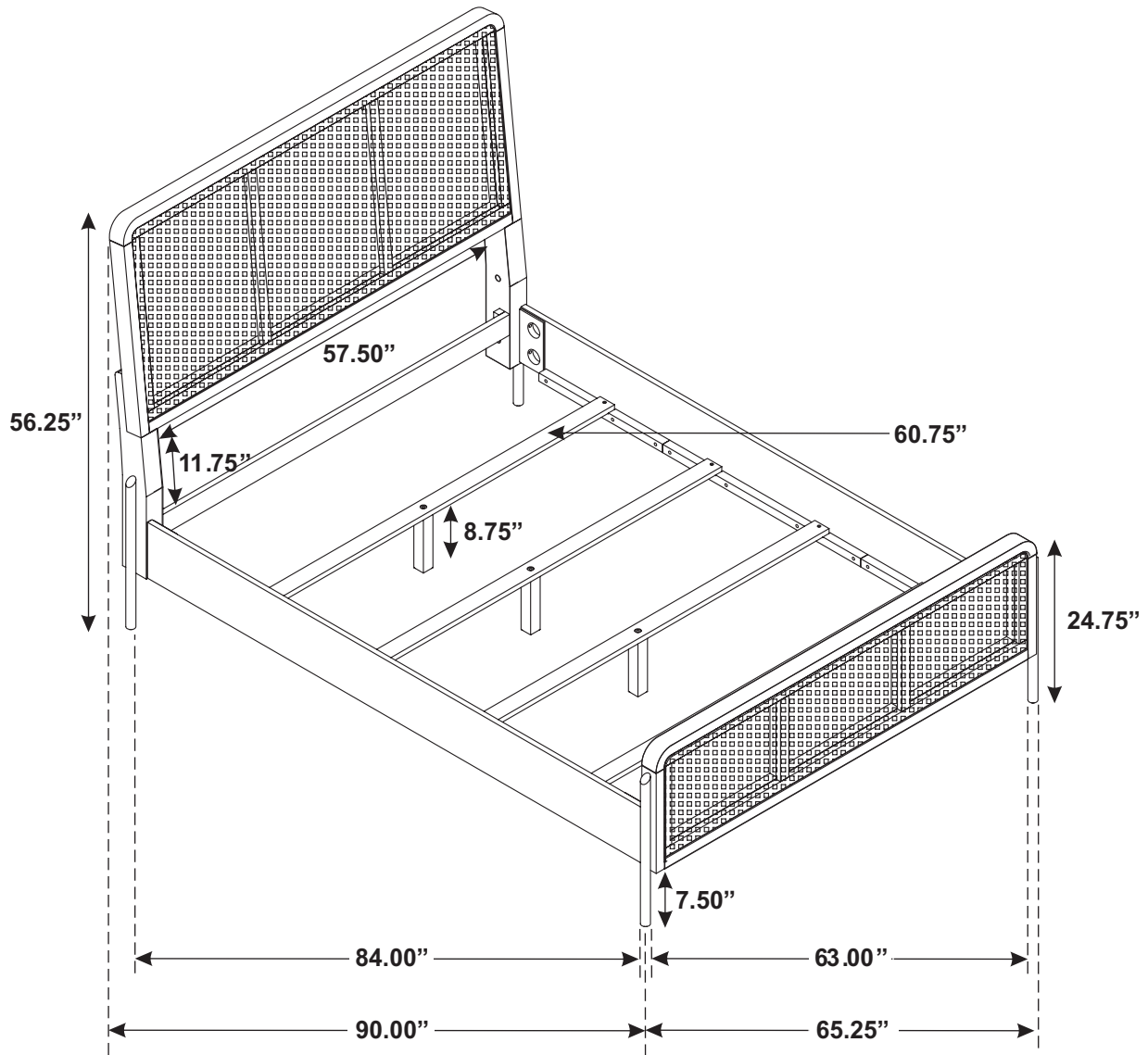
### STEP 6 COMPLETE



# ITEM: 224330Q (B1-B3)



Inner Size : 61.00"W x 82.00"D



Note: Dimension tolerance  $\pm 5\%$