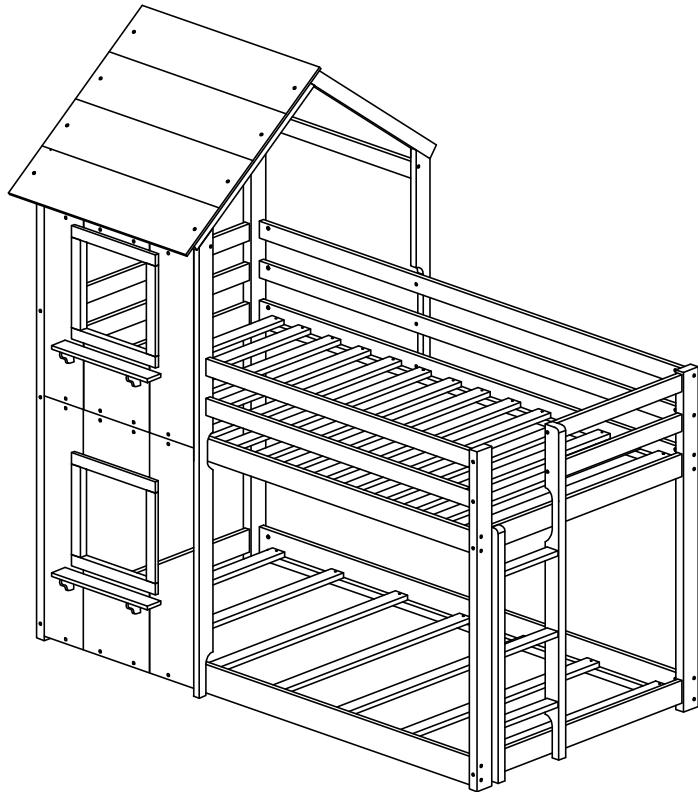


ASSEMBLY INSTRUCTIONS

Twin over Twin Bunk Bed with roof



WF286461/WF286462

! SAFETY WARNINGS !

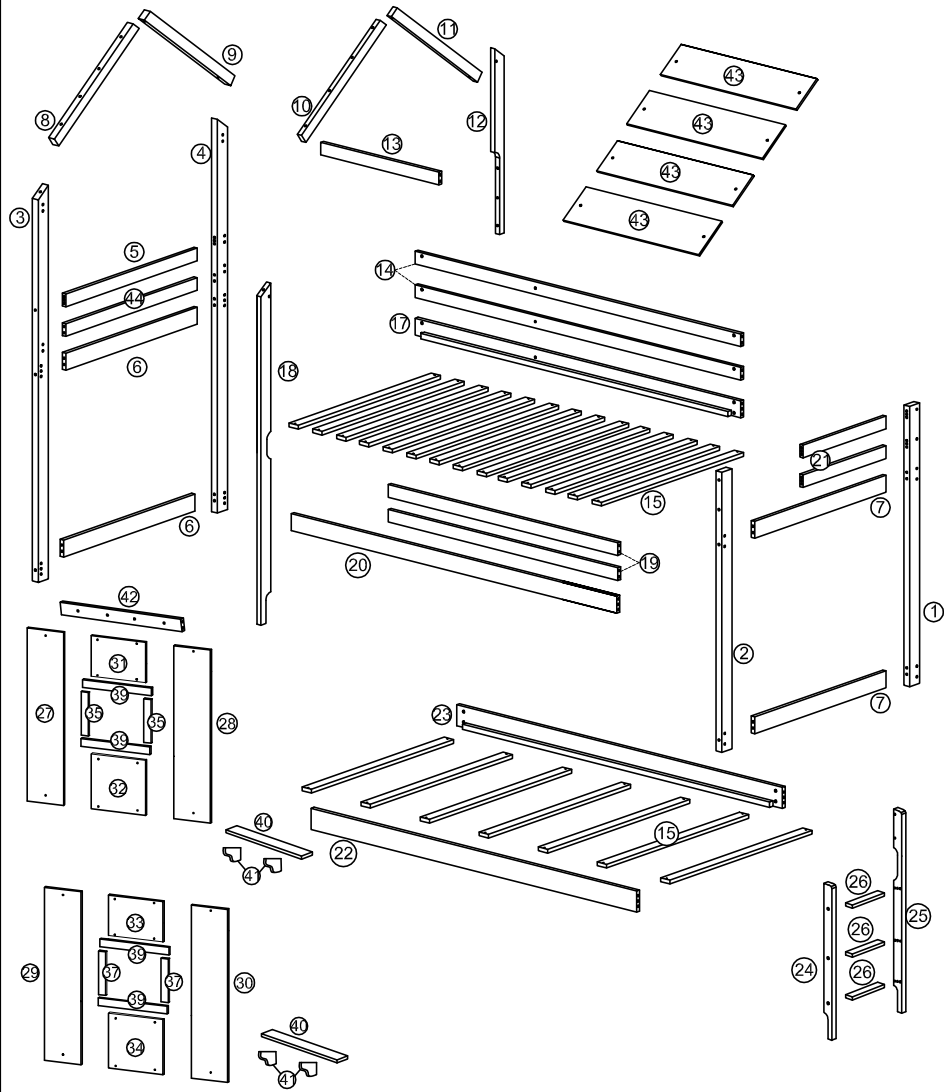
1. This bed is designed for use only mattress(es) meeting the following specifications on the upper bunk, and lower bunk:

Upper bunk(bunk bed and tribed included)

Bed type	Length	Width	Thickness
Twin Standard	74" - 75"	37 ^{1/2} " - 38 ^{1/2} "	6" max

2. Replacement parts, including additional guardrails, may be obtained from any of our (GIGACLOUD TECHNOLOGY (USA) INC.) dealers
3. Follow the information on the warnings appearing on the upper bunk bed end structure and on the carton. Do not remove warning label from bed.
4. Always use the recommended size mattresses or mattress supports, or both, to help prevent the likelihood of entrapment or falls.
5. Surface of the mattress must be at least 5 in. (127 mm) below the upper edge of guardrails.
6. Do not allow children under 6 years of age to use the upper bunk.
7. Periodically check and ensure that the guardrail, ladder, and other components are in their proper position, free from damage, and that all connectors are tight.
8. Do not allow horseplay on or under the bed and prohibit jumping on the bed
9. Always use the ladder for entering and leaving the upper bunk.
10. Do not use substitute parts. Contact the manufacturer or dealer for replacement parts.
11. Use of a night light may provided added safety precaution for a child using the upper bunk.
12. Always use guardrails on both long sides of the upper bunk. If the bunk bed will be placed next to the wall, the guardrail that runs the full length of the bed should be placed against the wall to prevent entrapment between the bed and wall.
13. The use of water or sleep flotation mattresses is prohibited.
14. STRANGULATION HAZARD – Never attach or hang items to any part of the bunk bed that are not designed for use with the bed; for axample, but not limited, hook, belts and jump ropes.
15. Keep these instructions for future reference
16. Prohilit more than one person on upper bunk .
17. We recommend assembling your bunk bed on the shipping carton to protect your floor or carpet .
18. Be caertain all staples are out of the box before beginning assembly on the shipping carton .

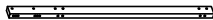
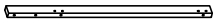
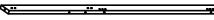



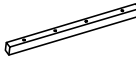

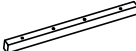






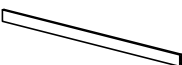
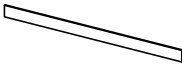
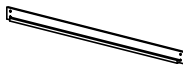



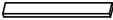
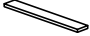
Detail View



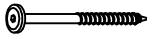



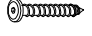

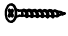





PartList: WF286462

5 	44 	13
Upper horizontal bar (upper) - 1pc	Upper horizontal bar (lower) - 1pc	Horizontal bar (back) - 1pc
42 	41 	21
Horizontal bar (front) - 1pc	Shelves - 4pcs	Upper horizontal bar - 2pcs
43 	15 	29
Top panel - 4pcs	Slat - 21pcs	Front panel lower (left) - 1pc
35 	37 	32
Decorative brace upper (L/R) - 2pcs	Decorative brace lower (L/R) - 2pcs	Front panel (lower) - 1pc
27 	28 	33
Front panel upper (left) - 1pc	Front panel upper (right) - 1pc	Front panel (upper) - 1pc
30 	31 	34
Front panel lower (right) - 1pc	Front panel (upper) - 1pc	Front panel (lower) - 1pc

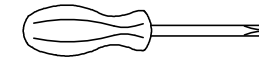
Part List: WF286461

1  FB leg back - 1pc	2  FB leg front - 1pc	3  HB leg front - 1pc
4  HB leg back - 1pc	6  Lower horizontal bar (left) - 2pcs	7  Lower horizontal bar (right) - 2pcs
8  HB Cap side (left) - 1pc	9  Cap middle (left) - 1pc	10  HB Cap side (right) - 1pc
11  Cap middle (right) - 1pc	12  Vertical middle back - 1pc	14  Long side horizontal bar - 2pcs
17  Upper side rail (back) - 1pc	18  Vertical middle front - 1pc	19  Short side horizontal bar - 2pcs
20  Lower side rail (front) - 1pc	22  Upper side rail (front) - 1pc	23  Lower side rail (back) - 1pc
24  Stairs vertical (left) - 1pc	25  Stairs vertical left - 1pc	26  Stairs bridge - 3pcs
39  Decorative brace - 4pcs	40  Upper horizontal bar - 2pcs	

Hardware List: WF286461

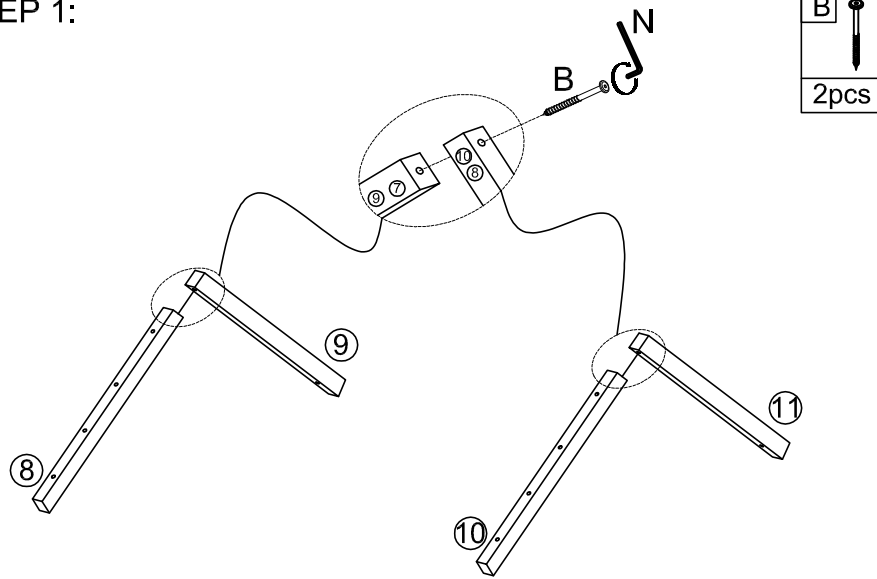
A  Ø6" x 110mm Hex-Head bolts (12pcs)	B  Ø6" x 70mm Hex-Head bolt (10pcs)	C  Ø1/4" x 80mm Hex-Head bolts (20pcs)
E  Ø6" x 35mm Hex-Head screw (17pcs)	F  Ø6" x 25mm Hex-Head screw (24pcs)	G  #4 x 30mm Screw (42)
H  Ø4 x 20mm Screw (24pcs)	I  Ø10 x 30mm Wood dowel (56pcs)	K  Ø1/4" Horizontal-Hole bolt (20pcs)
L  Ø6" x 50mm Hex-Head bolts (16pcs)	M  Ø8 x 15mm Wood dowel (8pcs)	N  K4mm Allen key (1pc)

ASSEMBLY TOOLS REQUIRED (NOT INCLUDED)



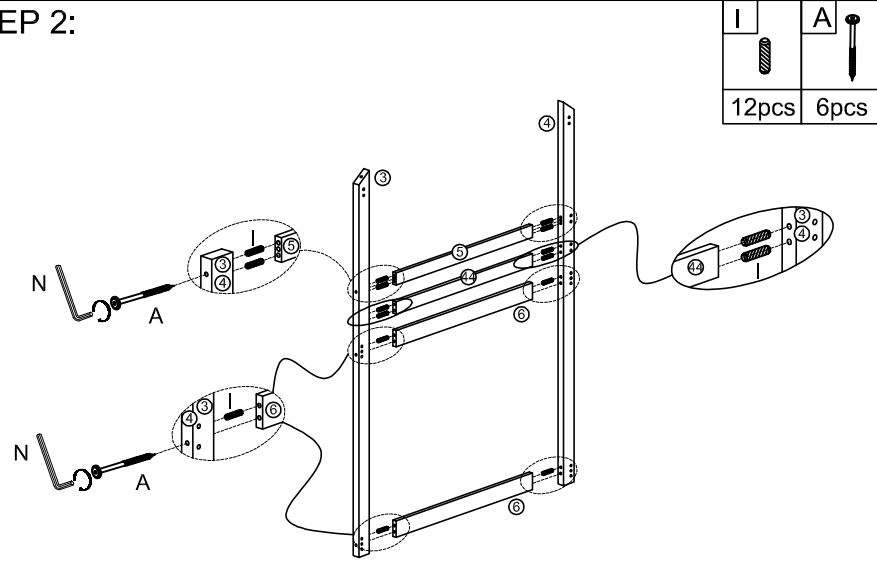
PLEASE BE CAREFUL DO NOT DAMAGE THE HOLE POSITION WHEN YOU USE POWER TOOLS !

STEP 1:



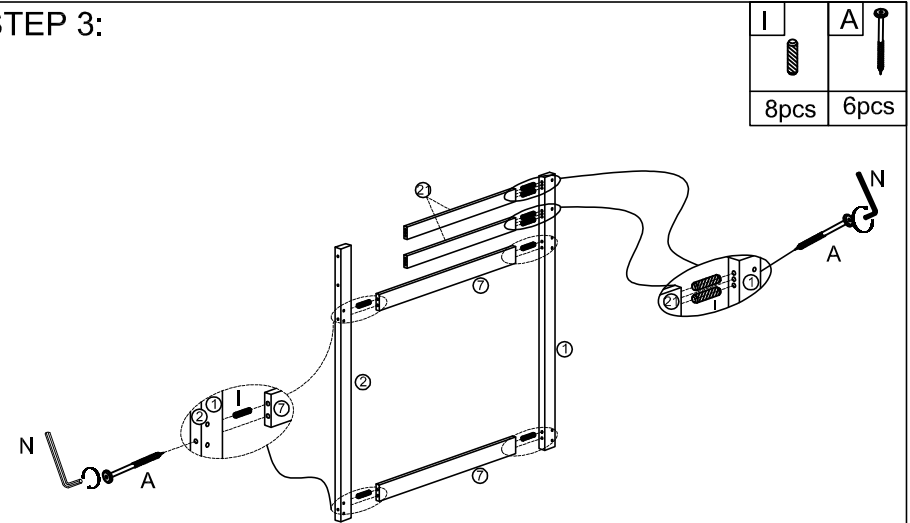
B	
2pcs	

STEP 2:



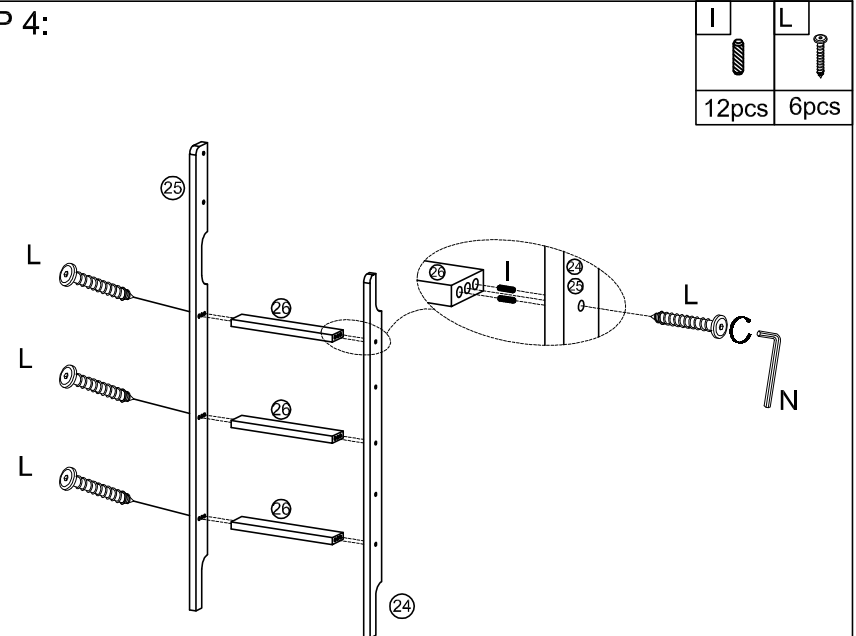
I	A
12pcs	6pcs

STEP 3:





I	A
8pcs	6pcs

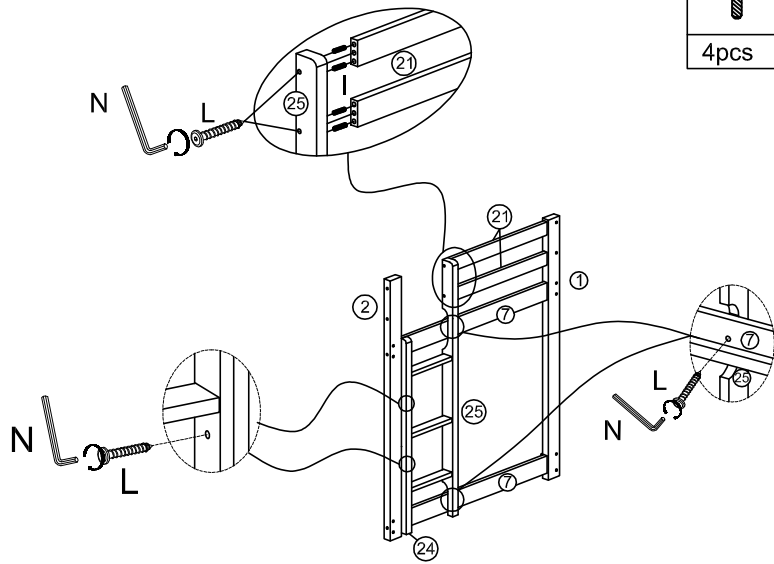
STEP 4:



I	L
12pcs	6pcs

STEP 5:

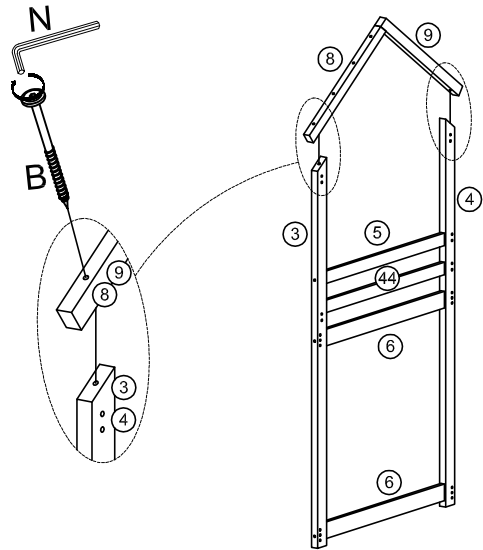
I	L
	
4pcs	6pcs






STEP 6:

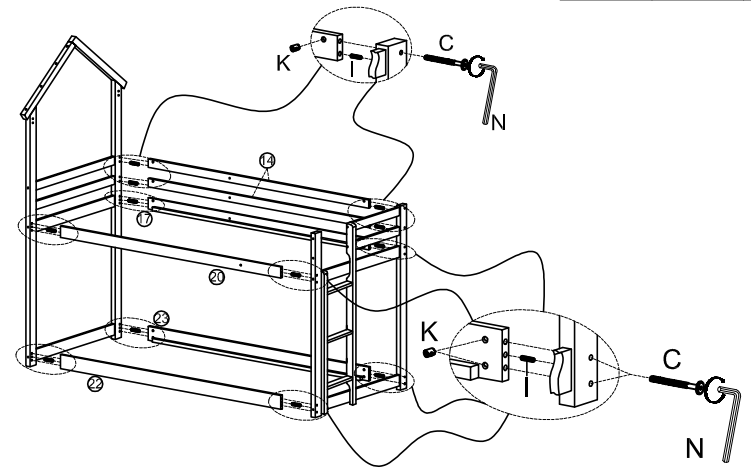
B

2pcs







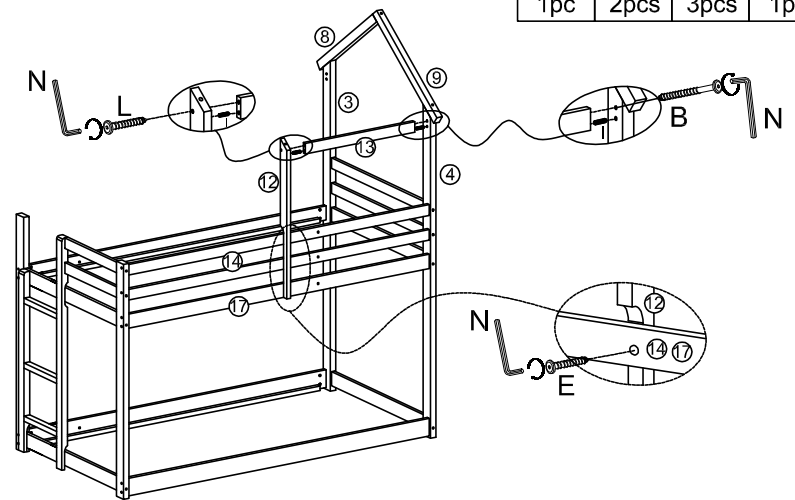
STEP 7:

I	C	K
		
12pcs	20pcs	20pcs




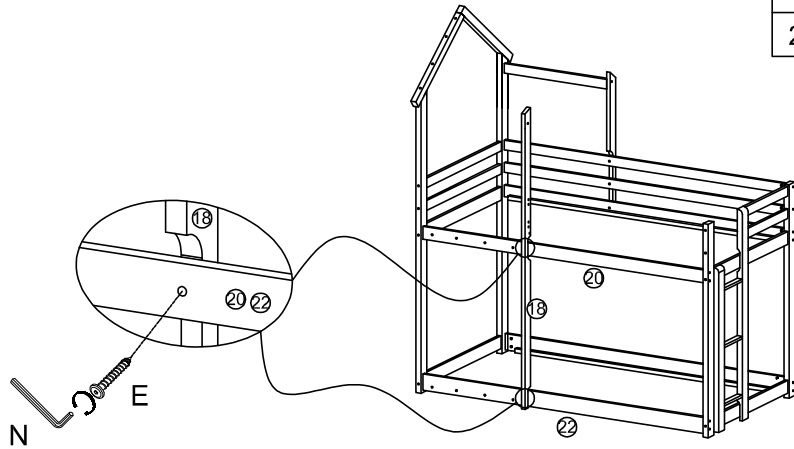
STEP 8:

L	I	E	B
			
1pc	2pcs	3pcs	1pc




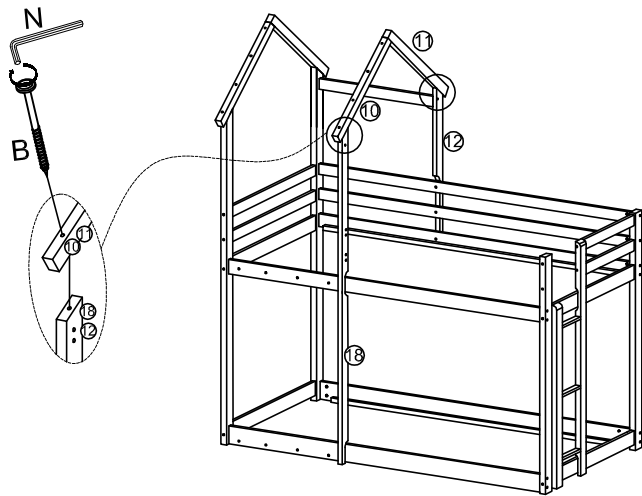
STEP 9:

E

2PCS






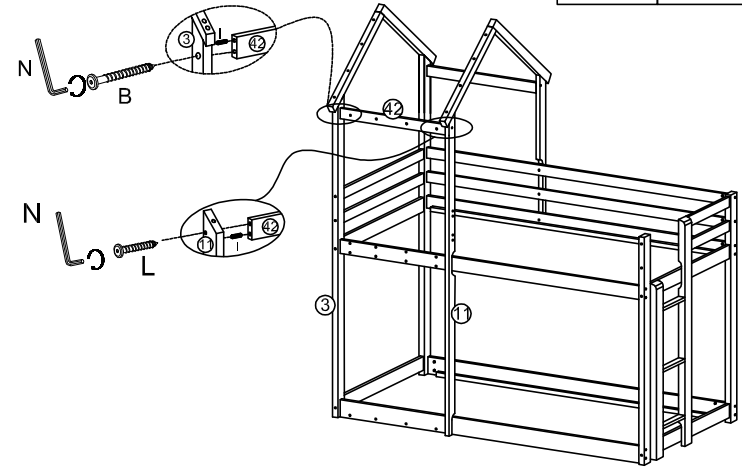
STEP 10:

B

2PCS




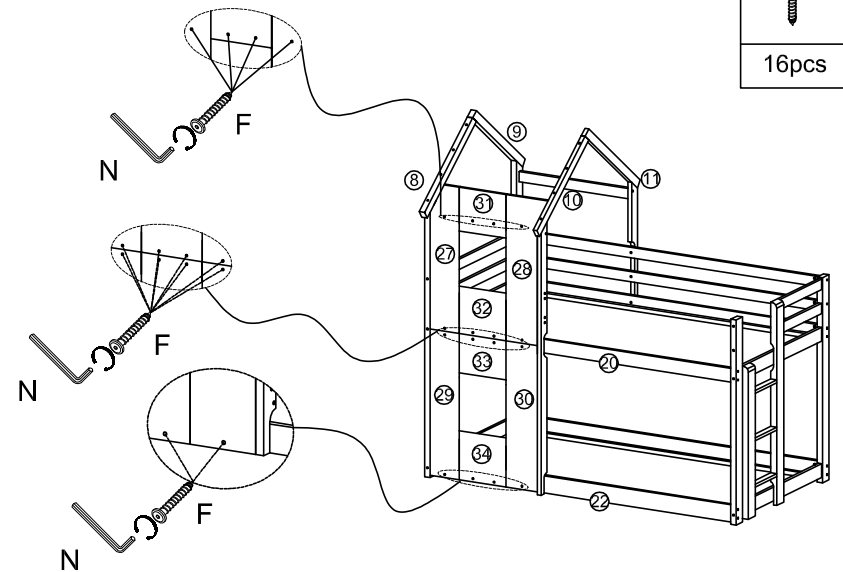
STEP 11:

L	I	B
		
1PC	2PCS	1PC



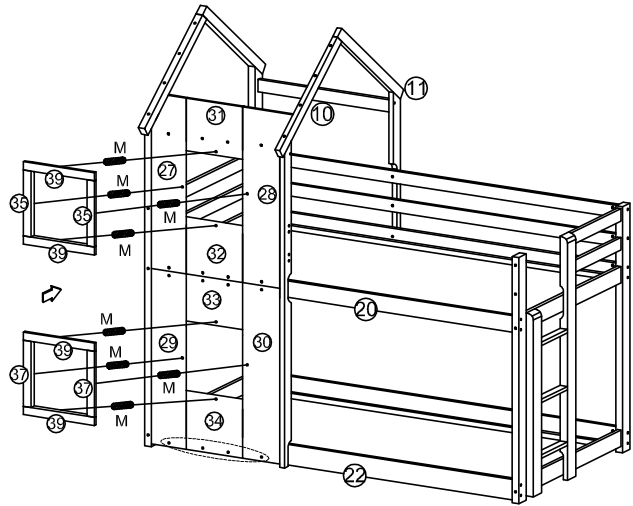
STEP 12:

F

16pcs



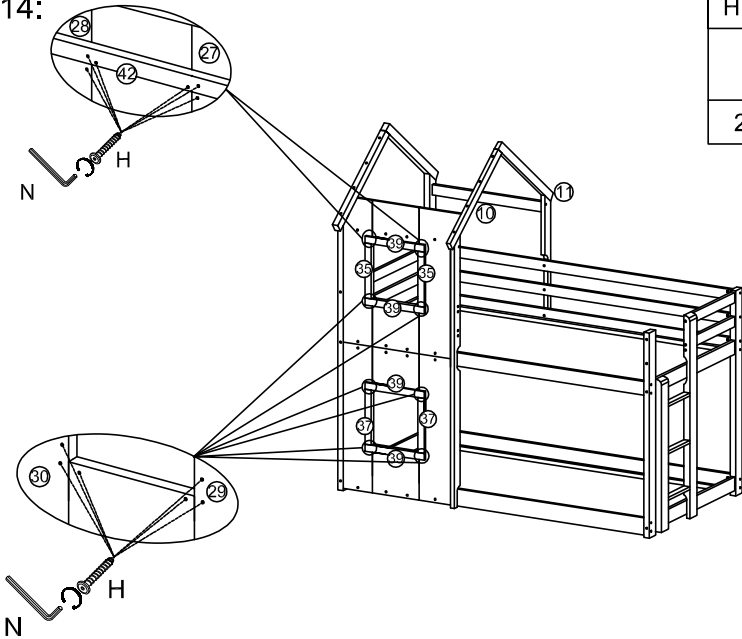
STEP 13:

M
8pcs



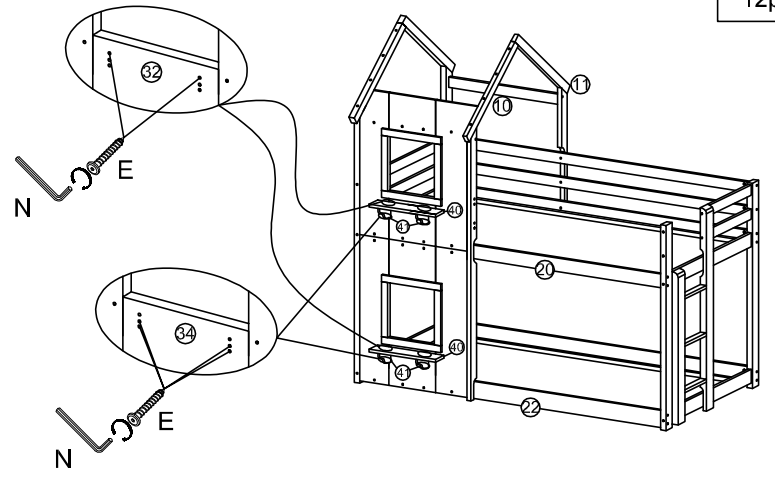
STEP 14:

H
24pcs



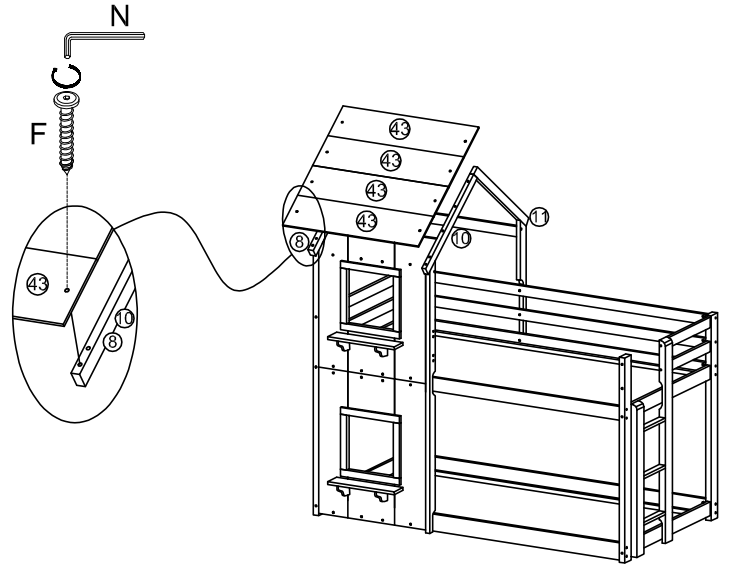
STEP 15:

E
12pcs






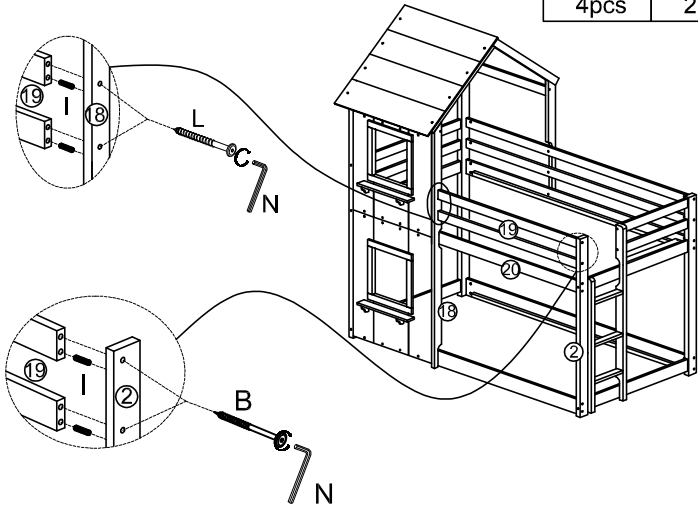
STEP 16:

F
8pcs




STEP 17:

I	B	L
		
4pcs	2pcs	2pcs

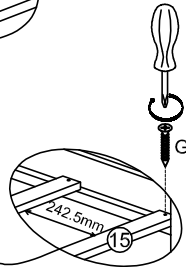
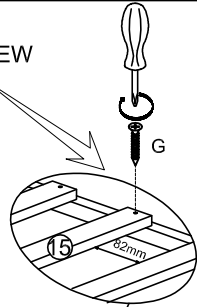


STEP 18:

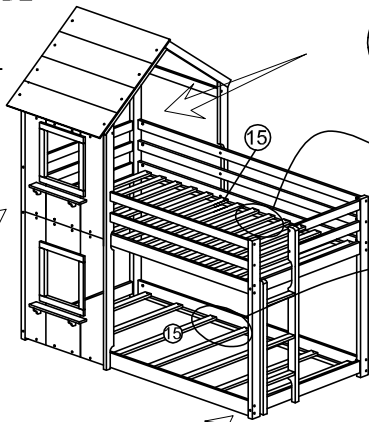
G

42pcs

STEP 1: PULL SIDE RAIL CLOSE TOGETHER ENOUGH TO FIT THE SLATS

STEP 2: SCREW ALL SLATS



STEP 3: TIGHTEN 100% ALL HEXAGON BOLTS



COMPLETED

