

ASSEMBLY INSTRUCTIONS

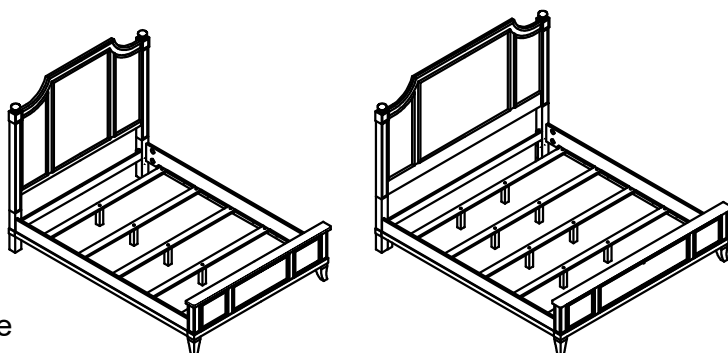
483-314

483-317/483-318

TOOLS REQUIRED:

Allen Wrench (supplied, part #D)

Screwdriver(not supplied)



BEFORE YOU START:

1. Check the parts against the parts list to make sure all items are present.
2. Assemble your furniture on a soft, flat surface to avoid scratching the finish.
3. CAUTION: Do not over tighten screws, nuts or bolts during assembly.
4. Your furniture may require occasional tightening.

INSTRUCTIONS:

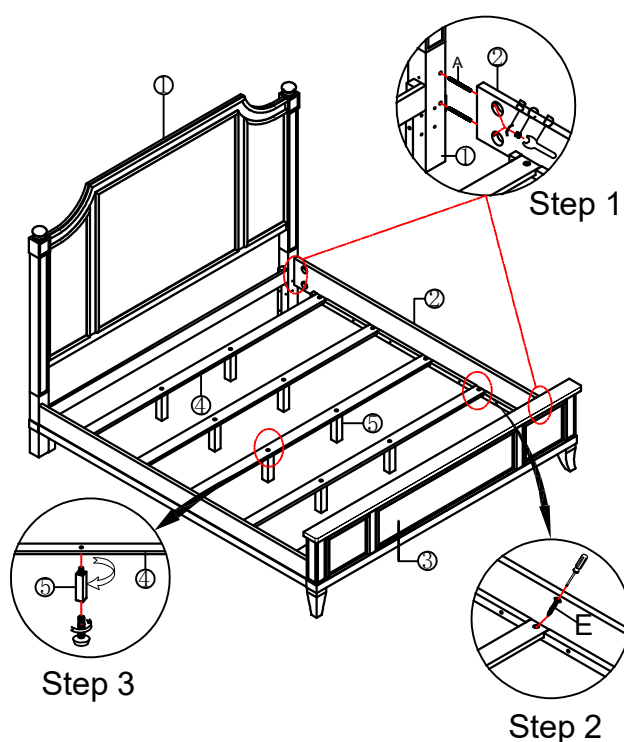
1. Attach two side rails ② to headboard ① by using Bolt (A), Curve washer (B), Nut (C) and tighten with Wrench(D). As shown on Figure 1 (Step 1).

2. Attach two side rails ② to footboard ③ by using Bolt (A), Curved washer (B), Nut (C) and tighten with Wrench(D). As shown on Figure 1 (Step 1).

3. Put slats ④ onto side rails ②, fix it with Screw (E). As shown on Figure 1 (Step 2).

4. Attach middle legs ⑤ to each slats by turning it. Adjust the leveler on middle legs if necessary. As shown on Figure 1 (Step 3).

Figure 1



HARDWARE LIST				
NO	DRAWING	DESCRIPTION	SIZE	Q'ty
A		Bolt	Ø5/16"x4"	8pcs
B		Curved washer	Ø5/16"	8pcs
C		Nut	Ø5/16"	8pcs
D		Wrench	Ø5/16"	1pc
E		Screw	1 1/4"	10pcs

ASSEMBLY INSTRUCTIONS

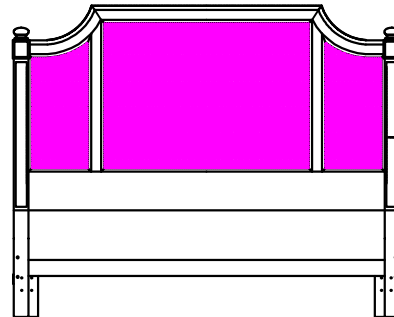
483-313/483-316

TOOLS REQUIRED:

Allen Wrench (supplied, part #D)

BEFORE YOU START:

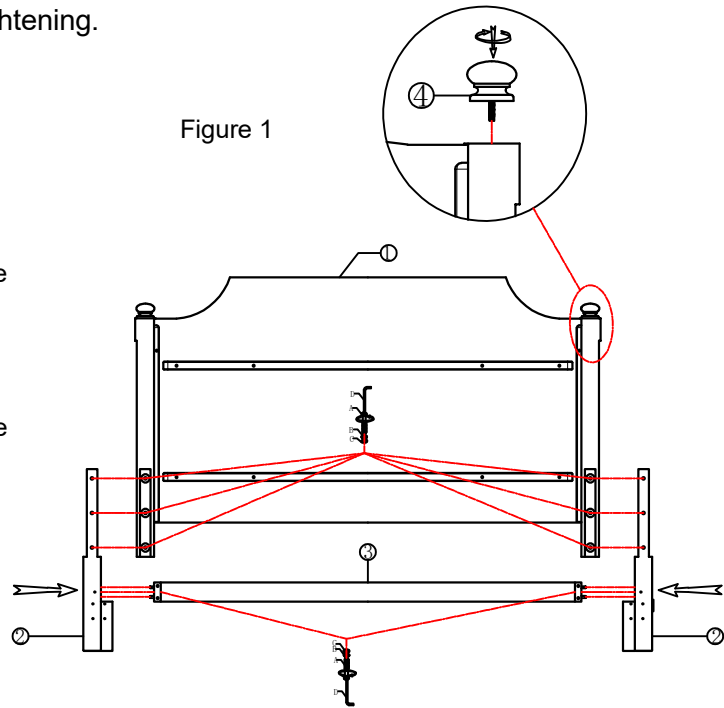
1. Check the parts against the parts list to make sure all items are present.
2. Assemble your furniture on a soft, flat surface to avoid scratching the finish.
3. CAUTION: Do not over tighten screws, nuts or bolts during assembly.
4. Your furniture may require occasional tightening.







INSTRUCTIONS:

1. Attach one post to headboard panel ① using Bolt (A), Lock washer (B), Flat washer (C) and tighten with Allen Wrench (D). As shown on Figure 1.
2. Attach the bottom rail ③ to side post ② using Bolt (A), Lock washer (B), Flat washer (C) and tighten with Allen Wrench (D). As shown on Figure 1.
3. Repeat 1 & 2 steps to attach the other post.
4. Attach the finials ④ to headboard post by turning it. As shown on Figure 1.

Figure 1



NO	DRAWING	DESCRIPTION	SIZE	Q'ty
A		Bolt	Ø5/16"x2"	8pcs
B		Lock washer	Ø5/16"	8pcs
C		Flat washer	Ø5/16"x3/4"	8pcs
D		Allen Wrench	100x50x4mm	1pc

ASSEMBLY INSTRUCTIONS

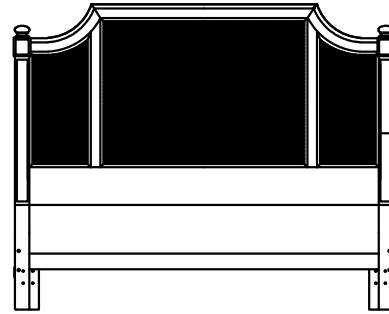
483-313/483-316

TOOLS REQUIRED:

Allen Wrench (supplied, part #D)

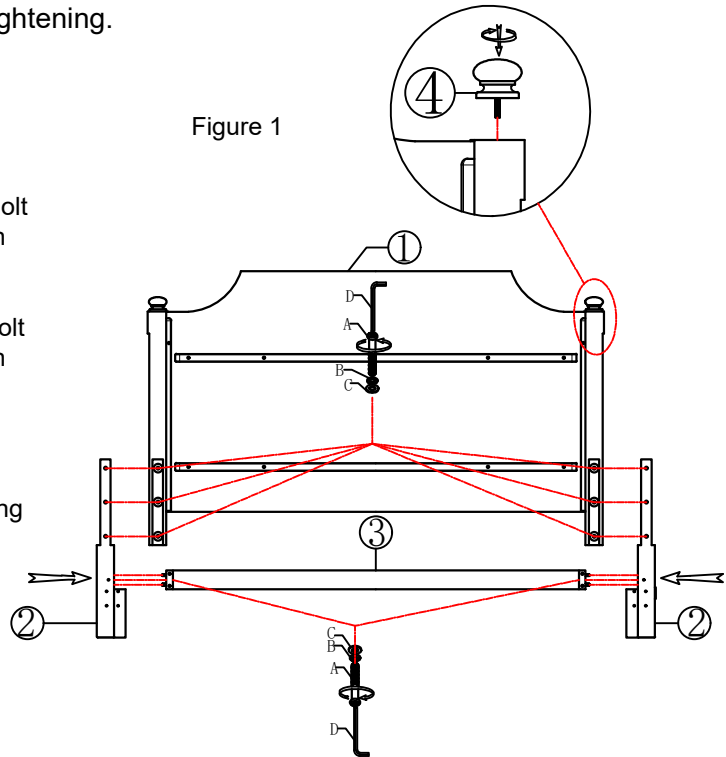
BEFORE YOU START:





1. Check the parts against the parts list to make sure all items are present.
2. Assemble your furniture on a soft, flat surface to avoid scratching the finish.
3. CAUTION: Do not over tighten screws, nuts or bolts during assembly.
4. Your furniture may require occasional tightening.



INSTRUCTIONS:

1. Attach one post to headboard panel ① using Bolt (A), Lock washer (B), Flat washer (C) and tighten with Allen Wrench (D). As shown on Figure 1 .
2. Attach the bottom rail ③ to side post ② using Bolt (A), Lock washer (B), Flat washer (C) and tighten with Allen Wrench (D). As shown on Figure 1 .
3. Repeat 1 & 2 steps to attach the other post.
4. Attach the finials ④ to headboard post by turning it. As shown on Figure 1 .



NO	DRAWING	DESCRIPTION	SIZE	Q'ty
A		Bolt	Ø5/16"x2"	8pcs
B		Lock washer	Ø5/16"	8pcs
C		Flat washer	Ø5/16"x3/4"	8pcs
D		Allen Wrench	100x50x4mm	1pc