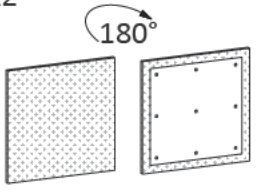
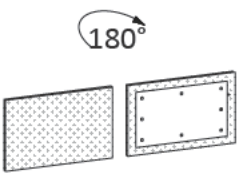
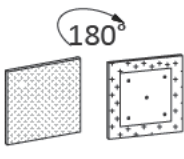
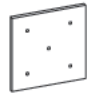
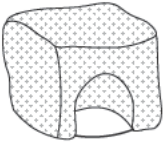








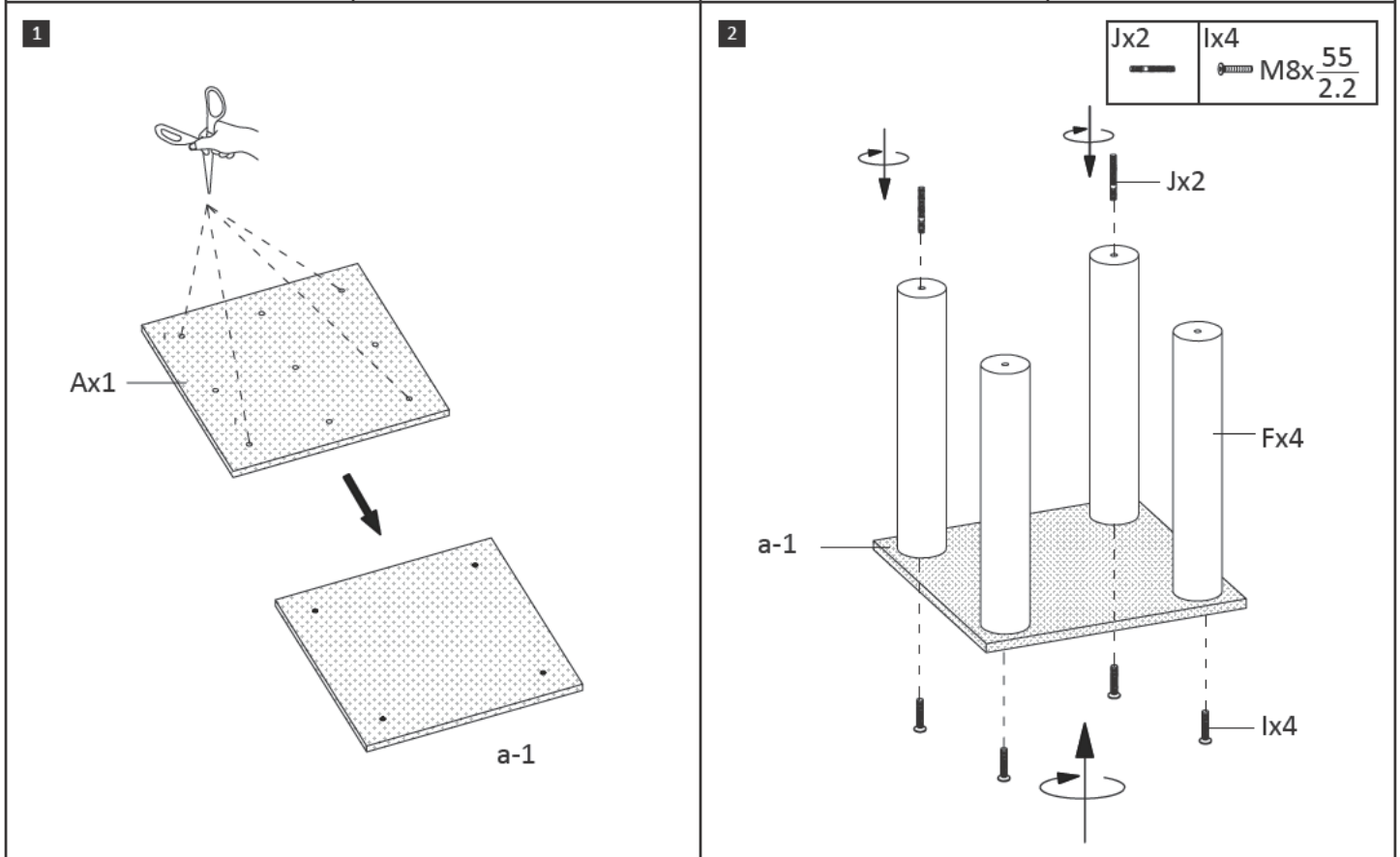
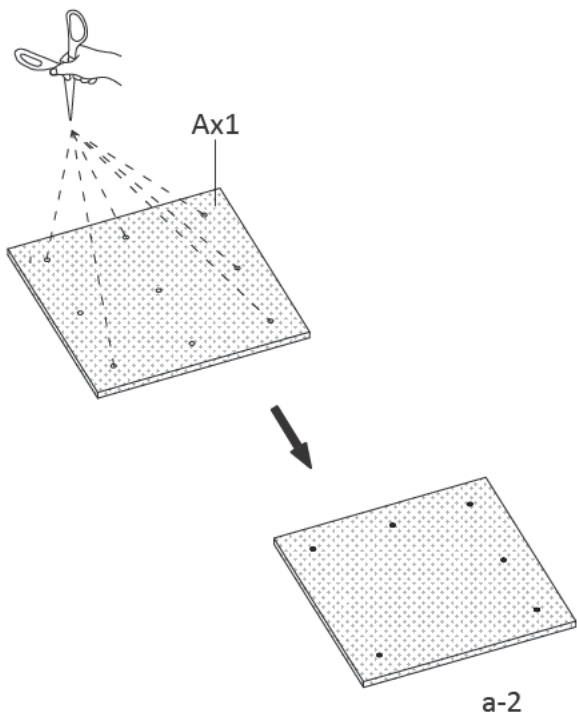


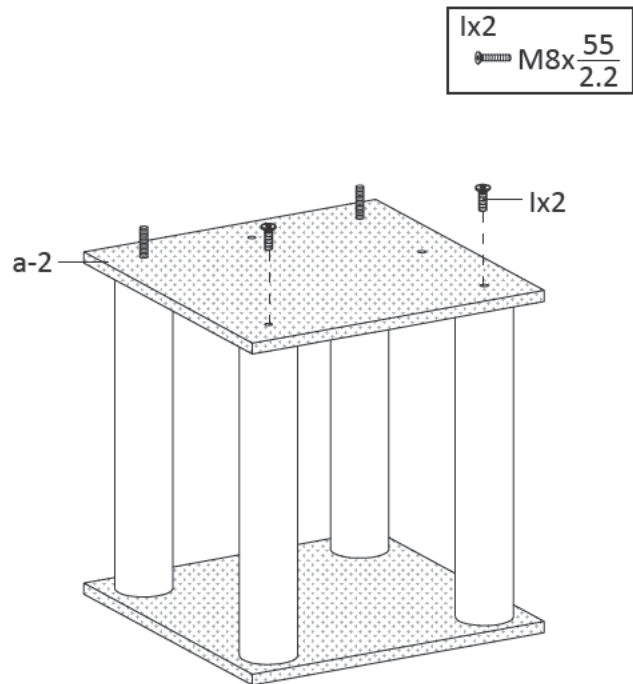
| | | | |
|--|---|---|---|
| <p>Ax2</p>  <p>$\frac{346 \times 346}{13.6 \times 13.6}$</p> | <p>Bx1</p>  <p>$\frac{346 \times 218}{13.6 \times 8.6}$</p> | <p>Cx2</p>  <p>$\frac{218 \times 218}{8.6 \times 8.6}$</p> | <p>Dx1</p>  <p>$\frac{218 \times 218}{8.6 \times 8.6}$</p> |
| <p>Ex1</p>  | <p>Fx4</p>  <p>$\frac{346}{13.6}$</p> | <p>Gx4</p>  <p>$\frac{218}{8.6}$</p> | <p>Hx3</p>  <p>$\frac{191}{7.5}$</p> |
| <p>Ix12</p>  <p>M8x $\frac{55}{2.2}$</p> | <p>Jx5</p>  | <p>Kx1</p>  |   <p>mm inch x1</p> |



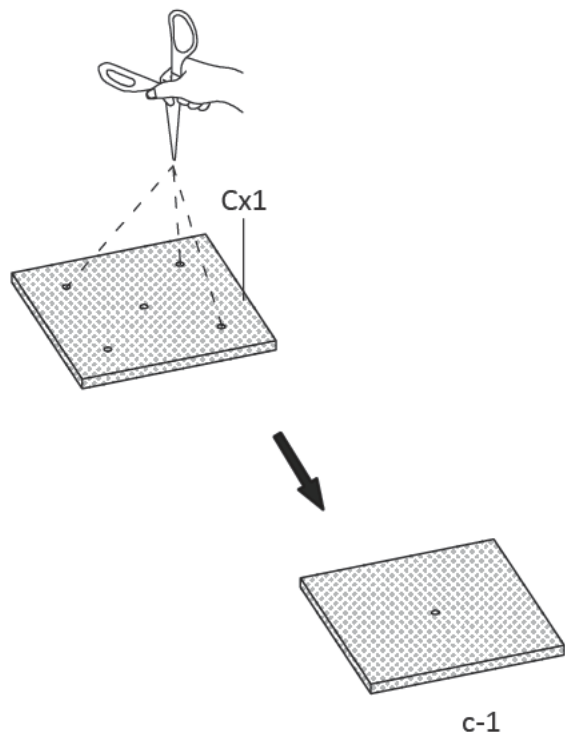
3



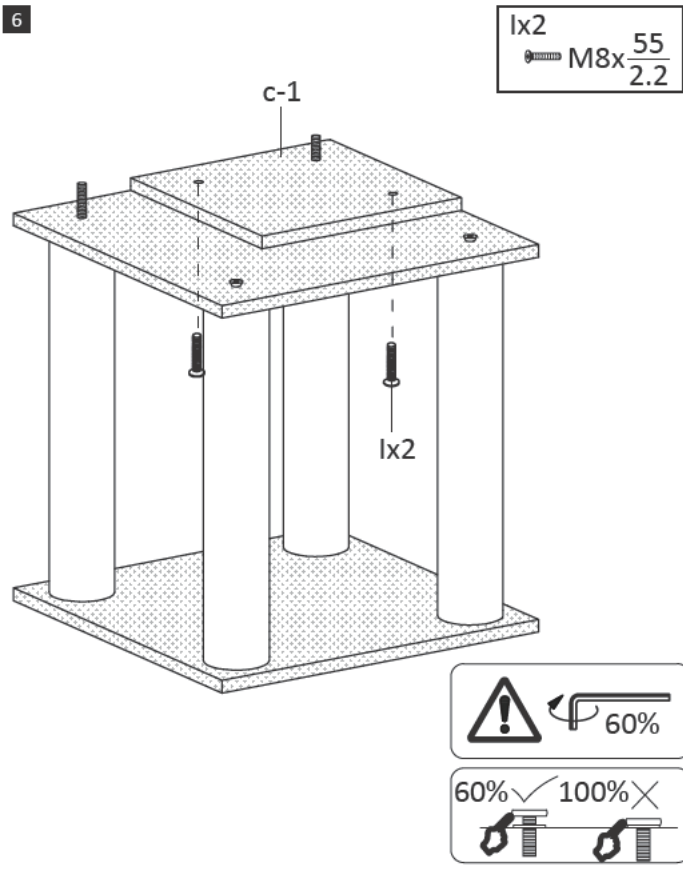
4



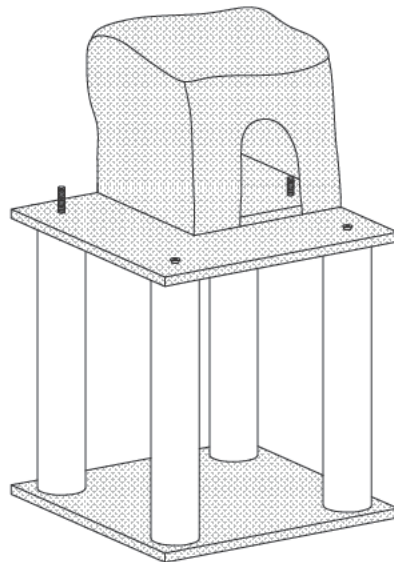
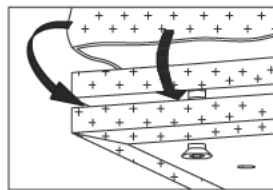
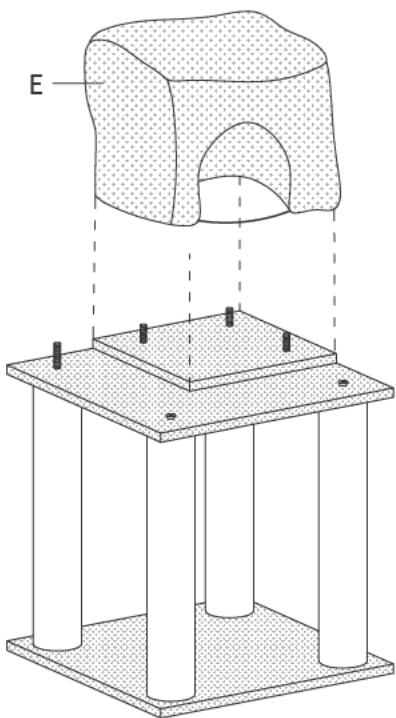
5



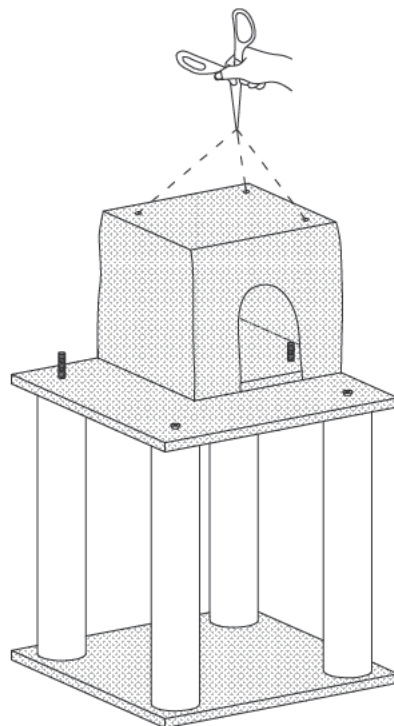
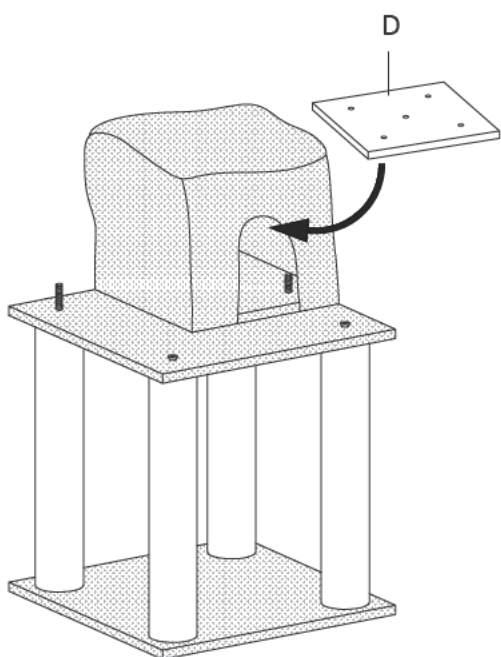
6



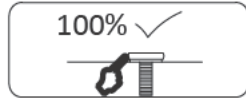
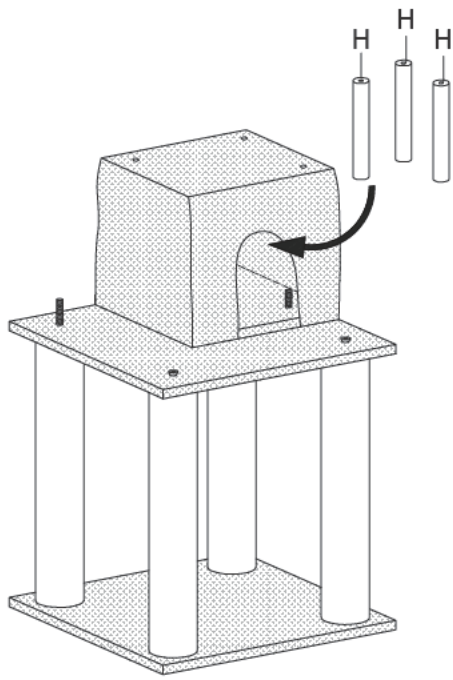
7



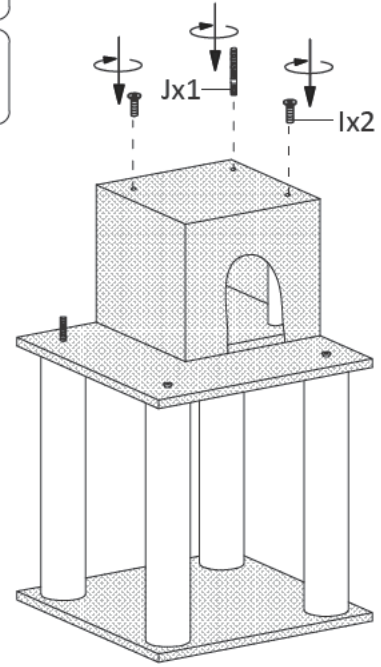
8



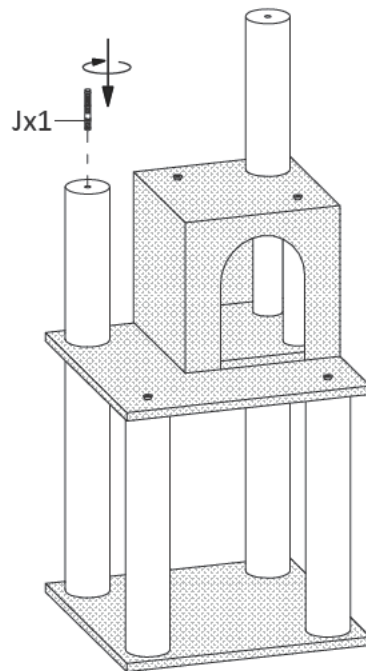
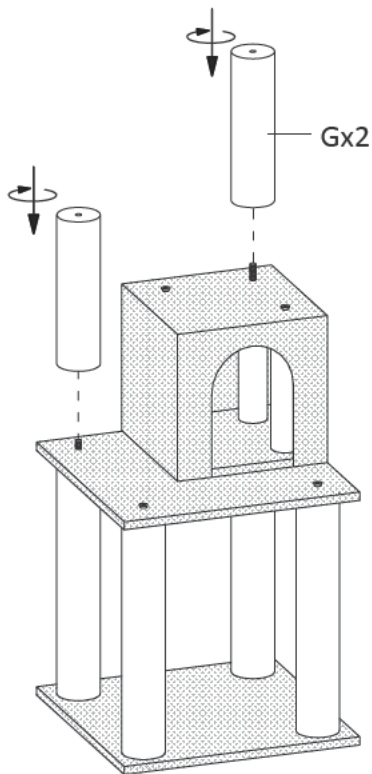
9



| | |
|-----|----------------------|
| Jx1 | lx2 |
| — | M8x $\frac{55}{2.2}$ |

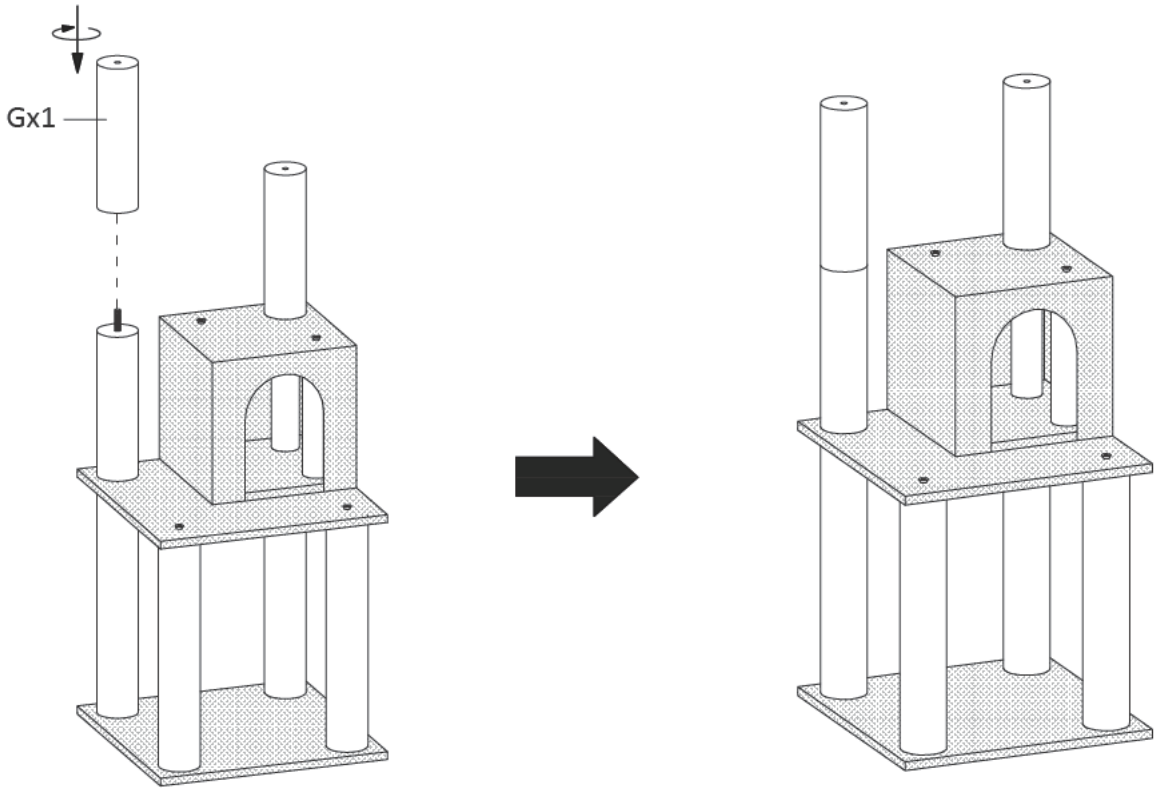


10

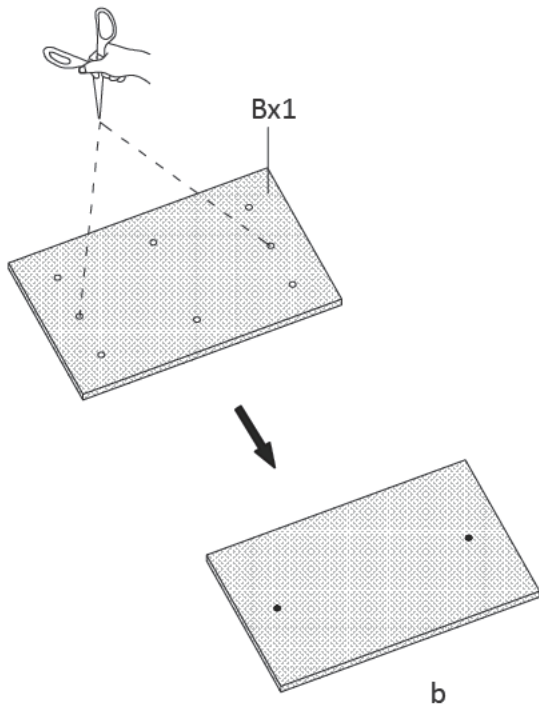


| |
|-----|
| Jx1 |
| — |

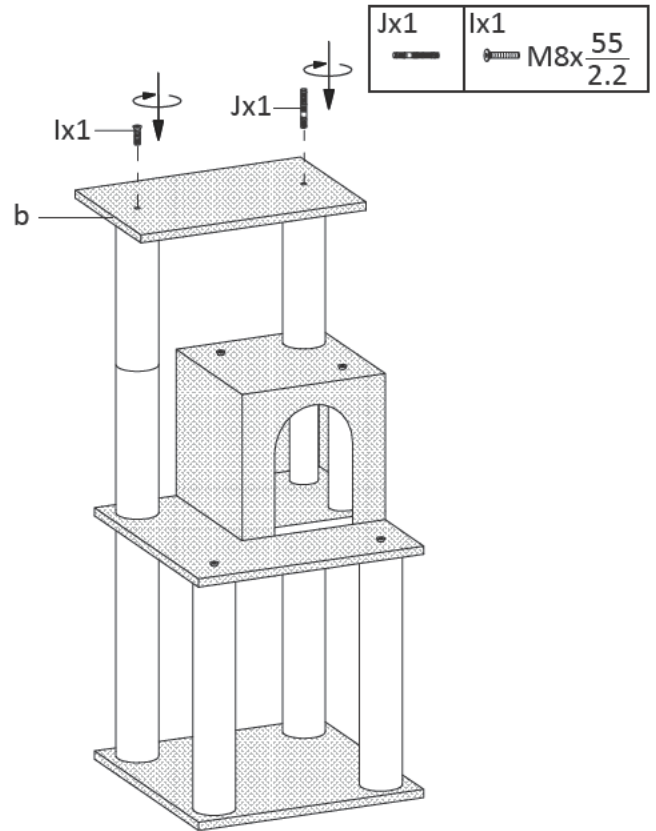
11



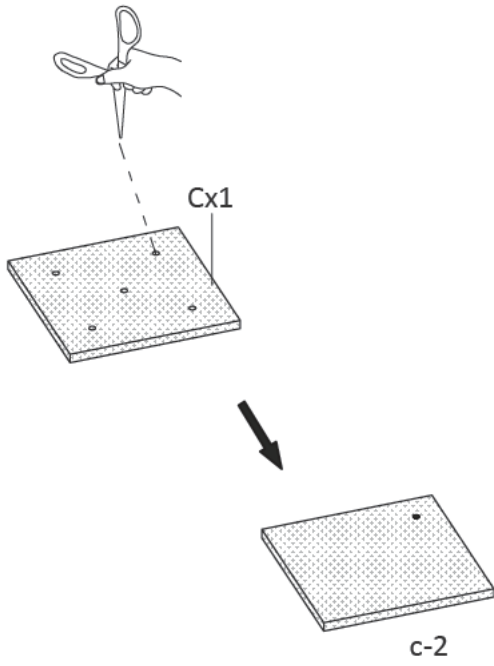
12



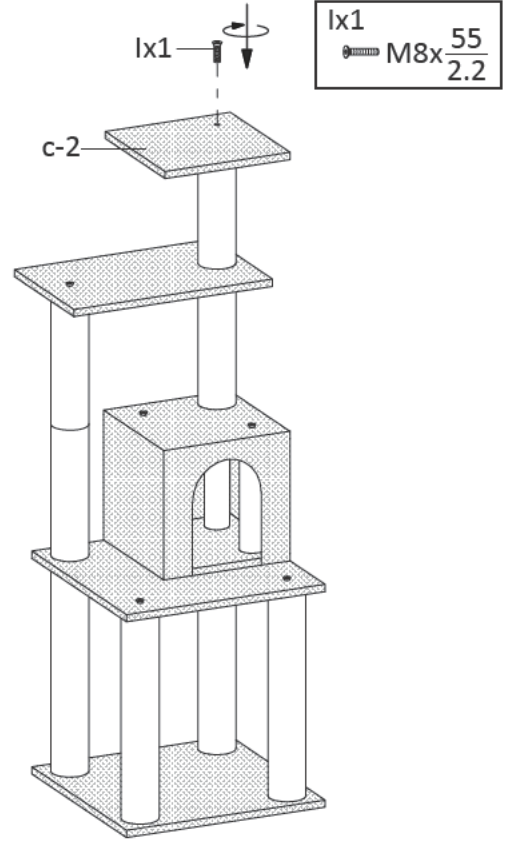
13



14



15



16

