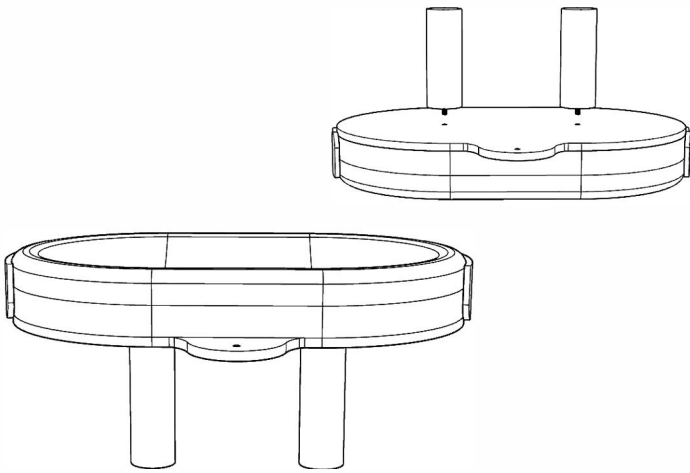
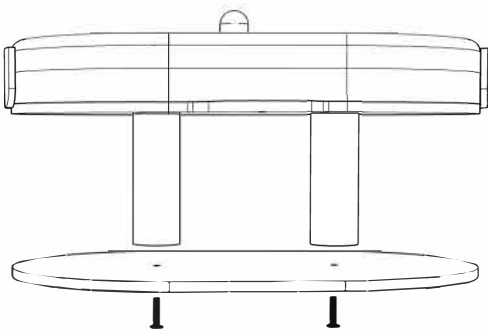


# Chicken Cat Climber (Upgraded)



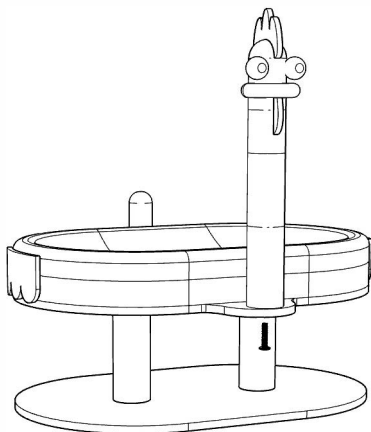
## Step1

Attach C to B's bottom.



## Step2

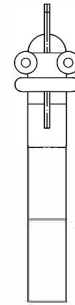
Secure D to 2 Cs with 2 Es.



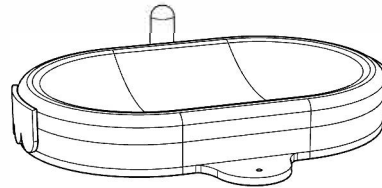
## Step3

Fasten A to B with 1 E. Done.

## Parts



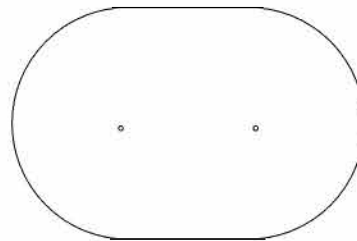
Post 1 (A)  
x 1PC



Cat bed (B)  
x 1PC



Post 2 (C)  
x 2PC



Base plate (D)  
x 1PC



Hex screws (E)  
x 3PC