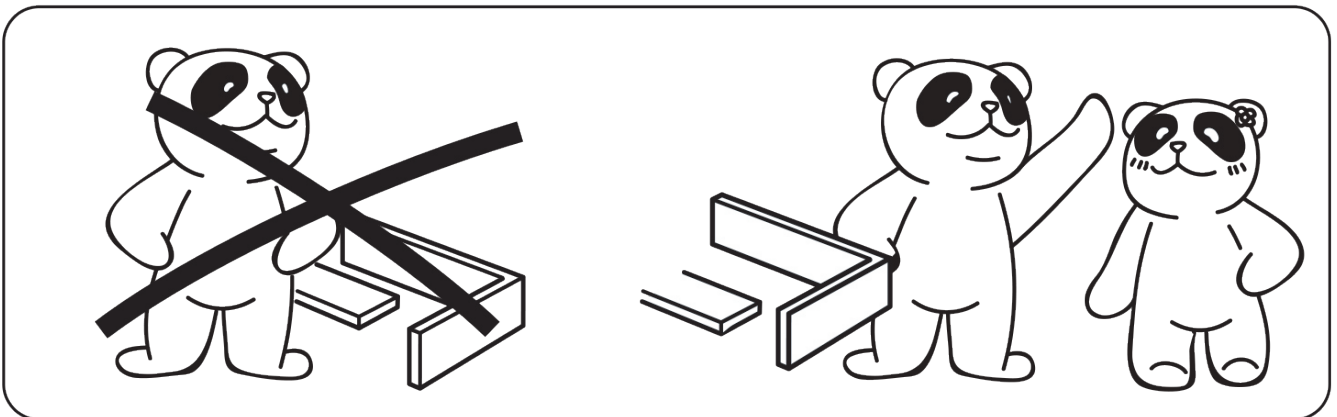
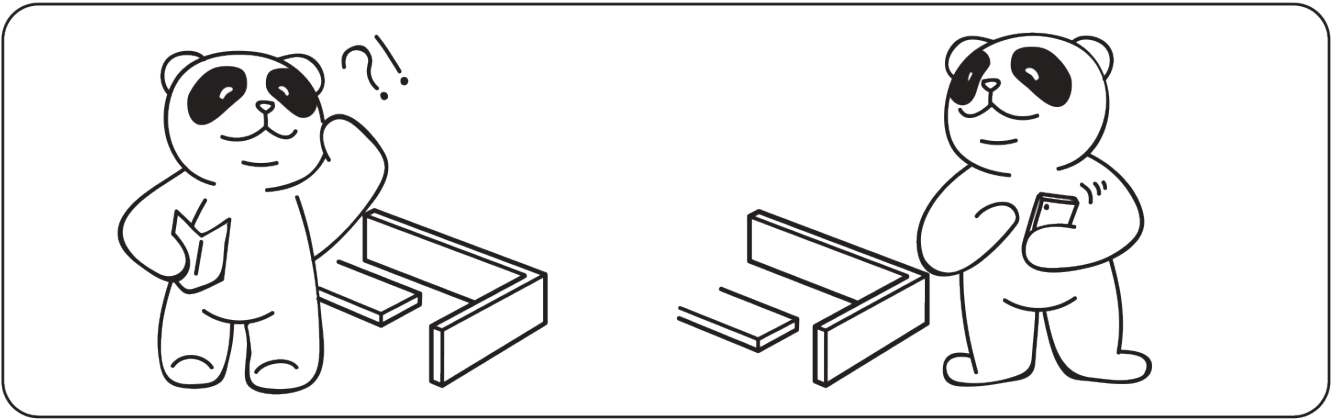
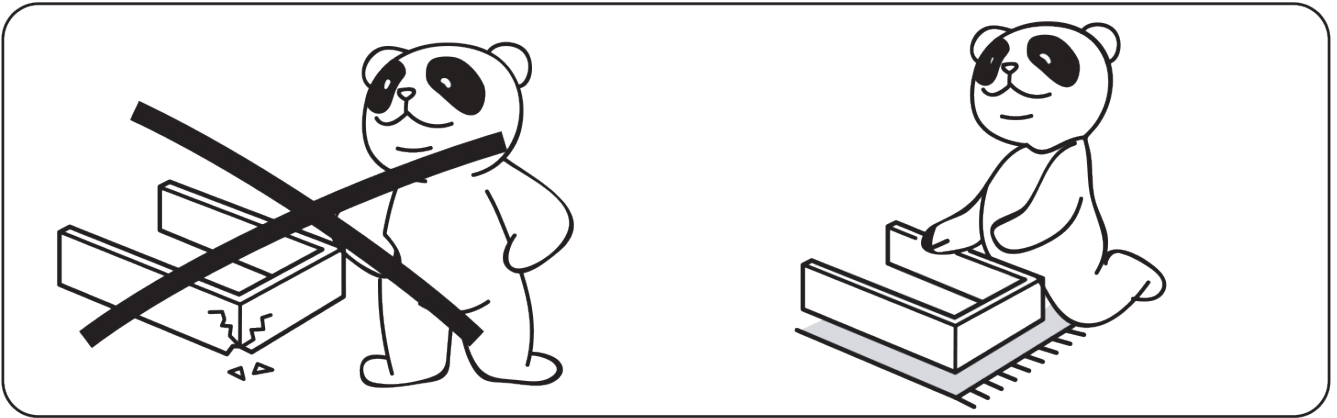
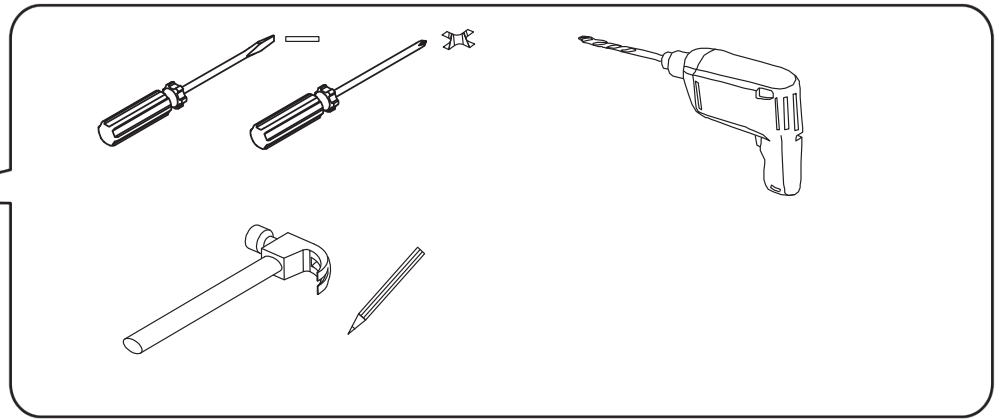
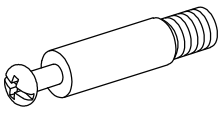
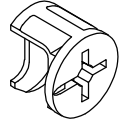
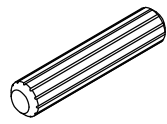
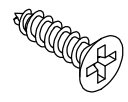
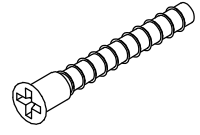
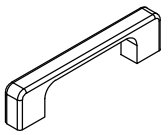
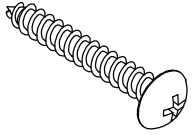
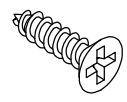
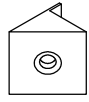

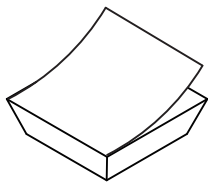




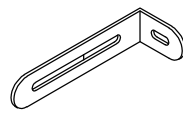
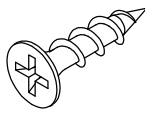
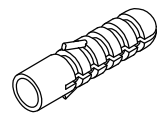
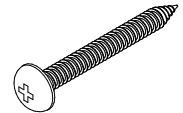


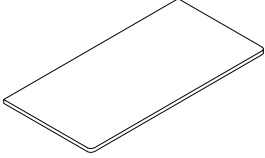
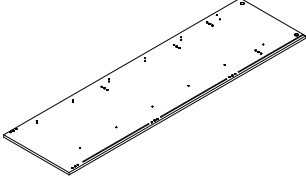
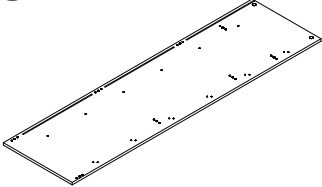
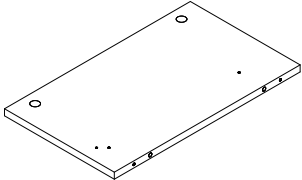
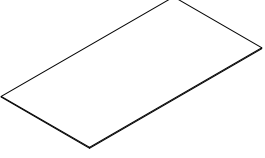
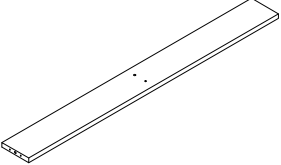
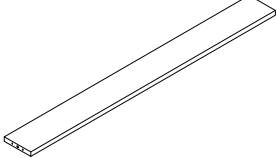
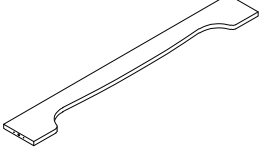
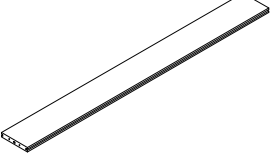
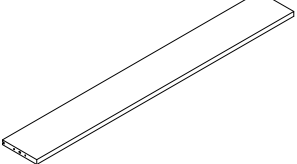
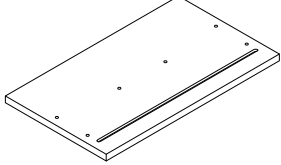
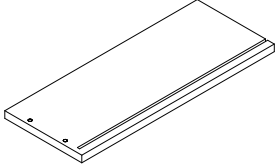
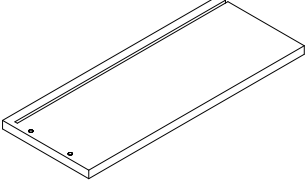
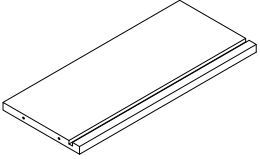
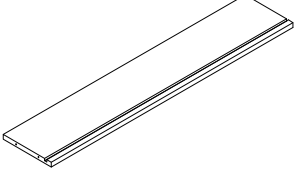
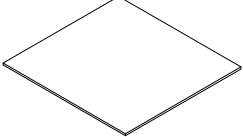
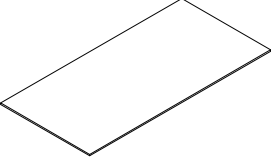
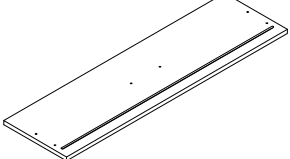
2 PERS.



HARDWARE LIST

<p>A</p>  <p>6×28mm 34PCS</p>	<p>B</p>  <p>15×9 mm 34PCS</p>	<p>C</p>  <p>6×30mm 24PCS</p>	<p>D</p>  <p>M3×12mm 70PCS</p>	<p>E</p>  <p>M5×40mm 30PCS</p>
<p>K</p>  <p>7 PCS</p>	<p>G</p>  <p>M4×30mm 32PCS</p>	<p>H</p>  <p>M3×14mm 14PCS</p>	<p>I</p>  <p>15×14×10mm 14 PCS</p>	<p>J</p>  <p>M4×16mm 14 PCS</p>
<p>F</p>  <p>8 PCS</p>				
<p>L</p>  <p>DL L350</p> <p>7PCS</p>  <p>DR L350</p> <p>7PCS</p>  <p>CL L350</p> <p>7PCS</p>  <p>CR L350</p> <p>7PCS</p>				
<p>M</p>   <p>M3×15mm</p> <p>2PCS</p>   <p>M4×30mm</p>				

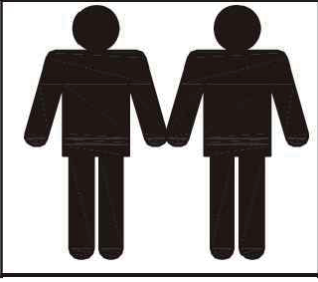
PANEL LIST

<p>1</p>  <p>800×400×15 x1PC</p>	<p>2</p>  <p>1396×371×12 x1PC</p>	<p>3</p>  <p>1396×371×12 x1PC</p>	<p>4</p>  <p>373×216×12 x1PC</p>
<p>5</p>  <p>754×386×3 x3PCS</p>	<p>6</p>  <p>746×80×12 x2PCS</p>	<p>7</p>  <p>746×80×12 x2PCS</p>	<p>8</p>  <p>746×100×12 x1PC</p>
<p>9</p>  <p>746×80×12 x2PCS</p>	<p>10</p>  <p>746×100×12 x1PC</p>	<p>11</p>  <p>361×210×12 x2PCS</p>	<p>12</p>  <p>350×140×12 x7PCS</p>
<p>13</p>  <p>350×140×12 x7PCS</p>	<p>14</p>  <p>318×138×12 x2PCS</p>	<p>15</p>  <p>697×138×12 x5PCS</p>	<p>16</p>  <p>328×347×5 x2PCS</p>
<p>17</p>  <p>707×347×5 x5PCS</p>	<p>18</p>  <p>740×210×12 x5PCS</p>		

MAIN INSTALLATION

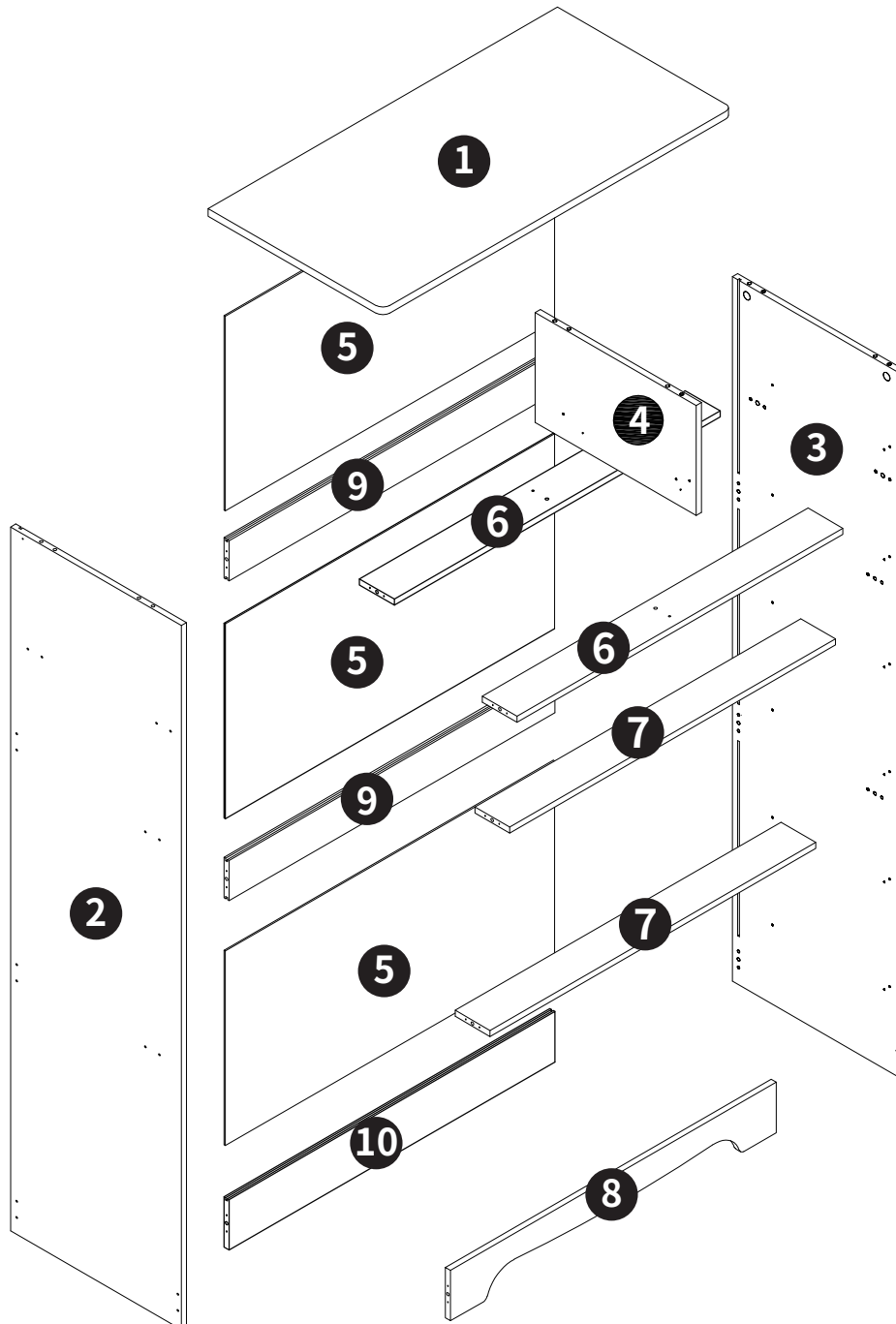
Note:

1. Should be assembled on flat ground to keep balance.

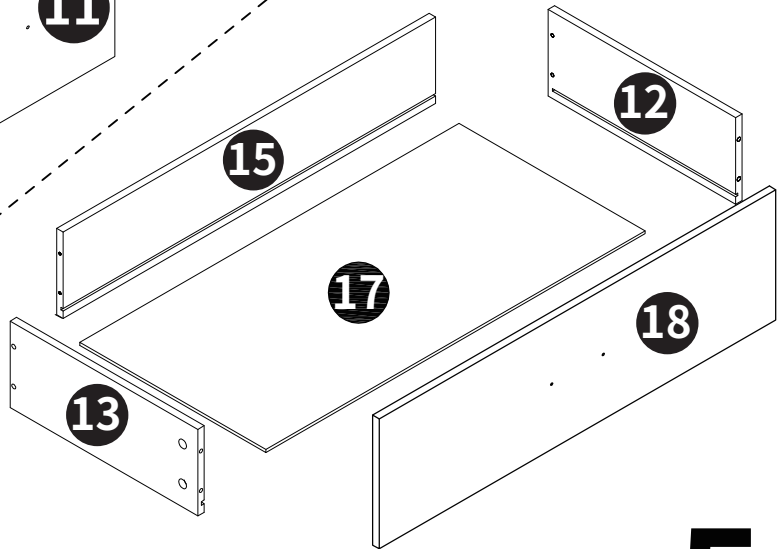
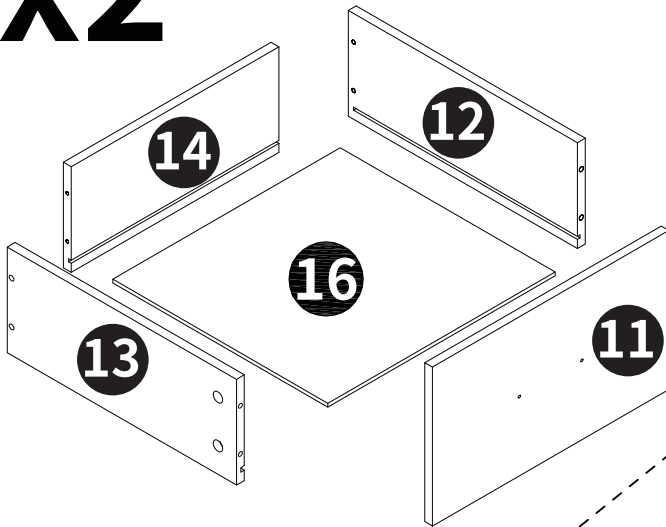


**Before starting the assembly,
you must read the whole manual
and follow the instructions**

**It needs at least
two people to install.**



x2

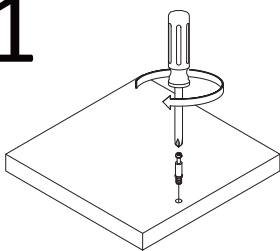


x5

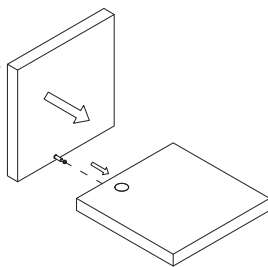
Cam Lock Fastening System

Insert the cam bolt into the hole first, then insert the cam lock and lock it.

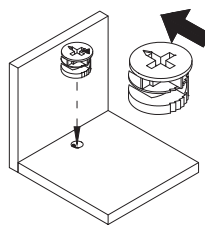
1



2

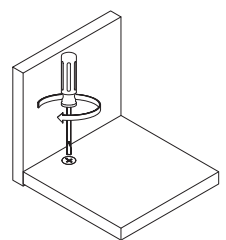


3




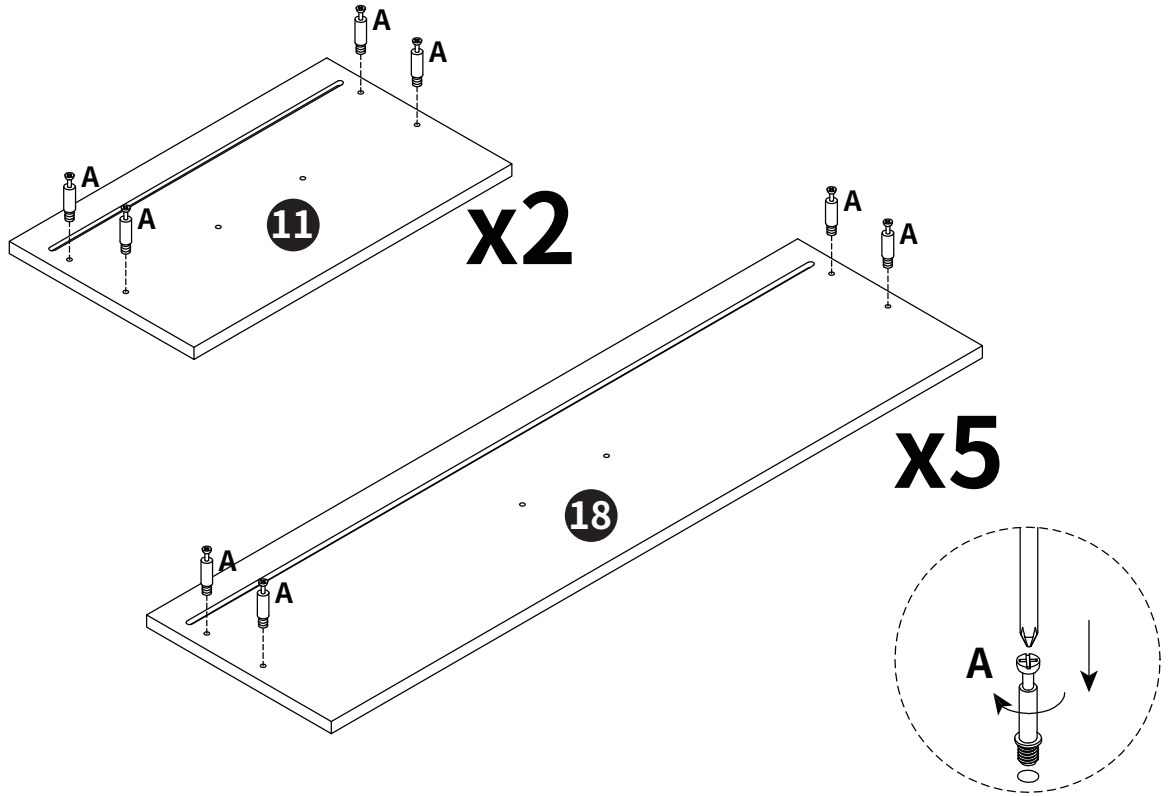
The opening must point toward the edge of the board

4



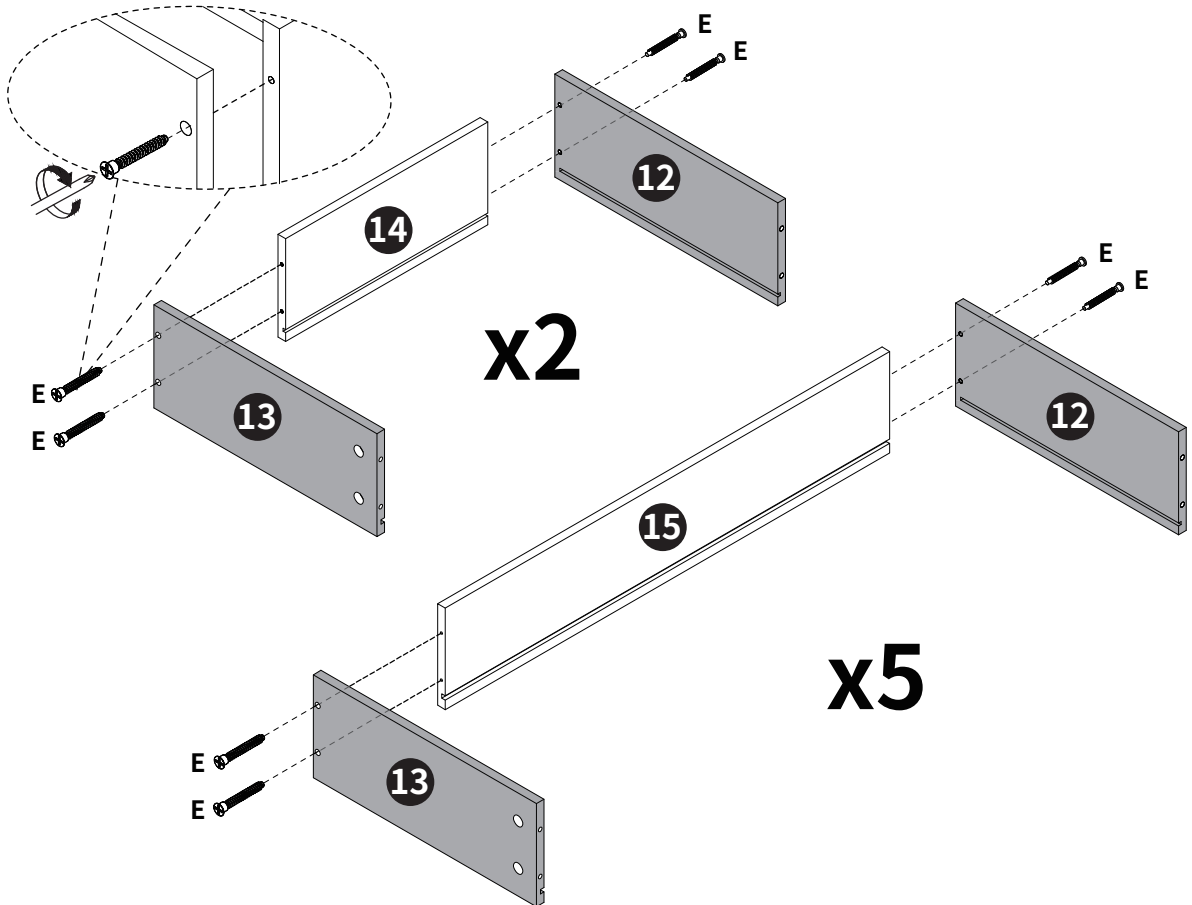
01

Ax28 

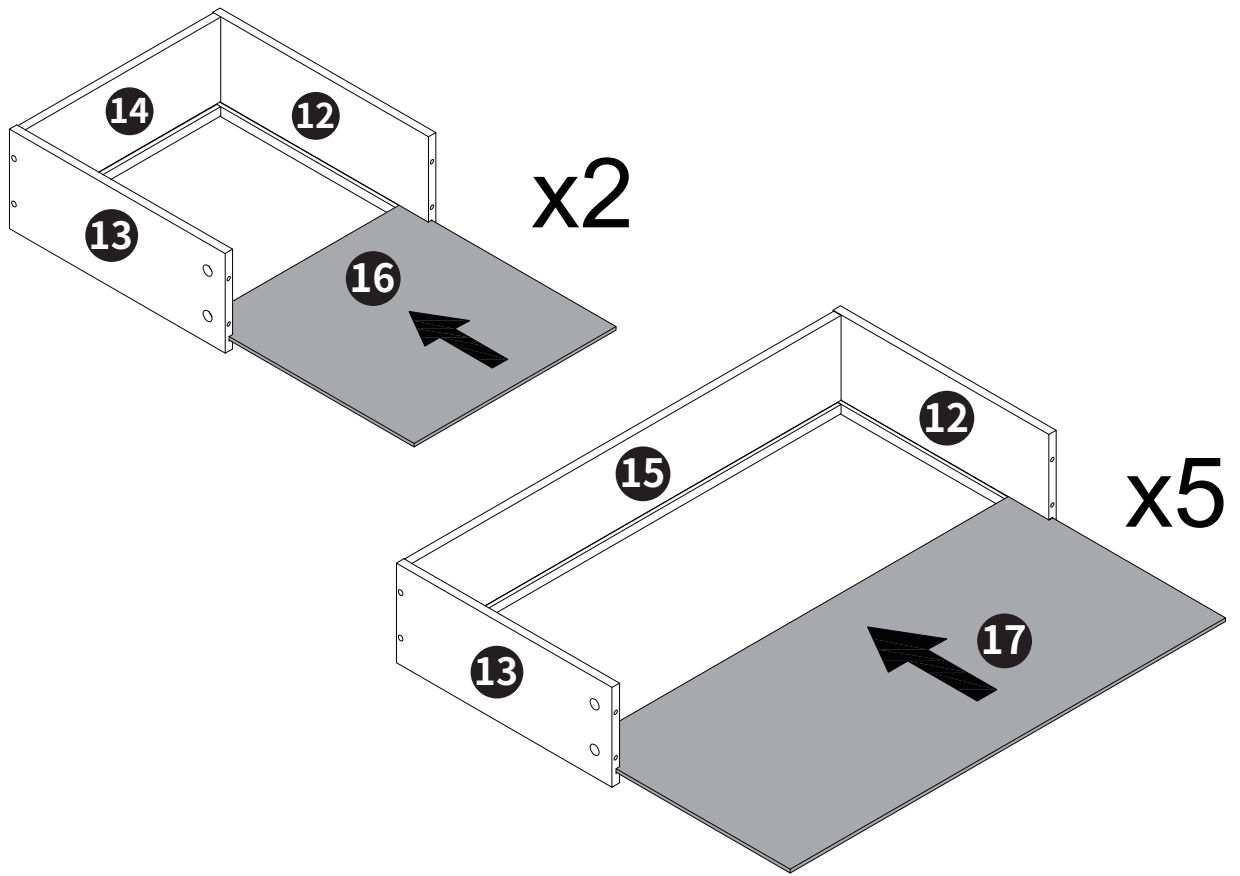


02

Ex28 

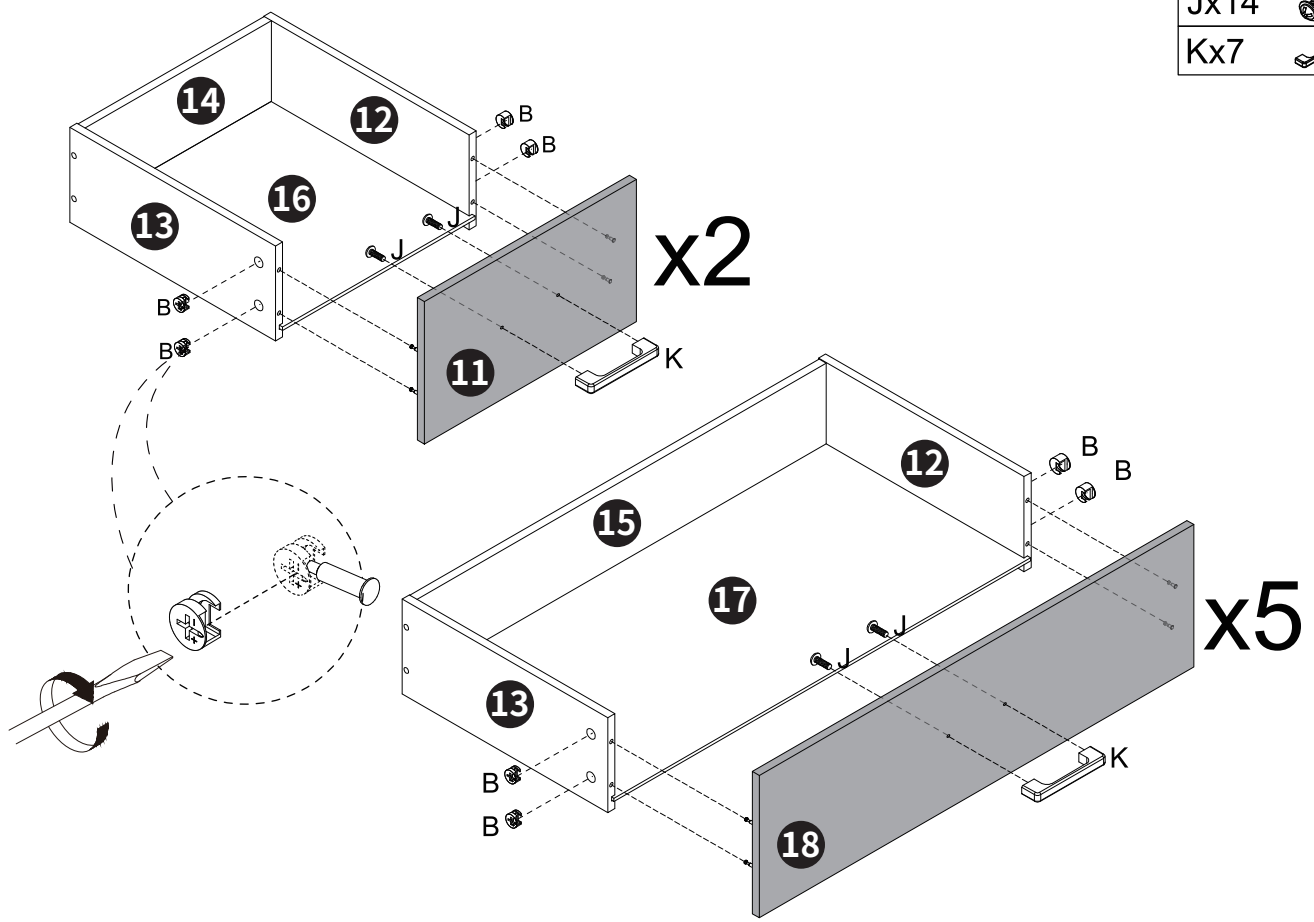


03


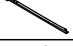
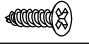


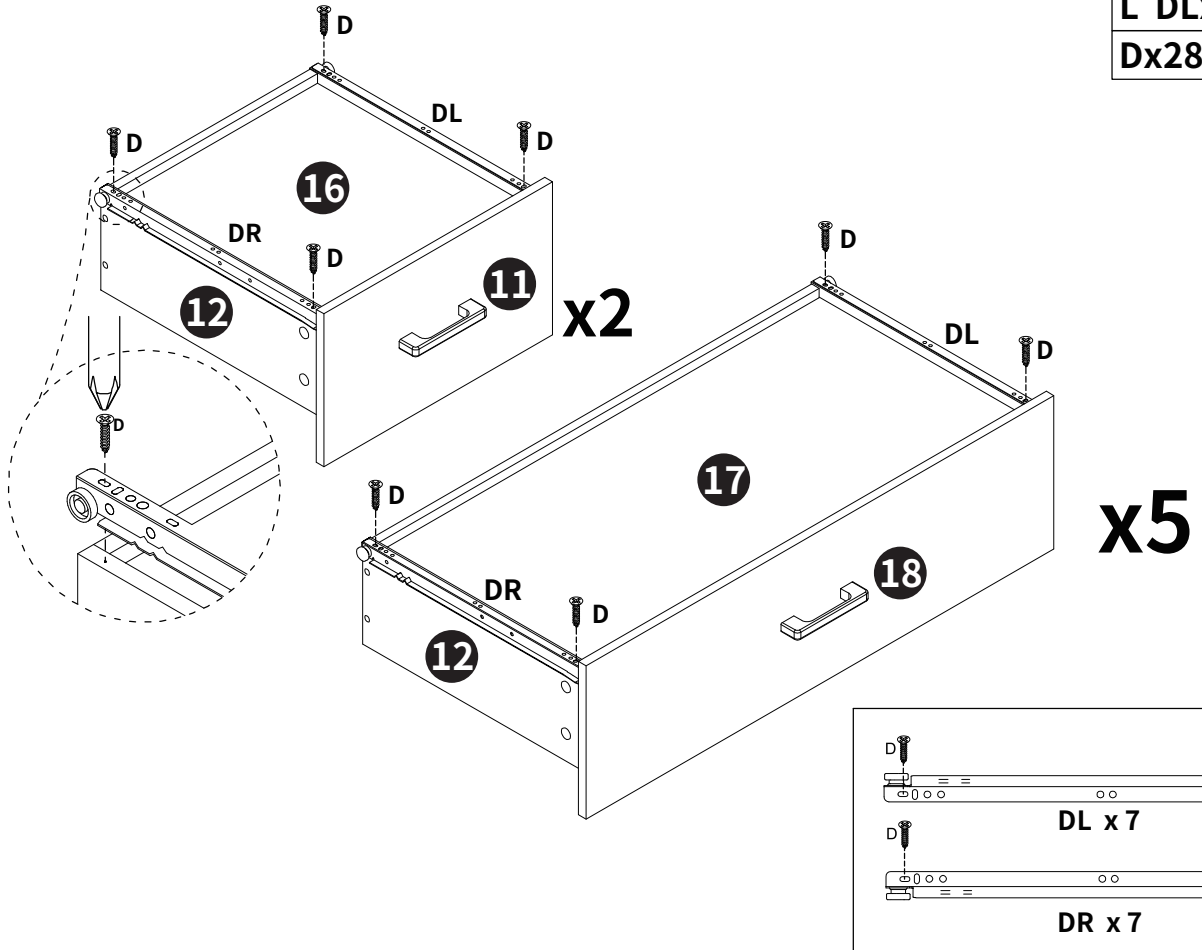
04

Bx28	
Jx14	
Kx7	




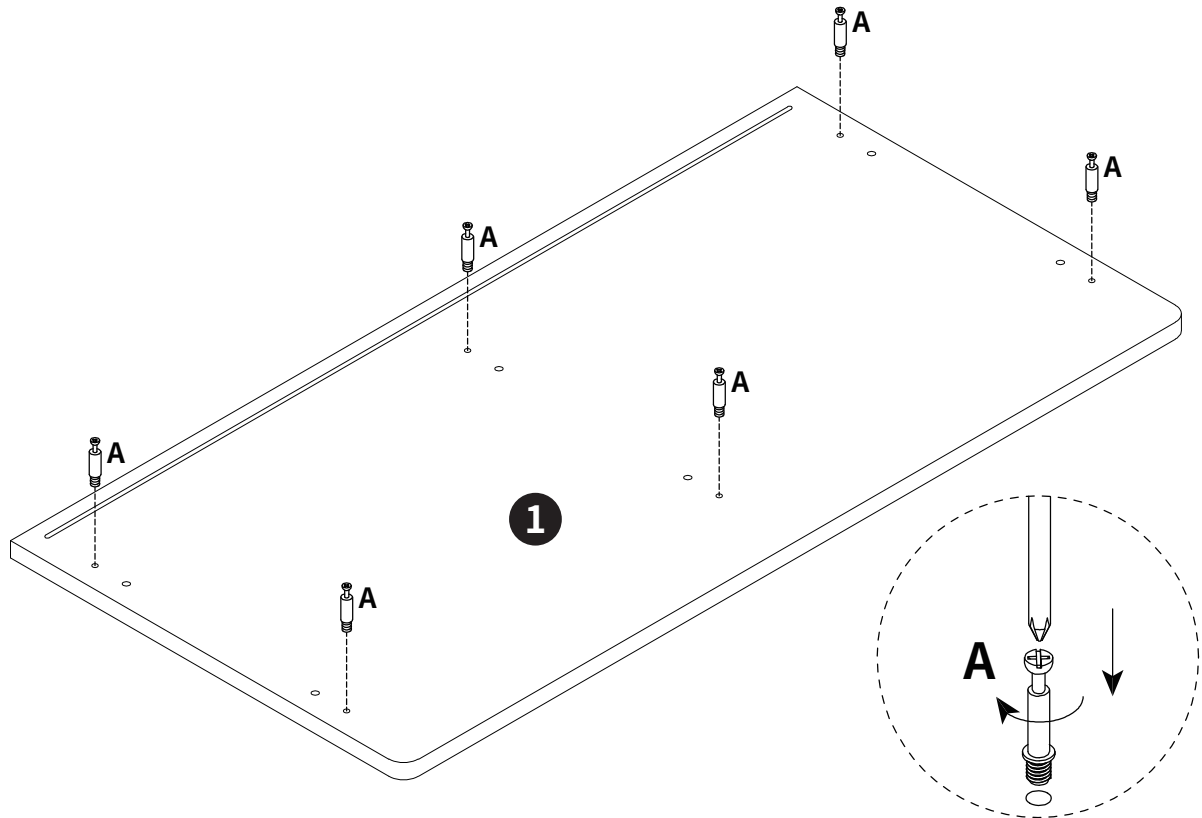
05

- L DRx7 
- L DLx7 
- Dx28 

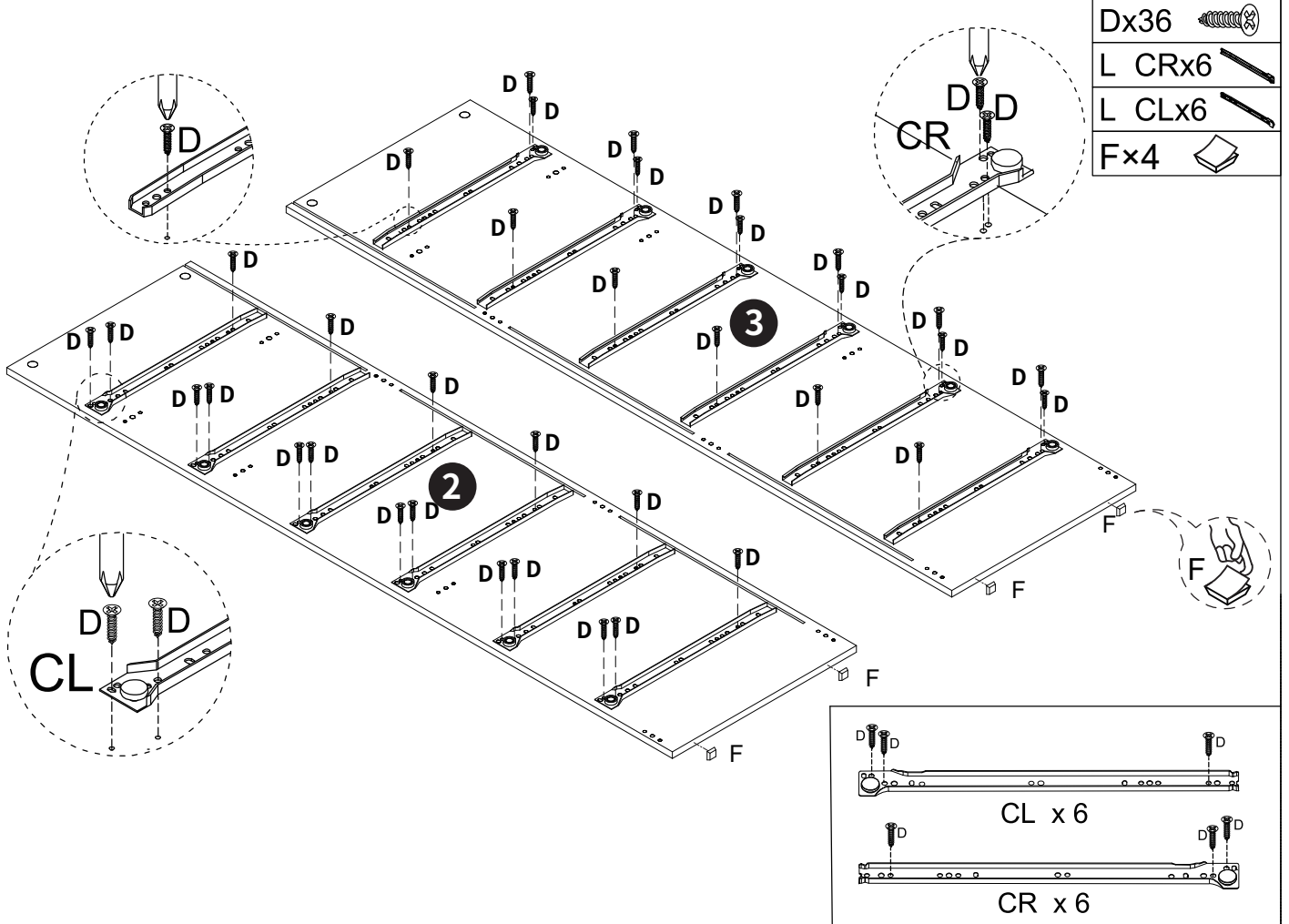


06

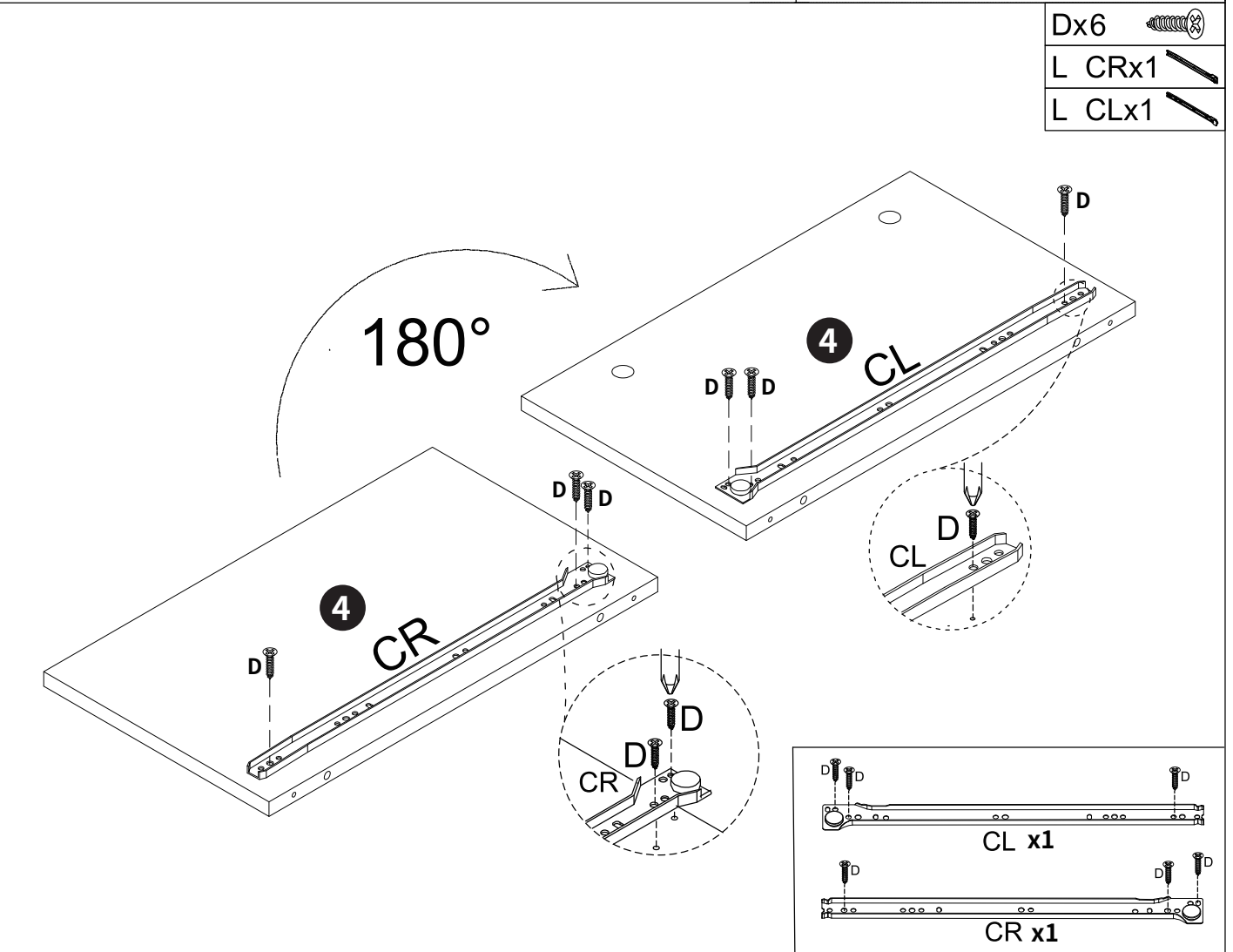
- Ax6 



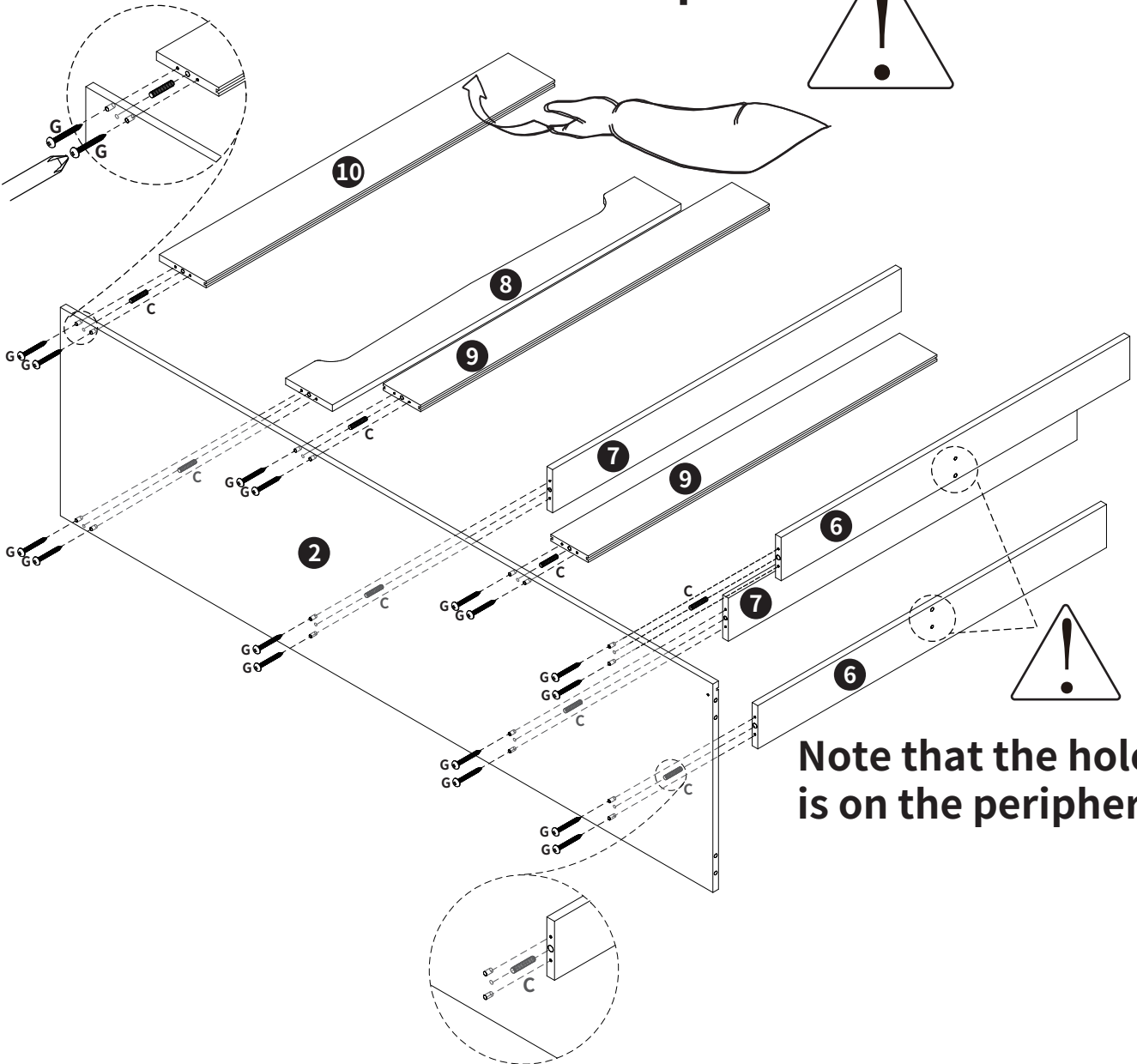
07



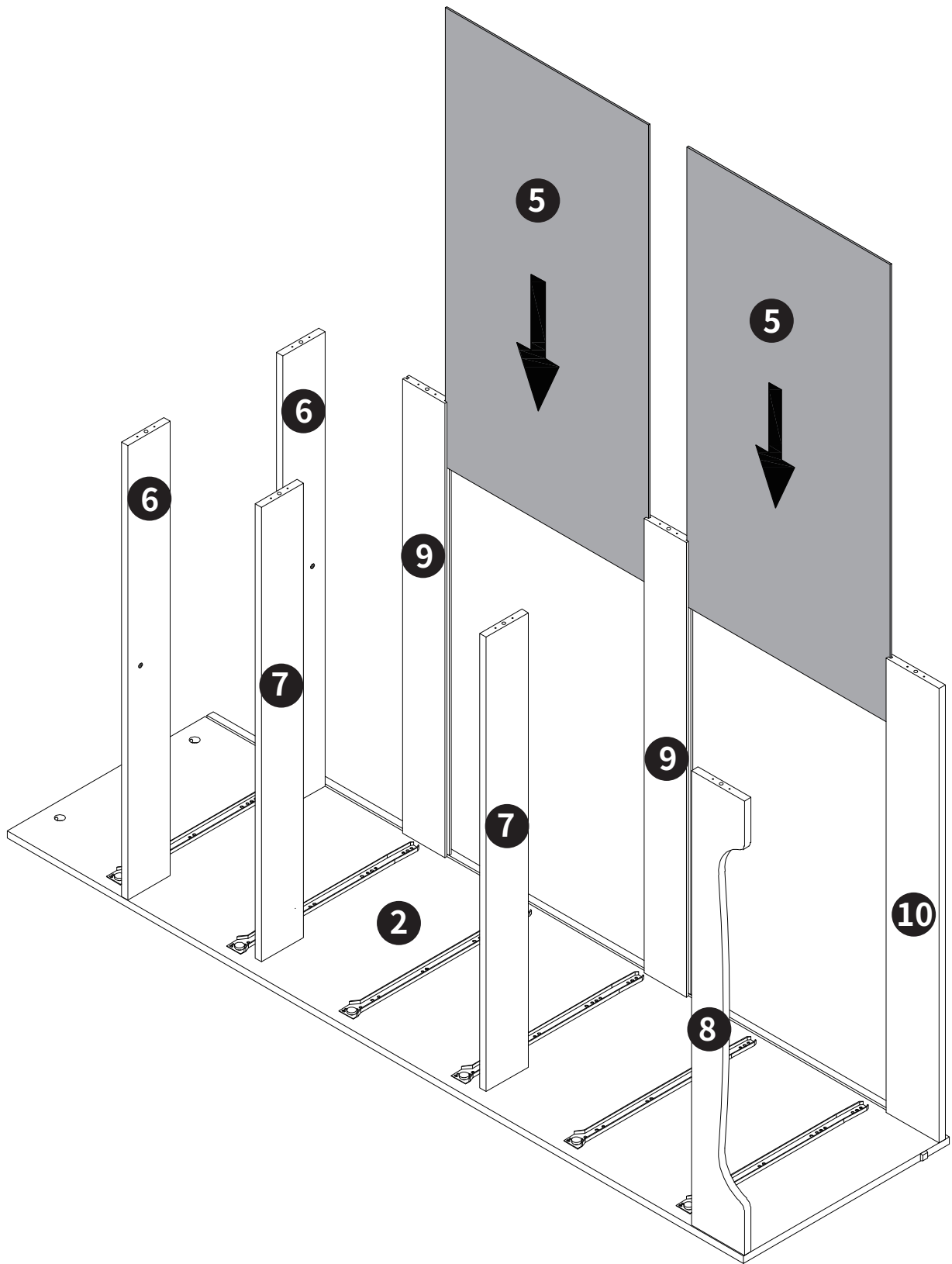
08






Please note that installation requires one person to hold the panel.

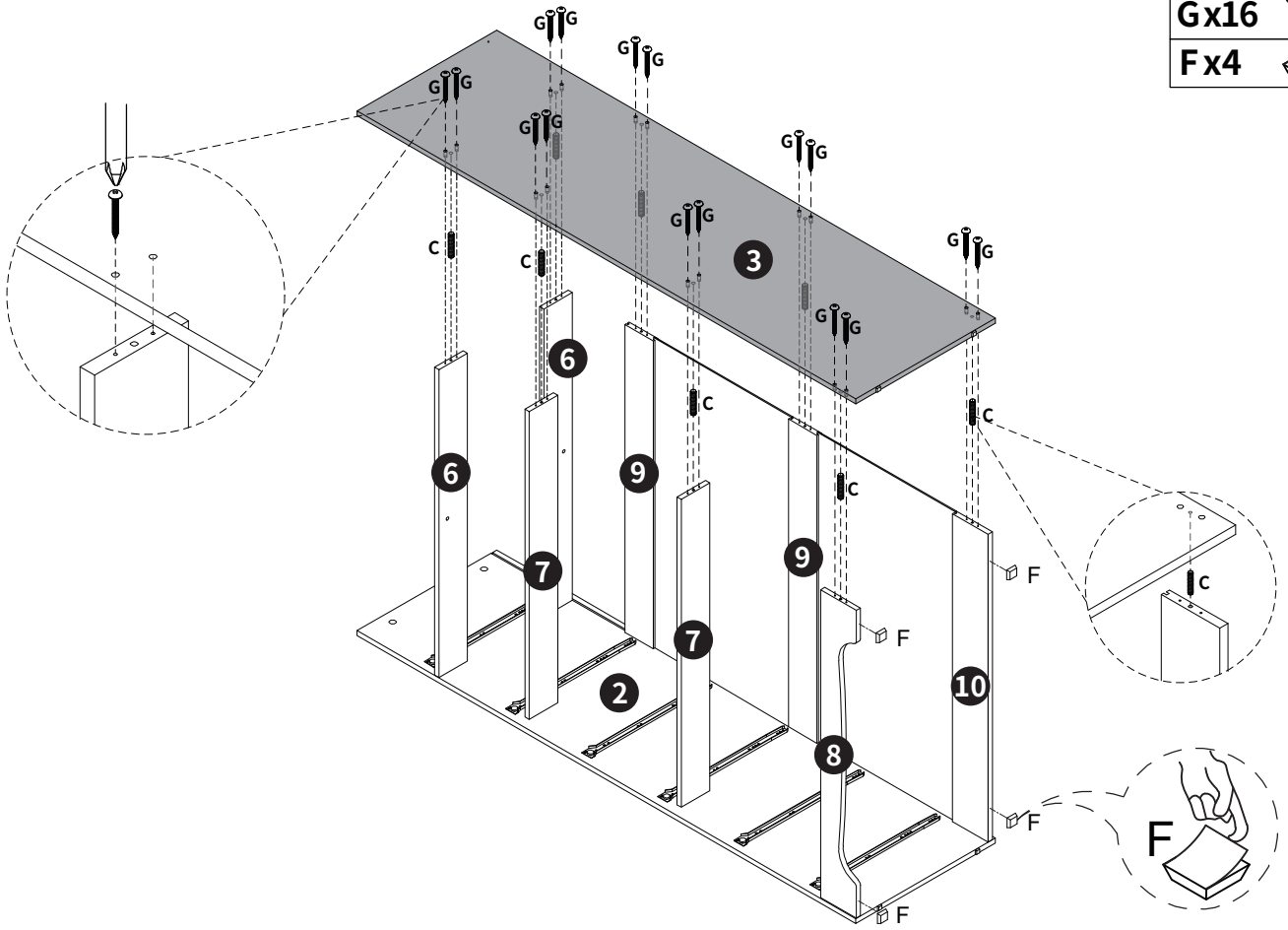


Note that the hole is on the periphery





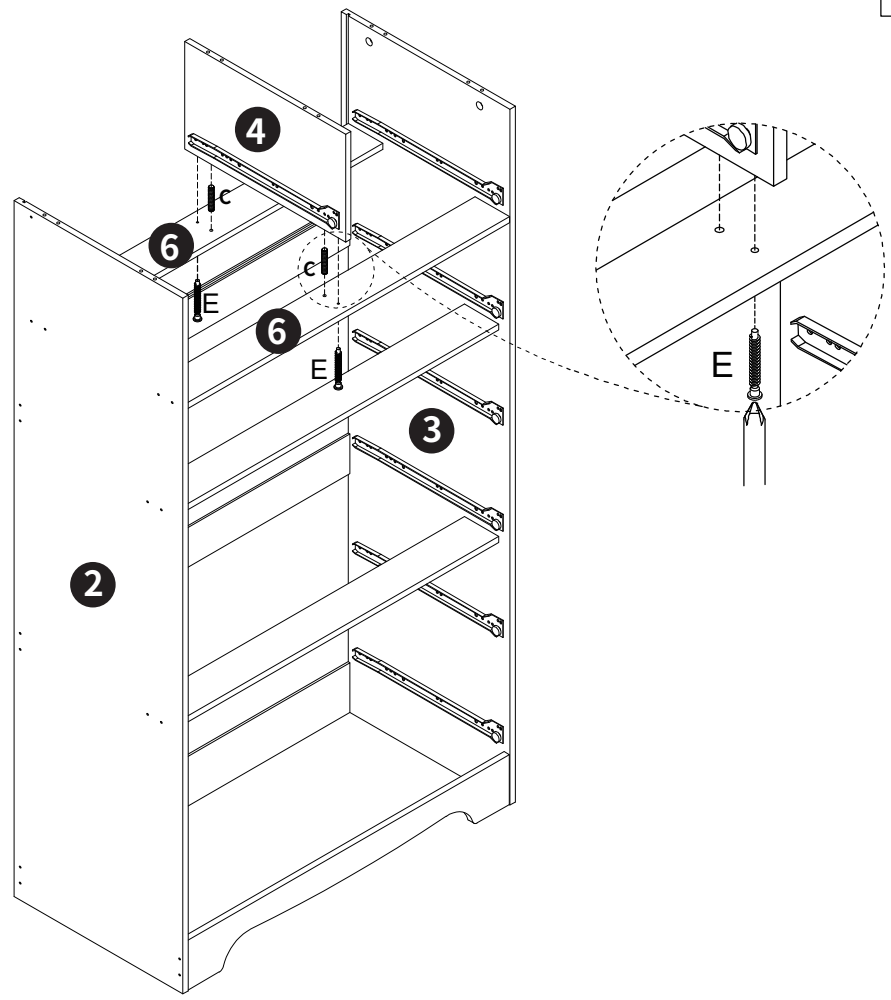
11

- Cx8 
- Gx16 
- Fx4 

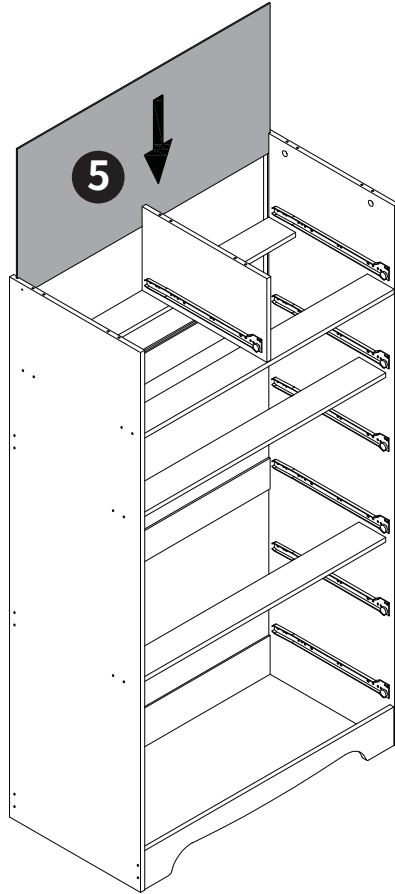


12



- Cx2 
- Ex2 

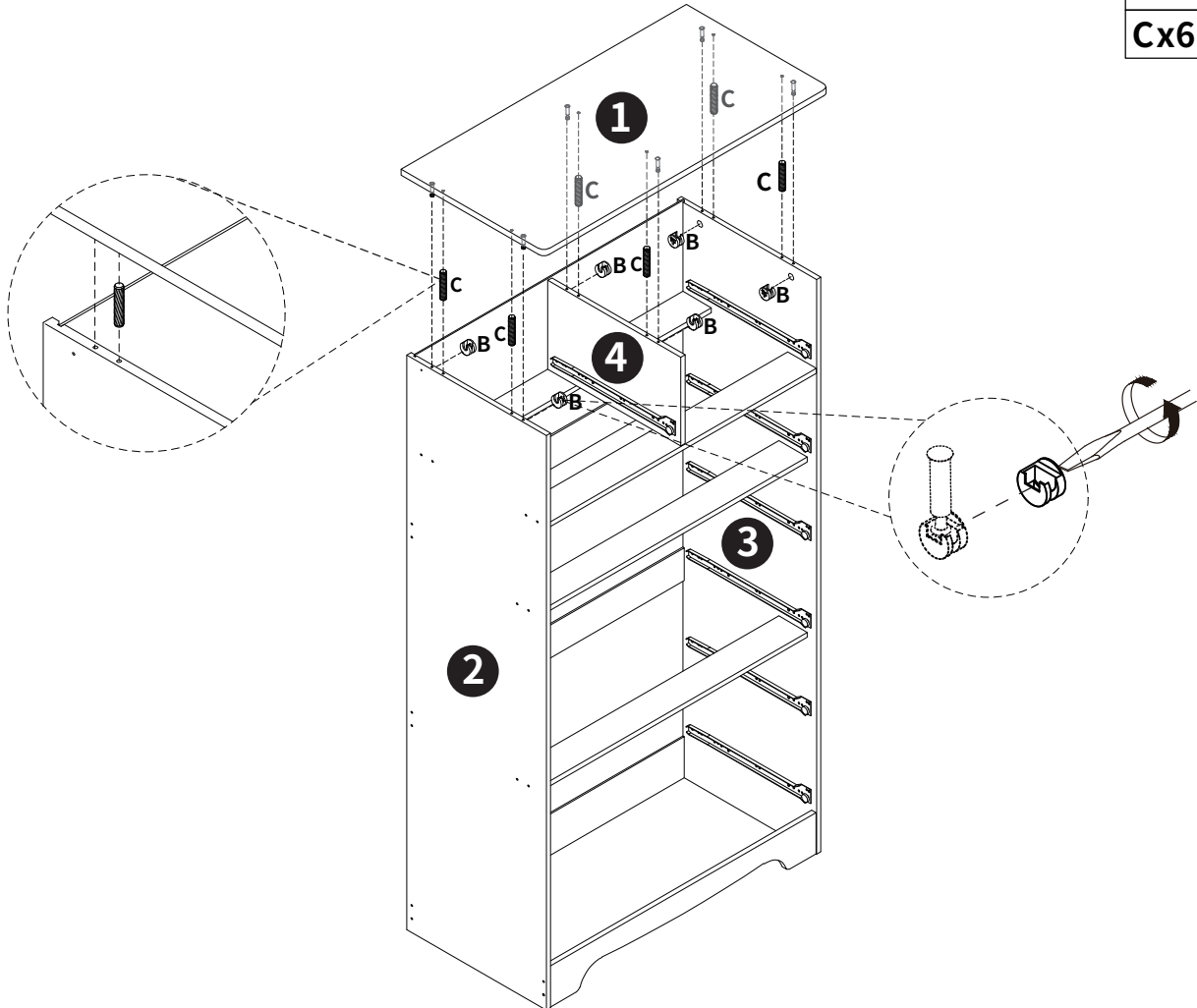


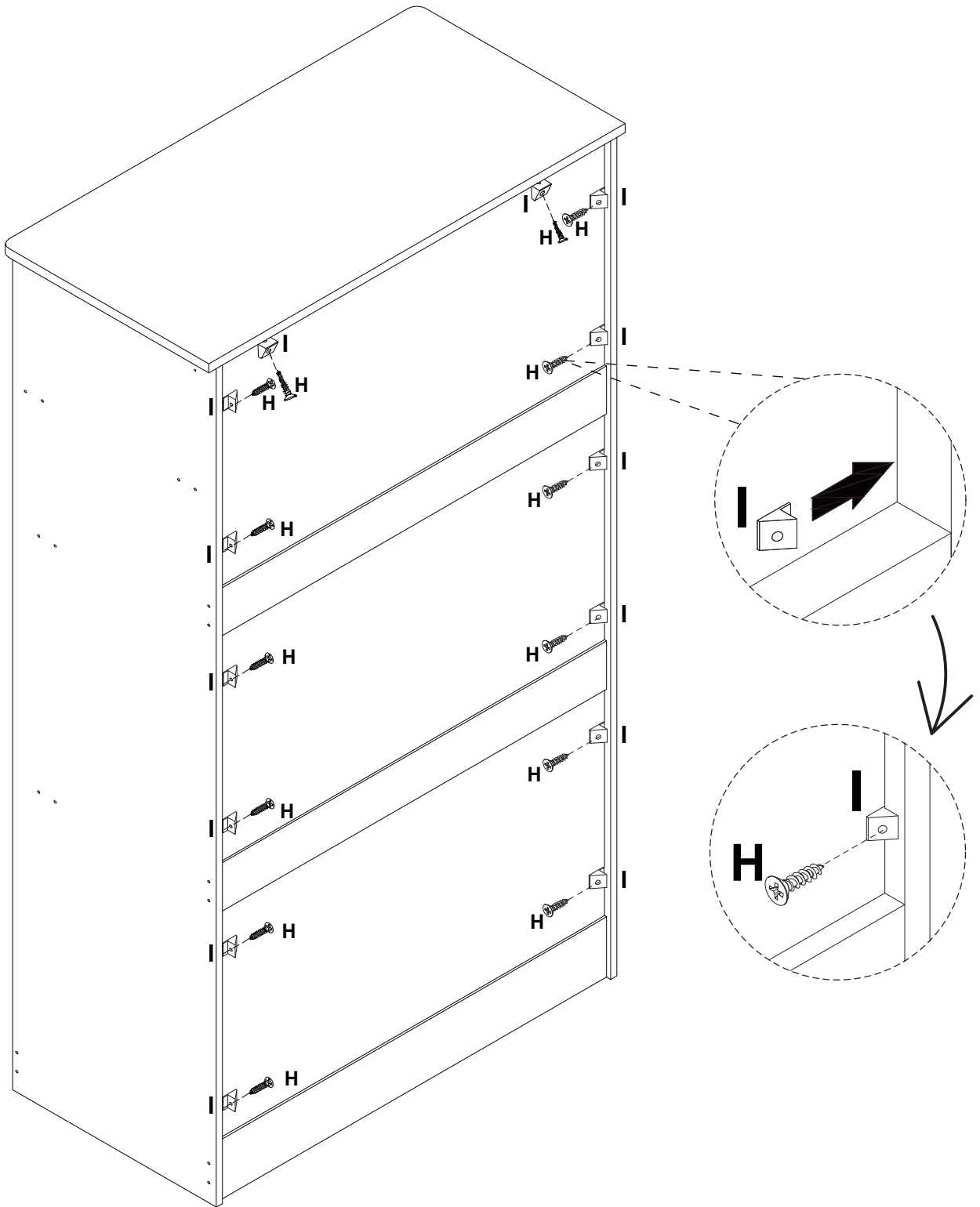
13



14

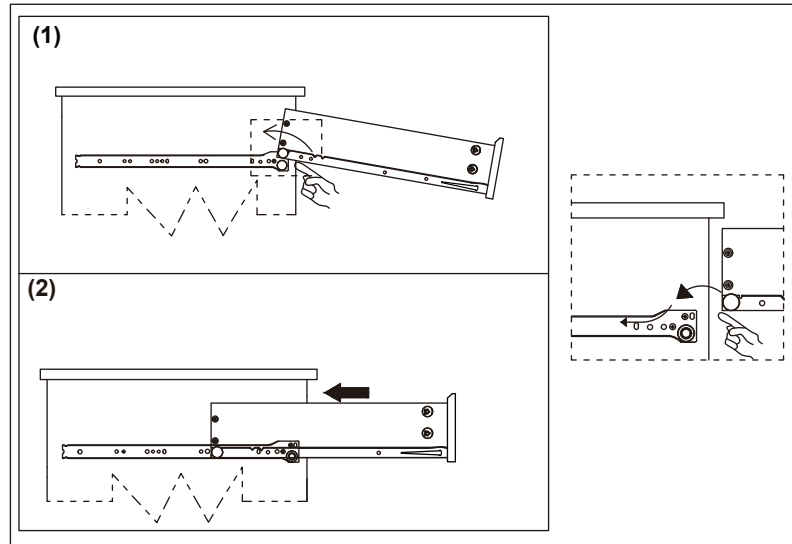
Bx6 
Cx6 



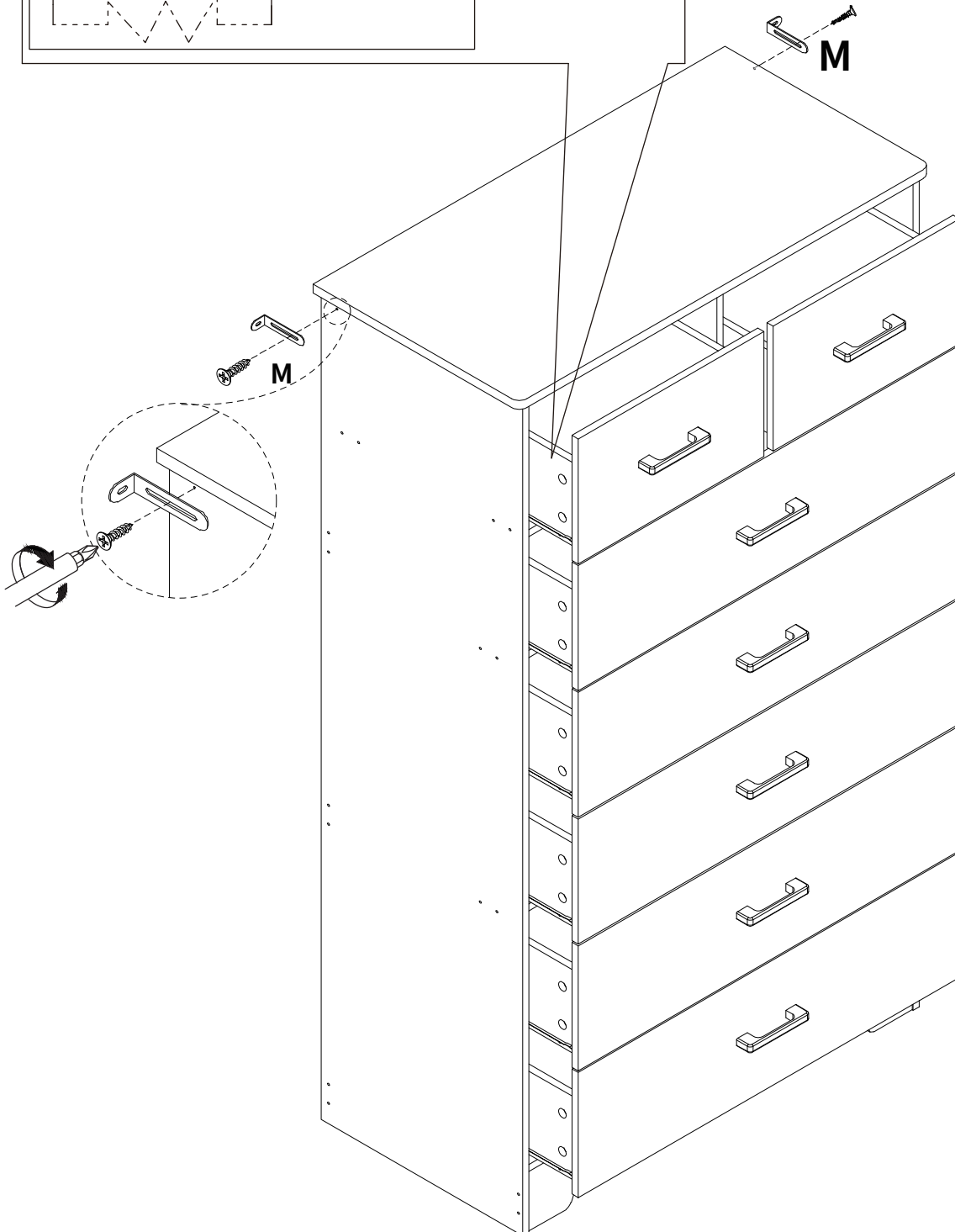


16 Drawer mounting frame

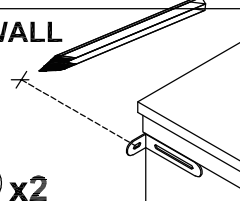
Mx2 



Please pay attention to the drawer number. The drawer panel has an installation direction.




WALL



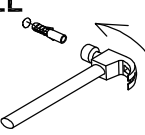
I x2

WALL +
drilling hole



II x2

WALL



III x2

