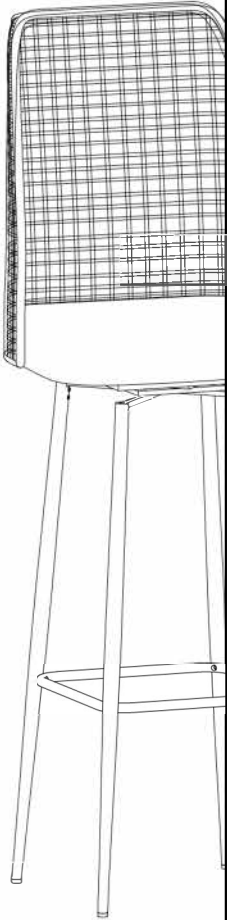


Owner Manual



WARRANTY



We strive to offer high quality product and we also try our best to satisfy each customer that order from us, no matter on products or services as needed. Each customer receives a record of their order, such as the order number or item receipt. For any items that are out of warranty period, you may still be able to purchase the replacement parts from our company if they are available.

MAINTENANCE AND WARNING

Please read the manual thoroughly
before you start installing.

Please keep the product away from
sharp object.

Packaging and small parts may have
chocking hazard, please keep them away
from children and pets.

Please clean the product according to each
clean code, check the product description
for more information.

Please keep the product away from
fire.

If you have any other questions, please
contact us, we will be glad to help you out.

If the product is placed under direct
sunlight, the pattern or color might fade
away overtime.

Check the product periodically to make
sure everything is secured and tightened.

Always use proper tools for installation.

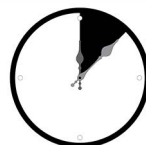
Do not jump on the product.



Two people



0-3



Around 20 min

PRODUCT DESCRIPTION

Timeless Design: The intricately woven wicker backrest creates a natural aesthetic that enhances the look of any bar or kitchen area.

Ergonomic Comfort: With a low backrest designed to provide excellent lumbar support, these stools ensure comfort for long hours.

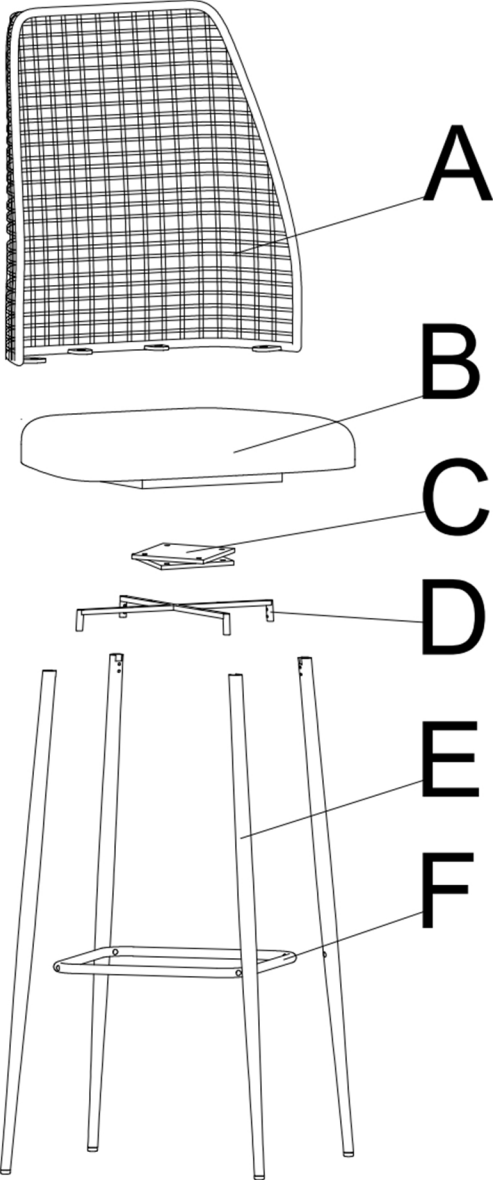
Sturdy Construction: The metal legs offer a solid base, keeping the stools stable while providing a durable structure.

360-Degree Swivel: Effortlessly rotate the stools for maximum flexibility and convenience, perfect for a lively space.

Quality Upholstery: The chenille fabric seat is not only soft and cozy but also complements the wicker backrest, creating a harmonious visual appeal.

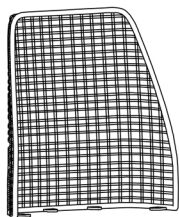
EXPLODED VIEW

▲ NOTE: The components required to assemble one chair as shown



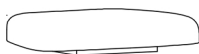
PARTS

A*1



Backrest

B*1



Seat

C*1



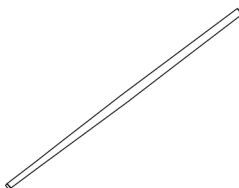
Swivel Base

D*1



Leg frame

E*4



Legs

F*1



Footrest

HARDWARE

TOOL LIST

NOTE: Designated with (★) We provide additional spare parts in the hardware package

NOTE: The components required to assemble one chair as shown

①*20



★ M6*15mm
Bolt

②*4



★ M6*30mm
Bolt

③*24



★ M6*15mm
Bolt

④*1



Allen key

⑤*4

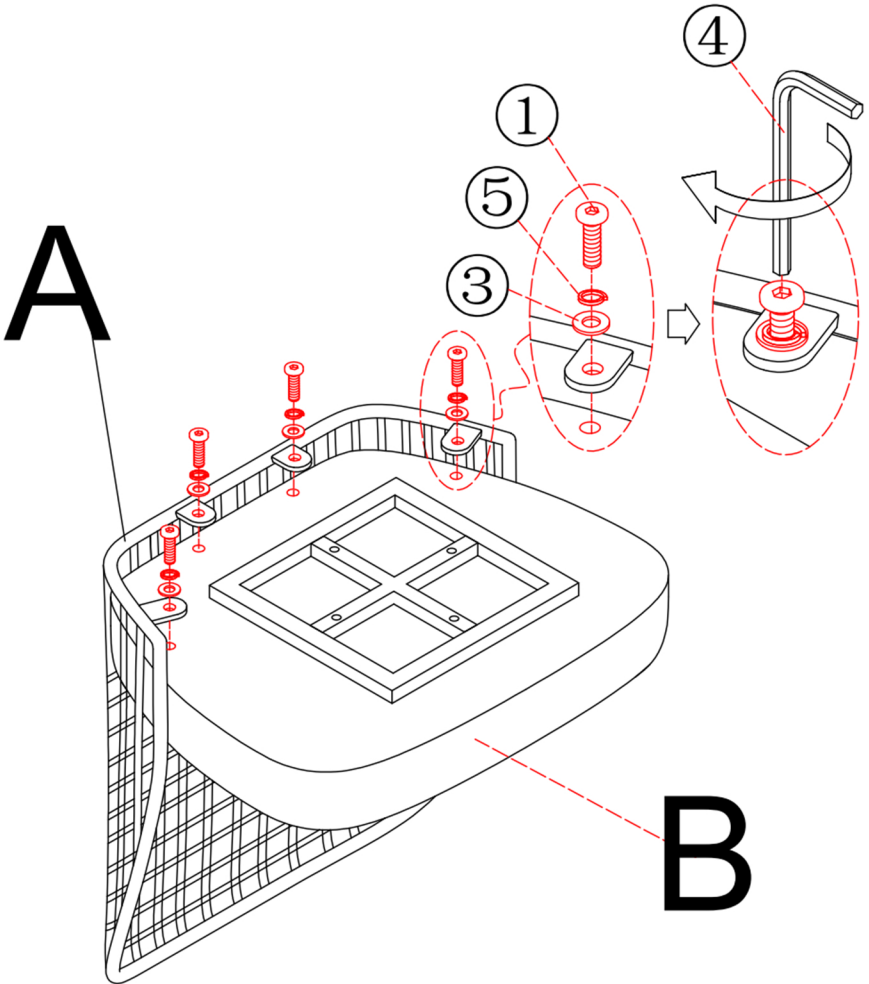


★ Spring washer

Please make sure all hardware & packing material fitting the list. Especially some small accessories may be missing during transportation. Please contact us if you have any question.

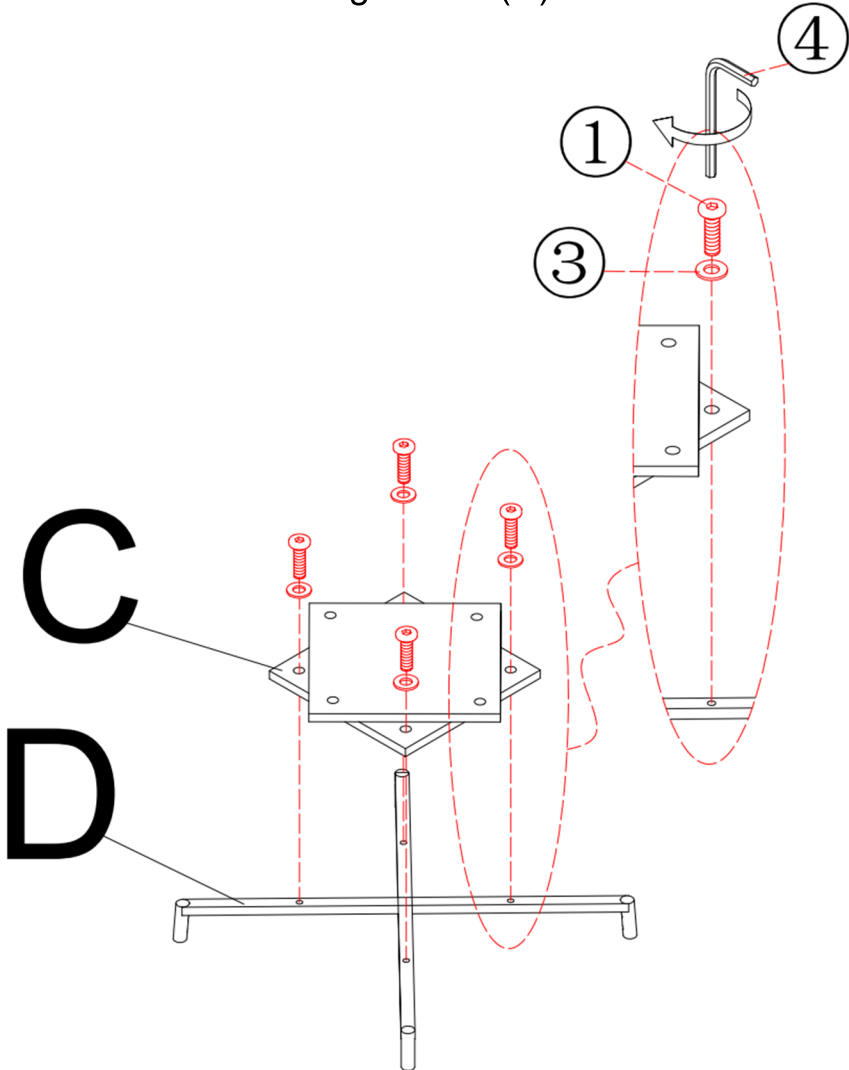
step 1

Align the pre-drilled bolt holes from the Backrest (A) to the back of the Seat (B) as shown, then place one spring washer (5) and one flat washer (3) in order on each bolt (1), and use the Allen Wrench (4) provided to fix the bolts.



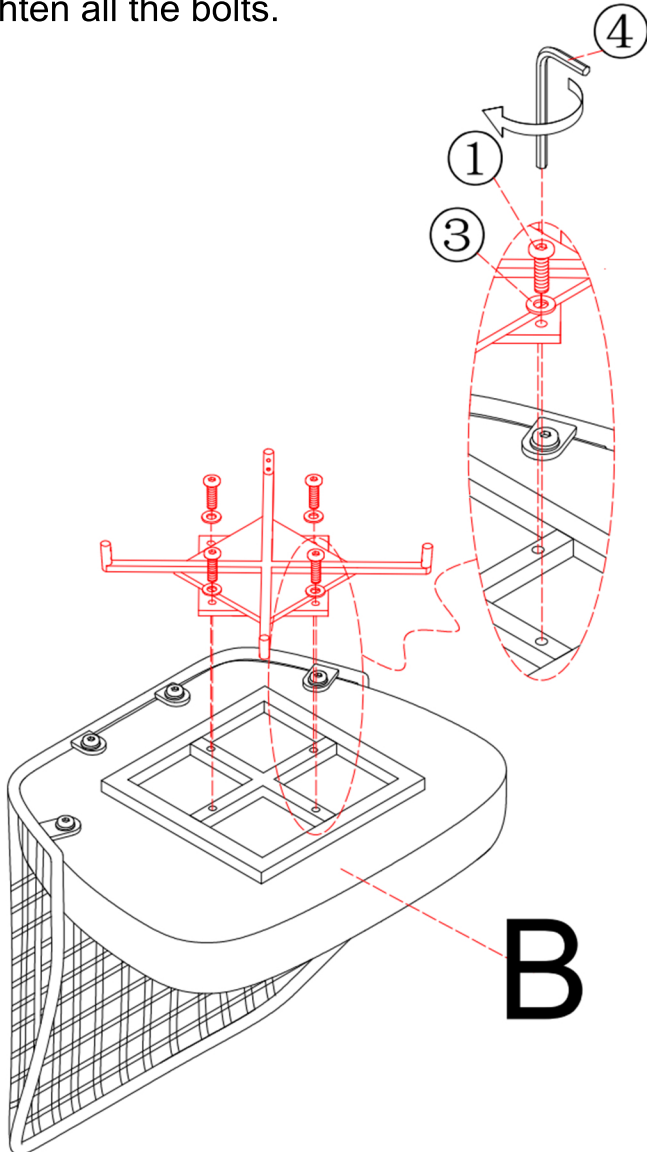
step 2

Turn the Swivel Base (C) to the shown phase. Then fix the Swivel Base to the Leg Frame (D) as shown, make sure the pre-drilled bolt holes on the Swivel Base are correct aligned with the holes on the Leg Frame (D).



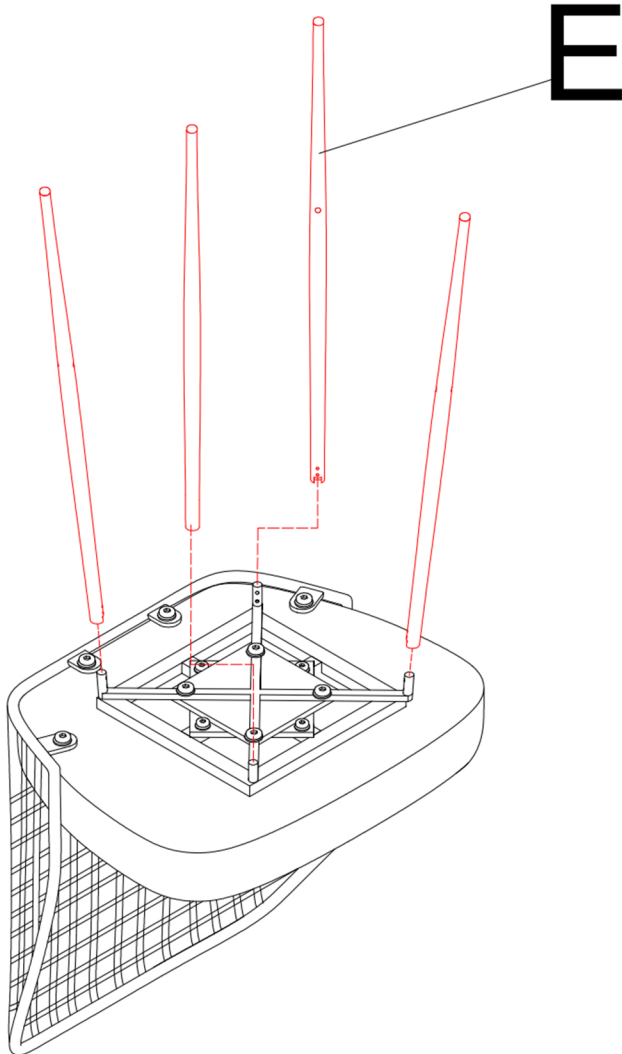
step 3

Install the parts (Swivel Base & Leg Frame) from the previous step to the bottom of the Seat (B) as shown. Place one flat washer (3) on each bolt (1) first, then use the Allen Wrench (4) provided to tighten all the bolts.



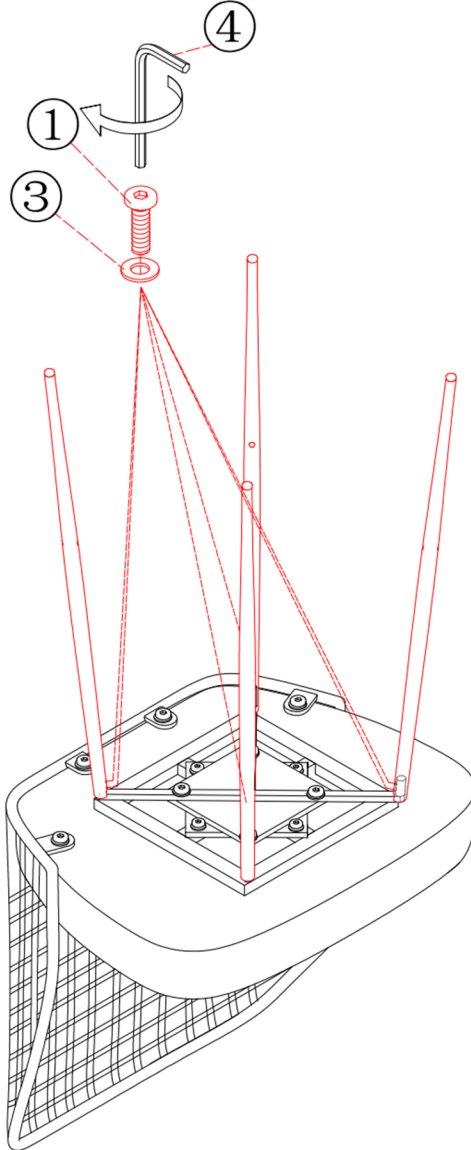
step 4

Insert each Leg (E) onto the Leg Frame as shown, make sure the pre-drilled bolt holes are aligned with the holes on the frame.



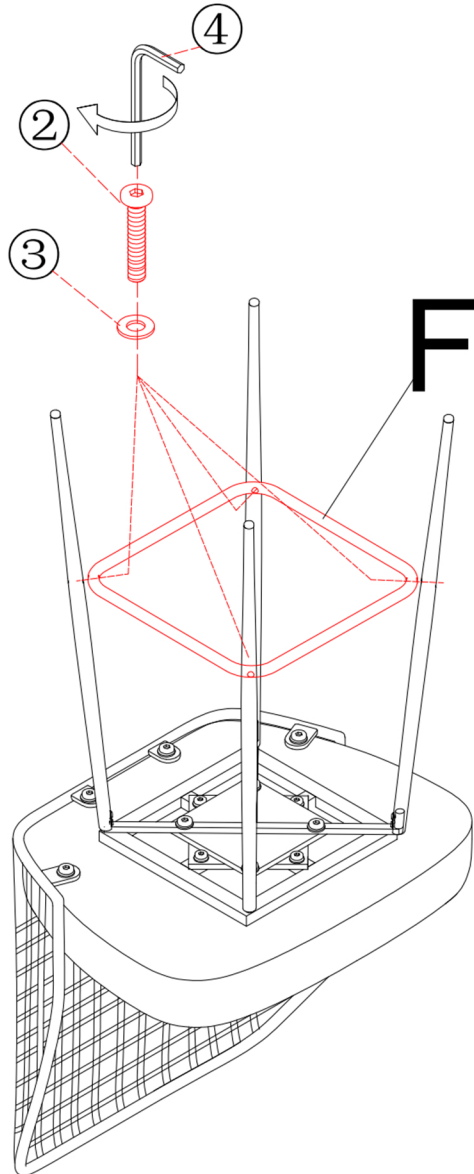
step 5

Use the Allen Wrench (4) provided to tighten the bolts (1) and washer (3) on each leg in order to fix the legs.



step 6

Install the Footrest (F) to the legs as shown, use the Allen Wrench (4) to tighten one bolt (2) and washer (3) to each leg, make sure the pre-drilled holes on both parts are correctly aligned.



step 7

Please note: the legs of the bar stool can be adjusted by twisting the leveler on the tip of the legs as shown, it can help you use this chair on ground that is not flat, please check before you use the chair.

