



DESCRIPTION:

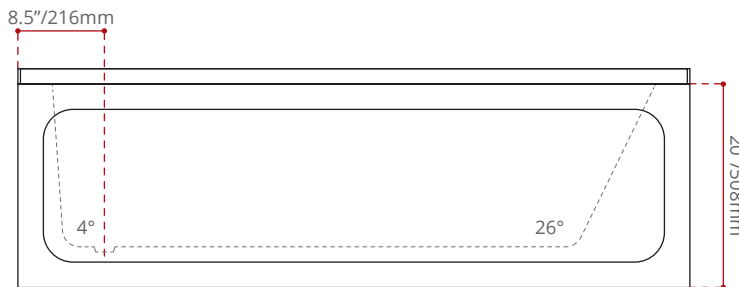
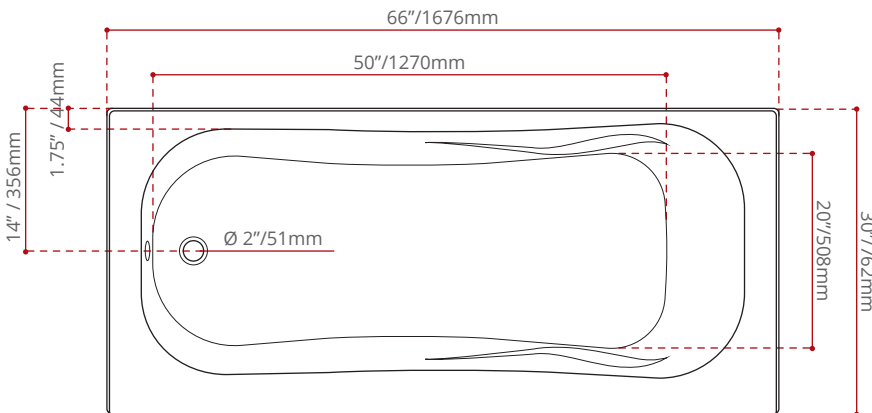
- Classic Style
- Left or Right Drain.
- High gloss / Crack-resistant acrylic.
- Made in Canada.
- Complies with CSA & IAPMO standards.

AVAILABLE OPTIONS:

- Biscuit & black Colour. ○ ●
- 3/4 Set back wood apron.
- Removable access panel.
- Skirt cut-off.
- Plain skirt.
- Double tilling flange.
- Textured Bottom

JETTING OPTIONS:

- Lateral Air jets.
- Air illusion jets.
- Filler air jets.
- Square zen jets.
- Neck-Jet massage system.
- Whirlpool jets.
- V-Masseuse.
- Chromatherapy.
- Aromatherapy.
- Comfort Warm



WATER DEPTH

12.5" / 318mm

CAPACITY

64.8 gal.
245.6 litres of water

SHIPPING DIMENSIONS

66 x 32 x 24" / 1676 x 813 x 610mm

NET WEIGHT

33 kg / 73 lbs

GROSS WEIGHT

40 kg / 88 lbs

Measurements may vary ± 5mm
- Diagram NOT to scale -

