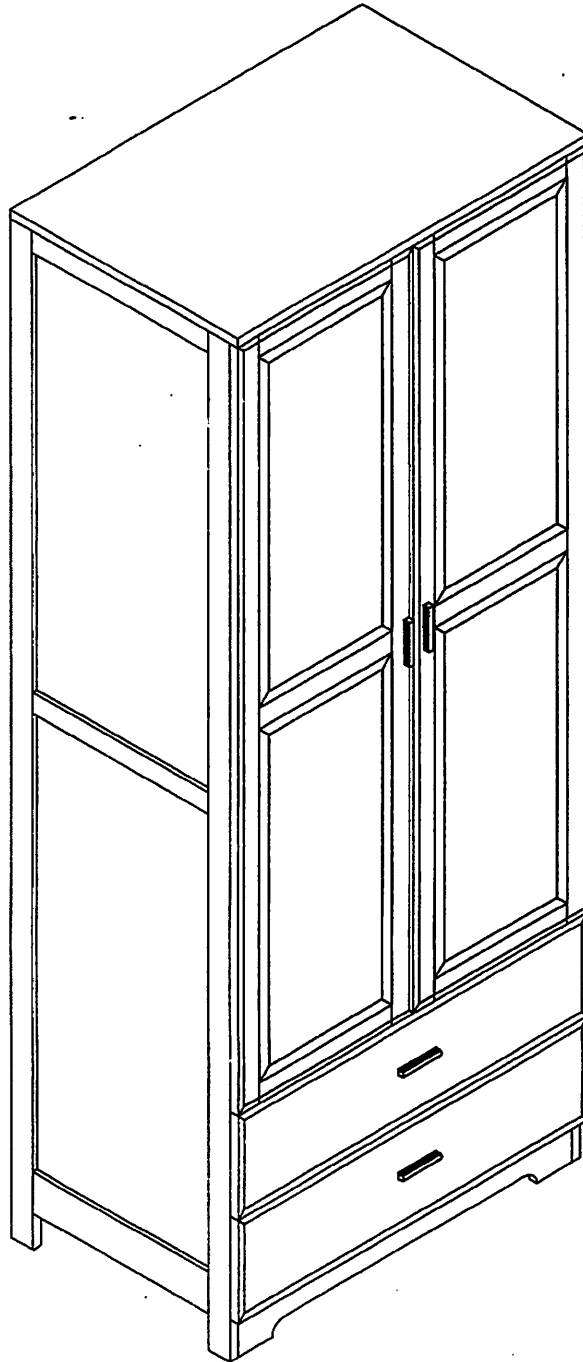
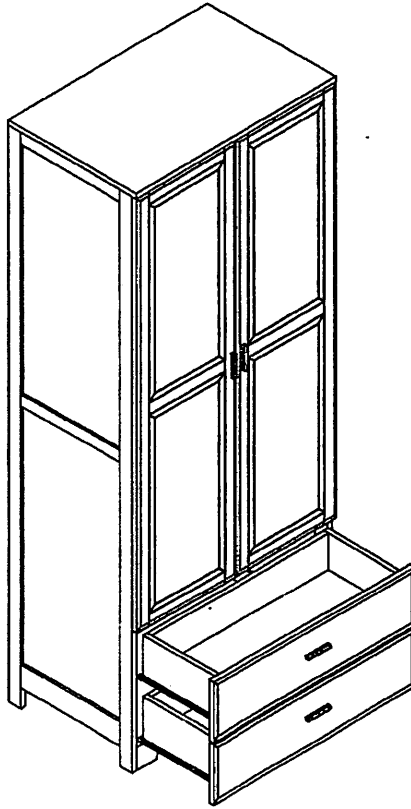


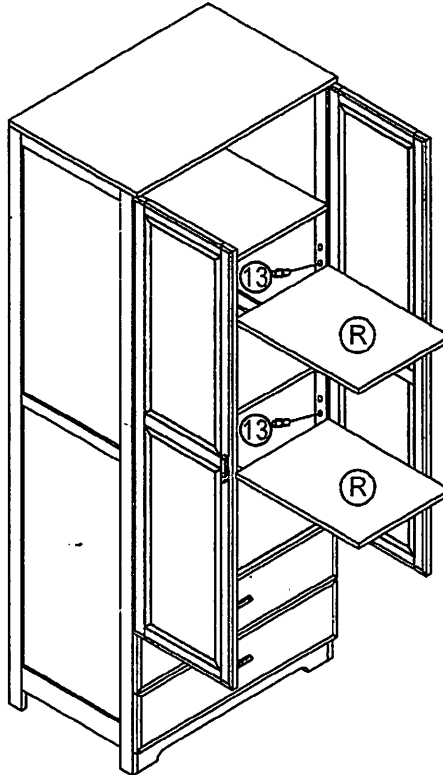
STEP 17



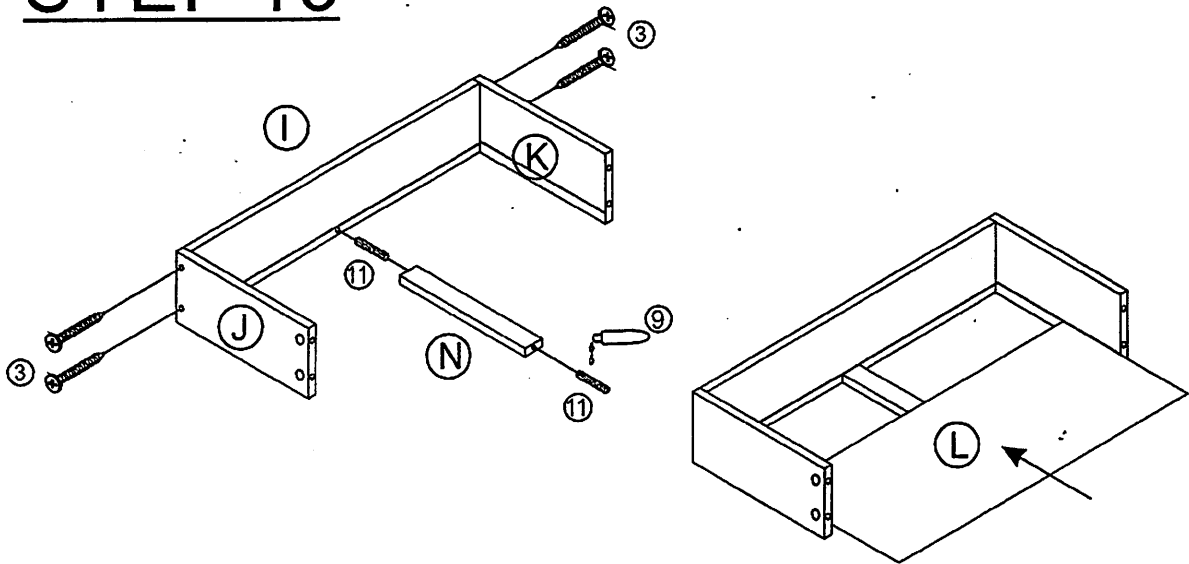
STEP 15



STEP 16

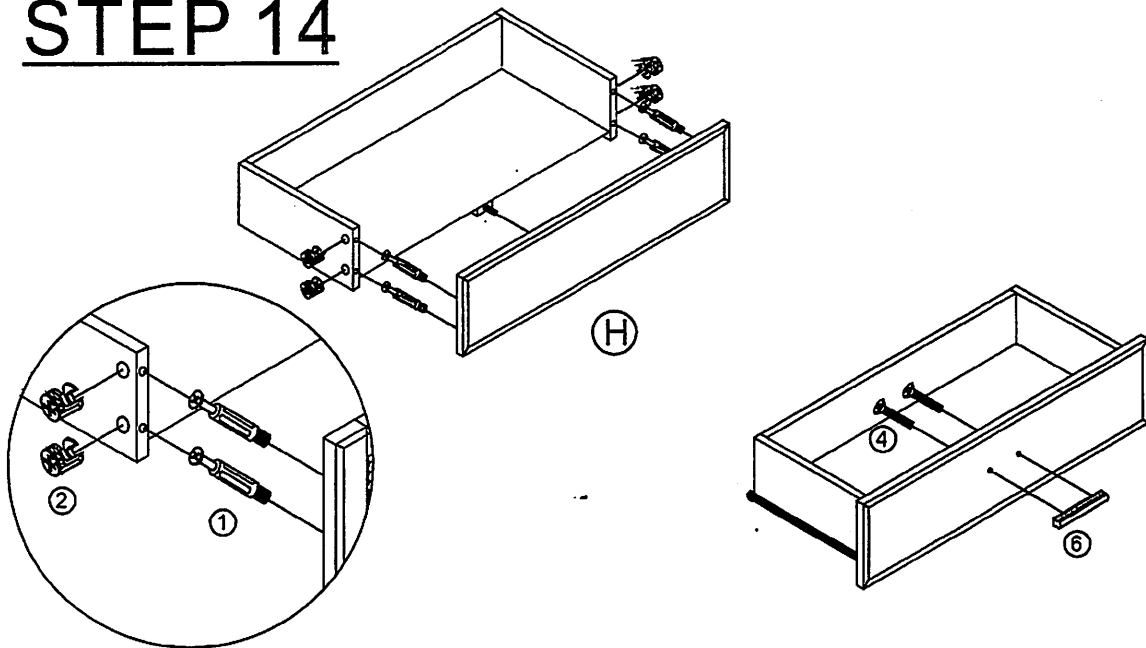


STEP 13



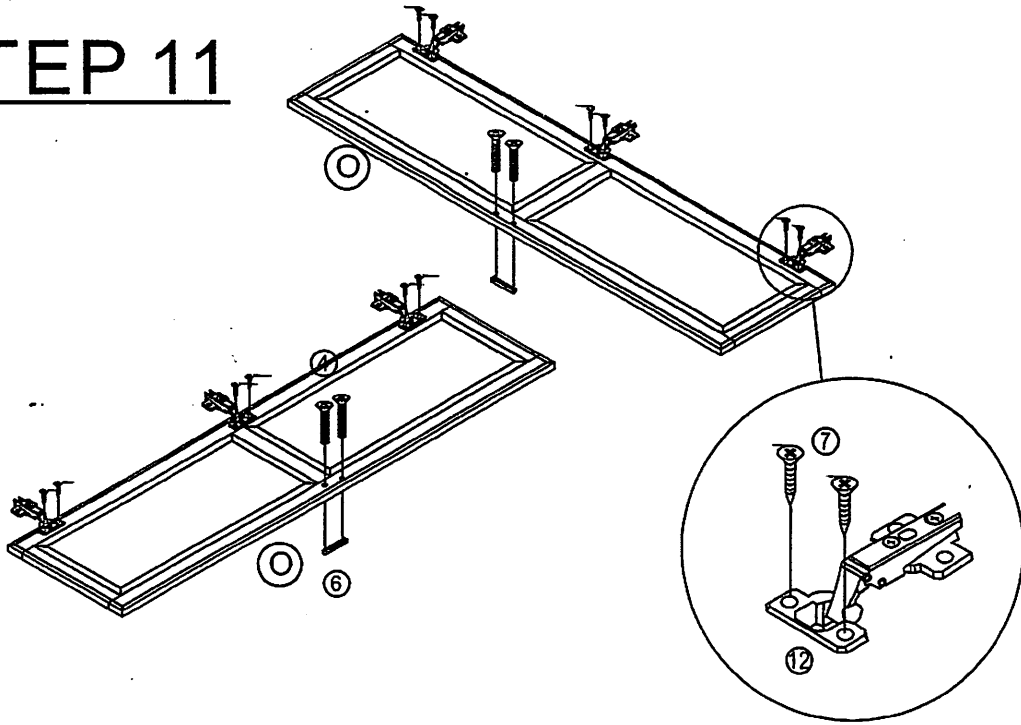
③		Φ1/4" X 1.38"	x4
⑪		Φ1/4" X 1.1/8"	x2
⑨		GLUE	x1

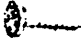


STEP 14



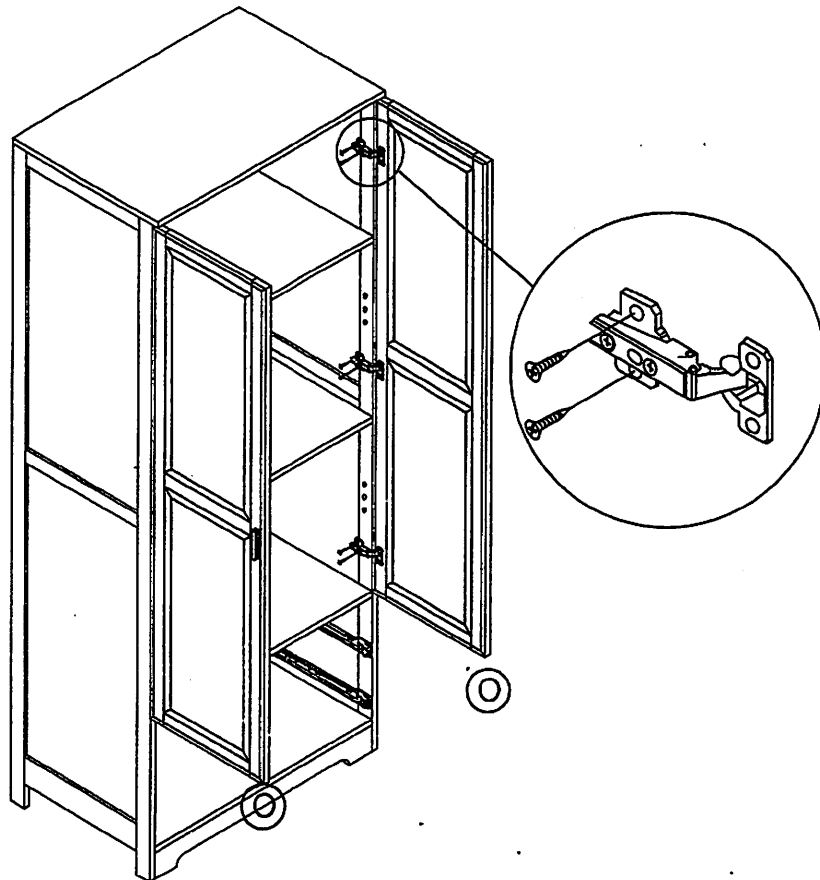
①		Φ1/4" X 1.1/2"	x4
②		Φ1 X 0.43"	x4
④ ⑥		HANDLE	x2

STEP 11

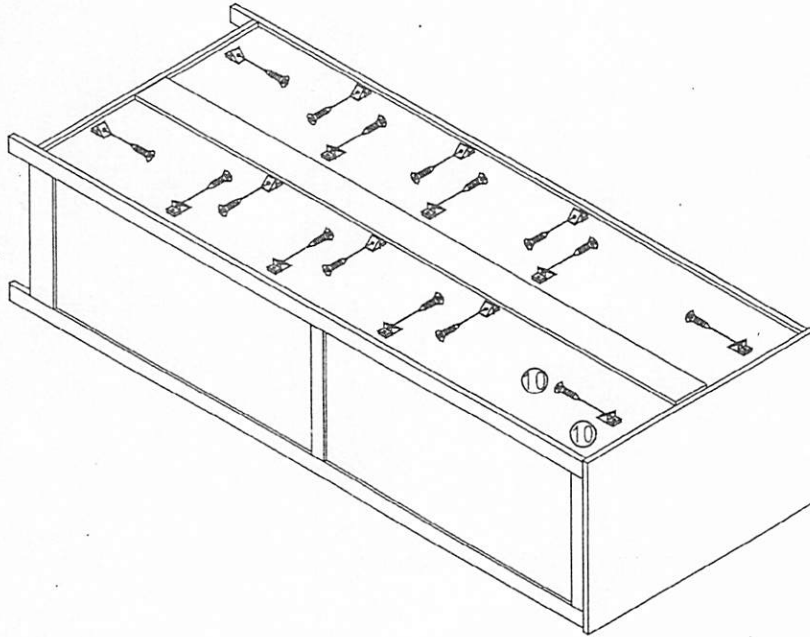



⑦		SCREW	x12
⑫		HINGE	x6
④ ⑥		HANDLE	x2

STEP 12

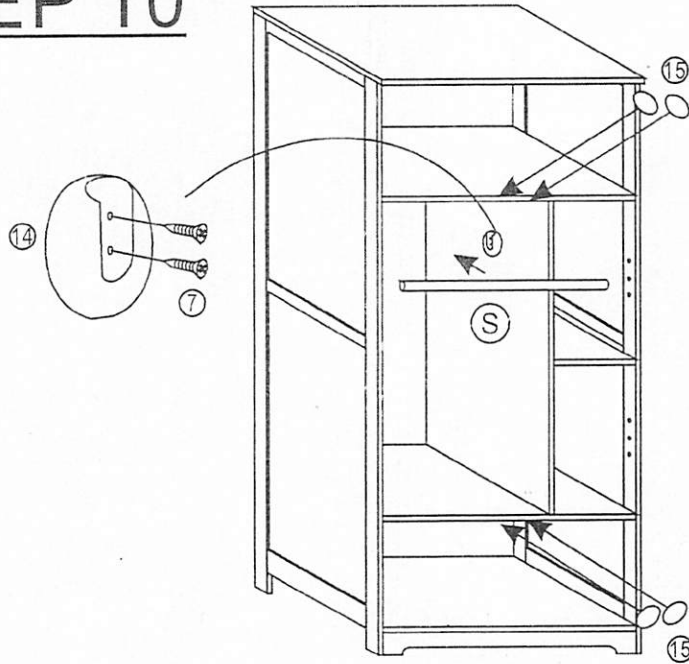


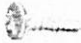


STEP 9



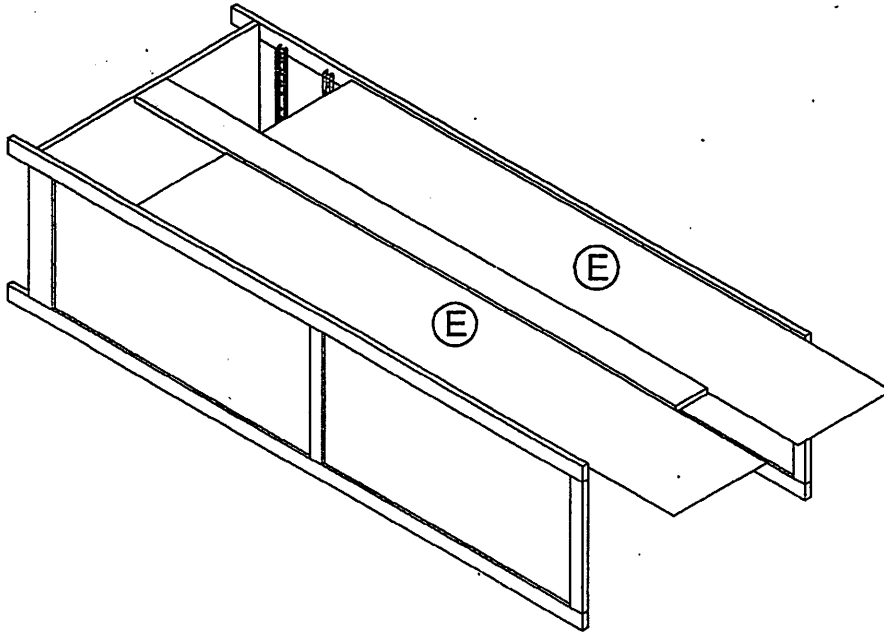
10		SNAP	x16
----	---	------	-----

STEP 10

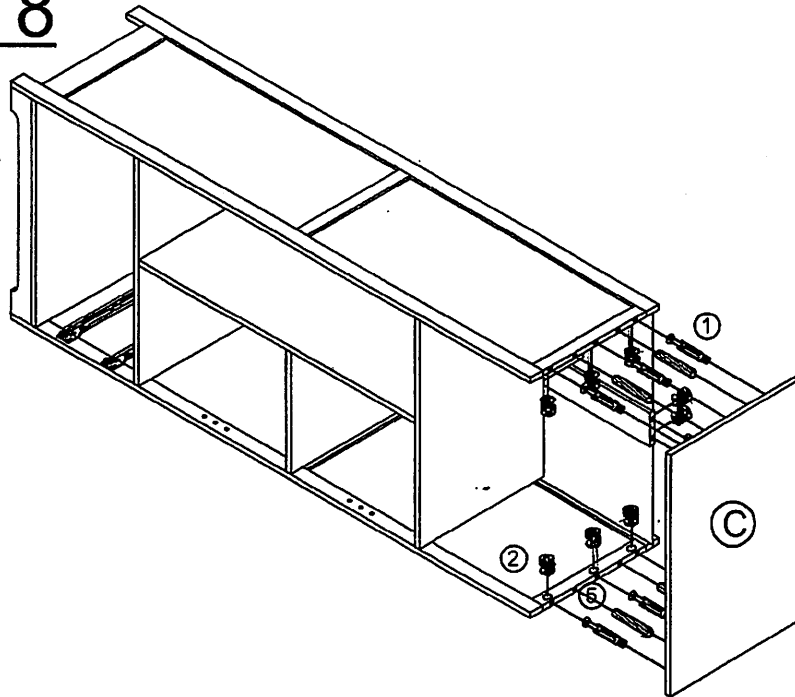




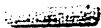
7		SCREW	x4
14		CLOTHES-HOOK	x2
15		Anti-collision sticker	x4

STEP 7

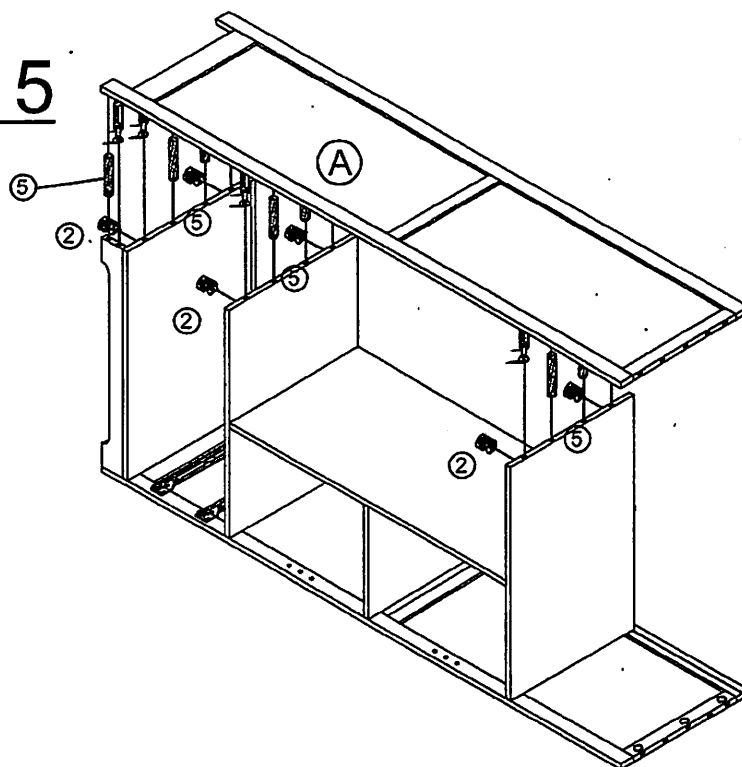



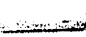
STEP 8



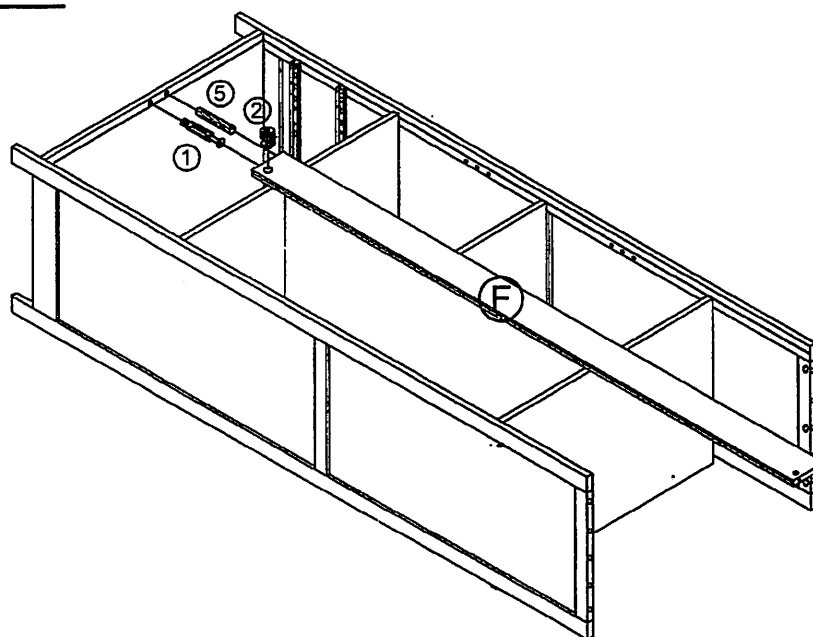
①		$\Phi 1/4'' \times 1.1/2''$	x7
②		$\Phi 1 \times 0.43''$	x7
⑤		$\Phi 0.31 \times 1.1/8''$	x5

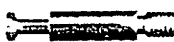

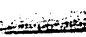
STEP 5



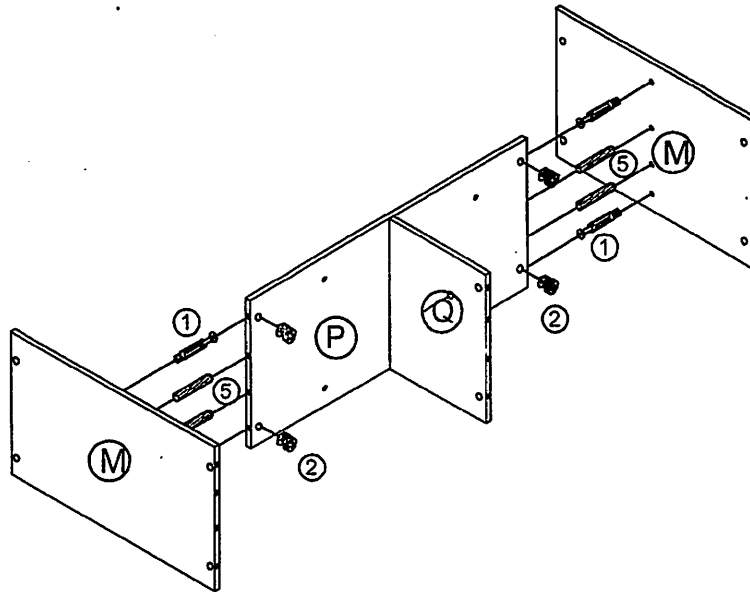
②		Φ1X 0.43"	x7
⑤		Φ0.31X1.1/8"	x7

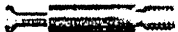


STEP 6



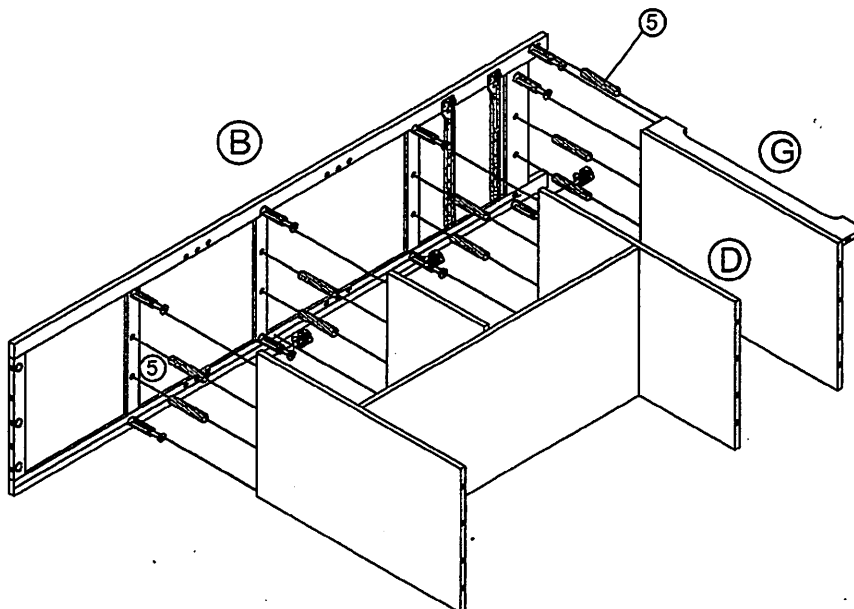
①		Φ1/4" X 1.1/2"	x1
②		Φ1X 0.43"	x1
⑤		Φ0.31X1.1/8"	x1


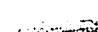
STEP 3



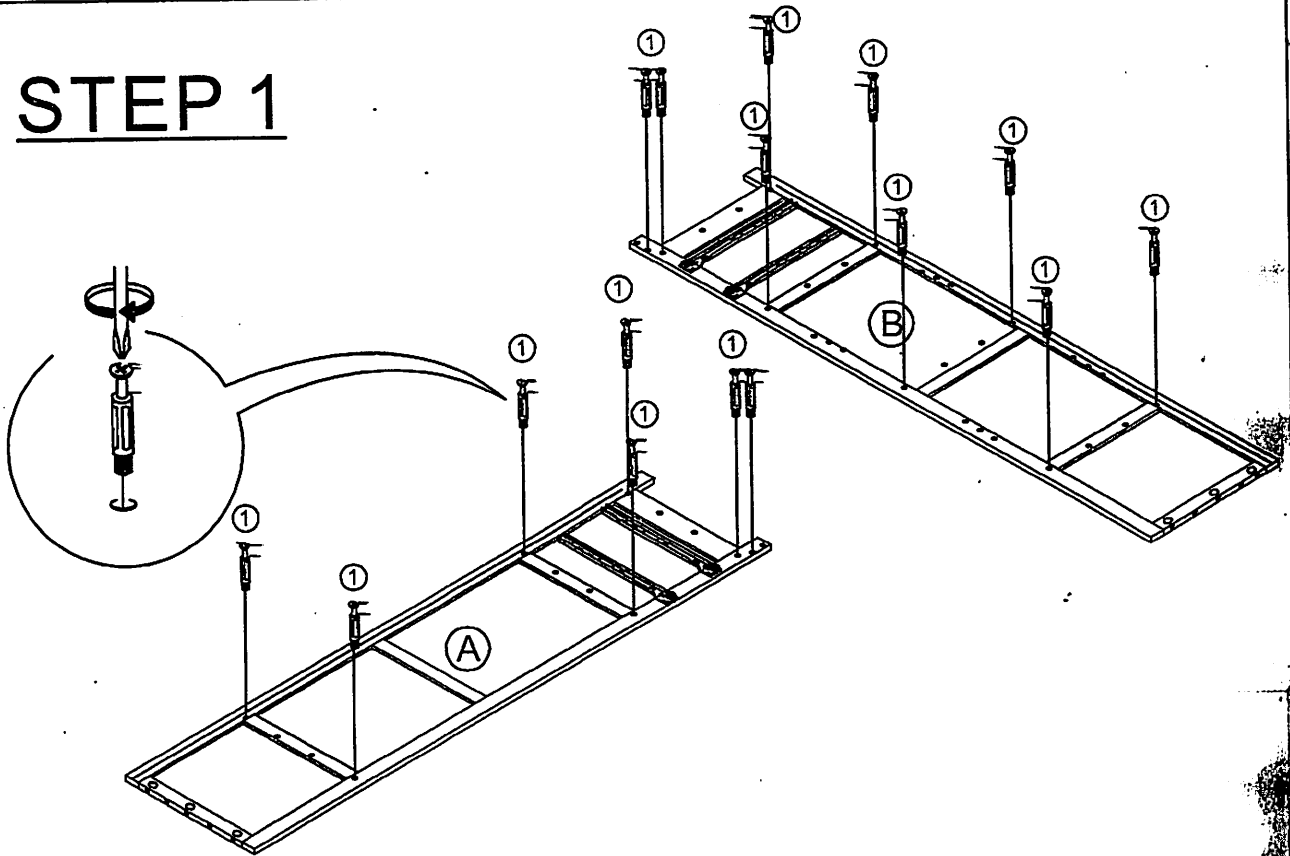
①		$\Phi 1/4'' \times 1.1/2''$	x4
②		$\Phi 1 \times 0.43''$	x4
⑤		$\Phi 0.31 \times 1.1/8''$	x4

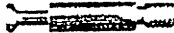
STEP 4



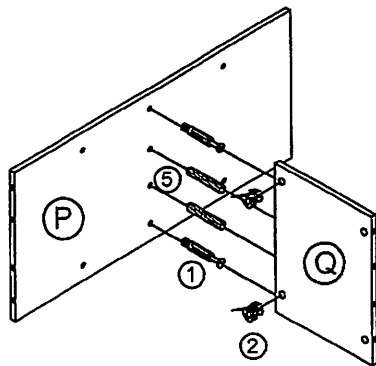
②		$\Phi 1 \times 0.43''$	x9
⑤		$\Phi 0.31 \times 1.1/8''$	x9



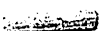
STEP 1

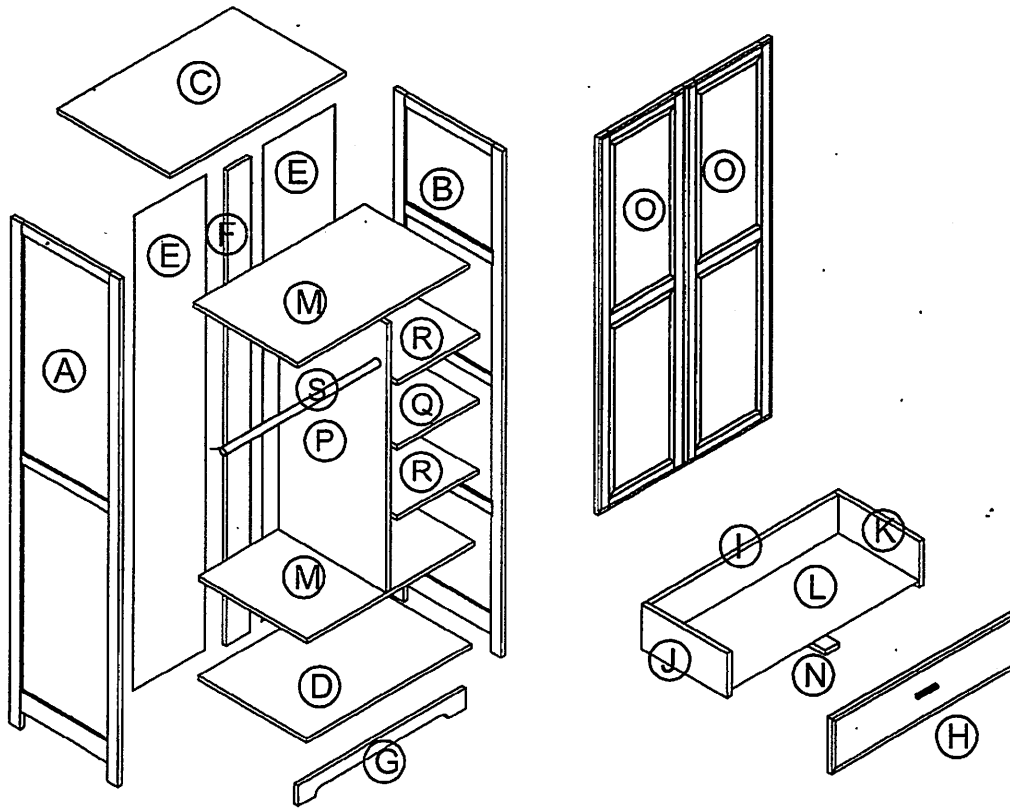


①		$\Phi 1/4'' \times 1.1/2''$	x16
---	---	-----------------------------	-----

STEP 2



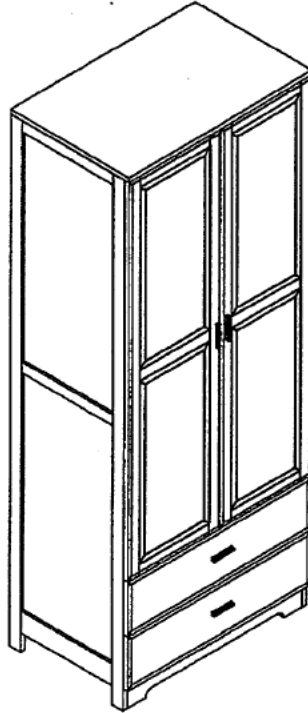
①		$\Phi 1/4'' \times 1.1/2''$	x2
②		$\Phi 1 \times 0.43''$	x2
⑤		$\Phi 0.31 \times 1.1/8''$	x2

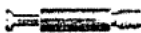

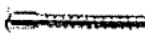




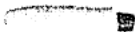








Parts list		
A	Left side panel	1 pc
B	Right side panel	1 pc
C	Top panel	1 pc
D	Bottom panel	1 pc
E	Back panel	2 pcs
F	Center support	1 pc
G	Kick plate	1 pc
H	Drawer fronts	2 pcs
I	Drawer back panels	2 pcs
J	Left drawer side panels	2 pcs
K	Right drawer side panels	2 pcs
L	Drawer bottom panels	2 pcs
M	Shelf board	2 pcs
N	Drawer bottom support	2 pcs
O	Cabinet door	2 pcs
P	Neutral board	1 pc
Q	Fixed shelf	1 pc
R	Movable shelf	2 pcs
S	Clothes rail	1 pc

ASSEMBLY INSTRUCTIONS

CLOSET WITH RAISED DOOR



①		$\Phi 1/4'' \times 1.1/2''$	x38
②		$\Phi 1 \times 0.43''$	x38
③		$\Phi 1/4'' \times 1.38''$	x8
④ ⑥		HANDLE	x4
⑤		$\Phi 0.31 \times 1.1/8''$	x28
⑦		$\Phi 1/8'' \times 1.1/2''$	x16
⑧		SCREWDRIVER	x1
⑨		GLUE	x1
⑩		SNAP	x16
⑪		$\Phi 1/4'' \times 1.1/8''$	x4
⑫		HINGE	x6
⑬		SHELF SUPPORT PIN	x8
⑭		CLOTHES-HOOK	x2
⑮		Anti-collision sticker	x4