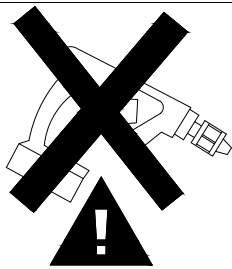
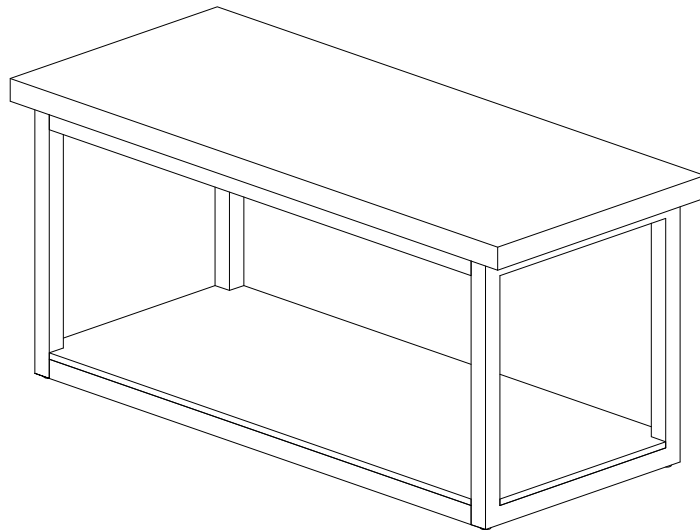
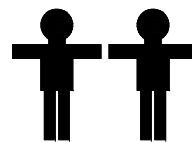


ASSEMBLY INSTRUCTION

BENCH

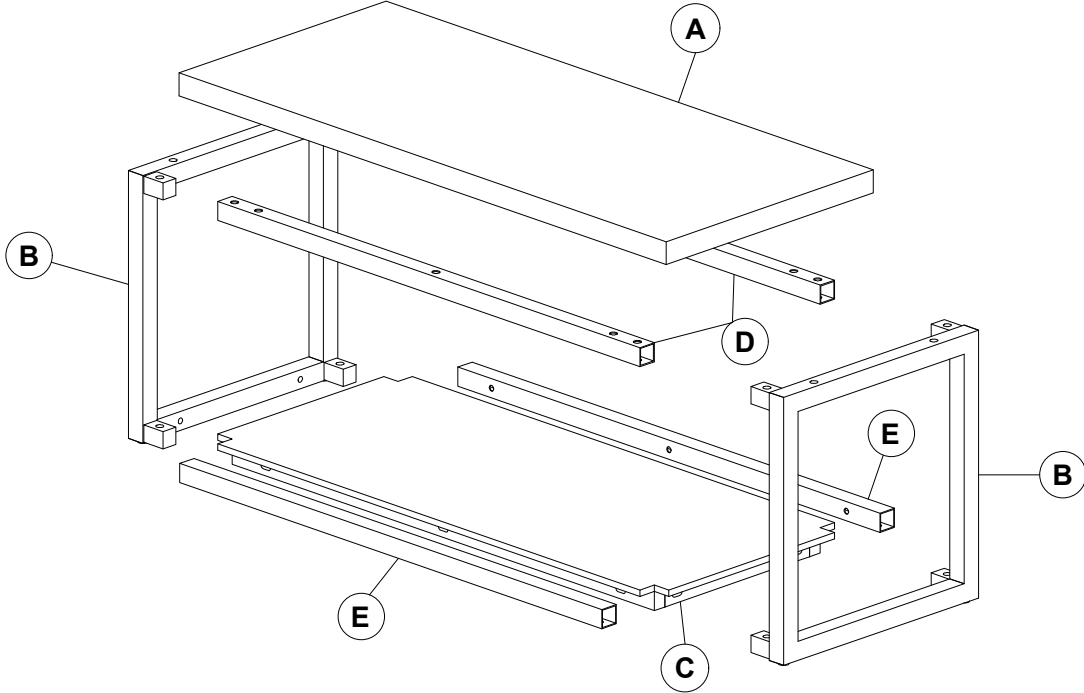


. Use of power tool to assemble this product will invalidate any claim and damage this product making it unsafe !!!
. Please assemble on a clean soft surface to avoid damage.




30 minutes


Part list-Claremont Coffee Table




Identifying the hardware-Identify the hardware using the illustrations below

F  **08**
M6x15MM BOLT

G  **10**
M6x35MM BOLT

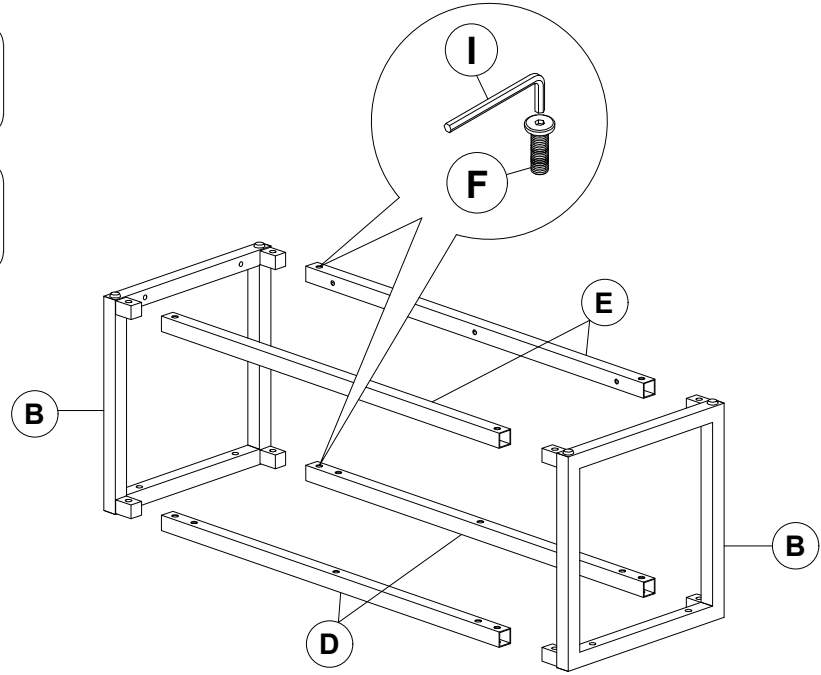
H  **10**
M6x45MM BOLT

I  **01**

Step 01

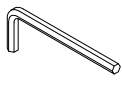
F  **08**
M6x15MM BOLT

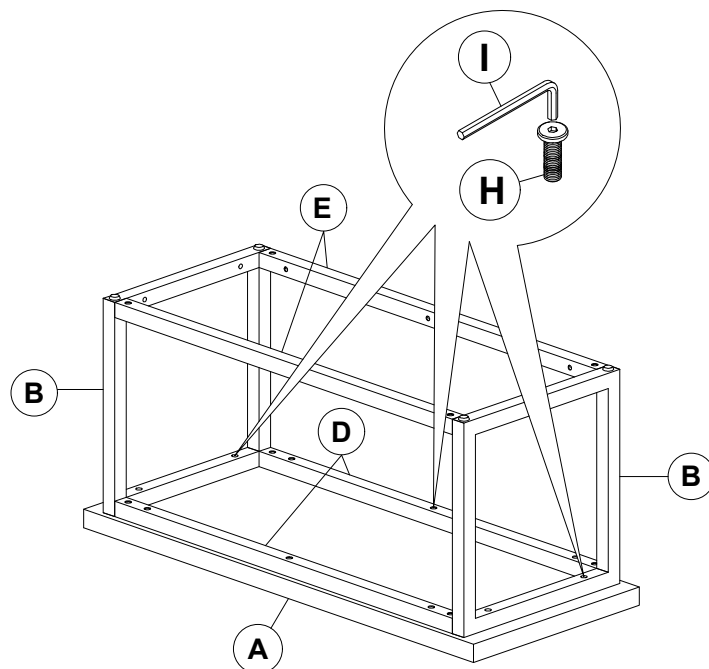
I  **01**




Step 02


H  **10**
M6x45MM BOLT

I  **01**



Step 03

G  **10**
M6x35MM BOLT

I  **01**

