

ASSEMBLY INSTRUCTION

Thank you for purchasing this product. Please take time to read and follow instructions below. Check that you have all parts and hardware before assembly. Parts apparently missing are often found in packing materials. If you do not have all parts listed, call us and they be sent to you immediately



It is recommended to install protective pads under all legs and supports to avoid damage or scratches when placing furniture on a wood floor or other hard surface, and to limit indentation and prevent discoloration if placing on carpet.

HARDWARE LIST

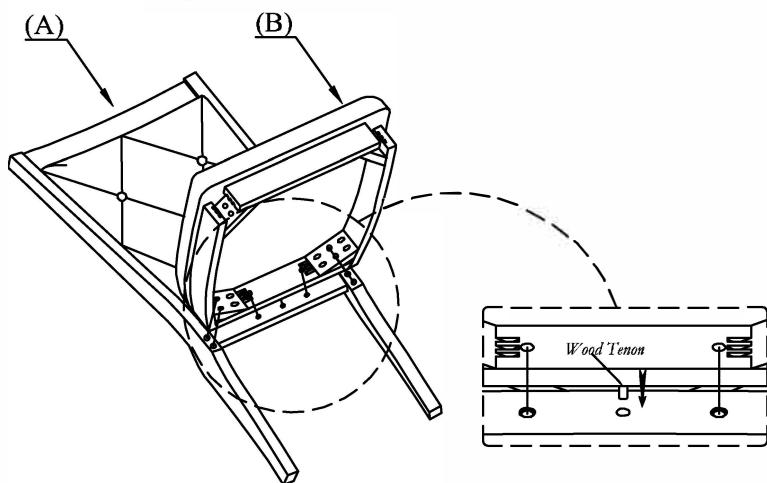
NO.	DESCRIPTION	DRAWING	Q'TY
1	BOLT $\varnothing 1/4"$ -30 x 1-1/2"		2PCS
2	BOLT $\varnothing 1/4"$ -50 x 2-1/2"		4PCS
3	BOLT $\varnothing 1/4"$ -60 x 3"		4PCS
4	LOCK WASHER $\varnothing 1/4"$ x9/32" x 1/2"x 0.08"		12PCS
5	FLAT WASHER $\varnothing 1/4"$ x9/32" x 5/8"x 0.08"		12PCS
6	ALLEN KEY 1/6" x 2-1/4"		1PC
7	BOLT $\varnothing 1/4"$ -35 x 1-3/4"		2PCS
8	SCREW/VIS $\varnothing 8$ x $\varnothing 4$ x 45mm		2PCS

PARTS LIST

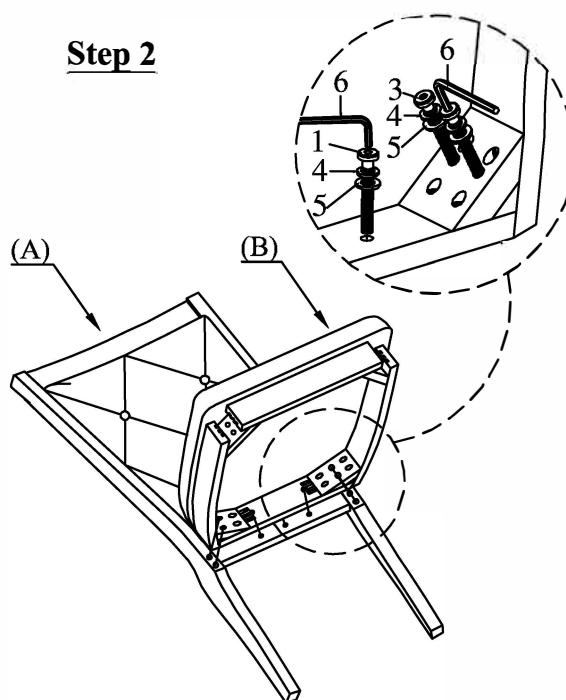
A		CHAIR BACK	1PC
B		SEAT FRAME WITH CUSHION	1PC
C		LEG	2PCS
D		ARM (L+R)	2PCS

Step 1

HARDWARE SET ARE PACKED IN 1928A



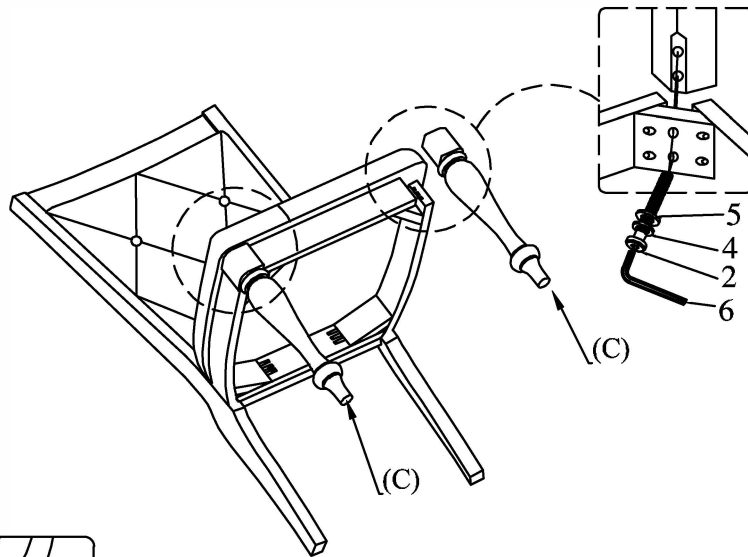
Step 2



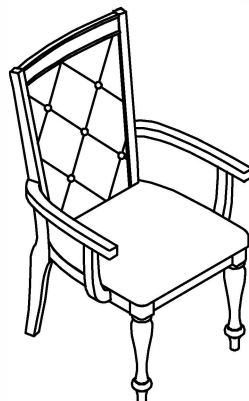
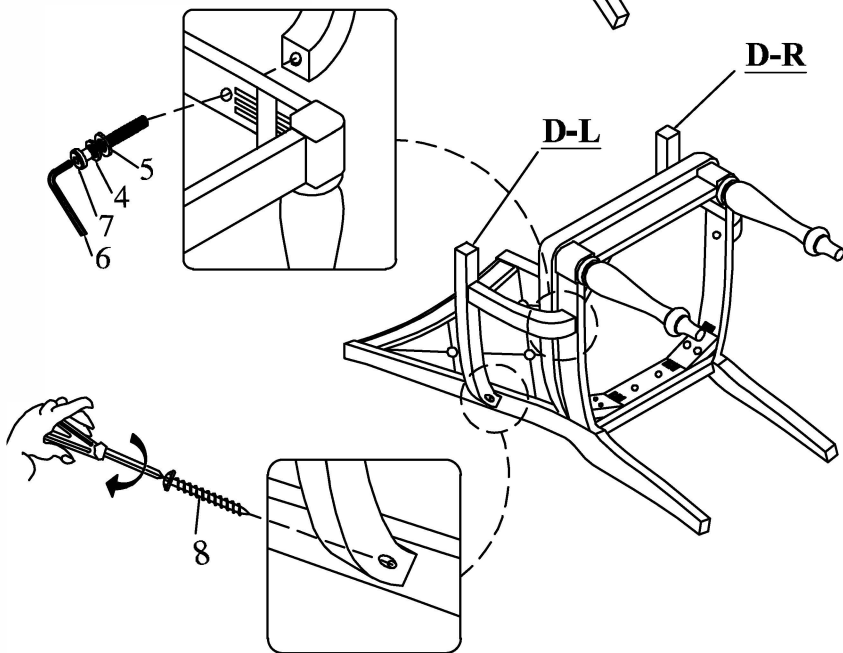
DO NOT TIGHTEN BOLTS UNTIL COMPLETELY ASSEMBLED.

ASSEMBLY INSTRUCTION

Step 3



Step 4



ASSEMBLY COMPLETED

DO NOT TIGHTEN BOLTS UNTIL COMPLETELY ASSEMBLED.