

Thank You For Your Purchase

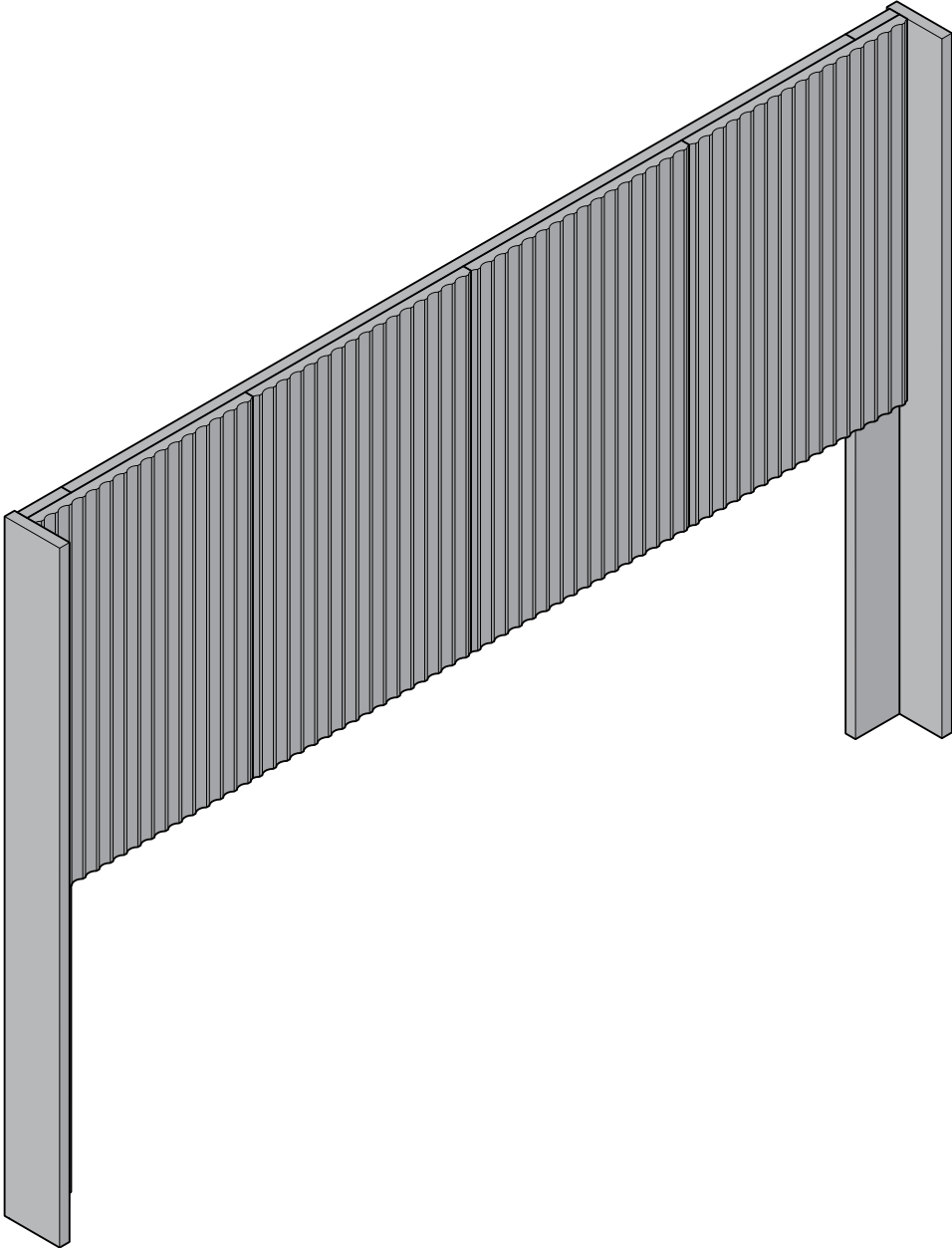
We hope that this product will help make your home beautiful.

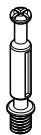

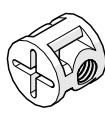


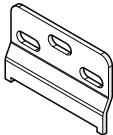
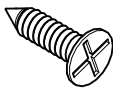


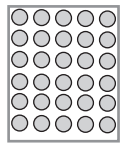
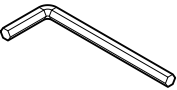
We strive to provide great customer service and want to make sure you are completely satisfied. If you have any questions or comments, we'd

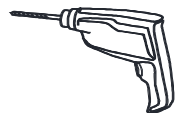
love to hear from you! please be free to email us :

support@Jindoli.fr

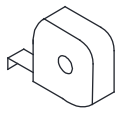
Thanks again for shopping with us!



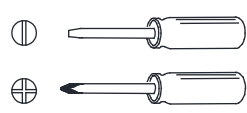
 Ax8	 Bx14	 Cx6	 Dx6	 Ex12	 Fx6	 Gx6 4*14	 Hx16	
 Ix6	 Jx1	 Kx1						



Drill



Measuring tape



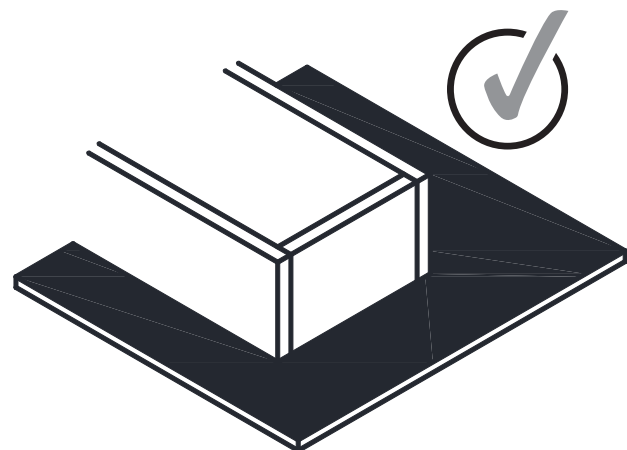
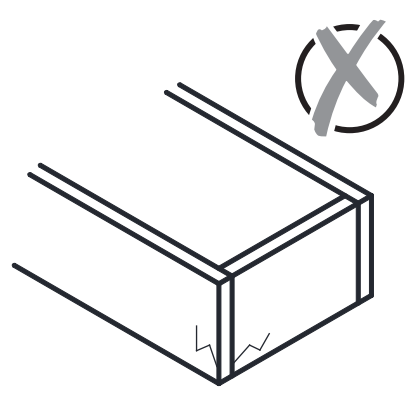
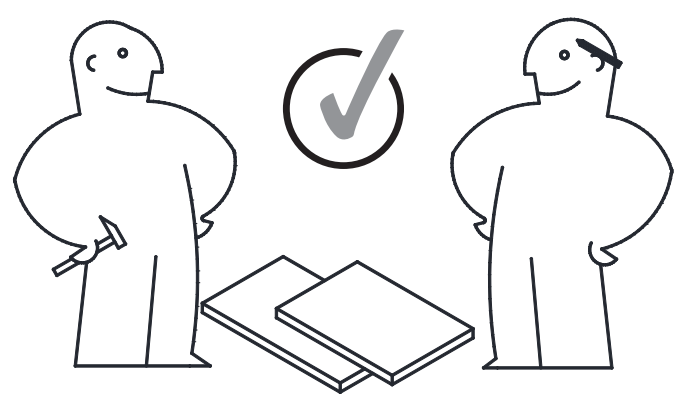
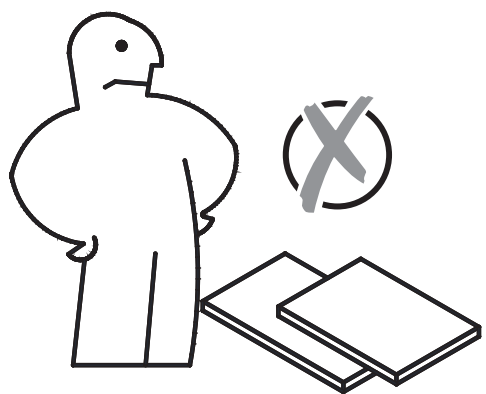
Screwdriver

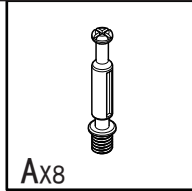
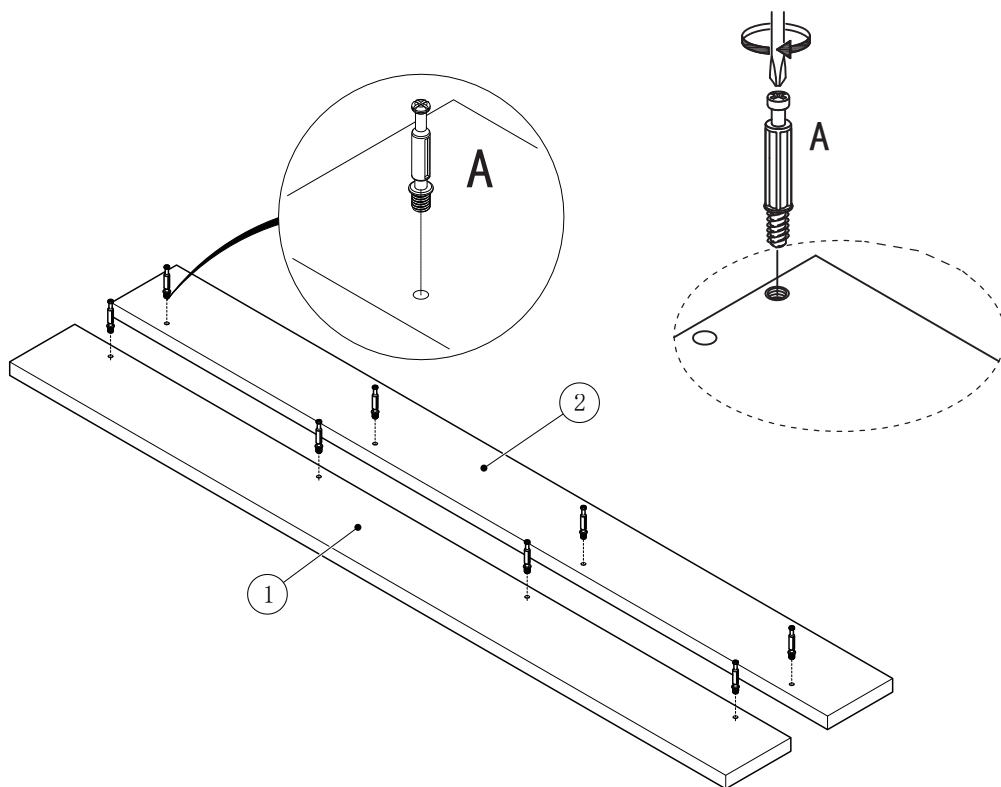
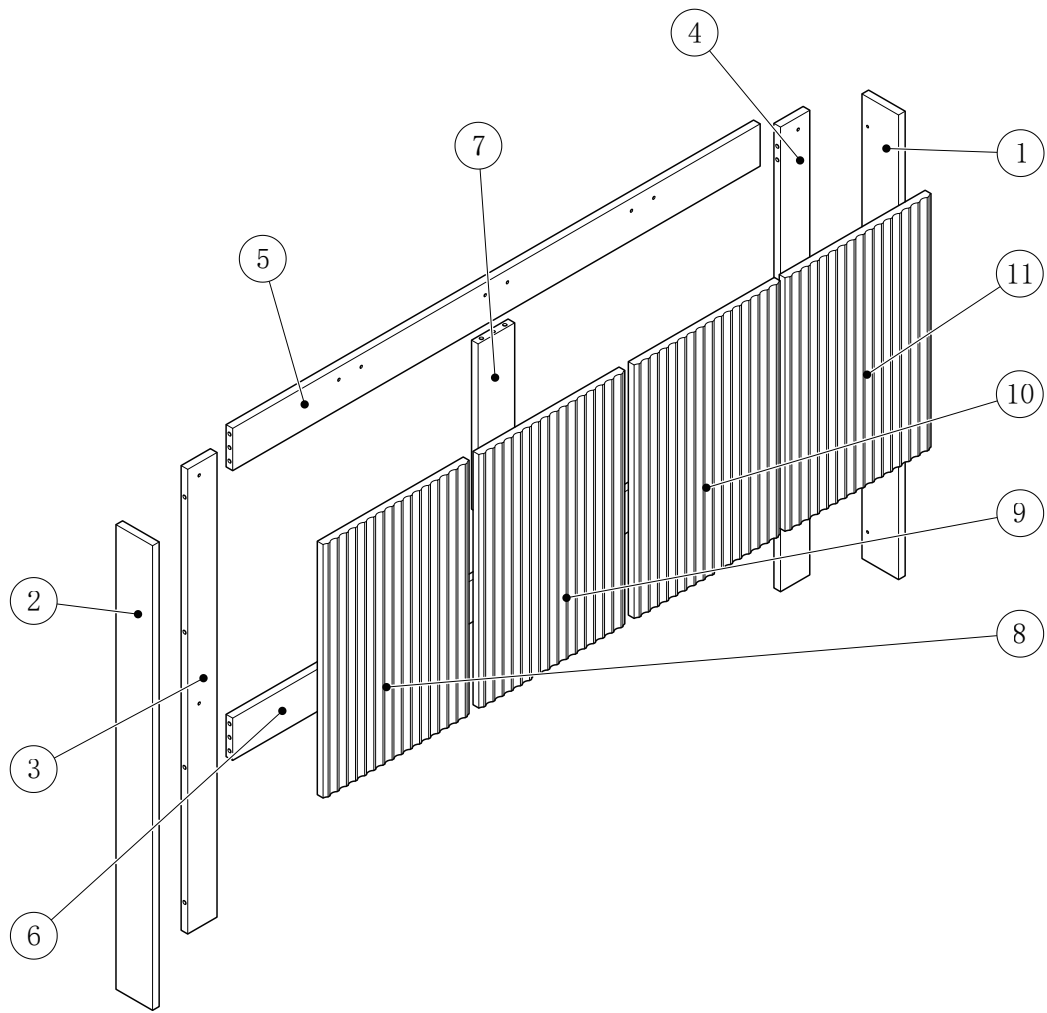


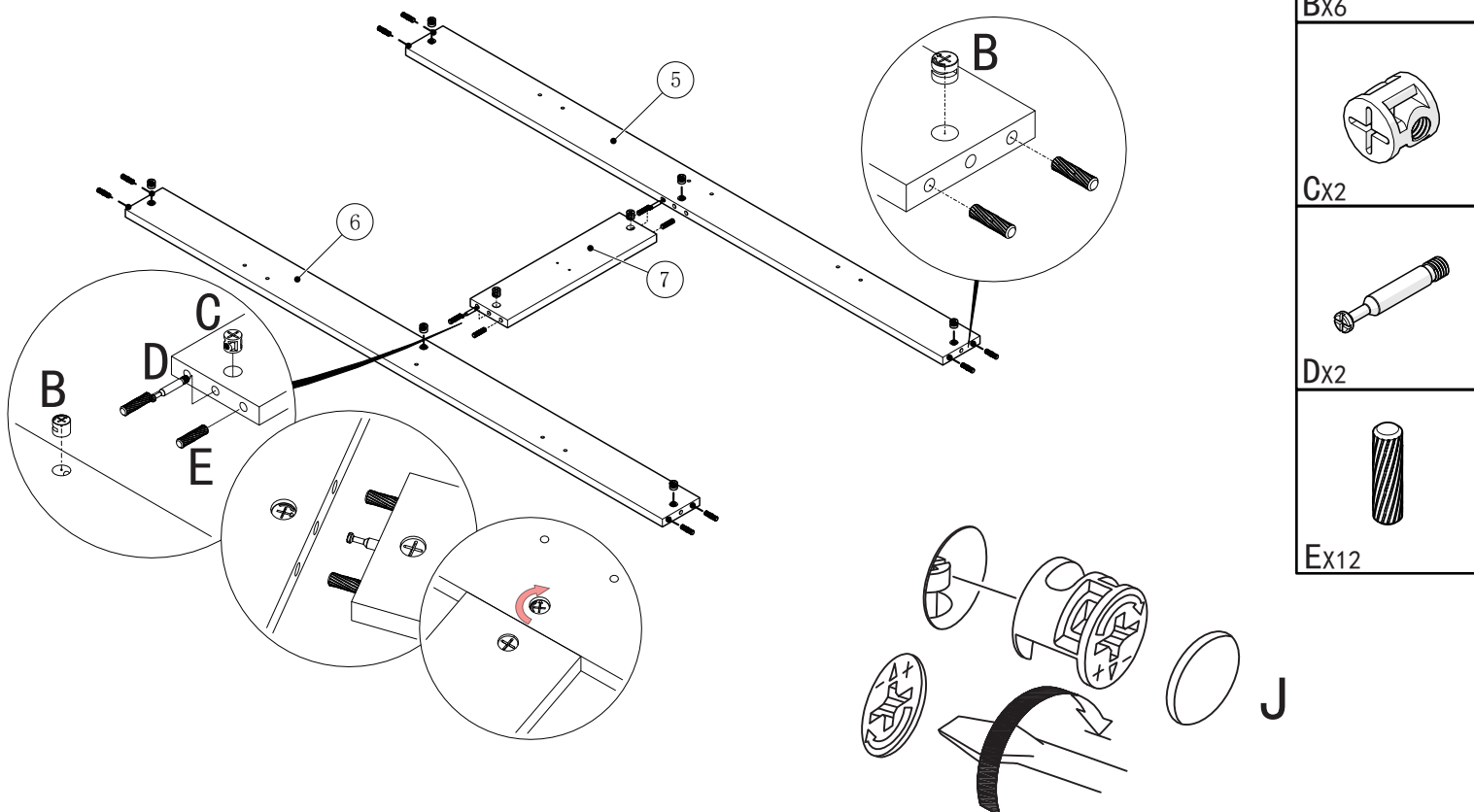
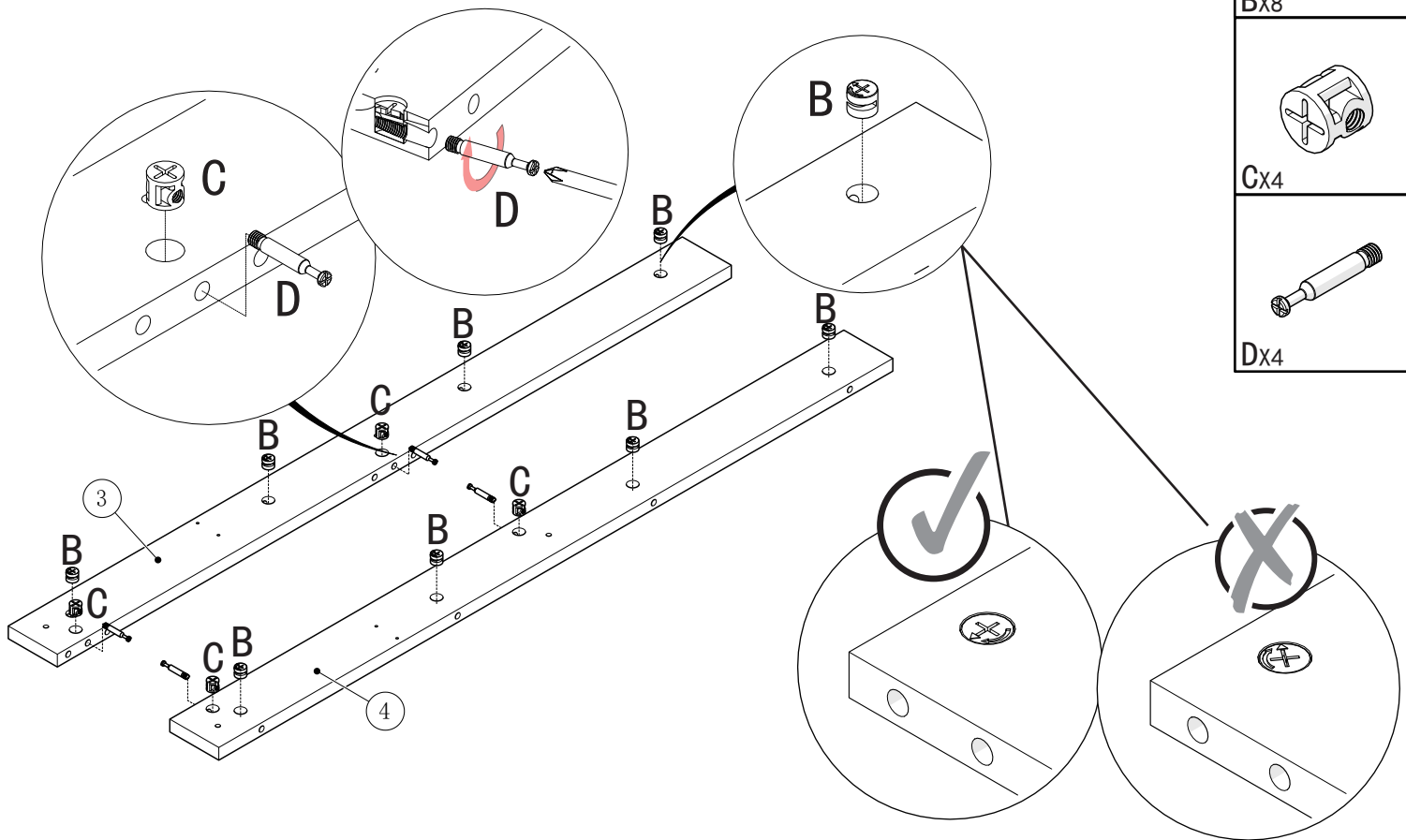
pencil

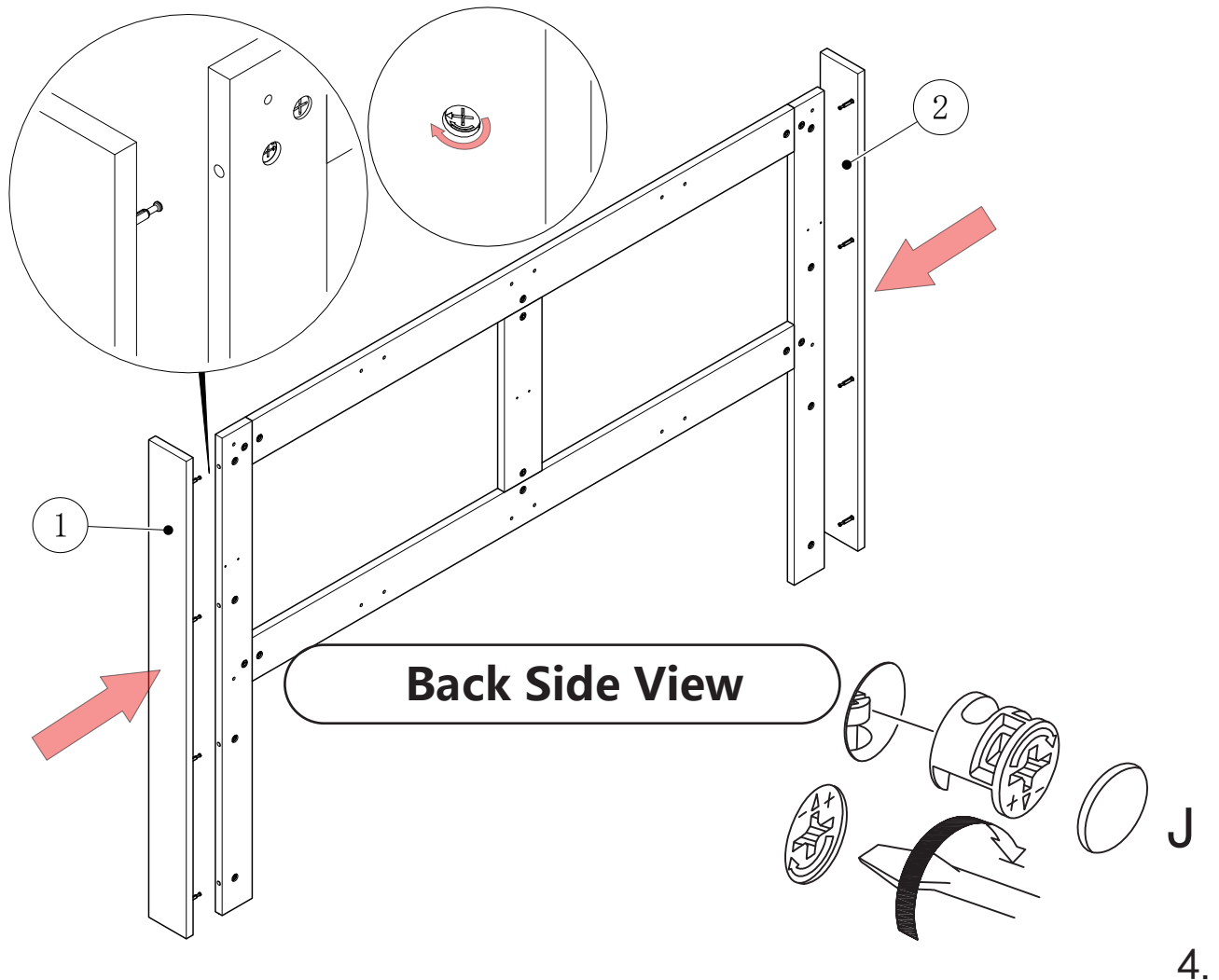
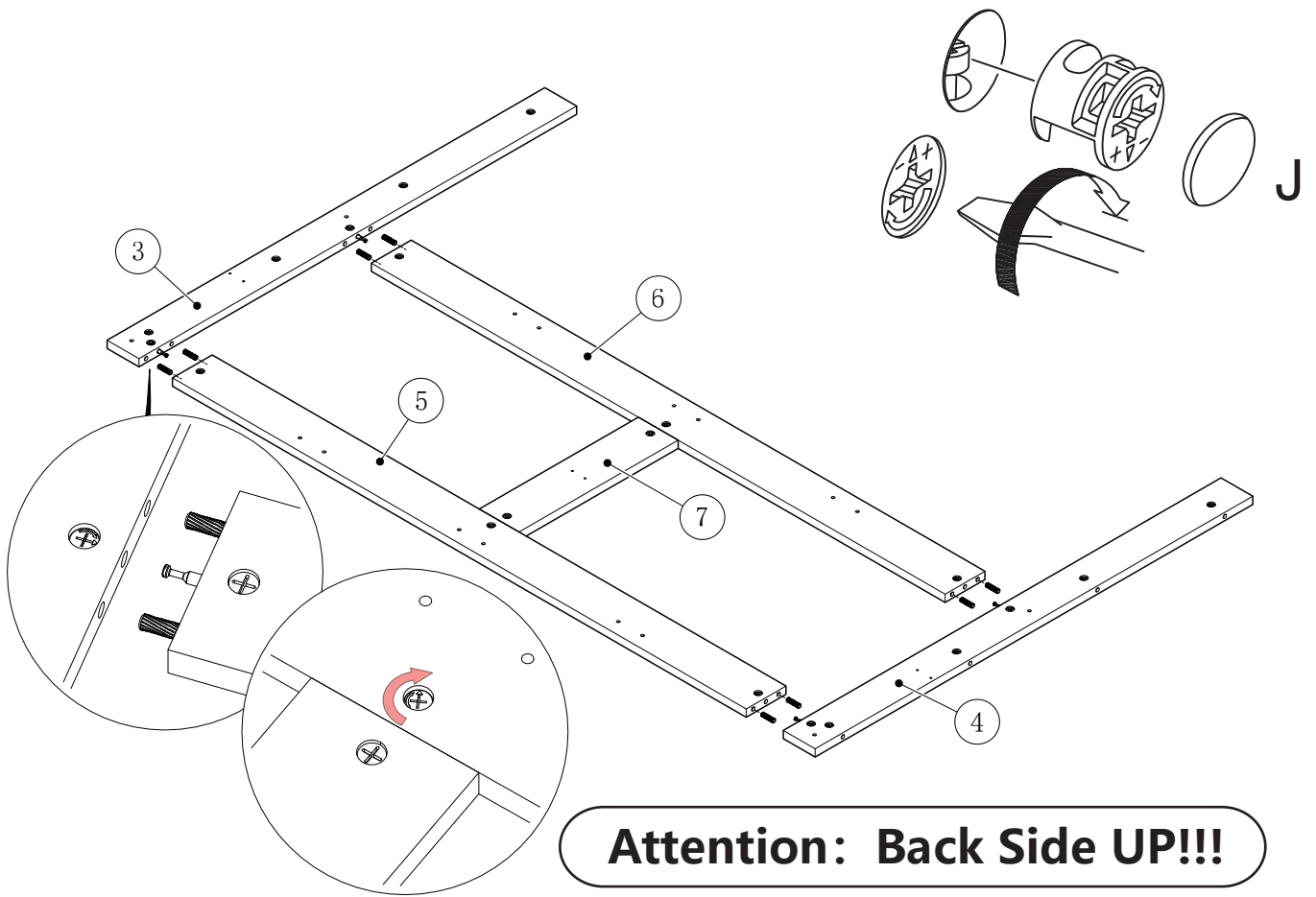


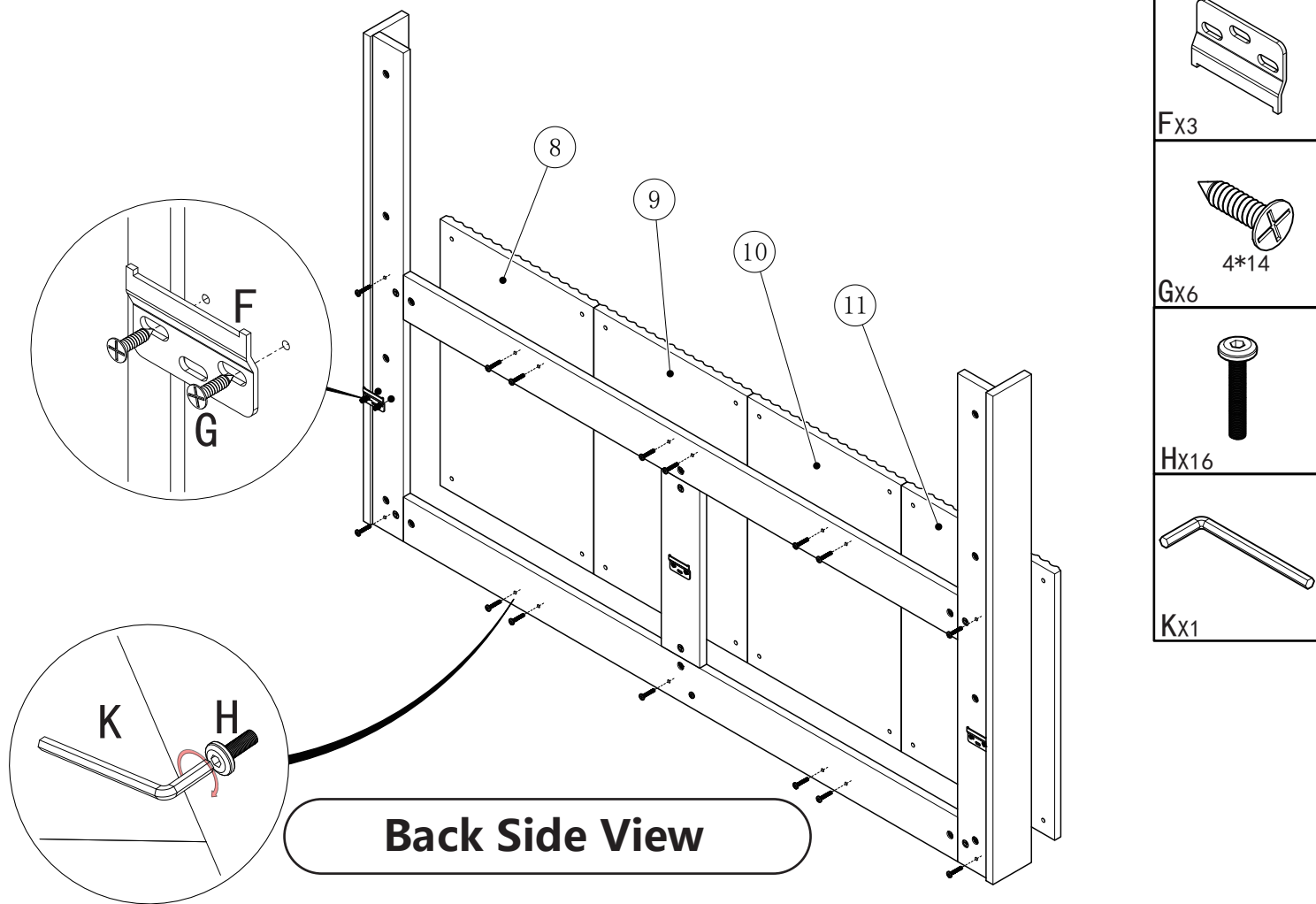
Level











Back Side View

WALL CABINET INSTALLATION

STEP 1: SELECT HARDWARE THAT IS BEST SUITED FOR YOUR WALL TYPE

IMPORTANT: USE "PAN HEAD" OR "ROUND HEAD" SCREWS WITH SEAT WASHERS. SEAT SCREWS TIGHTLY AGAINST BACK RAIL OR PANEL WITHOUT DRIVING INTO BACK RAIL OR PANEL MATERIAL.

PASO 1: INSTALACION DE GABINETES, SELECCIONE LA HERRAJERIA QUE MAS SE ADECUA AL TIPO DE SU PARED.

IMPORTANTE: USA TORNILLOS DE "CABEZA PLANA BISELADA" O "CABEZA REDONDA" CON ARANDELAS DE ASENTO. COLOCA LOS TORNILLOS FIRMEMENTE CONTRA EL PANEL O EL RIEL TRASERO SIN INSERTARLOS EN EL PANEL O EL RIEL.

STUDS STUDES: Secure to wall with #10 x 3" screws at stud location. Locate at least 2 wall studs

MONTANTES: Fjelo a la pared con tornillos de # 10 x 3 pulgadas en los montantes.

Use at least 4 wall anchors when installing a 24" and 30" cabinet. Use at least 6 wall anchors when installing a 36" and 48" cabinet.

CONCRETE: Drill 1/4" holes, insert #10 wall anchors and secure to wall with #10 x3" screws.

CONCRETO: Taladre orificios de 1/4 pulgada, inserte anclas de expansión de #10 y fjelo a la pared con tornillos de # 10 x 3 pulgadas.

DRYWALL: Drill holes and secure to the wall with toggle bolts. Note: Use toggle bolts only when cabinet cannot be attached to a wall stud.

PANEL DE YESO: Taladre los orificios y fije la unidad a la pared con pernos acodillados. Nota: Use pernos acodillados sólo cuando el gabinete no se pueda fijar a los montantes de pared.

